



US00D841624S

(12) **United States Design Patent**  
**Nicolas et al.**

(10) **Patent No.:** **US D841,624 S**  
(45) **Date of Patent:** **\*\* Feb. 26, 2019**

(54) **LOUDSPEAKER INCLUDING MOUNTAIN BRACKET**

D356,568 S \* 3/1995 Ichikawa ..... D14/209  
5,502,772 A 3/1996 Felder  
D389,483 S \* 1/1998 Christie ..... D14/214

(Continued)

(71) Applicant: **Bosch Security Systems, Inc.**, Fairport, NY (US)

(72) Inventors: **Edgar Nicolas**, St. Cloud, MN (US);  
**Darin Stephenson**, Montrose, MN (US)

(73) Assignees: **Bosch Security Systems, Inc.**, Fairport, NY (US); **Robert Bosch GmbH**, Stuttgart (DE)

(\*\*) Term: **15 Years**

(21) Appl. No.: **29/605,413**

(22) Filed: **May 25, 2017**

(51) **LOC (11) Cl.** ..... **14-03**

(52) **U.S. Cl.**  
USPC ..... **D14/214; D14/209**

(58) **Field of Classification Search**  
USPC ..... D14/214, 209, 204, 207, 215, 216, 217;  
181/144-148, 150, 199; 381/395, 386,  
381/388, 389; 455/344-351; D8/356;  
248/292.12, 288.11  
CPC .... H04R 1/02; H04R 7/00; H05K 5/00; A47F  
5/00; E04G 3/00

See application file for complete search history.

(56) **References Cited**

**U.S. PATENT DOCUMENTS**

D242,477 S \* 11/1976 Croup ..... D21/588  
D248,023 S \* 5/1978 Minozzi ..... D14/214  
4,130,174 A 12/1978 Ostrander et al.  
D256,914 S \* 9/1980 Rams ..... D14/211  
4,325,529 A 4/1982 Seebinger  
4,917,212 A \* 4/1990 Iwaya ..... B60R 11/0217  
181/141  
D335,130 S 4/1993 Rozier  
D336,474 S 6/1993 Hall

**OTHER PUBLICATIONS**

Amazon-Polk Audio Speakers, announced Nov. 5, 2010 (date first available)[online] [site visited Feb. 2, 2017], Available from internet, Url:<<https://www.amazon.co.uk/Polk-Audio-Atrium-Speakers-White/dp/Boo378KMG4>> (Year: 2010).\*

(Continued)

*Primary Examiner* — Paula Allen Greene

(74) *Attorney, Agent, or Firm* — Kelly McGlashen;  
Maginot Moore & Beck LLP

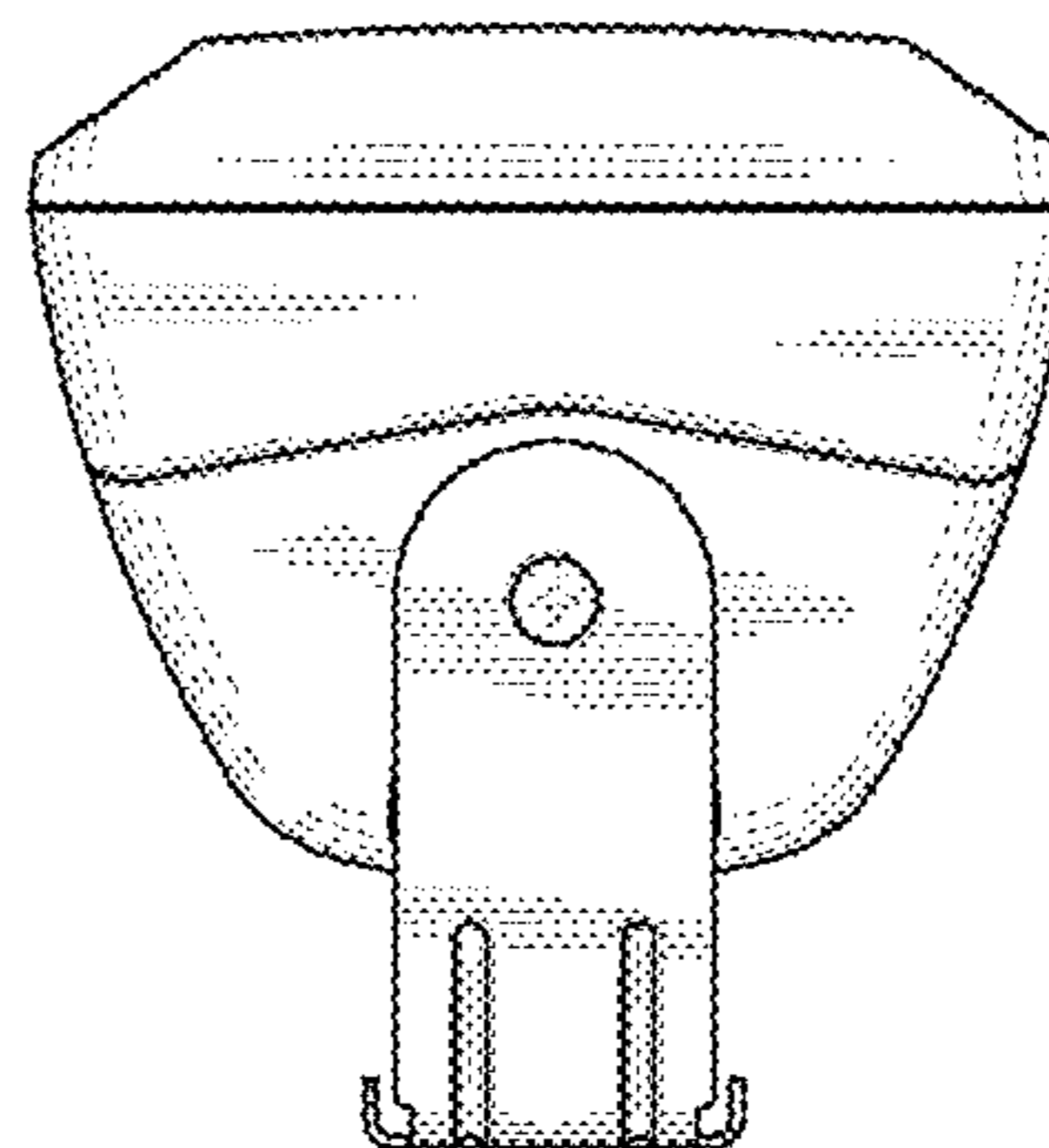
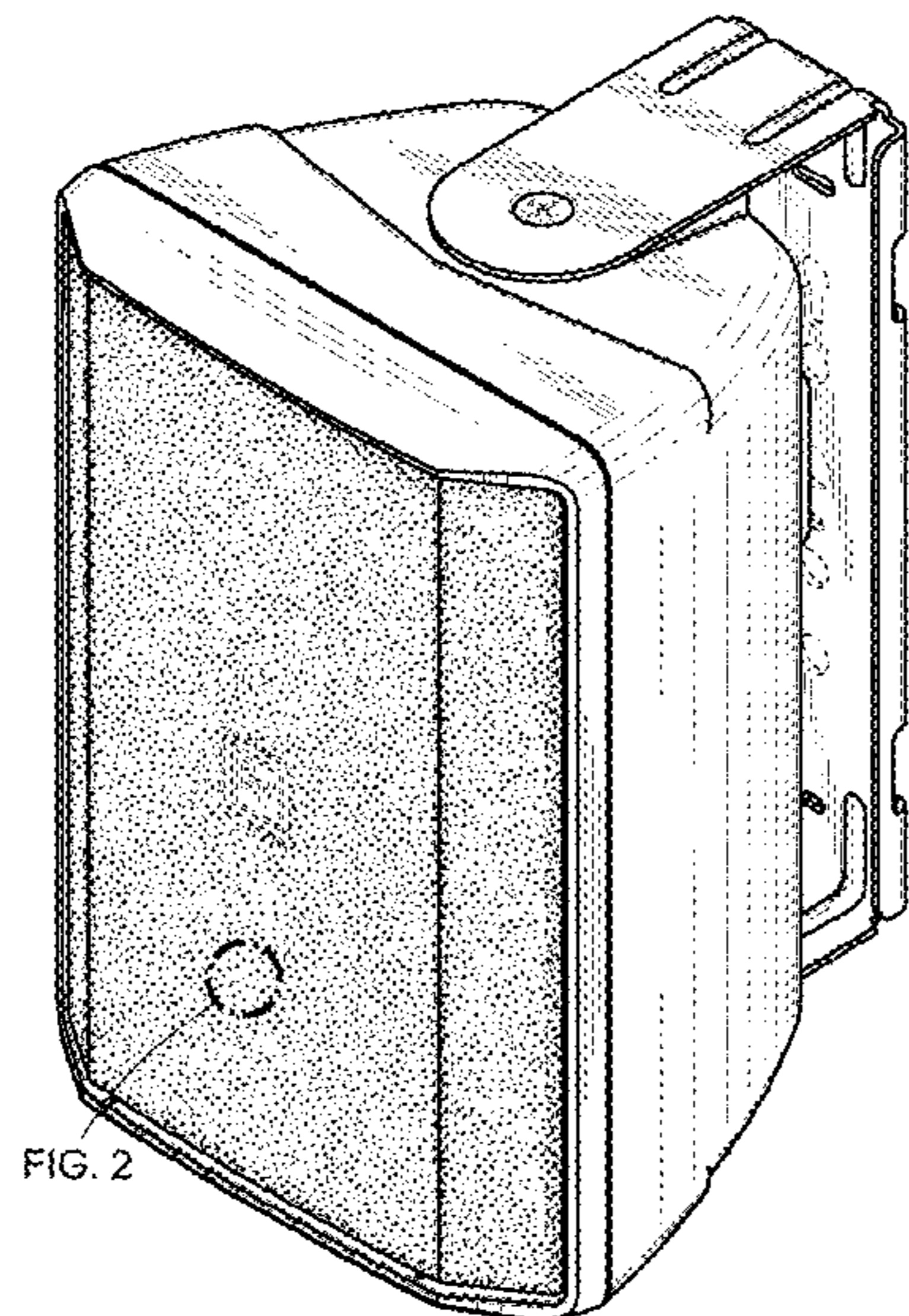
(57) **CLAIM**

The ornamental design for a loudspeaker including mounting bracket, as shown and described.

**DESCRIPTION**

FIG. 1 is a front perspective view of a loudspeaker including mounting bracket showing our new design;  
FIG. 2 is an enlargement of the portion of FIG. 1 that is encircled by a dash-dot-dash line labeled as FIG. 2;  
FIG. 3 is a top plan view thereof;  
FIG. 4 is a bottom plan view thereof;  
FIG. 5 is a front elevational view thereof;  
FIG. 6 is an enlargement of the portion of FIG. 5 that is encircled by a dash-dot-dash line labeled as FIG. 6;  
FIG. 7 is a rear elevational view thereof;  
FIG. 8 is a right side elevational view thereof;  
FIG. 9 is an enlargement of the portion of FIG. 8 that is encircled by a dash-dot-dash line labeled as FIG. 9;  
FIG. 10 is a left side elevational view thereof; and,  
FIG. 11 is an enlargement of the portion of FIG. 8 that is encircled by a dash-dot-dash line labeled as FIG. 11.  
The broken lines depict environment that forms no part of the claimed design.

**1 Claim, 6 Drawing Sheets**



(56)

References Cited

U.S. PATENT DOCUMENTS

5,704,578 A \* 1/1998 Fischer ..... F16C 11/106  
248/221.11

5,730,409 A 3/1998 Baron et al.

D400,883 S \* 11/1998 Jung ..... D14/214

D401,583 S 11/1998 Shin et al.

5,933,507 A 8/1999 Woolley et al.

D426,229 S \* 6/2000 Lin ..... D14/214

D471,893 S \* 3/2003 Jung ..... D14/214

D471,894 S \* 3/2003 Oikawa ..... D14/214

D480,708 S 10/2003 Bothe

6,721,434 B2 4/2004 Polk, Jr. et al.

D491,553 S 6/2004 Cook

D498,475 S 11/2004 Byun

D501,197 S 1/2005 Tanoni

6,845,840 B2 1/2005 Cowan et al.

D503,703 S 4/2005 Beckett et al.

D505,670 S \* 5/2005 Hoehn ..... D14/211

D506,632 S 6/2005 Holsclaw

6,915,996 B2 \* 7/2005 Lin ..... F16C 11/06  
248/288.31

7,000,878 B2 \* 2/2006 Lin ..... F16M 11/08  
248/276.1

D517,046 S \* 3/2006 Lam ..... D14/209

D521,981 S 5/2006 Sogabe

D538,265 S 3/2007 Lee

D541,259 S 4/2007 Pincek et al.

D547,302 S 7/2007 Schmieta et al.

D552,082 S \* 10/2007 Law ..... D14/214

D568,293 S 5/2008 Sawhney et al.

D577,711 S 9/2008 Emge

7,455,271 B2 \* 11/2008 Pincek ..... F16M 11/14  
248/220.21

D605,632 S 12/2009 Wathen

D643,019 S \* 8/2011 Behringer ..... D14/214

D643,407 S 8/2011 Behringer et al.

D655,691 S \* 3/2012 Stewart, Jr. .... D14/214

D692,862 S 11/2013 Tanaka

D698,335 S 1/2014 Plattard

D710,332 S 8/2014 Baird et al.

D714,259 S 9/2014 Galler

8,837,767 B2 9/2014 Stewart, Jr. et al.

D756,331 S 5/2016 Kamlet et al.

D764,444 S 8/2016 Sulzer et al.

D810,723 S \* 2/2018 Corten ..... D14/214

9,942,639 B2 \* 4/2018 Wright ..... H04R 1/026

9,976,692 B1 \* 5/2018 Nicolas ..... F16M 11/10

9,982,832 B1 \* 5/2018 Nicolas ..... F16M 11/10

D824,370 S \* 7/2018 Nicolas ..... D14/221

2003/0174855 A1 \* 9/2003 Hawkins ..... H04R 1/02  
381/386

2006/0285716 A1 \* 12/2006 Gordon ..... H04R 1/02  
381/386

2007/0075202 A1 \* 4/2007 Gordon ..... F16M 11/043  
248/289.11

2008/0063225 A1 \* 3/2008 Choi ..... H04R 1/025  
381/305

2009/0022354 A1 \* 1/2009 Parker ..... H04R 1/026  
381/395

2013/0202147 A1 \* 8/2013 Staley ..... H04R 1/026  
381/387

2013/0251187 A1 \* 9/2013 Sumitani ..... H04R 1/026  
381/387

2017/0188123 A1 \* 6/2017 Wright ..... H04R 1/026

OTHER PUBLICATIONS

Amazon—Bosch LB2-UC15-D1, announced Dec. 13, 2016 (date first available)[online],[site visited Feb. 2, 2017], Available from internet, URL:<<https://www.amazon.com/Bosch-LB2-UC15-D1-Premium-Cabinet-Loudspeaker/dp/B01N2TNVS2>> (Year: 2016).\*

\* cited by examiner

FIG. 1

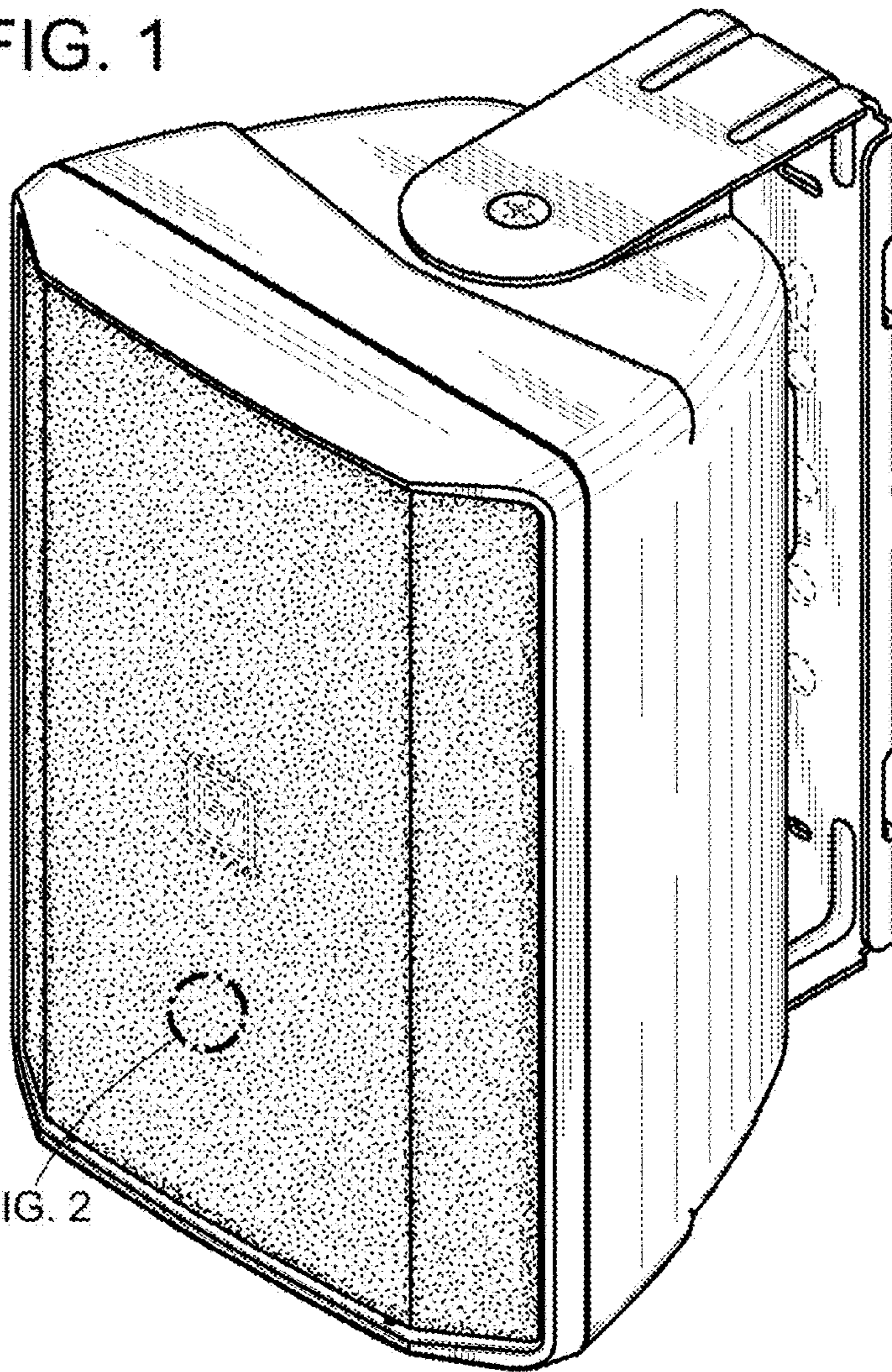


FIG. 2

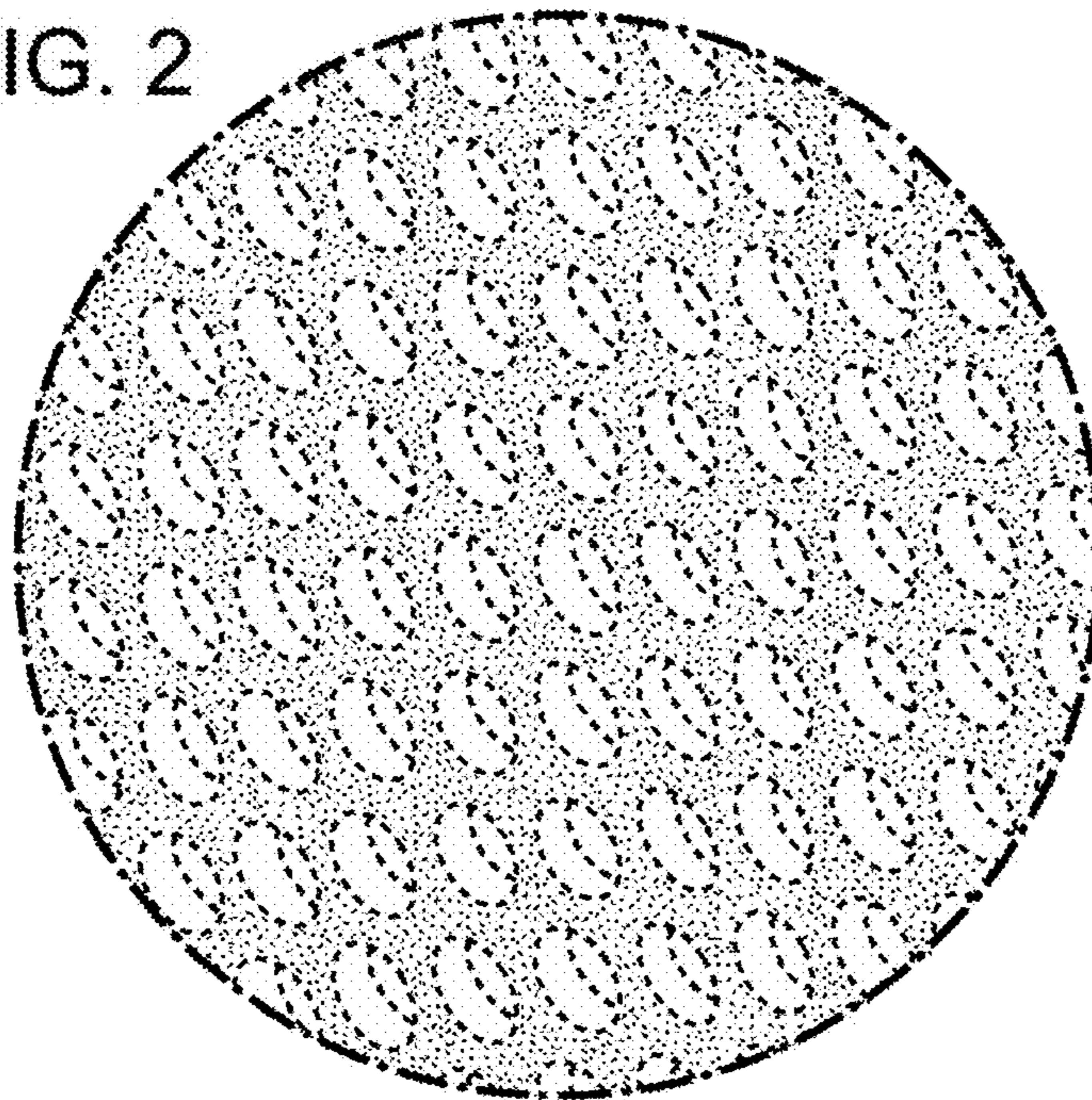


FIG. 3

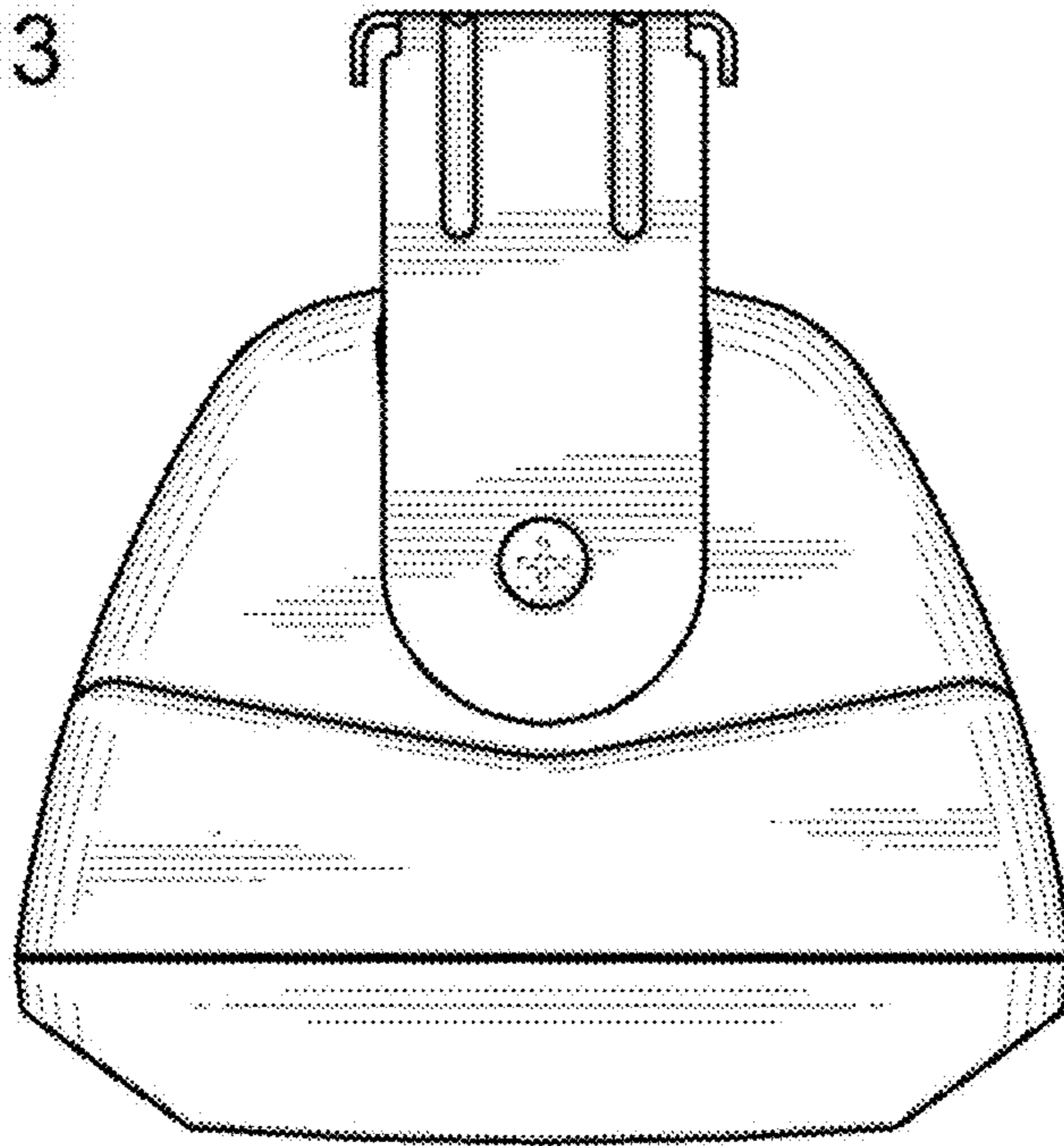


FIG. 4

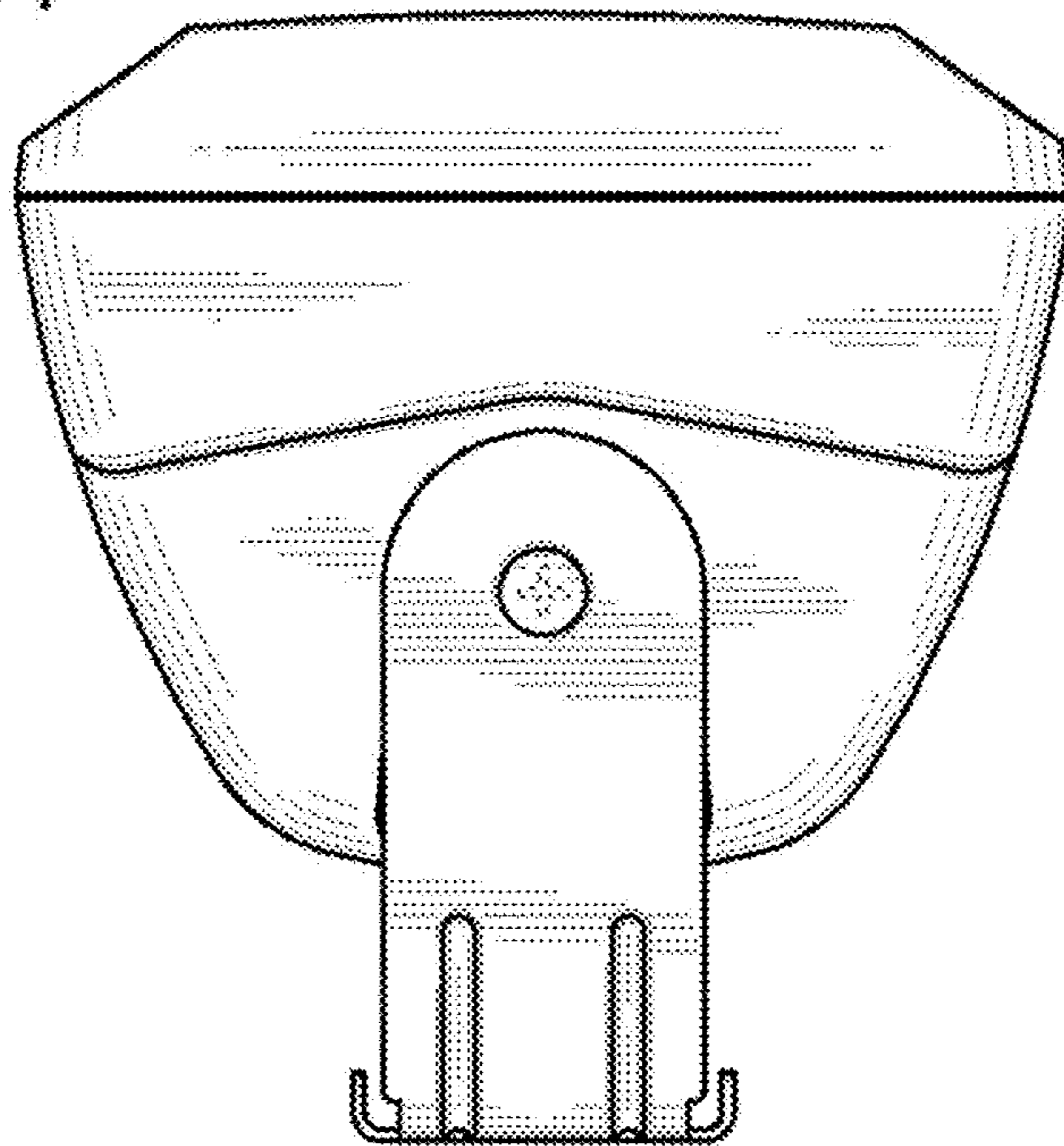


FIG. 5

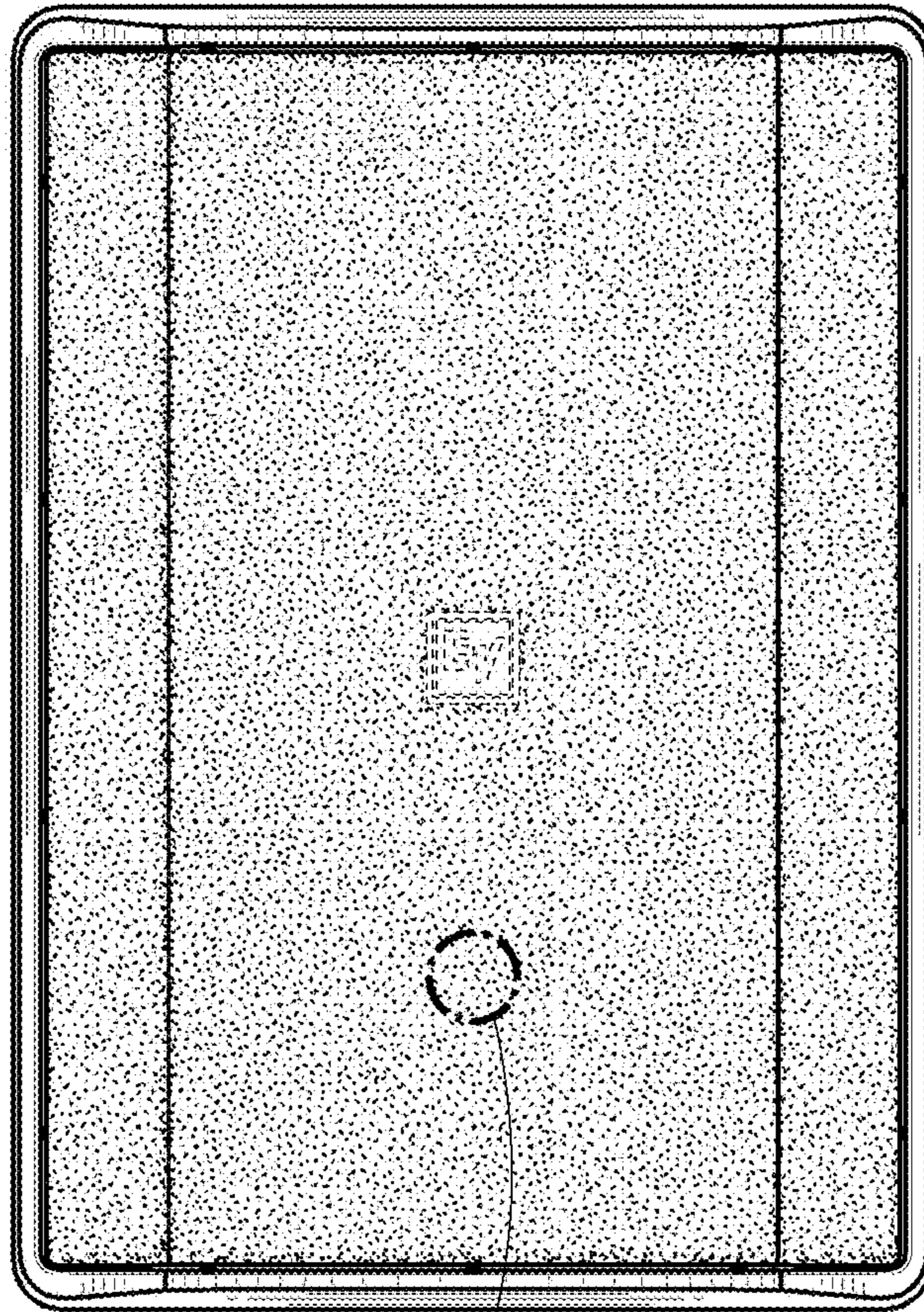


FIG. 6

FIG. 6

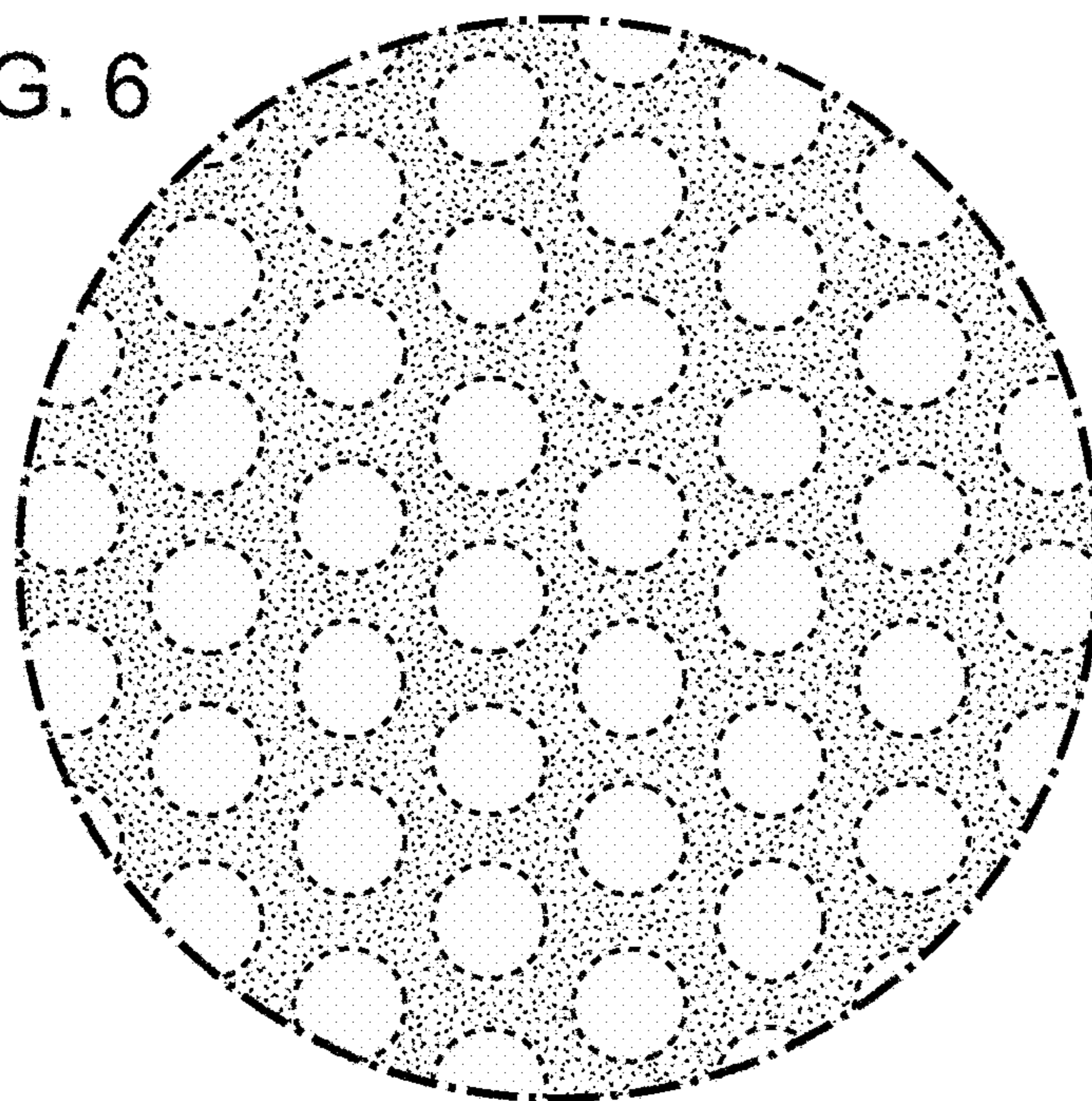


FIG. 7

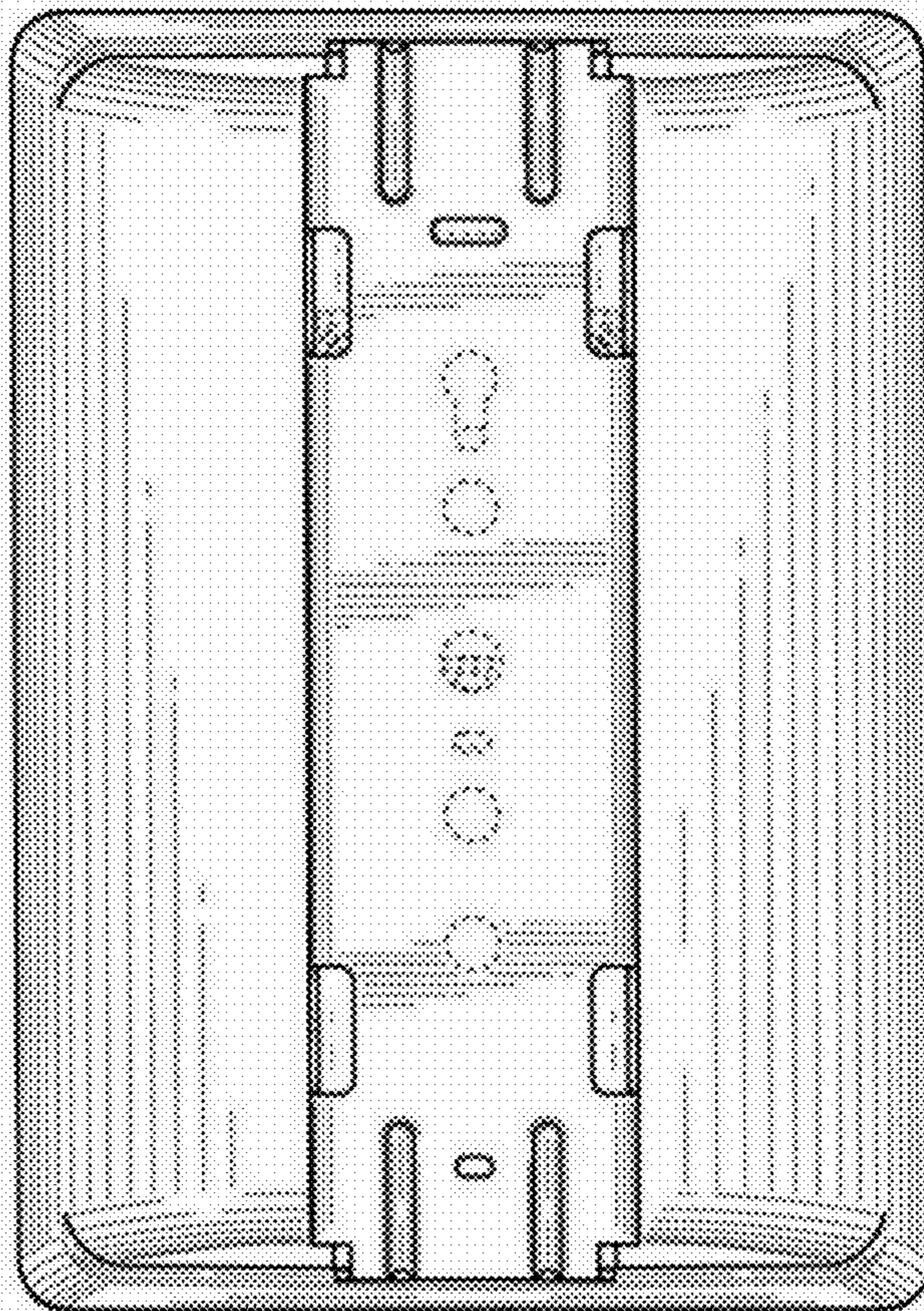


FIG. 8

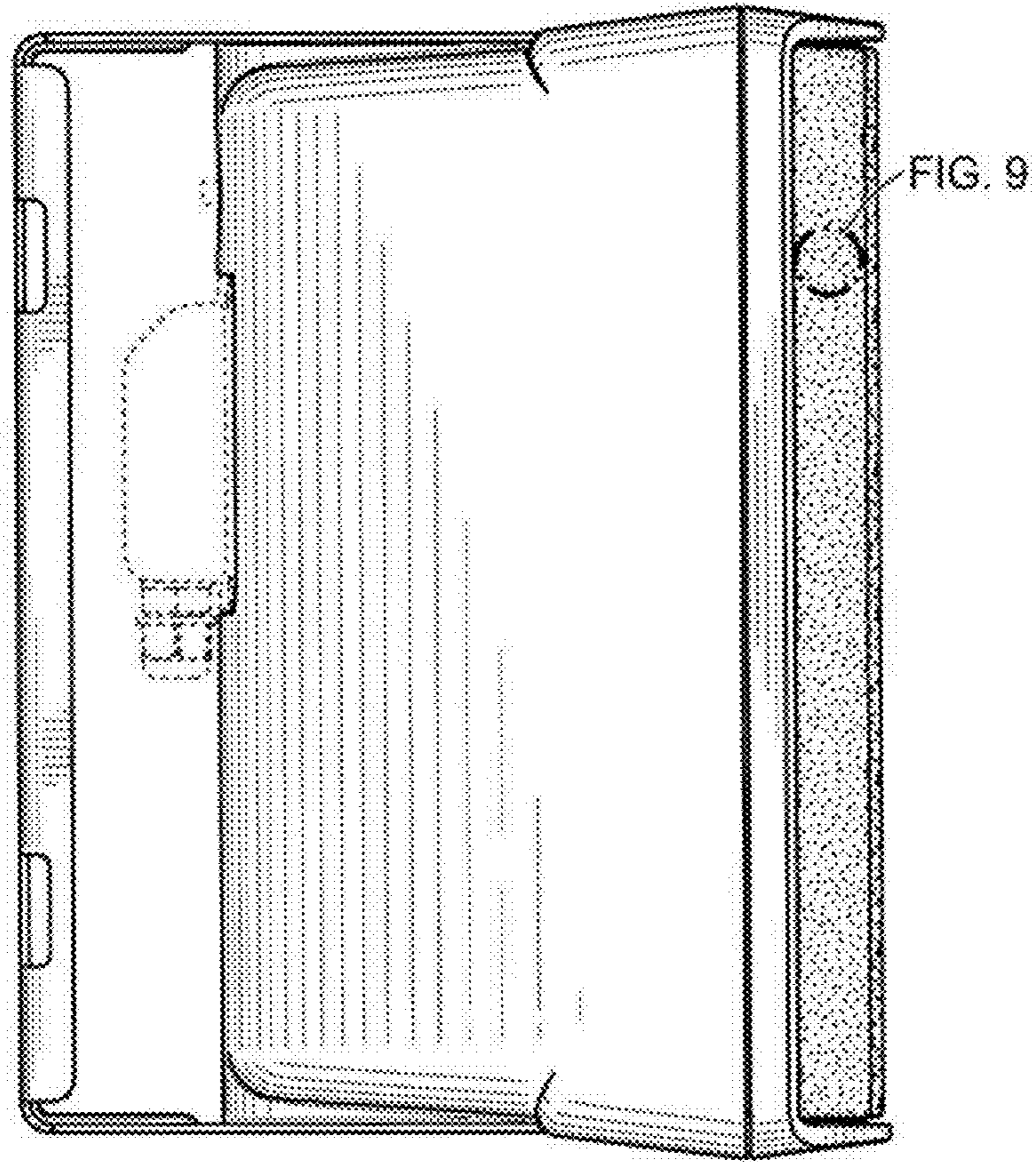


FIG. 9

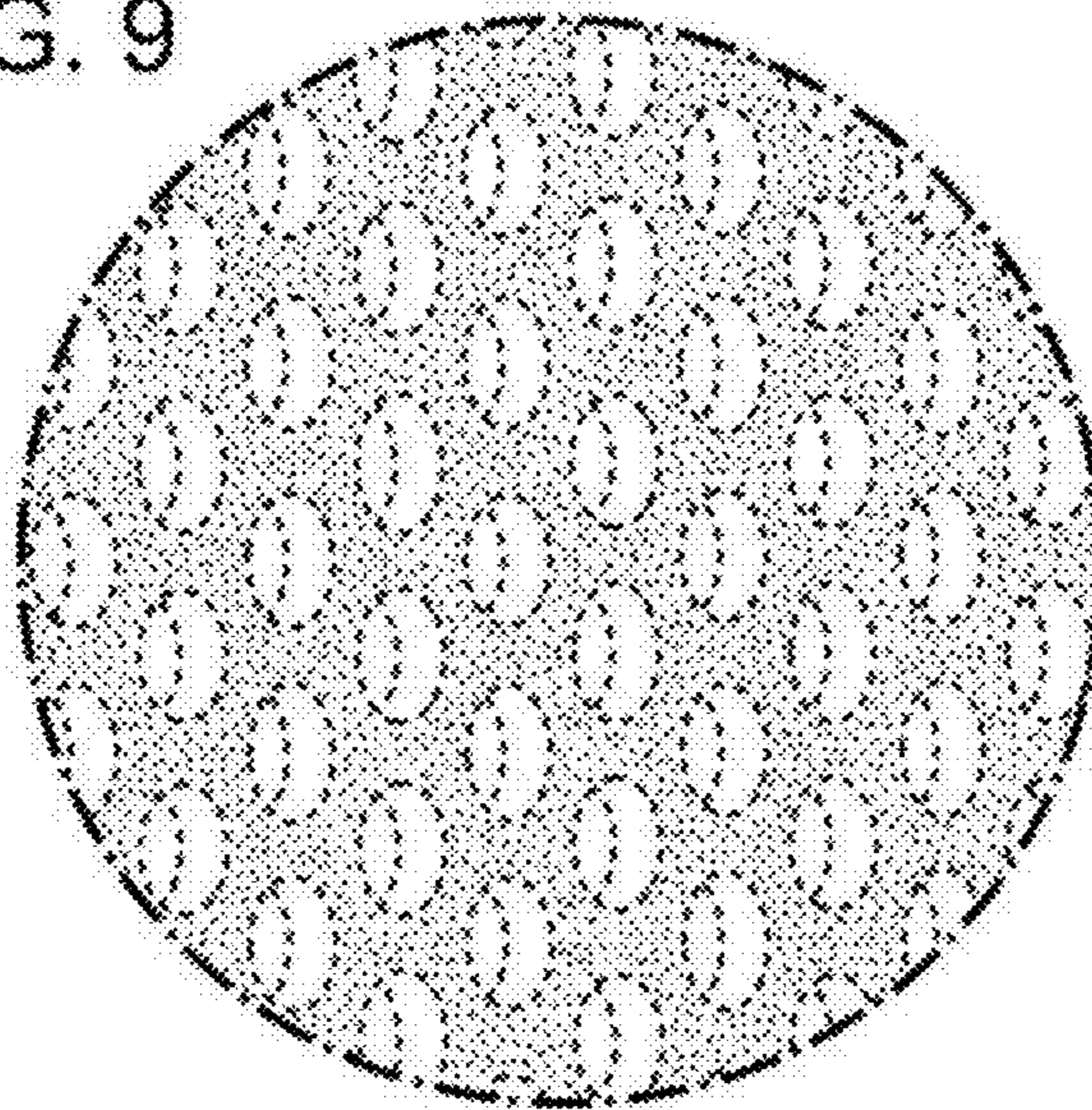


FIG. 10

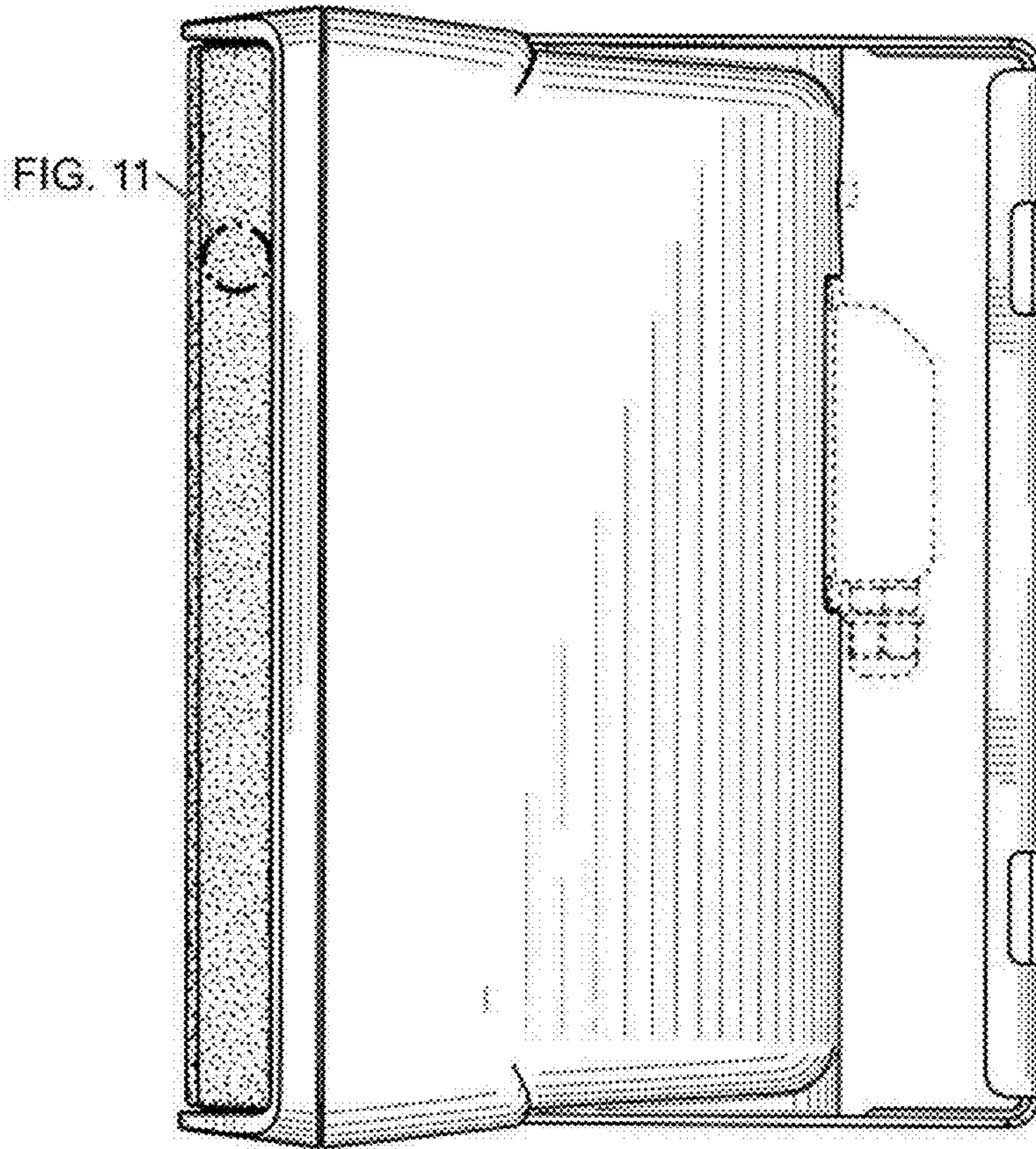
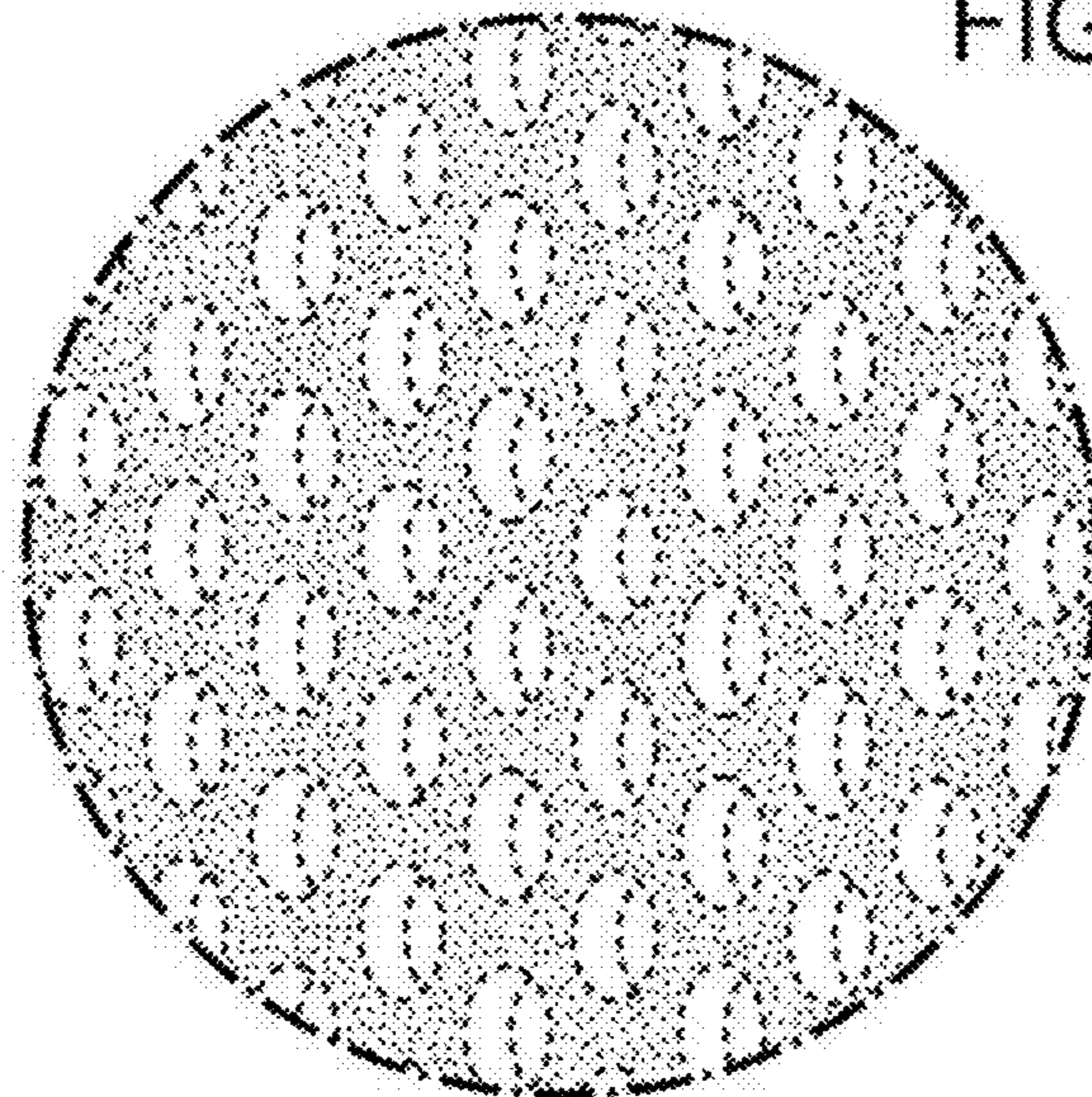


FIG. 11

FIG. 11





UNITED STATES PATENT AND TRADEMARK OFFICE  
**CERTIFICATE OF CORRECTION**

PATENT NO. : D841,624 S  
APPLICATION NO. : 29/605413  
DATED : February 26, 2019  
INVENTOR(S) : Nicolas et al.

Page 1 of 1

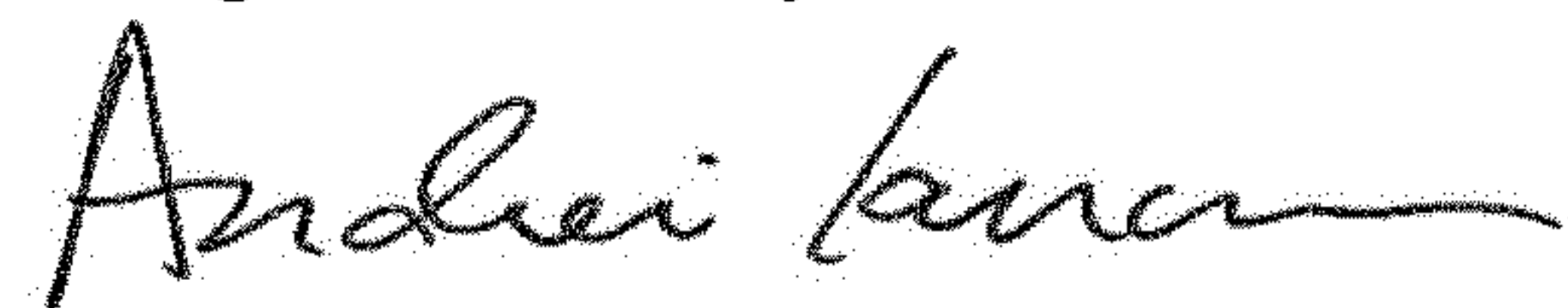
It is certified that error appears in the above-identified patent and that said Letters Patent is hereby corrected as shown below:

On the Title Page

Item (54) should correctly read:

(54) LOUDSPEAKER INCLUDING MOUNTING  
BRACKET

Signed and Sealed this  
Eighteenth Day of June, 2019



Andrei Iancu  
*Director of the United States Patent and Trademark Office*