



US00D841623S

(12) **United States Design Patent** (10) **Patent No.:** **US D841,623 S**  
**Nugent et al.** (45) **Date of Patent:** **\*\* Feb. 26, 2019**

(54) **LOUDSPEAKER SYSTEM**  
(71) Applicant: **Harman International Industries, Incorporated**, Northridge, CA (US)  
(72) Inventors: **Tim Nugent**, Santa Monica, CA (US); **Andy Flint**, Santa Clarita, CA (US)  
(73) Assignee: **Harman International Industries, Incorporated**, Northridge, CA (US)  
(\*\*) Term: **15 Years**

D236,010 S \* 7/1975 Carroll ..... D14/214  
D242,259 S 11/1976 Babb et al.  
D249,684 S 9/1978 Rams  
D261,883 S 11/1981 Russell et al.  
D268,673 S 4/1983 Iijima  
4,805,730 A 2/1989 O'Neill et al.  
D315,736 S 3/1991 Takagi  
D319,445 S 8/1991 Yamakawa  
D322,072 S 12/1991 Yamamoto  
D335,497 S 5/1993 Patterson, Jr. et al.  
D347,225 S \* 5/1994 Lowy ..... D14/204  
D362,667 S 9/1995 Sohn  
D390,234 S 2/1998 Ito et al.

(Continued)

(21) Appl. No.: **29/616,971**  
(22) Filed: **Sep. 11, 2017**

*Primary Examiner* — Paula Allen Greene  
(74) *Attorney, Agent, or Firm* — Plumsea Law Group, LLC

**Related U.S. Application Data**

(63) Continuation of application No. 29/551,710, filed on Jan. 15, 2016, now Pat. No. Des. 797,078.  
(51) **LOC (11) Cl.** ..... **14-03**  
(52) **U.S. Cl.**  
USPC ..... **D14/213; D14/214**  
(58) **Field of Classification Search**  
USPC ... D14/213, 214, 204, 217, 208, 209.1, 210, D14/212, 215, 216, 218, 240, 496, 228; D13/184; 181/143, 144, 147, 148, 150, 181/153, 157, 198, 199; 381/361–364, 381/386–388  
CPC ... H04R 9/06; H04R 1/02; H04R 1/20; H04R 3/14; H04R 25/00; H05K 5/00; H02J 7/00; A47B 1/06; A47B 81/06  
See application file for complete search history.

(57) **CLAIM**

The ornamental design for a loudspeaker system, as shown and described.

**DESCRIPTION**

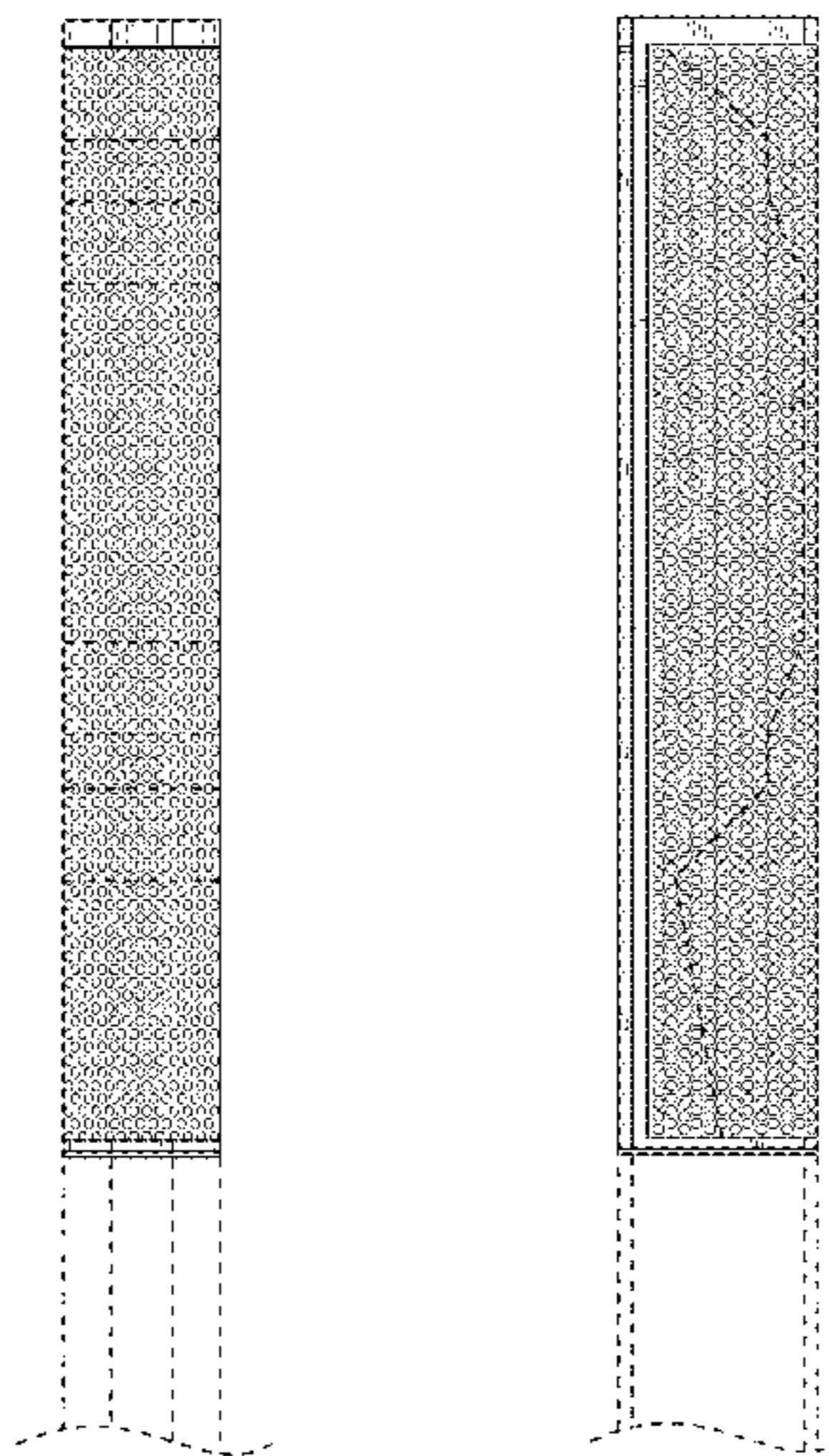
FIG. 1 is a perspective view of a loudspeaker system showing our new design;  
FIG. 2 is a front elevational view thereof;  
FIG. 3 is a side elevational view thereof, the opposite side elevational view being a mirror image thereof;  
FIG. 4 is a rear elevational view thereof;  
FIG. 5 is a top perspective view thereof;  
FIG. 6 is an enlarged view of FIG. 1;  
FIG. 7 is an enlarged view of FIG. 2;  
FIG. 8 is an enlarged view of FIG. 3;  
FIG. 9 is an enlarged view of FIG. 4; and,  
FIG. 10 is a perspective view thereof, the column tweeter is mounted directly on a main body housing, shown in unclaimed broken lines, without an extension and with the top cover in a closed position.  
The broken line showing depicts environmental features and forms no part of the claimed design.

(56) **References Cited**

**U.S. PATENT DOCUMENTS**

2,230,104 A 1/1941 Bostwick  
3,047,090 A 7/1962 Pruden  
3,207,257 A \* 9/1965 Wilson ..... H04R 1/02  
181/147  
3,512,606 A 5/1970 Anastin

**1 Claim, 10 Drawing Sheets**



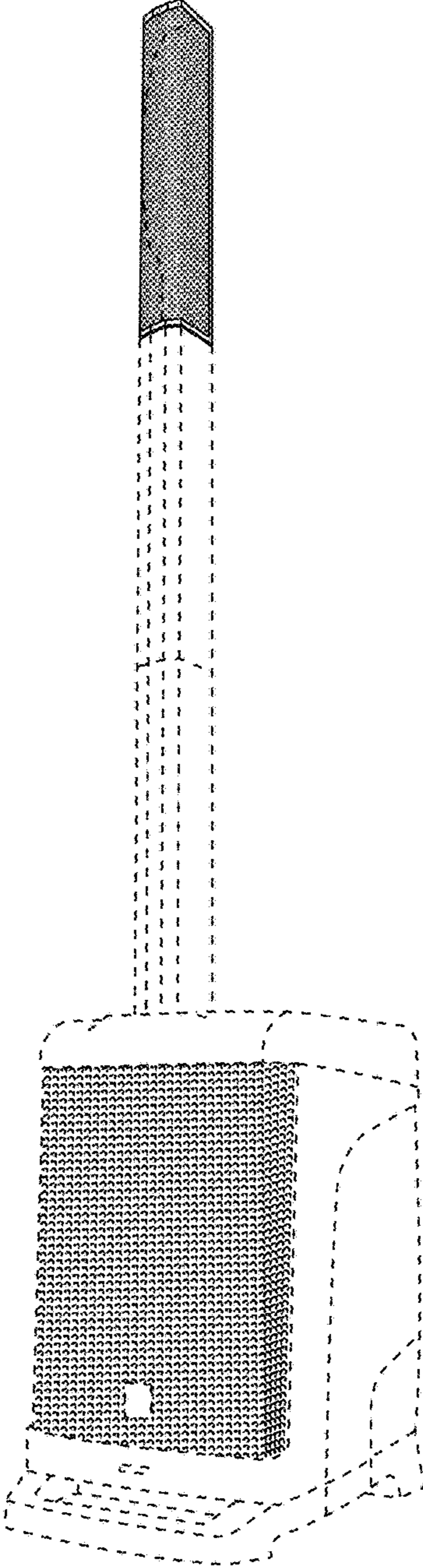
(56)

References Cited

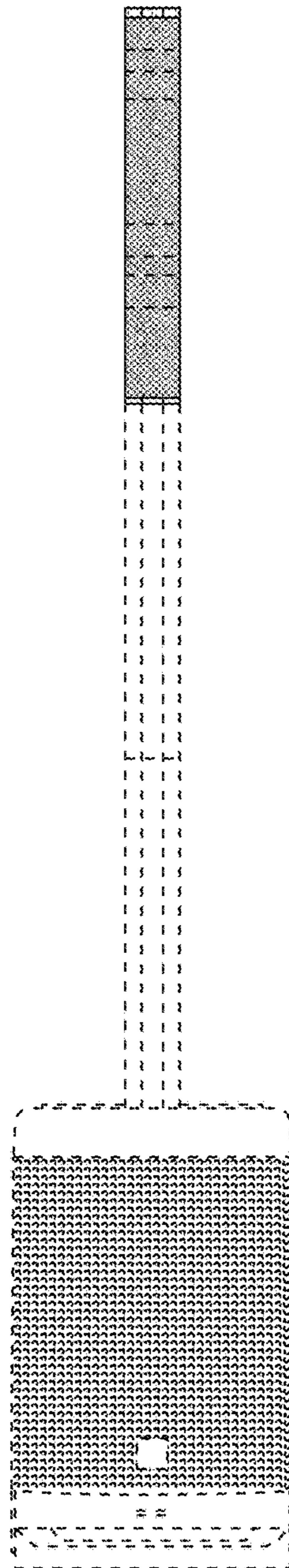
U.S. PATENT DOCUMENTS

D392,976 S *	3/1998	Fenner .....	D14/211	D586,783 S	2/2009	Lui et al.	
5,734,728 A *	3/1998	Meissner .....	H04R 1/347 181/148	D596,157 S *	7/2009	Warden .....	D14/211
D397,115 S	8/1998	Gremchuck		D609,216 S	2/2010	Davies et al.	
D399,509 S	10/1998	Renk		D611,452 S	3/2010	Warden et al.	
D401,583 S	11/1998	Shin et al.		D628,979 S	12/2010	Yagi	
6,035,962 A	3/2000	Lin		D654,473 S	2/2012	Paddock	
D422,593 S	4/2000	Ito et al.		D658,160 S *	4/2012	Janky .....	D14/214
D431,815 S	10/2000	Masui		D660,284 S *	5/2012	Carbone .....	D14/214
D432,117 S	10/2000	Miyazaki		D660,286 S	5/2012	Lee et al.	
D439,238 S	3/2001	Mackie et al.		D682,250 S	5/2013	Mattioli	
D451,494 S *	12/2001	Oikawa .....	D14/211	D695,269 S	12/2013	Carpenter et al.	
D457,875 S *	5/2002	Joe .....	D14/211	D695,707 S	12/2013	Szymanski et al.	
D468,725 S	1/2003	Nugent et al.		D703,194 S *	4/2014	Jacobs .....	D14/225
D471,891 S *	3/2003	Oikawa .....	D14/211	D714,259 S	9/2014	Galler	
D473,212 S	4/2003	Nugent et al.		D715,257 S *	10/2014	Son .....	D14/214
6,561,311 B2	5/2003	Chuang		D718,740 S	12/2014	Savage et al.	
D475,991 S *	6/2003	Hisatsune .....	D14/211	8,929,579 B2	1/2015	Kalyuzhny et al.	
D478,065 S	8/2003	Bolton et al.		D733,680 S	7/2015	Nugent	
D496,348 S *	9/2004	Juszkiewicz .....	D14/211	D743,940 S *	11/2015	Yang .....	D14/214
D497,899 S	11/2004	Weikel et al.		D754,100 S *	4/2016	McManigal .....	D14/214
D503,168 S *	3/2005	Hisatsune .....	D14/211	D765,054 S *	8/2016	Bast .....	D14/204
D518,817 S	4/2006	Ching		D766,873 S *	9/2016	Washio .....	D14/214
D525,615 S *	7/2006	Tanaka .....	D14/211	D768,603 S *	10/2016	Kim .....	D14/214
D529,019 S	9/2006	Lim		D774,491 S *	12/2016	Kim .....	D14/214
D534,159 S	12/2006	Whitehouse et al.		D776,638 S *	1/2017	Pietschmann .....	D14/209.1
D546,319 S	7/2007	Hakoda		D778,872 S	2/2017	Yang et al.	
D547,302 S	7/2007	Schmieta et al.		D788,065 S *	5/2017	Sabatino .....	D13/139.4
D552,492 S *	10/2007	Wang .....	D10/38	D791,736 S *	7/2017	Schoolmeister .....	D14/214
D555,634 S	11/2007	Kim et al.		D797,078 S *	9/2017	Nugent .....	D14/214
D555,635 S	11/2007	Kim et al.		D800,696 S	10/2017	Tubis et al.	
D558,737 S	1/2008	Poandl		D800,697 S	10/2017	Fischer et al.	
D562,307 S *	2/2008	Warden .....	D14/211	D805,499 S	12/2017	Crolla	
D575,800 S	8/2008	Kusano et al.		D806,671 S	1/2018	Kalyuzhny et al.	
D582,892 S	12/2008	Baird et al.		D813,838 S *	3/2018	Pietschmann .....	D14/214
D583,802 S	12/2008	Pincek et al.		D826,216 S *	8/2018	Schoolmeister .....	D14/214
				D826,902 S *	8/2018	Eaton .....	D14/209.1
				2016/0215518 A1 *	7/2016	Villman .....	E04H 12/12
				2017/0171649 A1 *	6/2017	Pietschmann .....	H04R 1/26

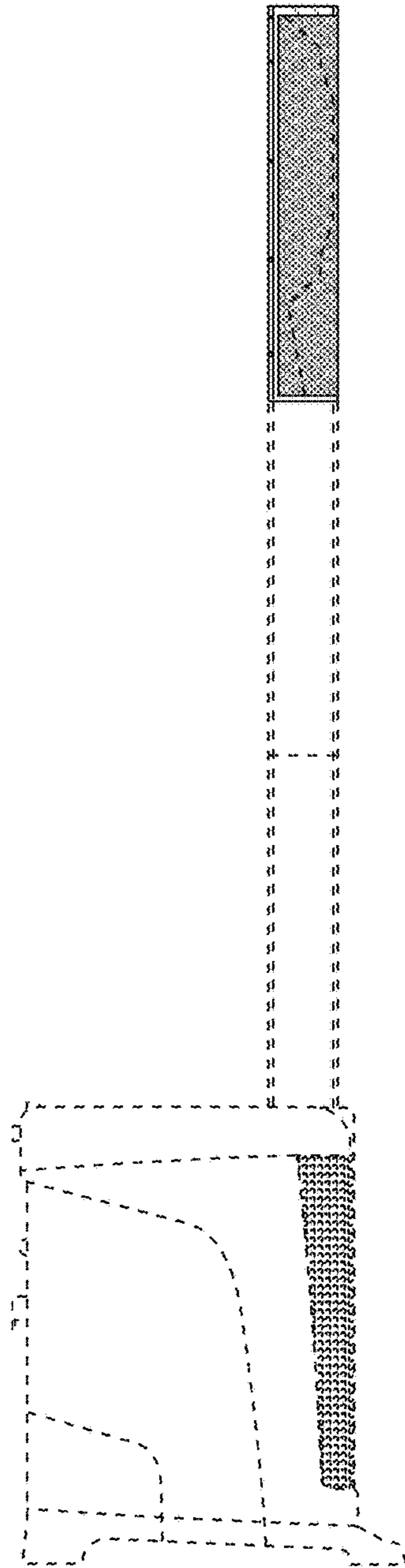
\* cited by examiner



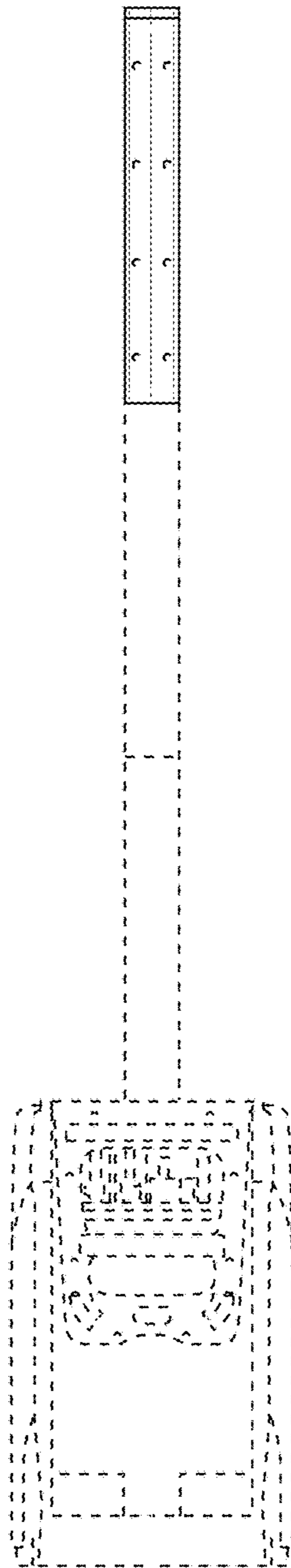
**FIG. 1**



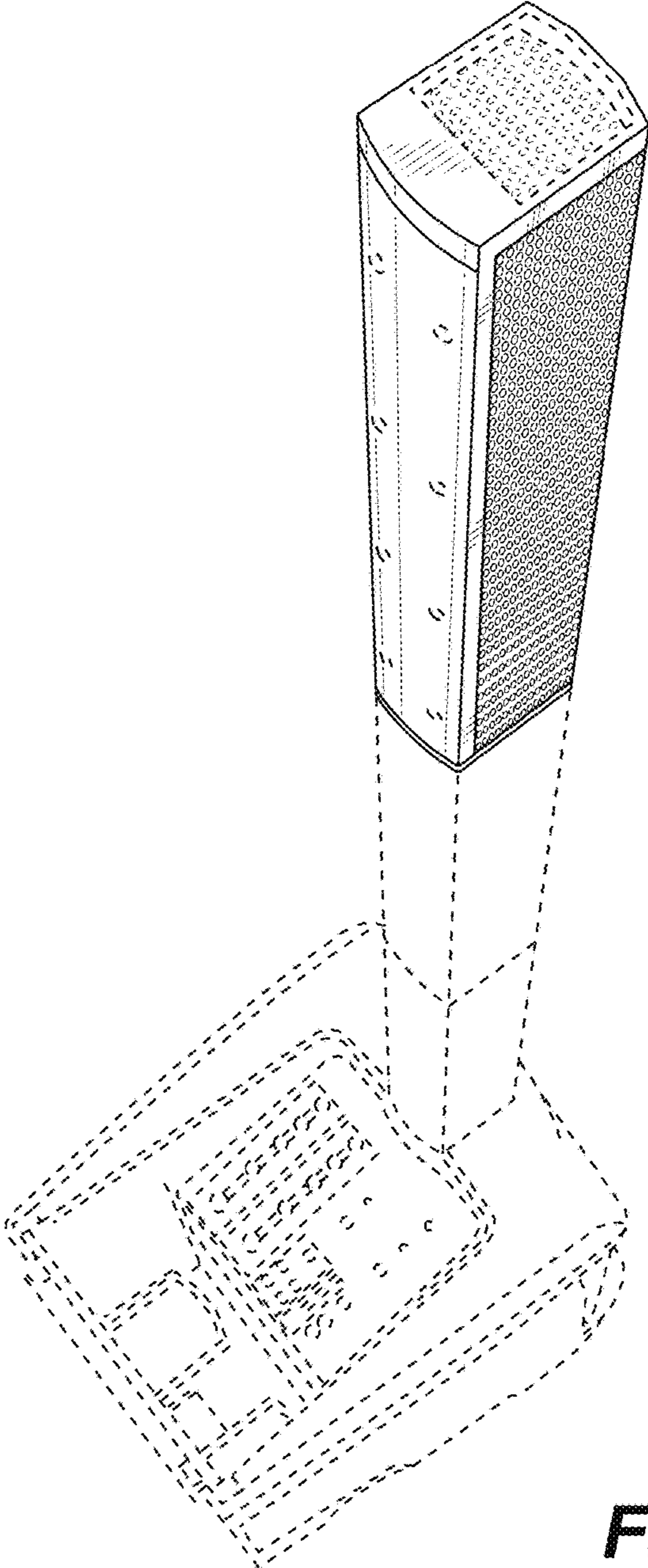
**FIG. 2**

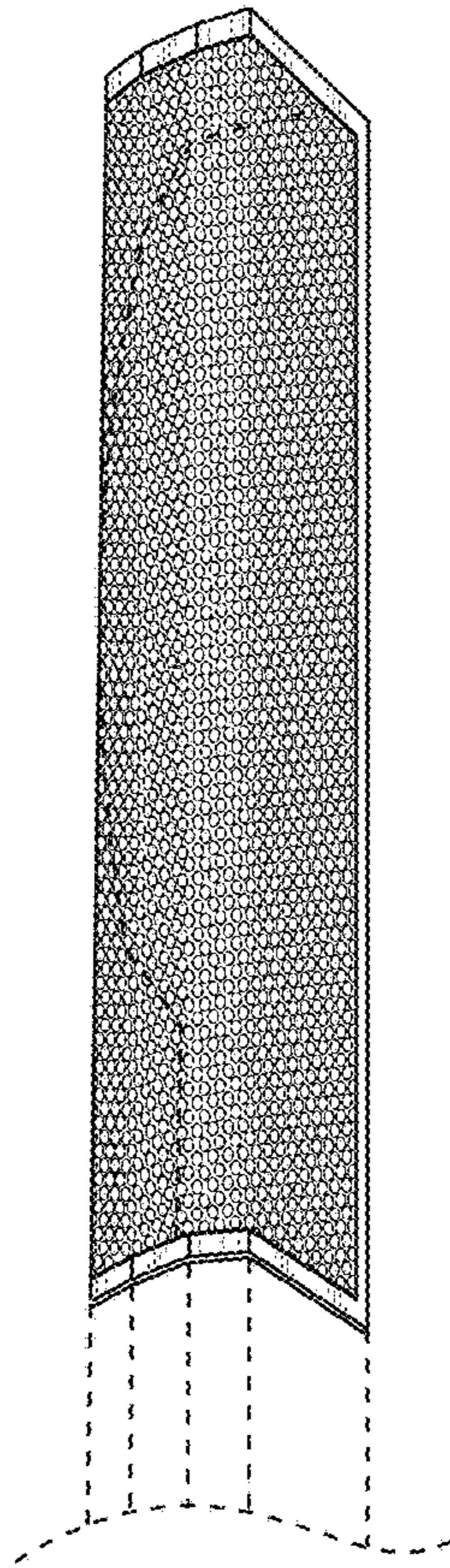


**FIG. 3**



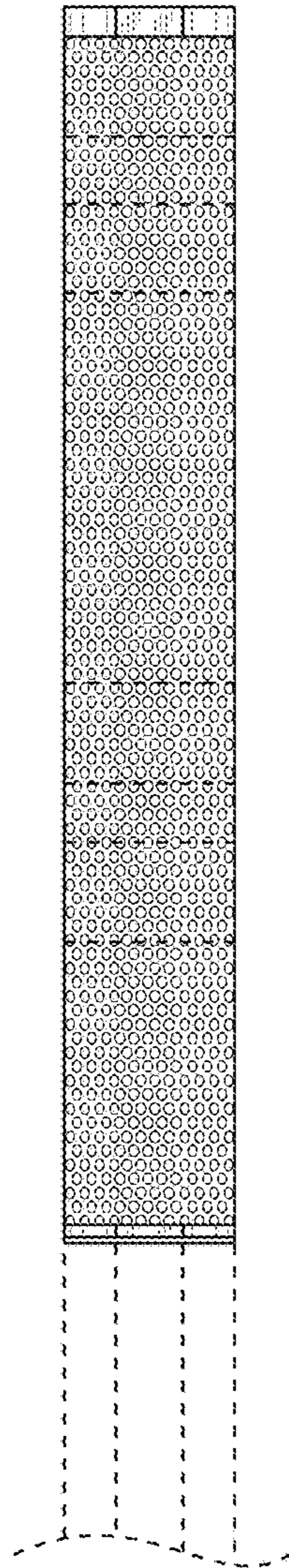
**FIG. 4**



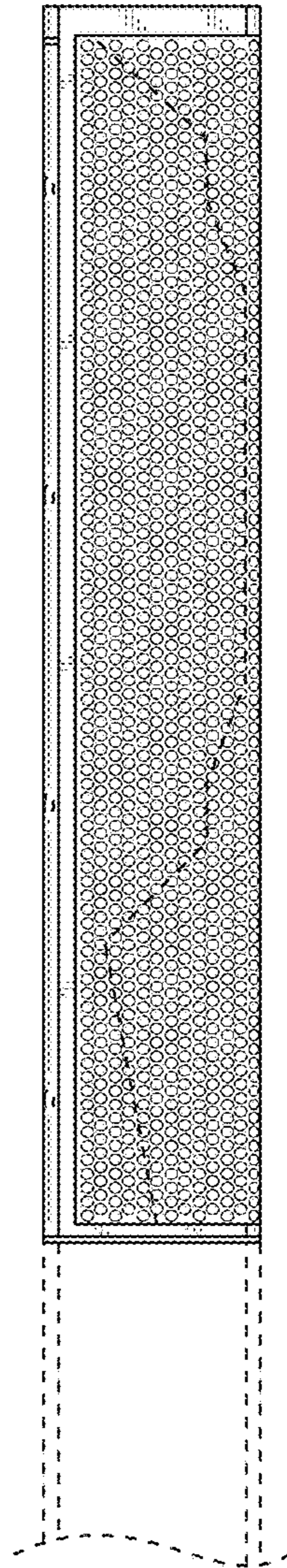


**FIG. 6**

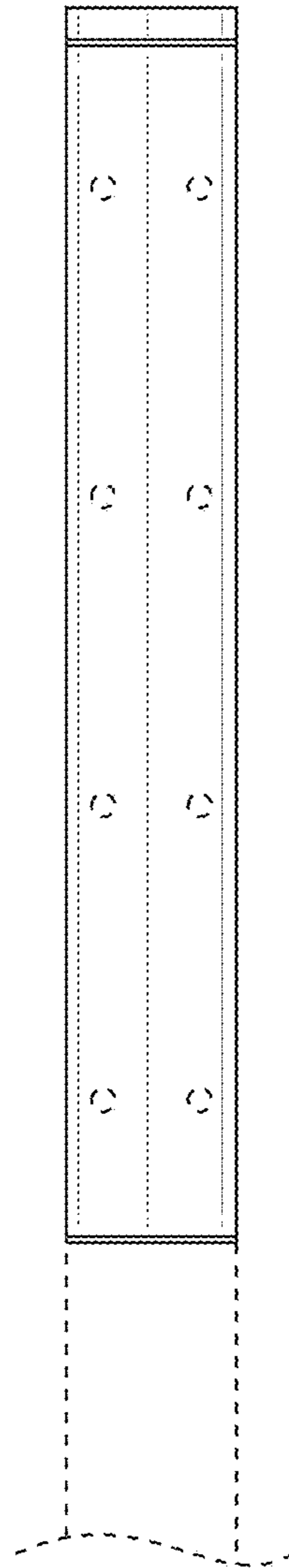




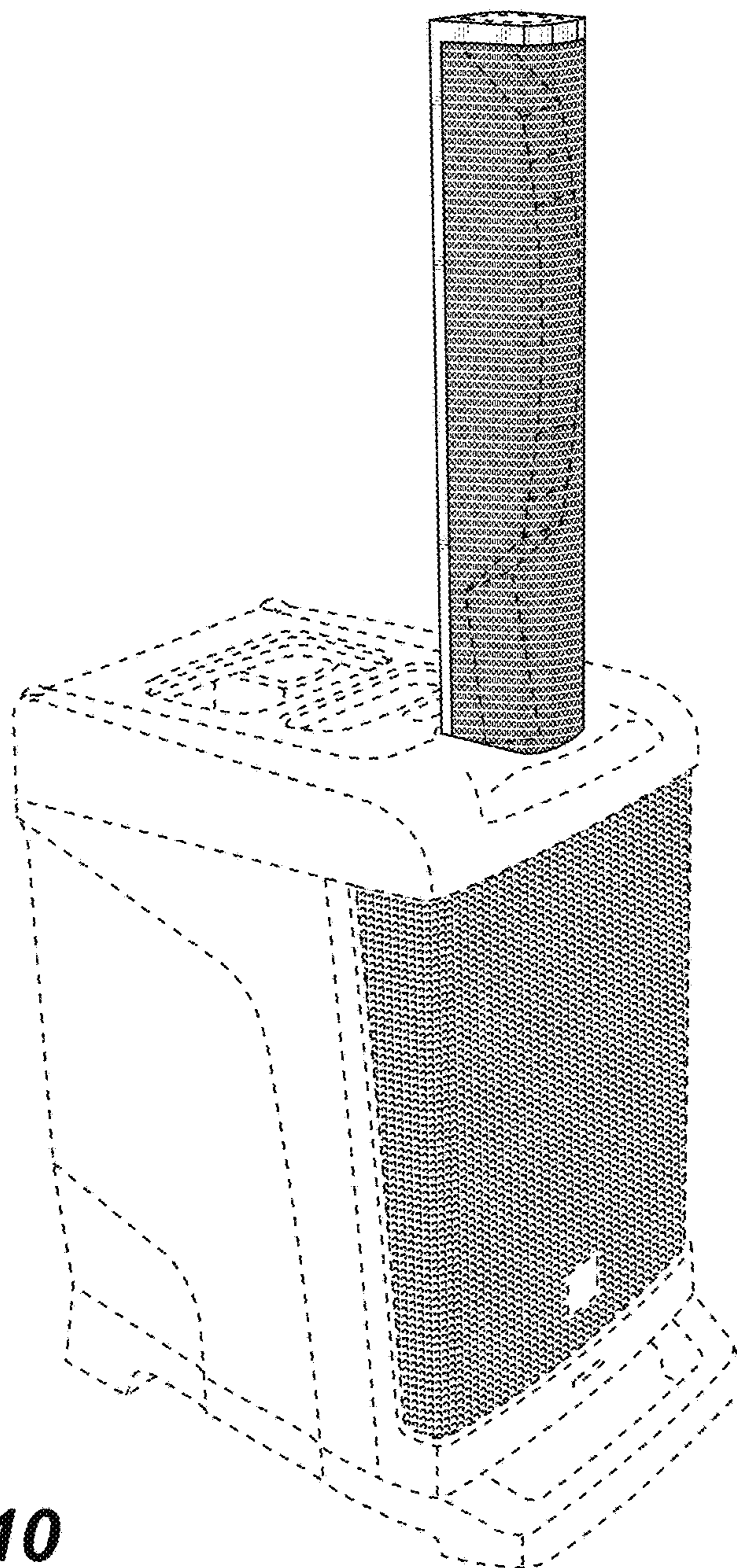
**FIG. 7**



**FIG. 8**



**FIG. 9**



**FIG. 10**