



US00D841618S

(12) **United States Design Patent**  
**Mei**

(10) **Patent No.:** **US D841,618 S**

(45) **Date of Patent:** **\*\* Feb. 26, 2019**

- (54) **HEADSET**
- (71) Applicant: **Qingkai Mei**, Guangdong (CN)
- (72) Inventor: **Qingkai Mei**, Guangdong (CN)
- (73) Assignee: **Shenzhen MeiDong Acoustics Co., LTD**, Lezhujiao, Xixiang, Baoan, Shenzhen, Guangdong (CN)
- (\*\*) Term: **15 Years**
- (21) Appl. No.: **29/619,438**
- (22) Filed: **Sep. 29, 2017**
- (51) **LOC (11) Cl.** ..... **14-01**
- (52) **U.S. Cl.**  
USPC ..... **D14/205**
- (58) **Field of Classification Search**  
USPC ..... D14/205, 188, 192, 372; D29/112;  
2/209; 181/129, 130, 135; 379/430, 431;  
381/380, 381, 374, 74; 455/90.3, 575.1,  
455/569.1  
CPC .... H04R 1/1066; H04R 1/1016; H04R 5/033;  
H04R 25/00; H04R 1/10  
See application file for complete search history.

- 5,406,037 A \* 4/1995 Nageno ..... H04R 5/0335  
181/129
- 5,459,290 A \* 10/1995 Yamagishi ..... H04R 1/1075  
181/129
- D373,360 S \* 9/1996 Kanno ..... D14/205
- D376,598 S \* 12/1996 Hayashi ..... D14/205
- D409,197 S \* 5/1999 Nakamura ..... D14/205
- D410,466 S \* 6/1999 Mouri ..... D14/205
- 5,989,682 A \* 11/1999 Anderson ..... B31F 1/07  
156/209
- D420,356 S \* 2/2000 Suzuki ..... D14/205
- 6,081,604 A \* 6/2000 Hikichi ..... H04R 1/083  
381/124
- D435,249 S \* 12/2000 Yasutomi ..... D14/205
- D467,580 S \* 12/2002 Mori ..... D14/223
- 6,775,390 B1 \* 8/2004 Schmidt ..... H04M 1/05  
181/128
- D502,938 S \* 3/2005 Tokioka ..... D14/205
- D512,708 S \* 12/2005 Harris, Jr. .... D14/205
- D567,215 S \* 4/2008 Lee ..... D14/205
- D573,581 S \* 7/2008 Gondo ..... D14/205
- 7,580,539 B2 \* 8/2009 Tachikawa ..... H04R 1/1066  
381/374
- D625,705 S \* 10/2010 Ohori ..... D14/205
- D632,668 S \* 2/2011 Brunner ..... D14/205

(Continued)

Primary Examiner — Paula Allen Greene

(57) **CLAIM**

I claim the ornamental design for a headset, as shown and described.

**DESCRIPTION**

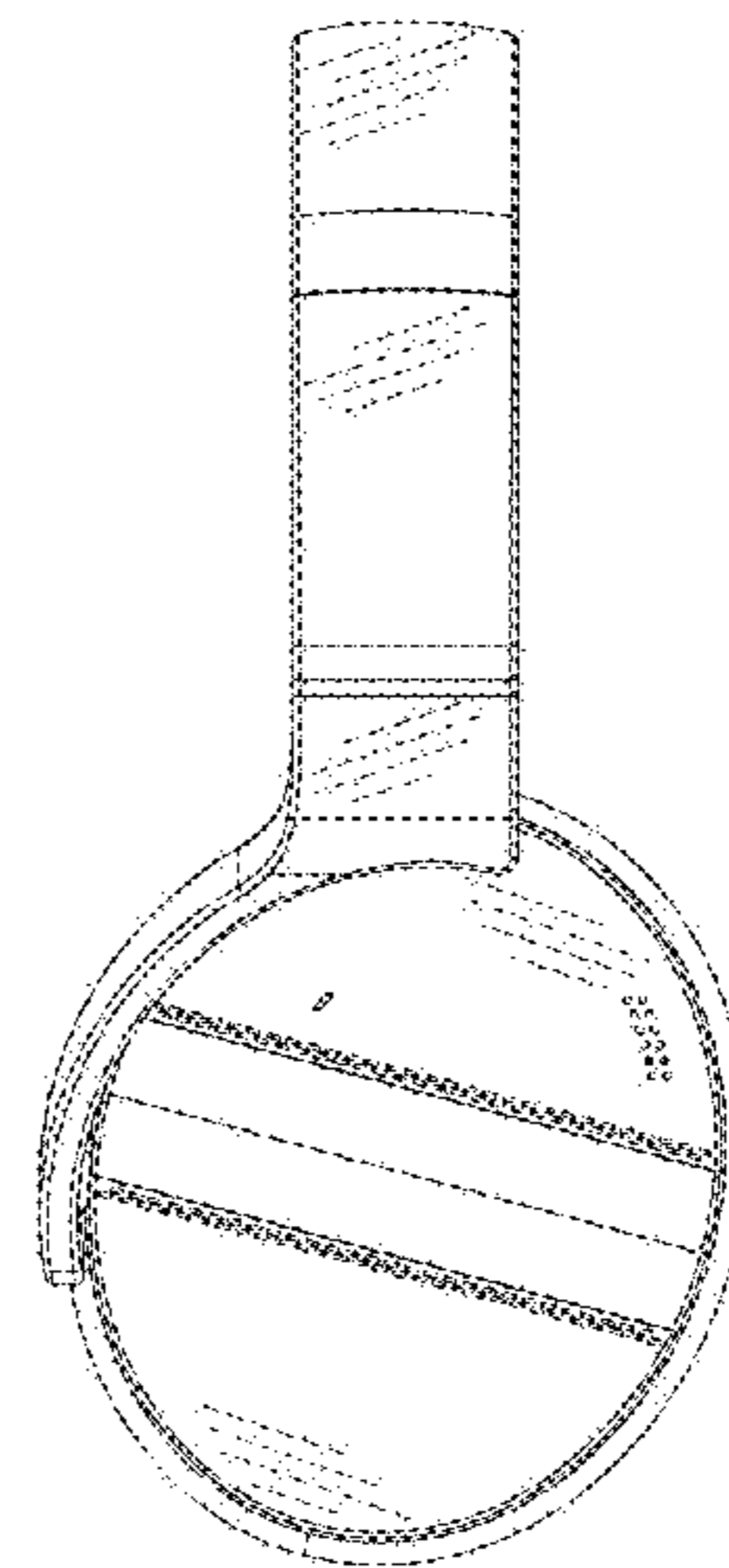
FIG. 1 is a perspective view of a headset showing my new design;  
FIG. 2 is a front elevational view thereof;  
FIG. 3 is a rear elevational view thereof;  
FIG. 4 is a left side elevational view thereof;  
FIG. 5 is a right side elevational view thereof;  
FIG. 6 is a top plan view thereof; and,  
FIG. 7 is a bottom plan view thereof.

**1 Claim, 7 Drawing Sheets**

(56) **References Cited**

**U.S. PATENT DOCUMENTS**

- 2,537,201 A \* 1/1951 Amfitheatrof ..... A61F 11/008  
181/136
- 2,958,608 A \* 11/1960 Barnard ..... D04H 1/66  
28/163
- D237,114 S \* 10/1975 Froladh ..... D24/126
- D246,519 S \* 11/1977 Kato ..... D14/205
- 4,404,434 A \* 9/1983 Pelt ..... H04R 5/0335  
2/209
- 4,634,816 A \* 1/1987 O'Malley ..... H04M 1/05  
379/430
- D345,163 S \* 3/1994 Yamatogi ..... D14/205



(56)

References Cited

U.S. PATENT DOCUMENTS

D635,958 S \* 4/2011 Ando ..... D14/205  
 D639,776 S \* 6/2011 Arimoto ..... D14/205  
 8,098,872 B2 \* 1/2012 Chang ..... H04R 1/1075  
 381/370  
 D657,344 S \* 4/2012 Brunner ..... D14/205  
 8,189,847 B2 \* 5/2012 Huang ..... H04R 1/1075  
 381/186  
 D664,118 S \* 7/2012 Tappeiner ..... D14/205  
 D673,136 S \* 12/2012 Kelly ..... D14/205  
 D673,520 S \* 1/2013 Tan ..... D14/205  
 D678,860 S \* 3/2013 Hagelin ..... D14/205  
 D683,327 S \* 5/2013 Dougherty ..... D14/205  
 D690,284 S \* 9/2013 Brennwald ..... D14/205  
 D691,109 S \* 10/2013 Hardi ..... D14/205  
 D696,644 S \* 12/2013 Sejpka ..... D14/205  
 D706,242 S \* 6/2014 Yang ..... H04R 1/1066  
 D14/205  
 D712,375 S \* 9/2014 Miyake ..... D14/205  
 D721,052 S \* 1/2015 Carr ..... D14/205

D727,289 S \* 4/2015 Czaniecki ..... D14/205  
 9,161,117 B2 \* 10/2015 Blonder ..... H04R 1/1066  
 D752,017 S \* 3/2016 Daniel ..... D14/205  
 D759,626 S \* 6/2016 Wagner ..... D14/205  
 D763,223 S \* 8/2016 Czaniecki ..... D14/205  
 D763,821 S \* 8/2016 Leopardi ..... D14/205  
 D769,219 S \* 10/2016 Ohmachi ..... D14/205  
 D773,434 S \* 12/2016 Wu ..... D14/205  
 D777,701 S \* 1/2017 Czaniecki ..... D14/205  
 D806,674 S \* 1/2018 Zhang ..... D14/205  
 D811,364 S \* 2/2018 Park ..... D14/205  
 D812,035 S \* 3/2018 Petersen ..... D14/205  
 2001/0017925 A1 \* 8/2001 Ceravolo ..... H04M 1/05  
 381/370  
 2003/0103637 A1 \* 6/2003 Huang ..... H04R 1/1075  
 381/309  
 2004/0125977 A1 \* 7/2004 Hong ..... H04R 1/1033  
 381/376  
 2009/0205110 A1 \* 8/2009 Chiang ..... A61F 11/06  
 2/209  
 2016/0080853 A1 \* 3/2016 Chen ..... H04R 1/1041  
 381/74

\* cited by examiner



FIG.1

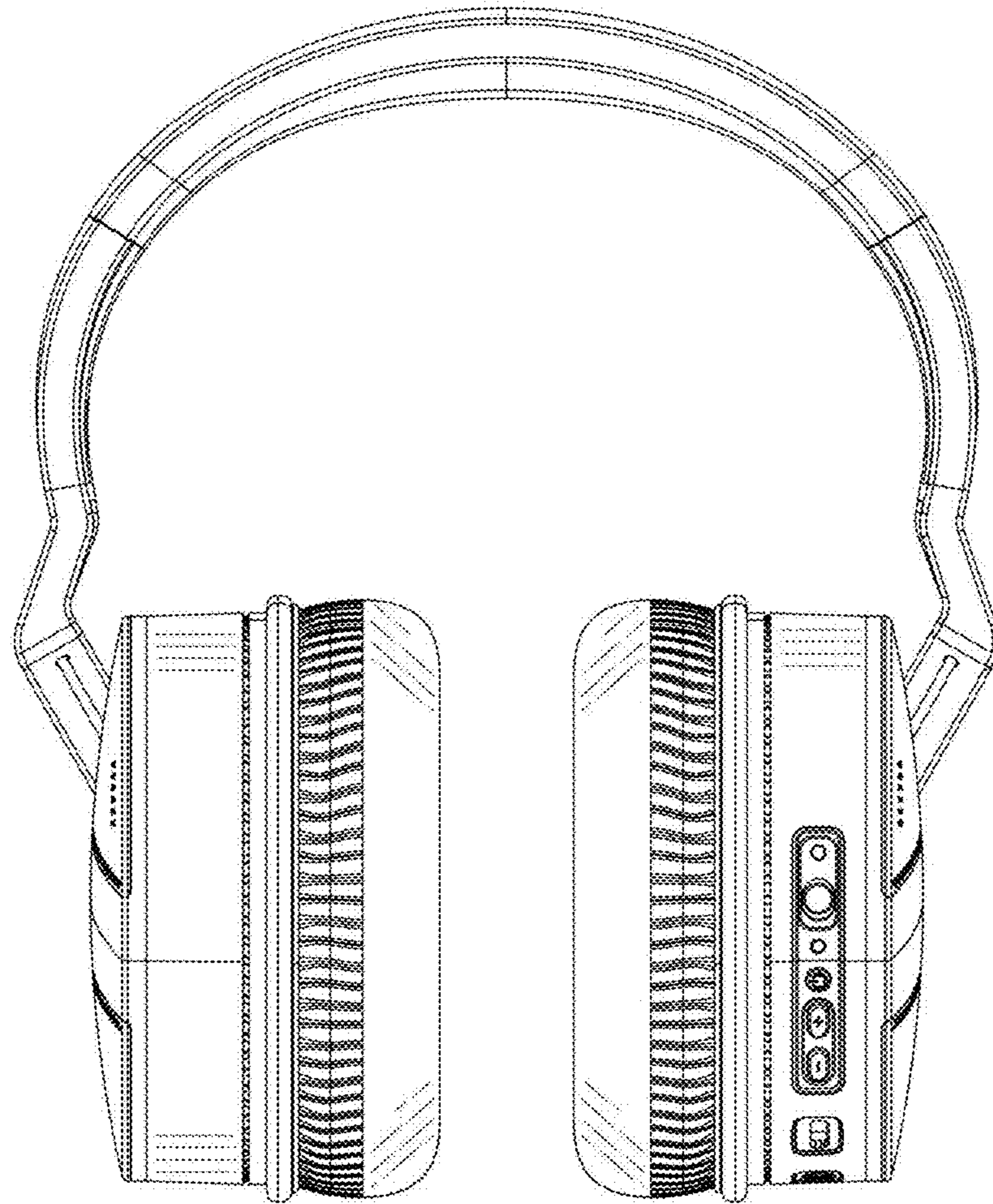


FIG.2

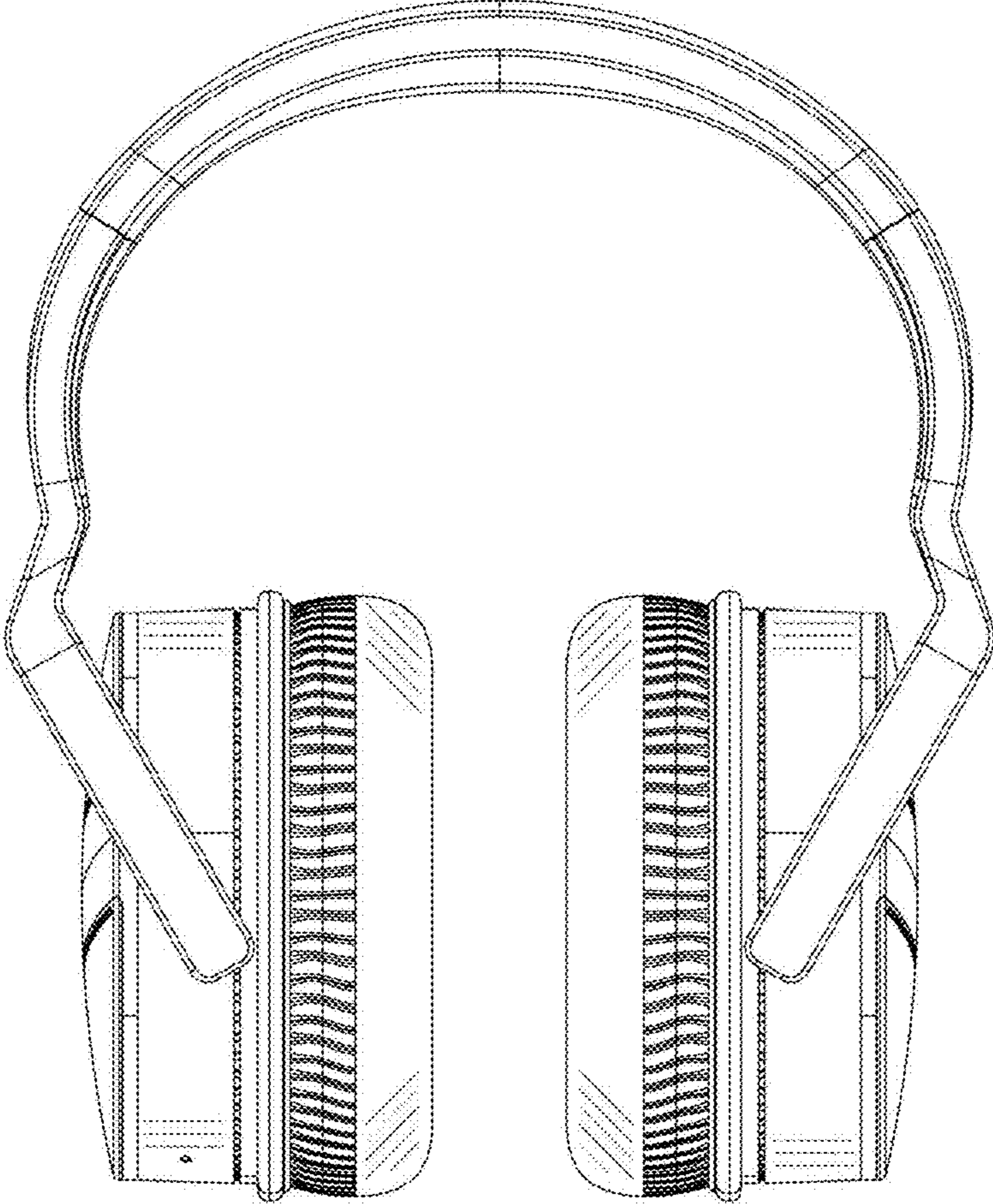


FIG.3

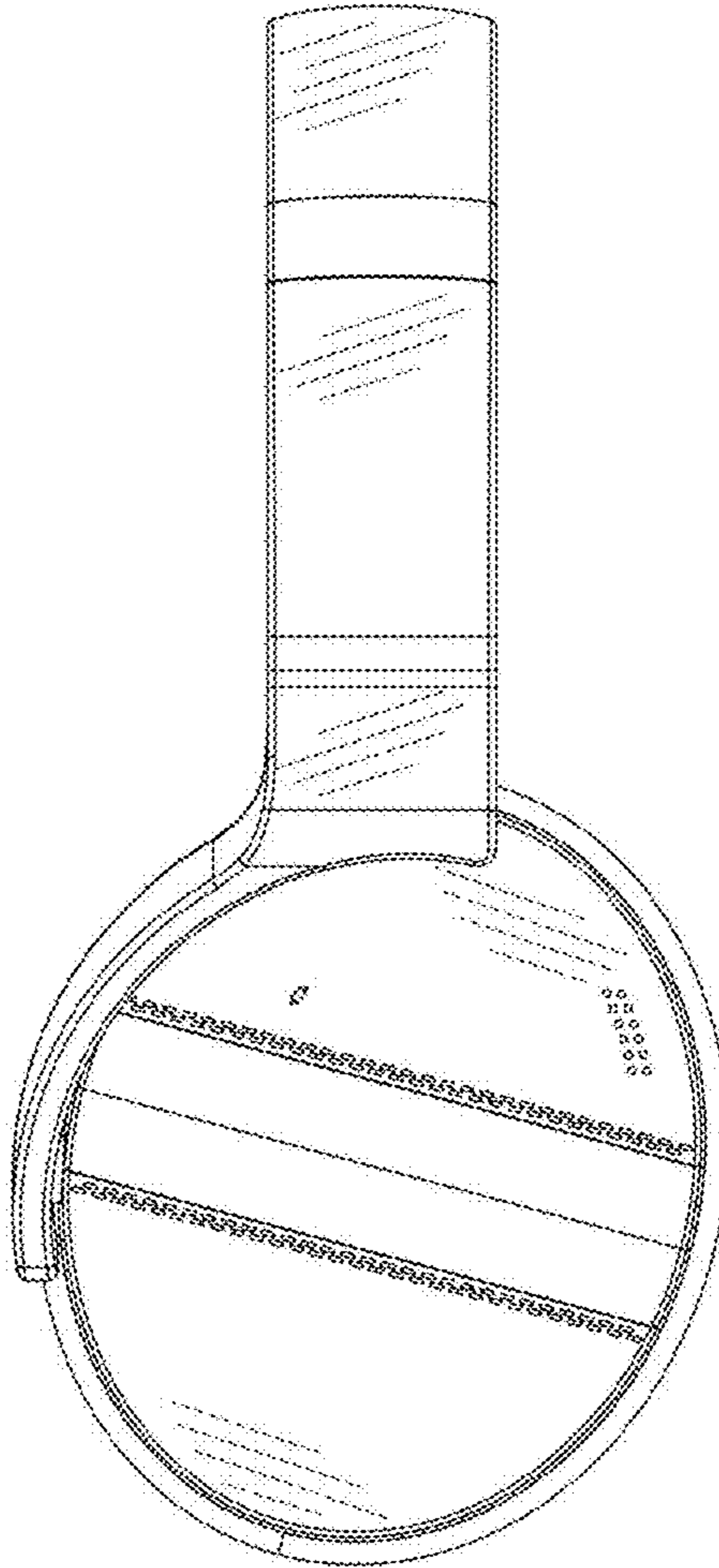


FIG.4

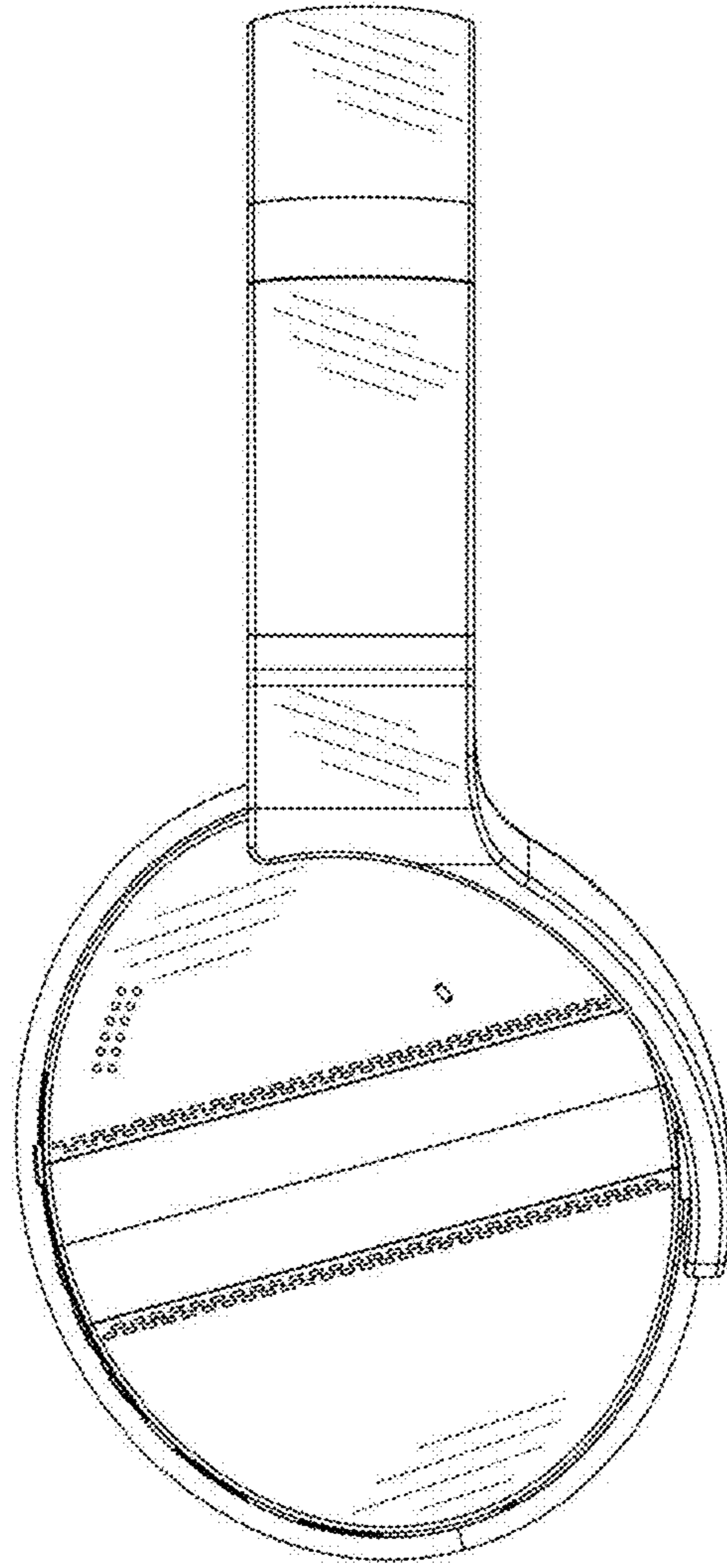


FIG.5

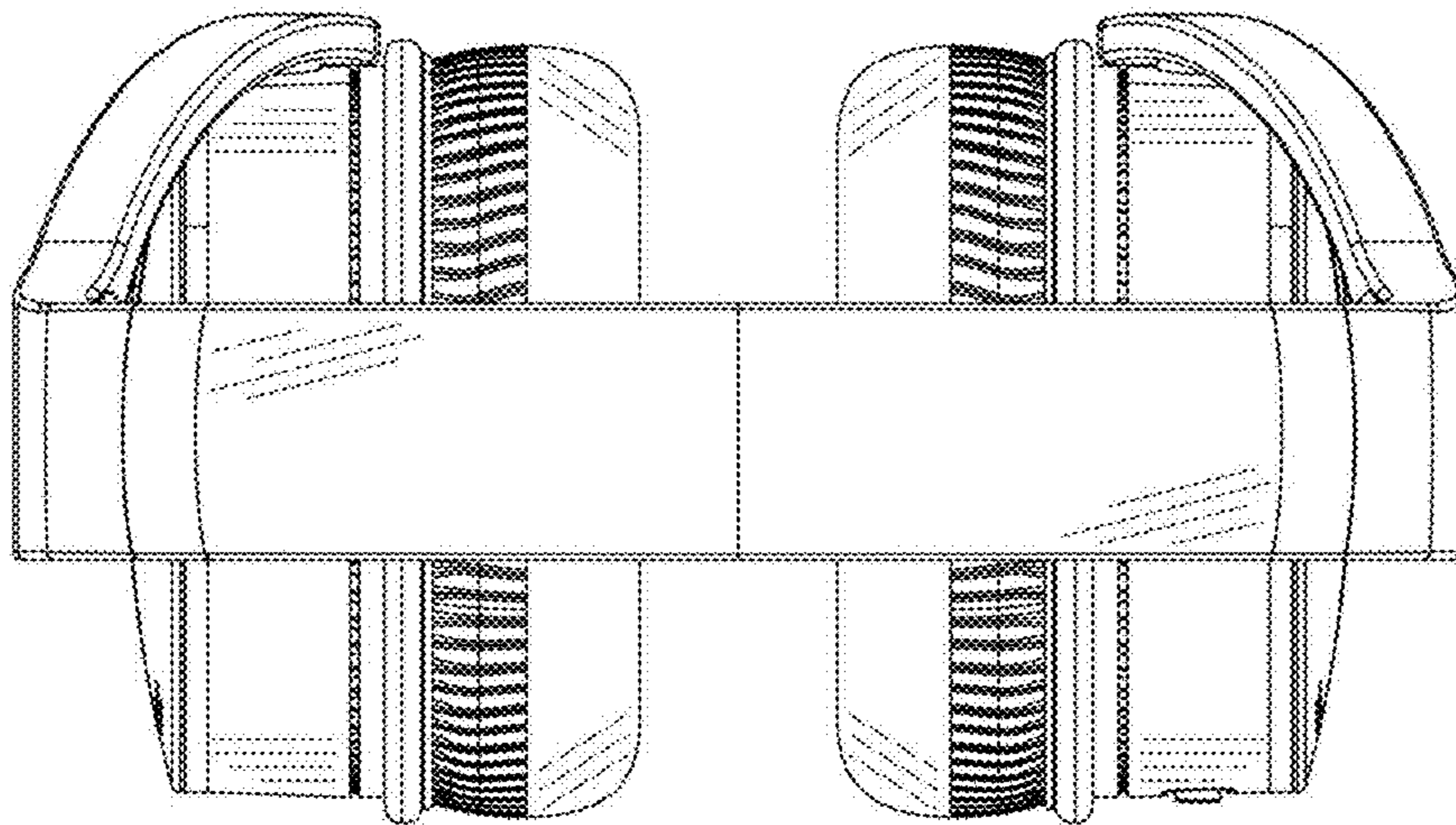


FIG.6



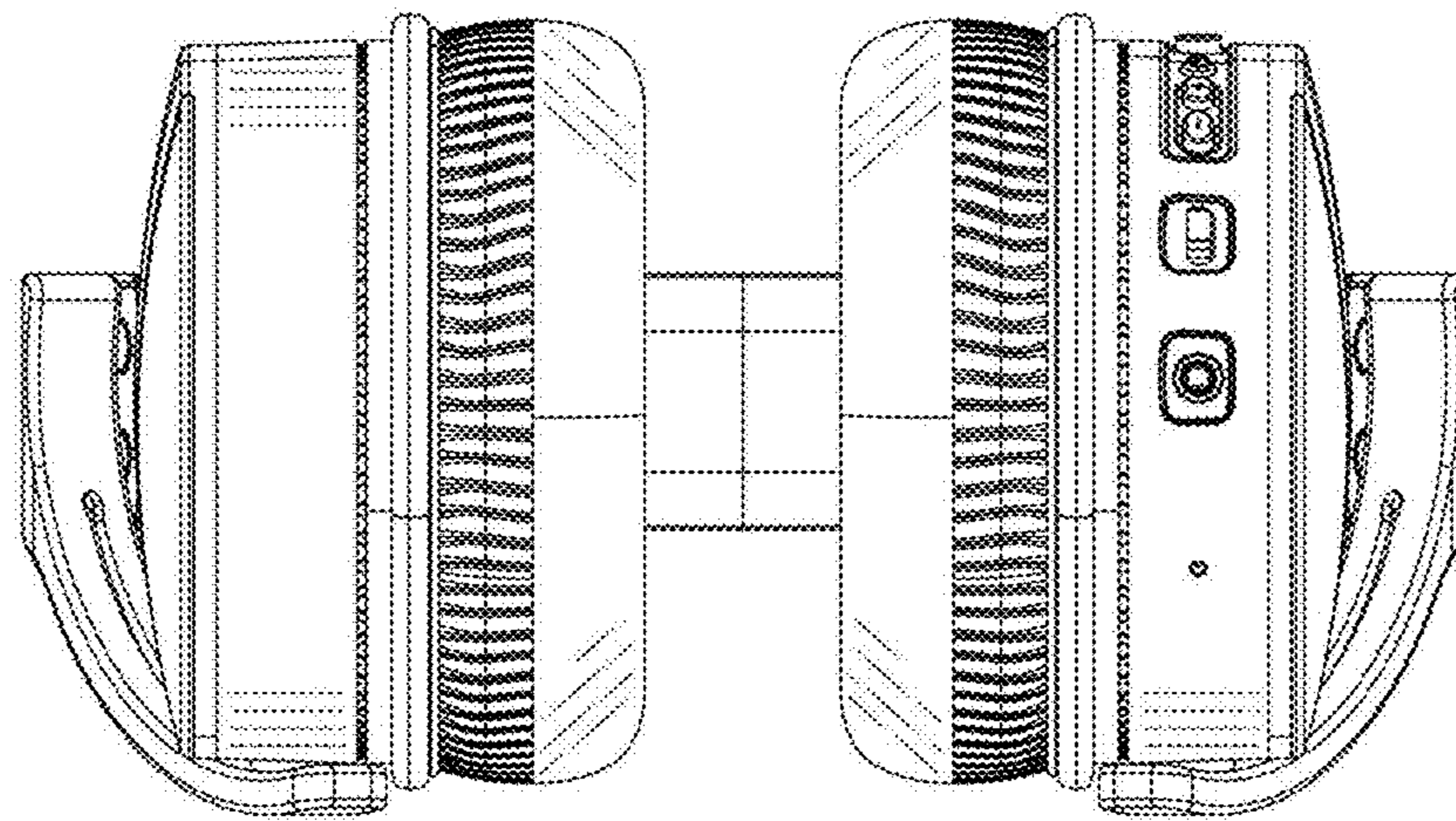


FIG.7