



US00D841617S

(12) **United States Design Patent**
Mei

(10) **Patent No.:** **US D841,617 S**

(45) **Date of Patent:** **** Feb. 26, 2019**

- (54) **HEADSET**
- (71) Applicant: **Qingkai Mei**, Guangdong (CN)
- (72) Inventor: **Qingkai Mei**, Guangdong (CN)
- (73) Assignee: **Shenzhen MeiDong Acoustics Co., LTD**, Lezhujiao, Xixiang, Baoan, Shenzhen, Guangdong (CN)
- (**) Term: **15 Years**
- (21) Appl. No.: **29/619,430**
- (22) Filed: **Sep. 29, 2017**
- (51) **LOC (11) Cl.** **14-01**
- (52) **U.S. Cl.**
USPC **D14/205**
- (58) **Field of Classification Search**
USPC D14/205, 206, 188, 192, 372; D29/112;
2/209; 181/129, 130, 135; 379/430, 431;
381/380, 381, 374, 74; 455/90.3, 575.1,
455/569.1
CPC H04R 1/1066; H04R 1/1016; H04R 25/02;
H04R 5/033; H04R 5/0335; H05R 25/00
See application file for complete search history.

- 6,606,506 B1 * 8/2003 Jones H04B 1/207
455/556.1
- D484,485 S * 12/2003 Matsuoka D14/205
- D520,492 S * 5/2006 Chen D14/205
- D530,306 S * 10/2006 Wang D14/189
- D538,261 S * 3/2007 Taylor D14/205
- D540,301 S * 4/2007 Obata D14/205
- D540,302 S * 4/2007 Hagiwara D14/205
- D541,255 S * 4/2007 Taylor D14/205
- D568,290 S * 5/2008 Wikel D14/205
- D583,800 S * 12/2008 Jaakkola D14/205
- D584,715 S * 1/2009 Brennwald D14/205
- D585,871 S * 2/2009 Lee D14/205
- D592,640 S * 5/2009 Tkachuk D14/205
- D639,776 S * 6/2011 Arimoto D14/205
- D673,518 S * 1/2013 Tan D14/205
- D673,520 S * 1/2013 Tan D14/205
- D691,984 S * 10/2013 Wang D14/205
- D695,262 S * 12/2013 Starck D14/205
- 8,675,885 B2 * 3/2014 Sapiejewski H04R 1/105
381/58
- D705,750 S * 5/2014 Wu H04R 1/1066
D14/205
- D729,765 S * 5/2015 Rivas D14/205
- D741,286 S * 10/2015 Brennwald D14/205

(Continued)

Primary Examiner — Paula Allen Greene

(57) **CLAIM**

I claim the ornamental design for a headset, as shown and described.

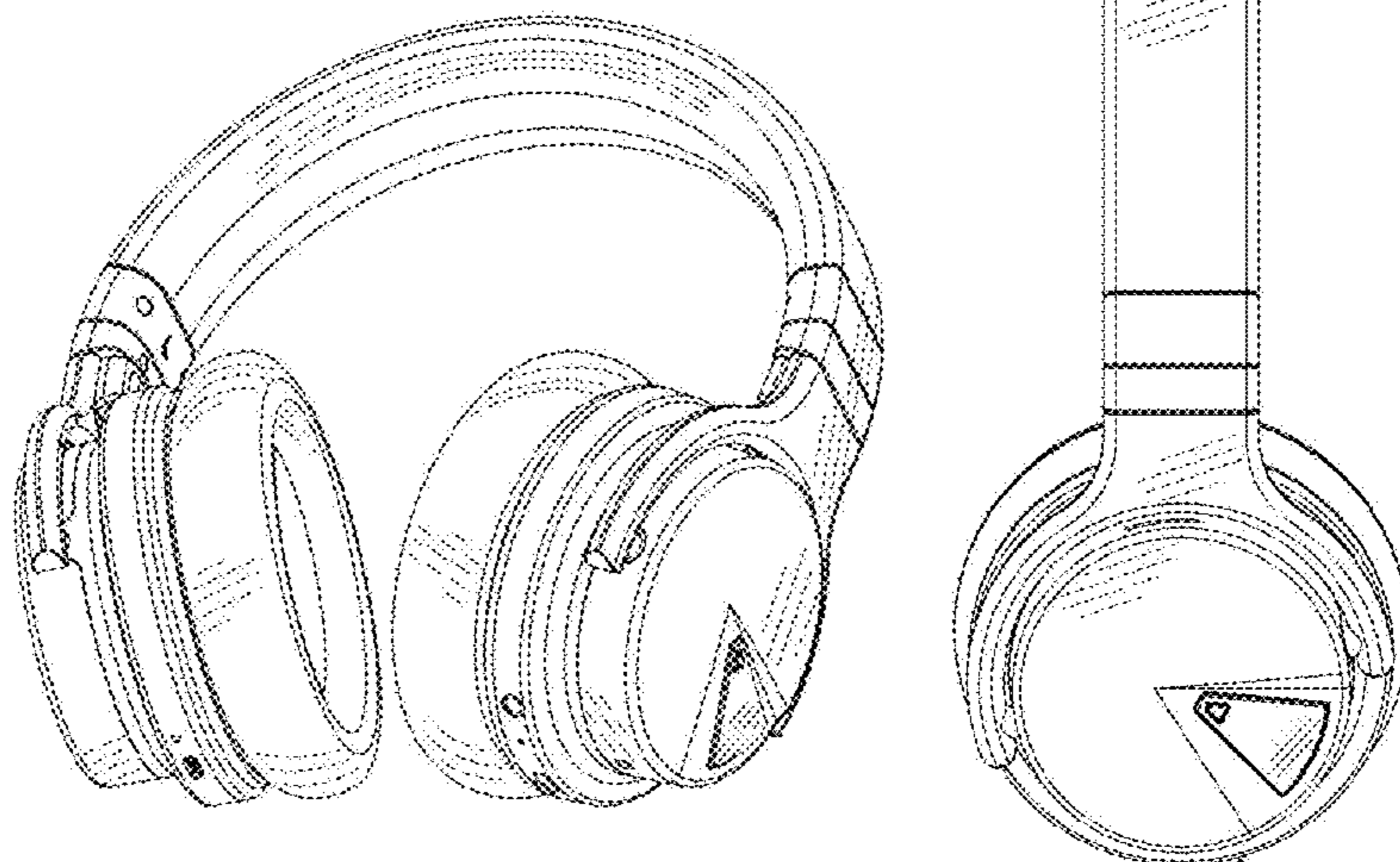
DESCRIPTION

FIG. 1 is a perspective view of a headset showing my new design;
 FIG. 2 is a front elevational view thereof;
 FIG. 3 is a rear elevational view thereof;
 FIG. 4 is a left side elevational view thereof;
 FIG. 5 is a right side elevational view thereof;
 FIG. 6 is a top plan view thereof; and,
 FIG. 7 is a bottom plan view thereof.

1 Claim, 7 Drawing Sheets

(56) **References Cited**
 U.S. PATENT DOCUMENTS

- D293,107 S * 12/1987 Muller D14/197
- D321,879 S * 11/1991 Emmerling D14/188
- D342,947 S * 1/1994 Totsuka D14/192
- D346,380 S * 4/1994 Fitzgerald D14/138 R
- D352,036 S * 11/1994 Sekita D14/192
- D358,391 S * 5/1995 Isono D14/205
- D376,598 S * 12/1996 Hayashi D14/205
- D377,174 S * 1/1997 Runquist D14/206
- D394,436 S * 5/1998 Hall D14/206
- D411,200 S * 6/1999 Almqvist D14/192
- D467,895 S * 12/2002 Hirano D14/192



(56)

References Cited

U.S. PATENT DOCUMENTS

D745,859 S *	12/2015	Kiuchi	D14/205
D758,337 S *	6/2016	Szymanski	D14/205
D769,218 S *	10/2016	Mittal	D14/205
D780,713 S *	3/2017	Szymanski	D14/205
D782,995 S *	4/2017	Matthews	D14/205
D801,301 S *	10/2017	Damboulev	D14/205
D807,322 S *	1/2018	Damboulev	D14/205
D823,326 S *	7/2018	Pinzon Garcia	D14/486
2007/0154051 A1 *	7/2007	Wang	H04R 5/0335 381/384
2008/0037816 A1 *	2/2008	Lee	H04R 5/0335 381/379

* cited by examiner



FIG. 1

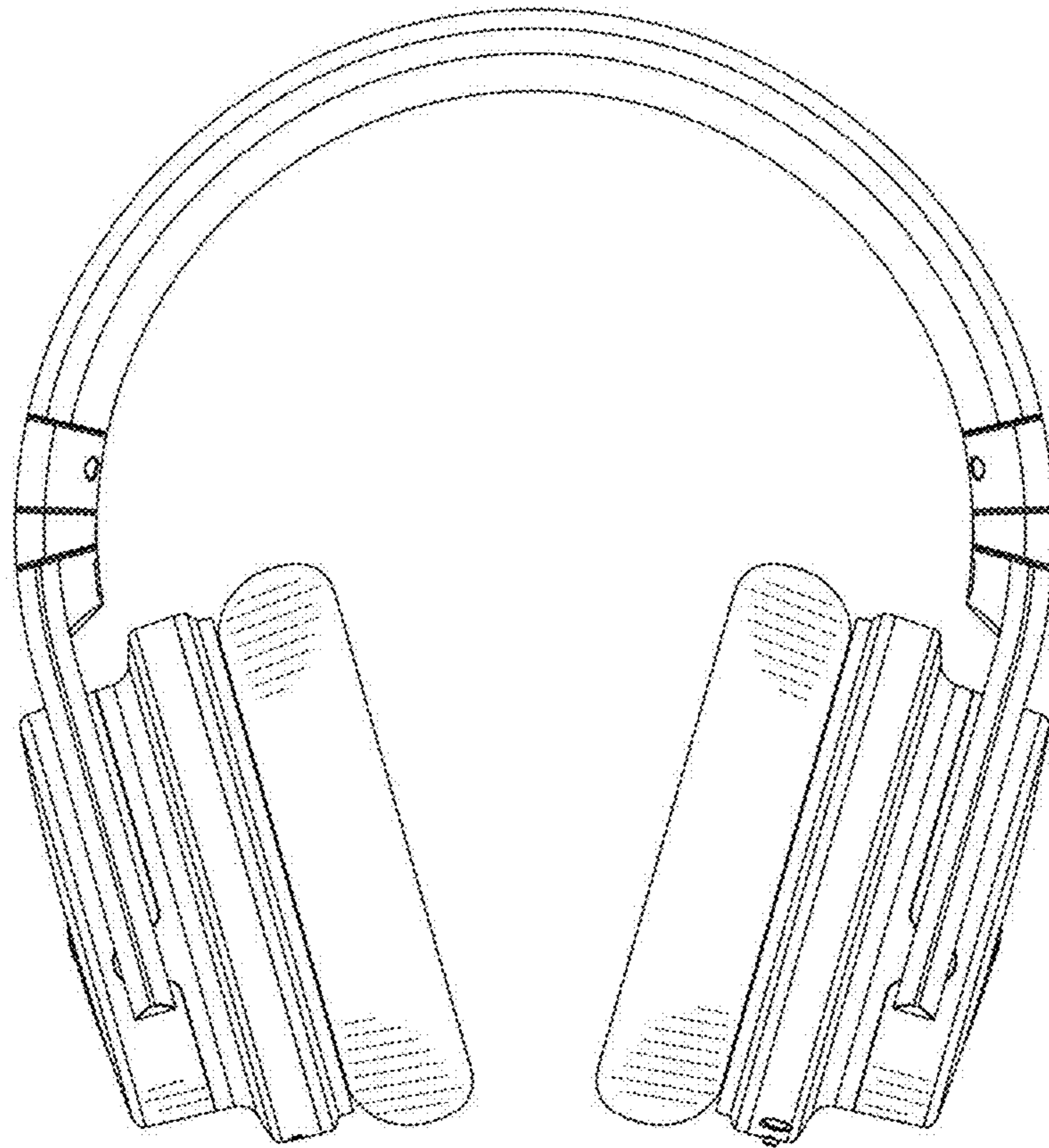


FIG.2

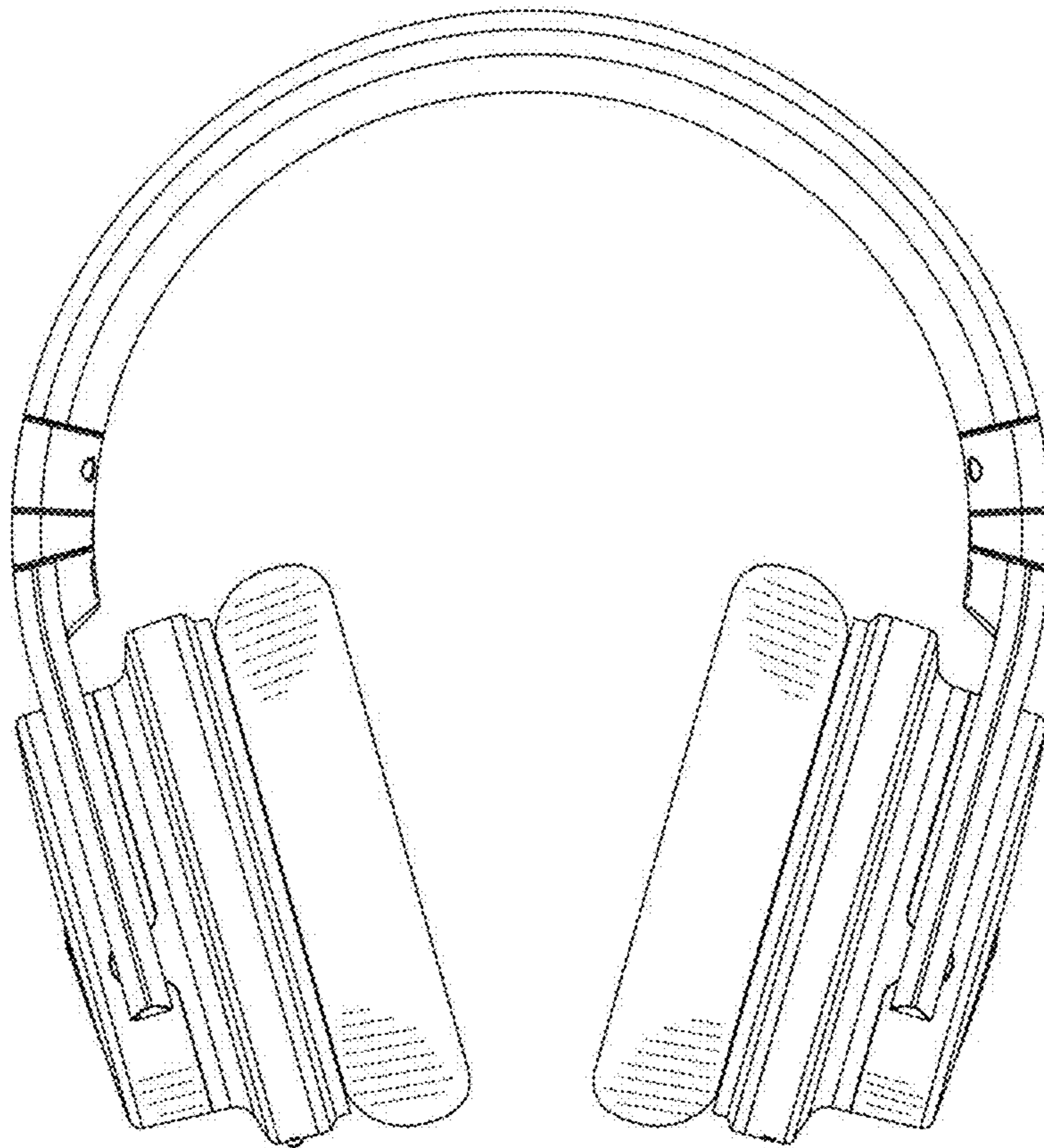


FIG.3

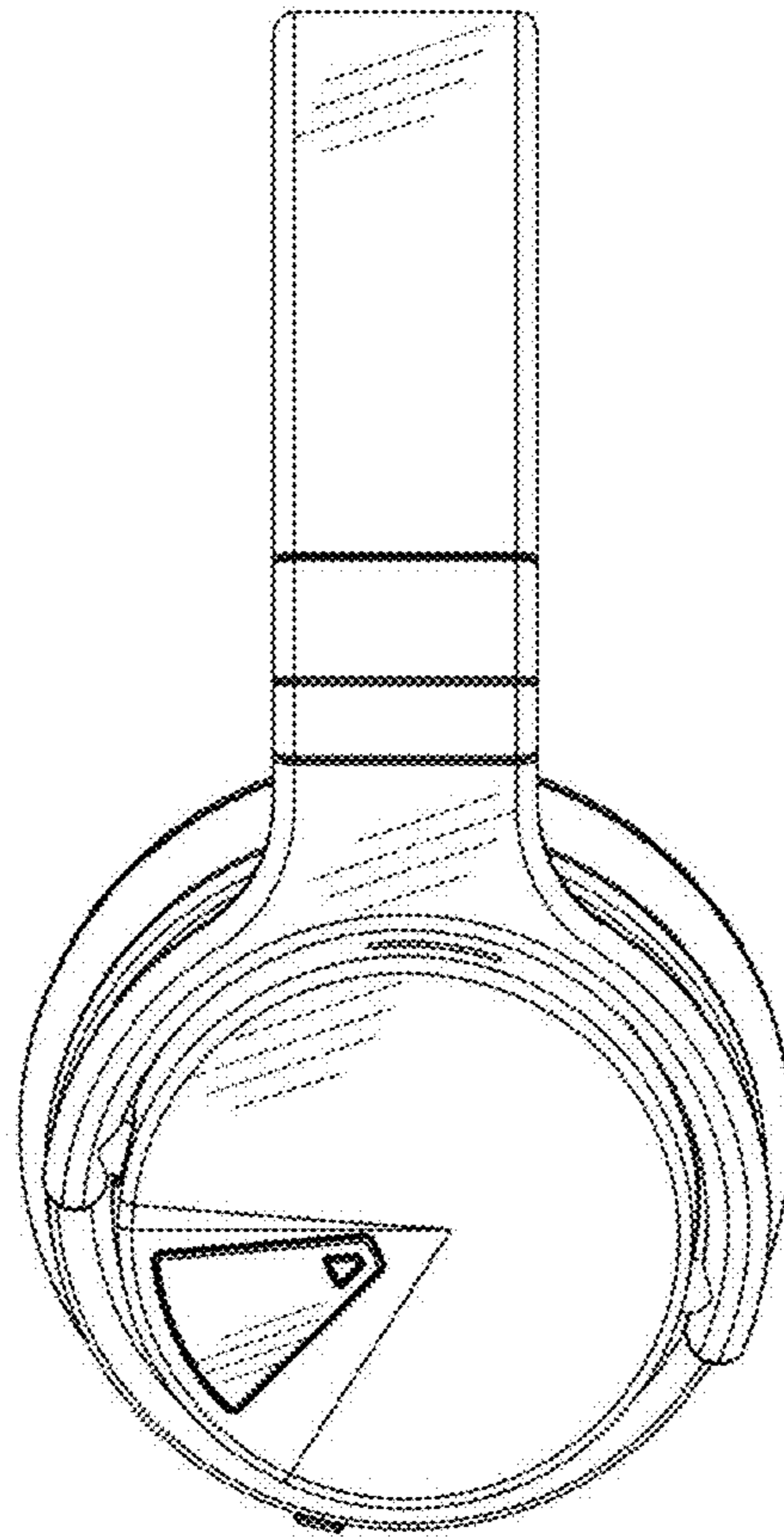


FIG.4

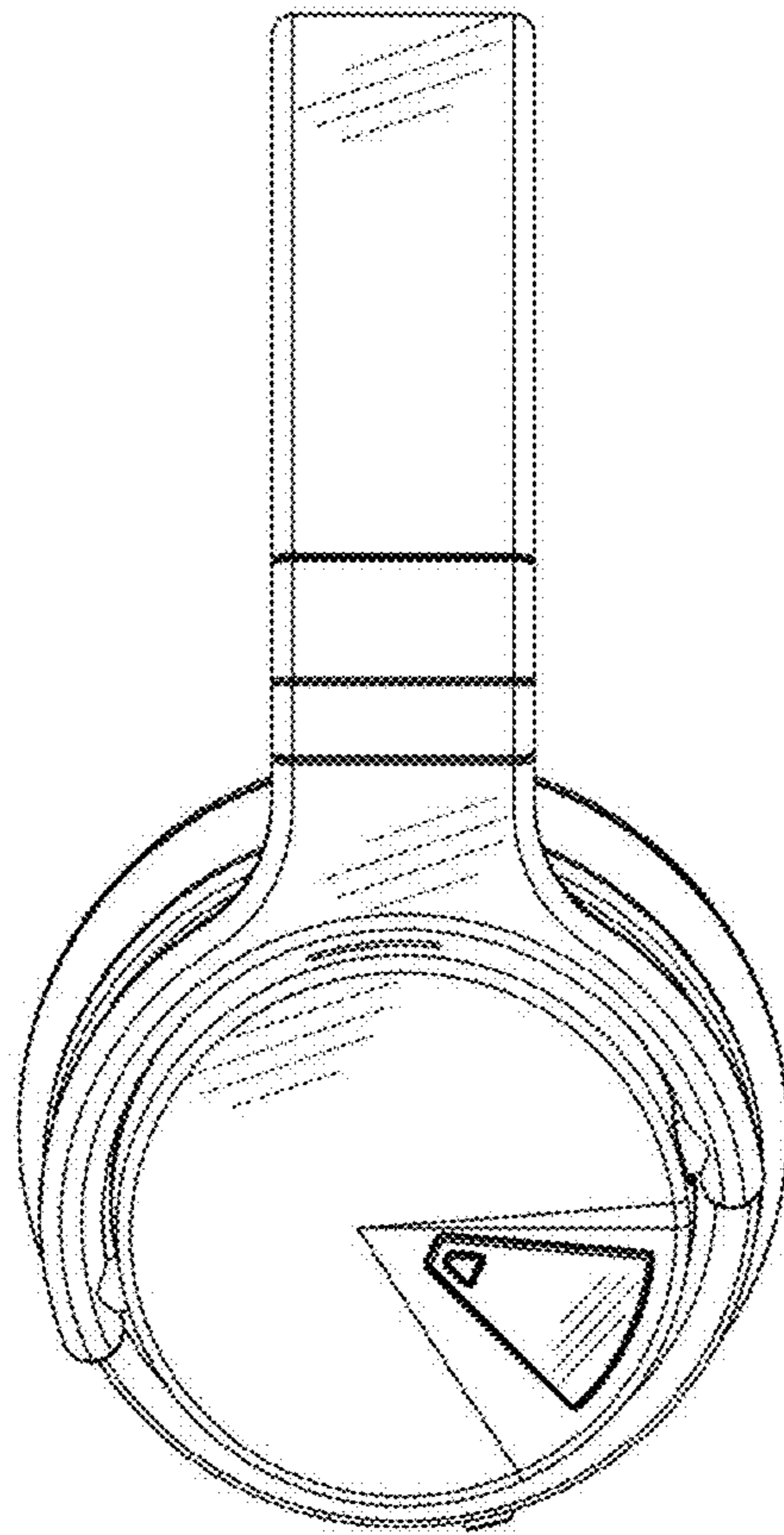


FIG.5

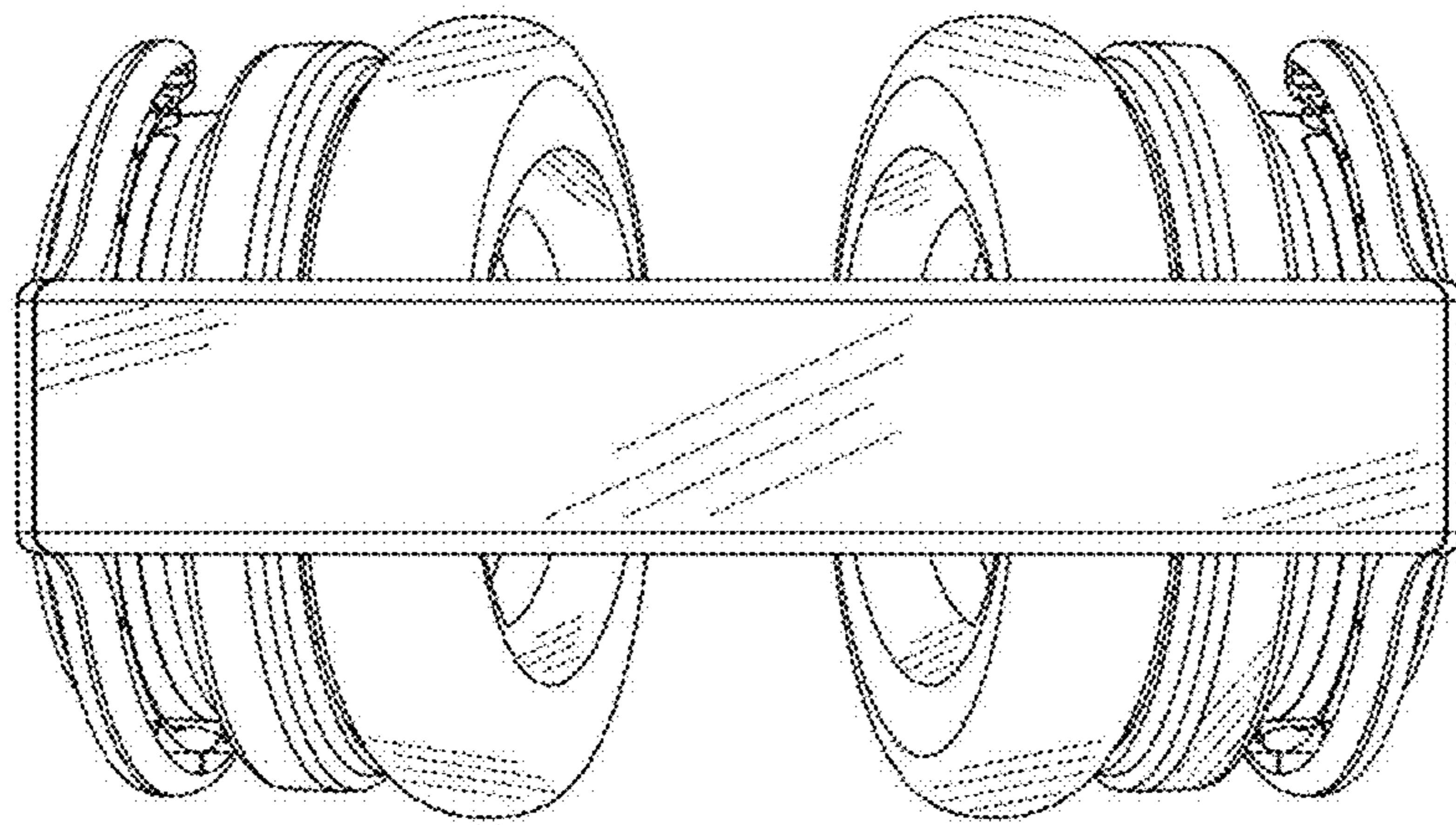


FIG.6

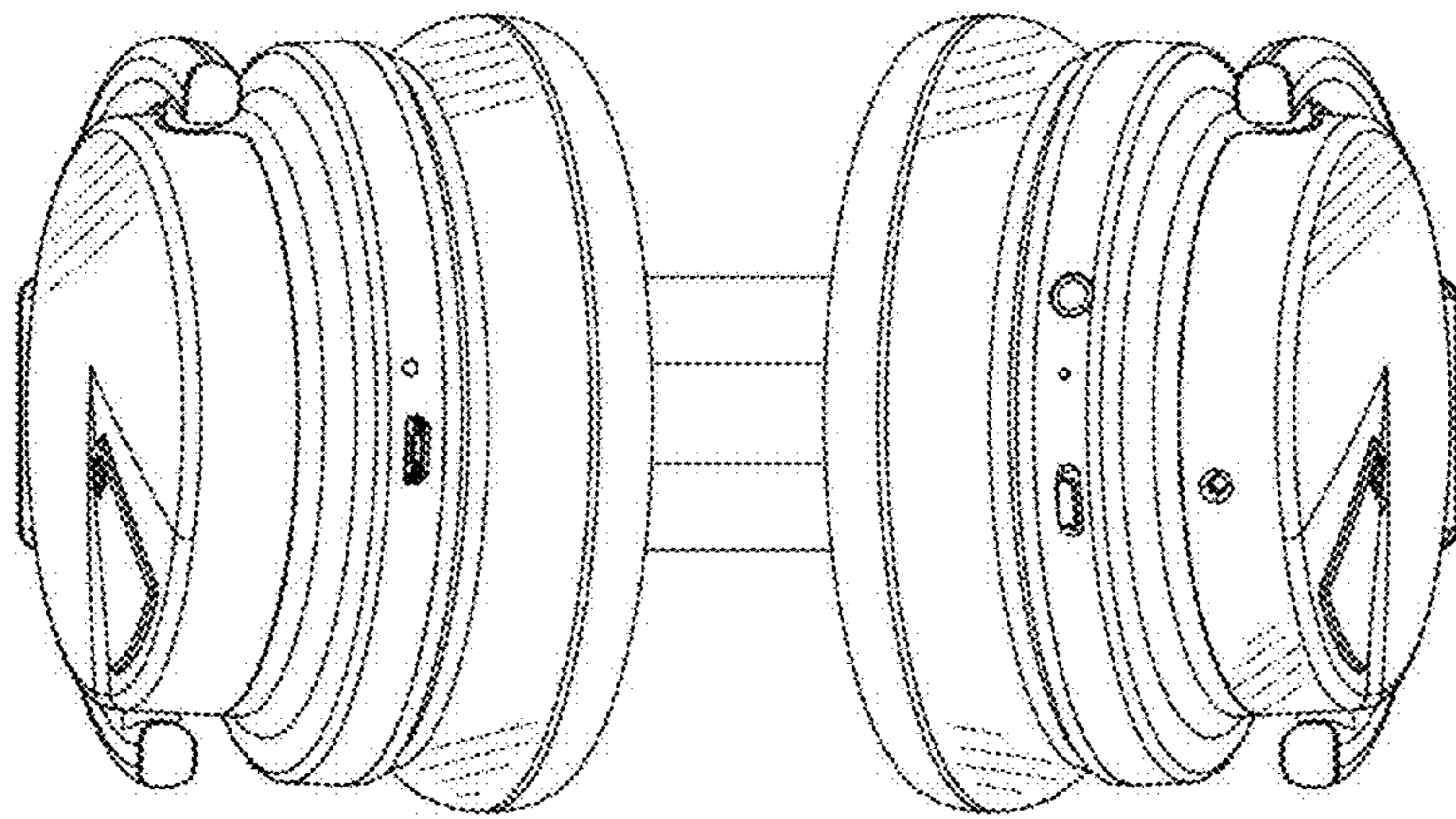


FIG.7