



US00D841616S

(12) **United States Design Patent**
Bian et al.

(10) **Patent No.:** **US D841,616 S**

(45) **Date of Patent:** **** Feb. 26, 2019**

(54) **AUDIO LISTENING SYSTEM**

(71) Applicant: **Head-Direct (Kunshan) Company Limited, Kunshan (CN)**

(72) Inventors: **Fang Bian, Kunshan (CN); Carol Catalano, Boston, MA (US); Peter Castellucci, Boston, MA (US)**

(73) Assignee: **HEAD-DIRECT (KUNSHAN) COMPANY LIMITED, Kunshan (CN)**

(**) Term: **15 Years**

(21) Appl. No.: **29/605,585**

(22) Filed: **May 26, 2017**

(30) **Foreign Application Priority Data**

Dec. 30, 2016 (CN) 2016 3 0659290

(51) **LOC (11) Cl.** **14-01**

(52) **U.S. Cl.**
USPC **D14/205**

(58) **Field of Classification Search**
USPC D14/205, 219, 188, 192, 221, 210, 215, D14/216, 225-228; D29/112; 2/209; 181/129, 130, 135; 379/430, 431; 381/380, 381, 370, 371, 379, 345, 328, 381/355, 180, 356, 300-303, 306, 332, 381/333, 336, 361-364, 385, 386; 455/90.3, 575.1, 569.1
CPC H04R 25/00; H04R 25/02; H04R 1/1066; H04R 1/1016; H04R 5/033; H04R 5/0335
See application file for complete search history.

(56) **References Cited**

U.S. PATENT DOCUMENTS

1,666,303 A * 4/1928 Platt F41H 5/26
109/10
1,804,529 A * 5/1931 Dreyfus D01C 5/00
216/83

D156,329 S * 12/1949 Federico et al. D14/227
D158,448 S * 5/1950 Ethington D14/215
2,670,807 A * 3/1954 Brown H04R 7/00
381/186
D182,794 S * 5/1958 Eames D14/214
2,924,290 A * 2/1960 Zuerker H04R 7/12
181/165
D199,676 S * 12/1964 Reed D14/215
D203,187 S * 12/1965 Deschamps D14/225
D246,519 S * 11/1977 Kato D14/205
4,424,881 A * 1/1984 Hattori H04R 1/025
181/150
D278,901 S * 5/1985 Murphy D14/214
4,796,307 A * 1/1989 Vantine A63B 71/10
2/13
D317,159 S * 5/1991 Kurata D14/216
D317,160 S * 5/1991 Kurata D14/216
D345,163 S * 3/1994 Yamatogi D14/205
D346,804 S * 5/1994 Tokiyama D14/225
5,420,935 A * 5/1995 Shinohara H04R 1/1016
379/431

(Continued)

Primary Examiner — Paula Allen Greene

(74) *Attorney, Agent, or Firm* — Baker & Hostetler LLP

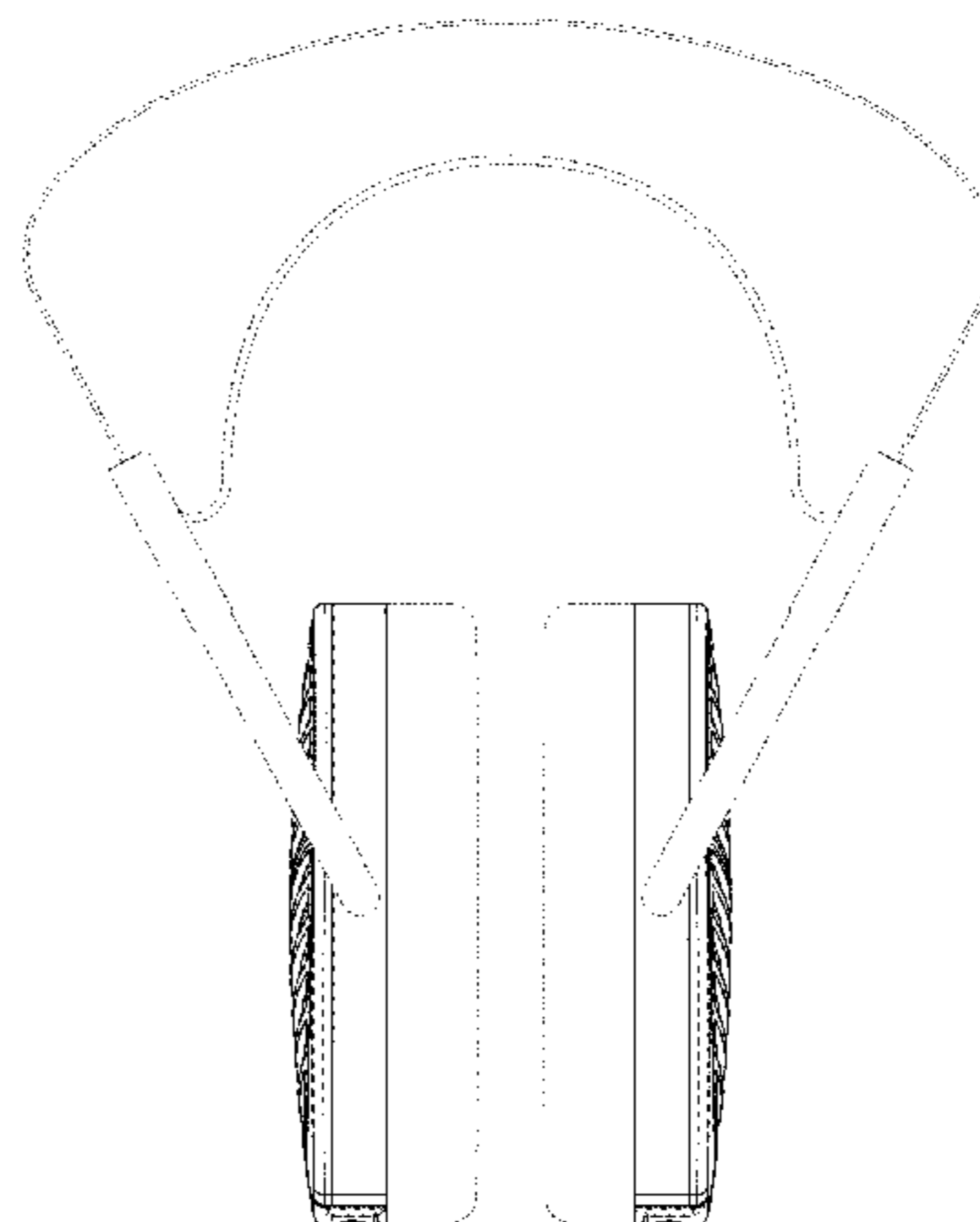
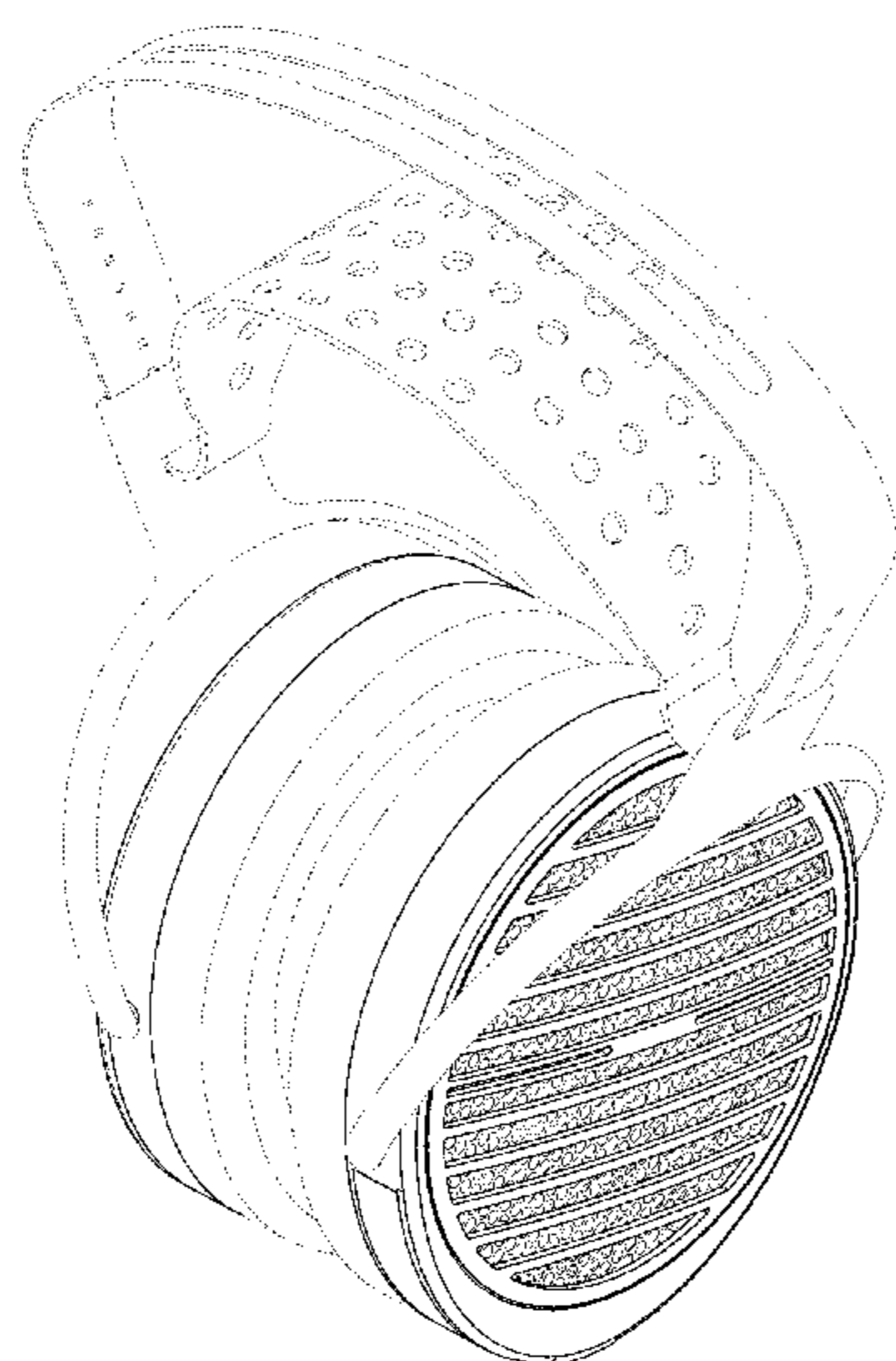
(57) **CLAIM**

We claim the ornamental design for an audio listening system, as shown and described.

DESCRIPTION

FIG. 1 is a perspective view of an audio listening system showing our design;
FIG. 2 is a front view thereof;
FIG. 3 is a rear view thereof;
FIG. 4 is a top view thereof;
FIG. 5 is a bottom view thereof; and,
FIG. 6 is a right side view thereof.
The broken lines in the figures show portions of the audio listening system that form no part of the claimed design.

1 Claim, 4 Drawing Sheets



(56)

References Cited

U.S. PATENT DOCUMENTS

| | | | | | | |
|-----------|----|---|---------|-----------|-------|------------------------|
| D376,598 | S | * | 12/1996 | Hayashi | | D14/205 |
| D387,059 | S | * | 12/1997 | Peng | | D14/214 |
| D390,951 | S | * | 2/1998 | Yeh | | D14/214 |
| D410,466 | S | * | 6/1999 | Mouri | | D14/205 |
| D420,356 | S | * | 2/2000 | Suzuki | | D14/205 |
| D422,206 | S | * | 4/2000 | Clark | | D14/219 |
| D432,522 | S | * | 10/2000 | Kieltyka | | D14/214 |
| D435,249 | S | * | 12/2000 | Yasutomi | | D14/205 |
| D467,580 | S | * | 12/2002 | Mori | | D14/223 |
| D519,495 | S | * | 4/2006 | Lum | | D14/221 |
| D567,215 | S | * | 4/2008 | Lee | | D14/205 |
| 7,388,960 | B2 | * | 6/2008 | Kuo | | H04R 1/1041 379/430 |
| D652,022 | S | * | 1/2012 | Miyawaki | | D14/216 |
| D712,872 | S | * | 9/2014 | Yuen | | D14/205 |
| D727,281 | S | * | 4/2015 | Levine | | D14/205 |
| D728,512 | S | * | 5/2015 | Nakagawa | | D14/205 |
| D736,175 | S | * | 8/2015 | Levine | | D14/205 |
| D746,790 | S | * | 1/2016 | Strasberg | | D14/205 |
| D762,191 | S | * | 7/2016 | Levine | | D14/205 |
| D765,055 | S | * | 8/2016 | Hsieh | | D14/205 |
| D766,870 | S | * | 9/2016 | Catalano | | D14/205 |
| D784,956 | S | * | 4/2017 | Homewood | | D14/205 |
| 9,774,943 | B1 | * | 9/2017 | Weitzner | | H04R 1/105 |
| D812,588 | S | * | 3/2018 | Levine | | D14/205 |
| D812,589 | S | * | 3/2018 | Wernblad | | D14/205 |
| D815,615 | S | * | 4/2018 | Wernblad | | D14/205 |

* cited by examiner

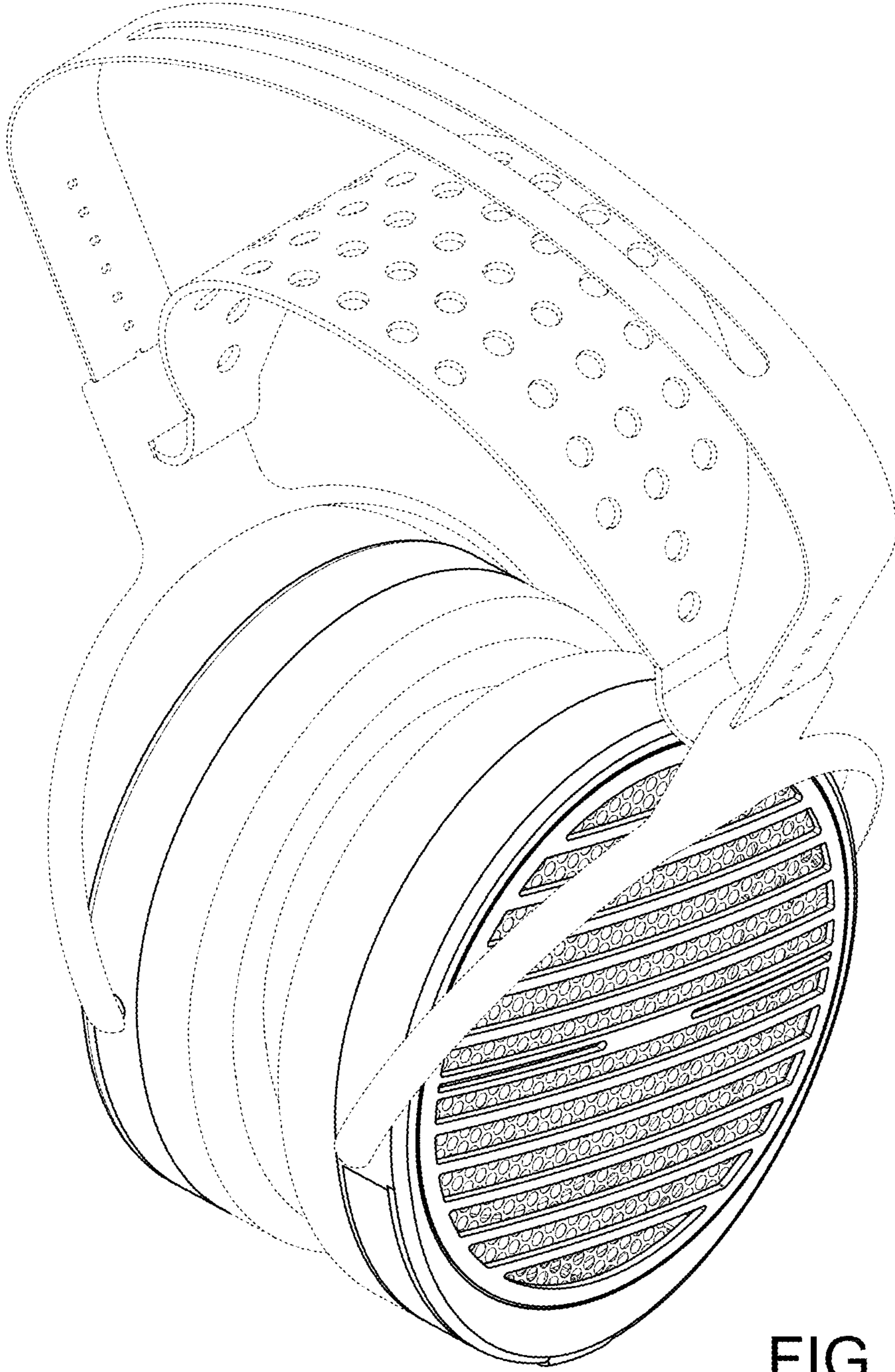


FIG. 1

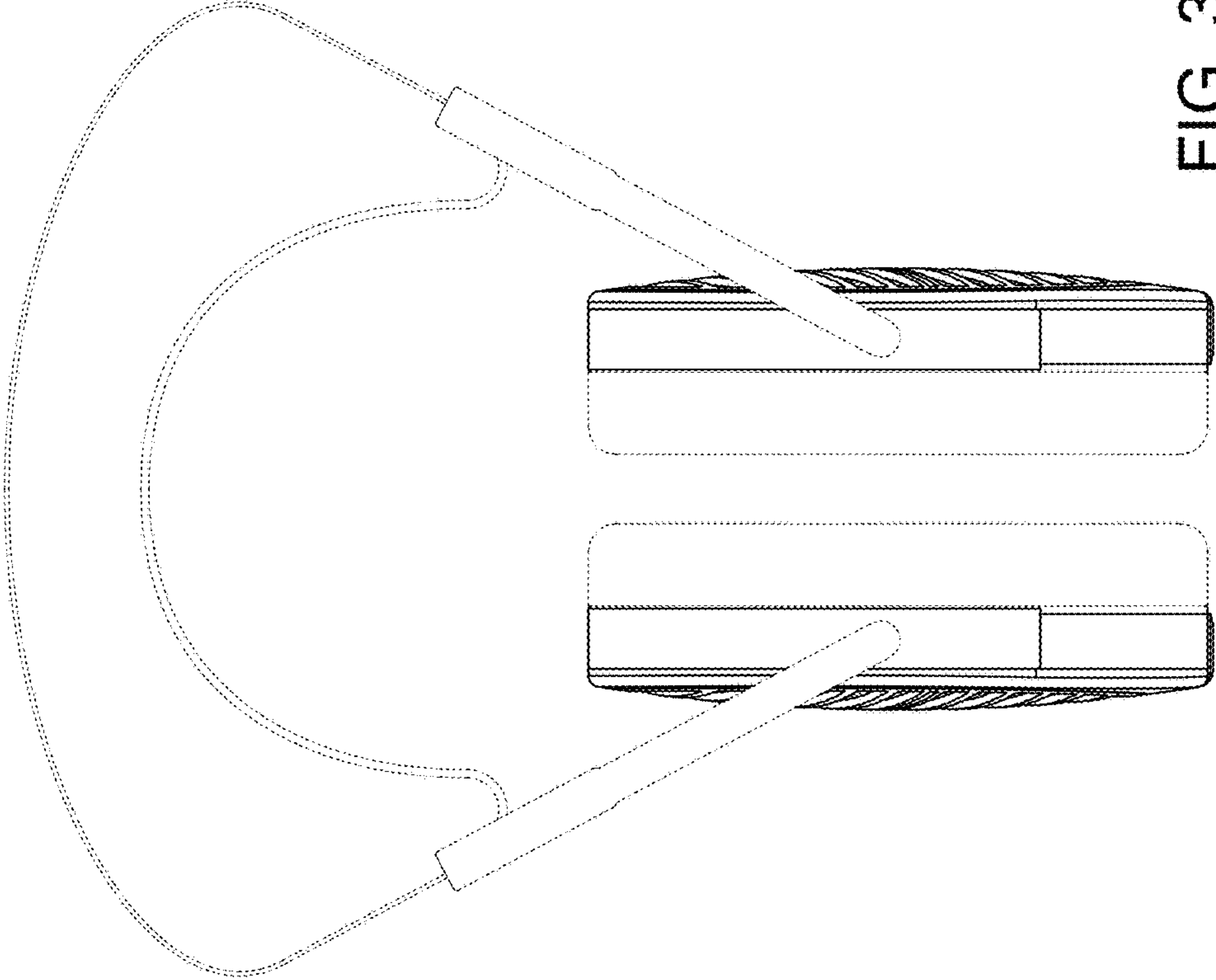


FIG. 2

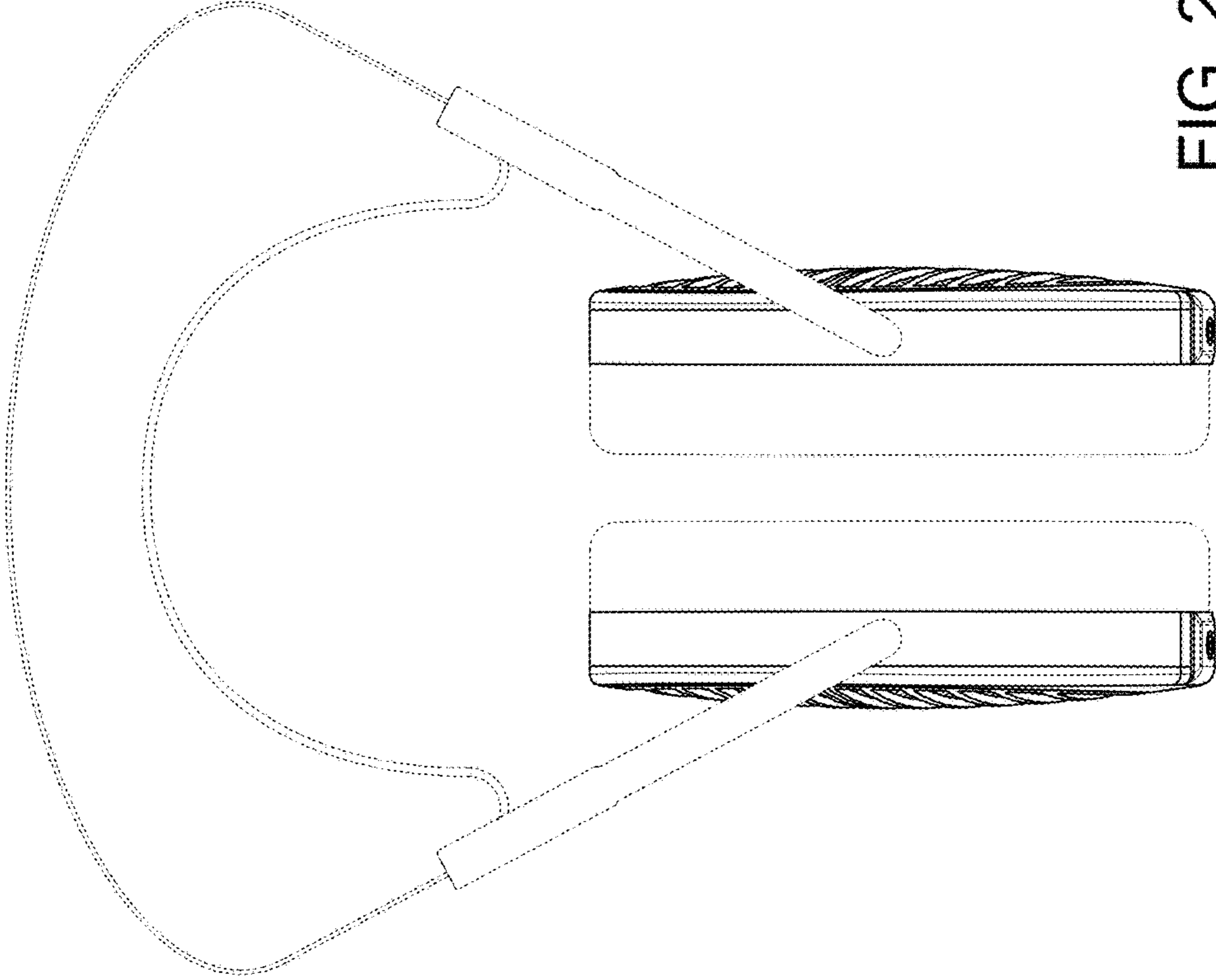


FIG. 3

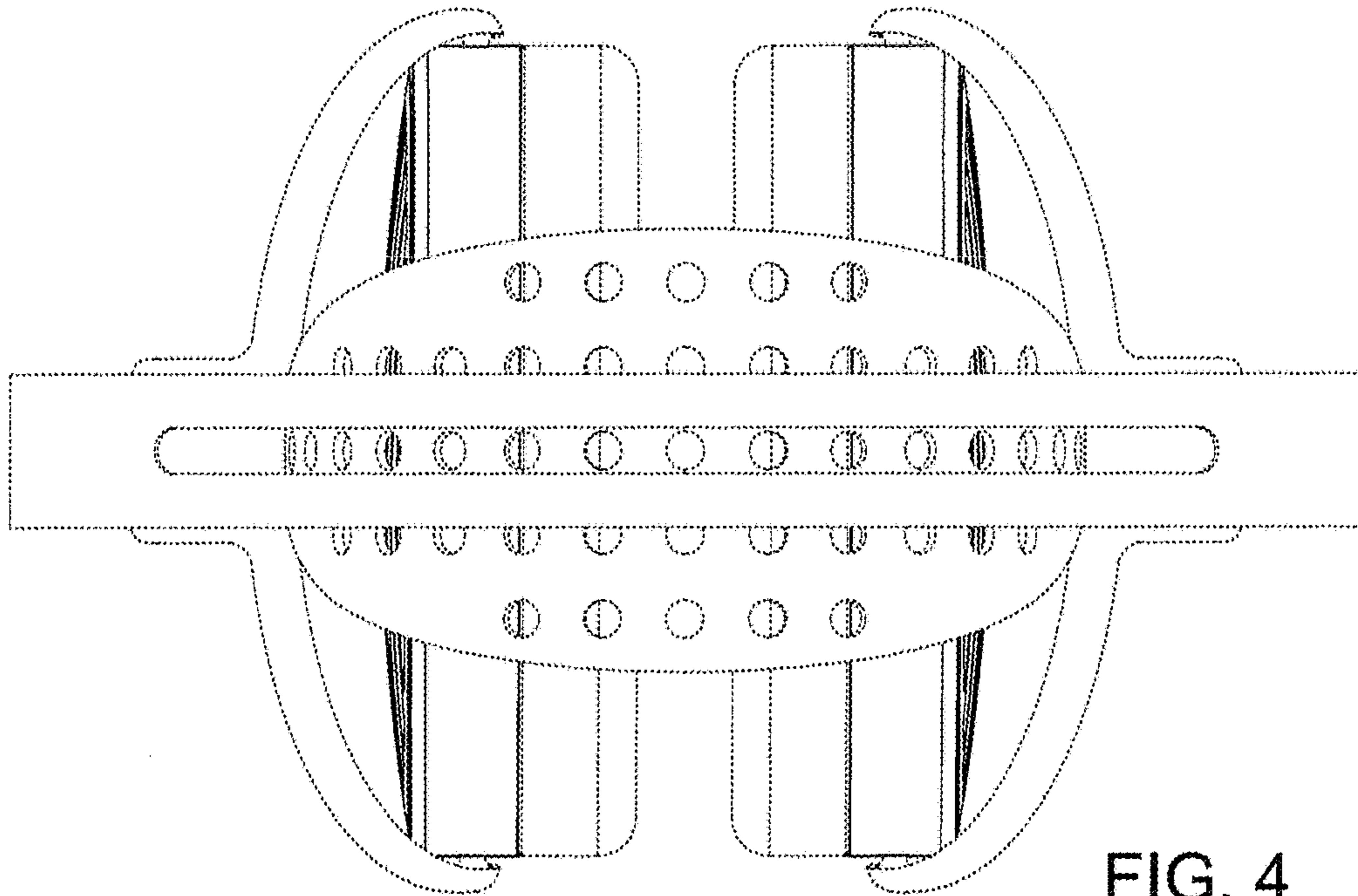


FIG. 4

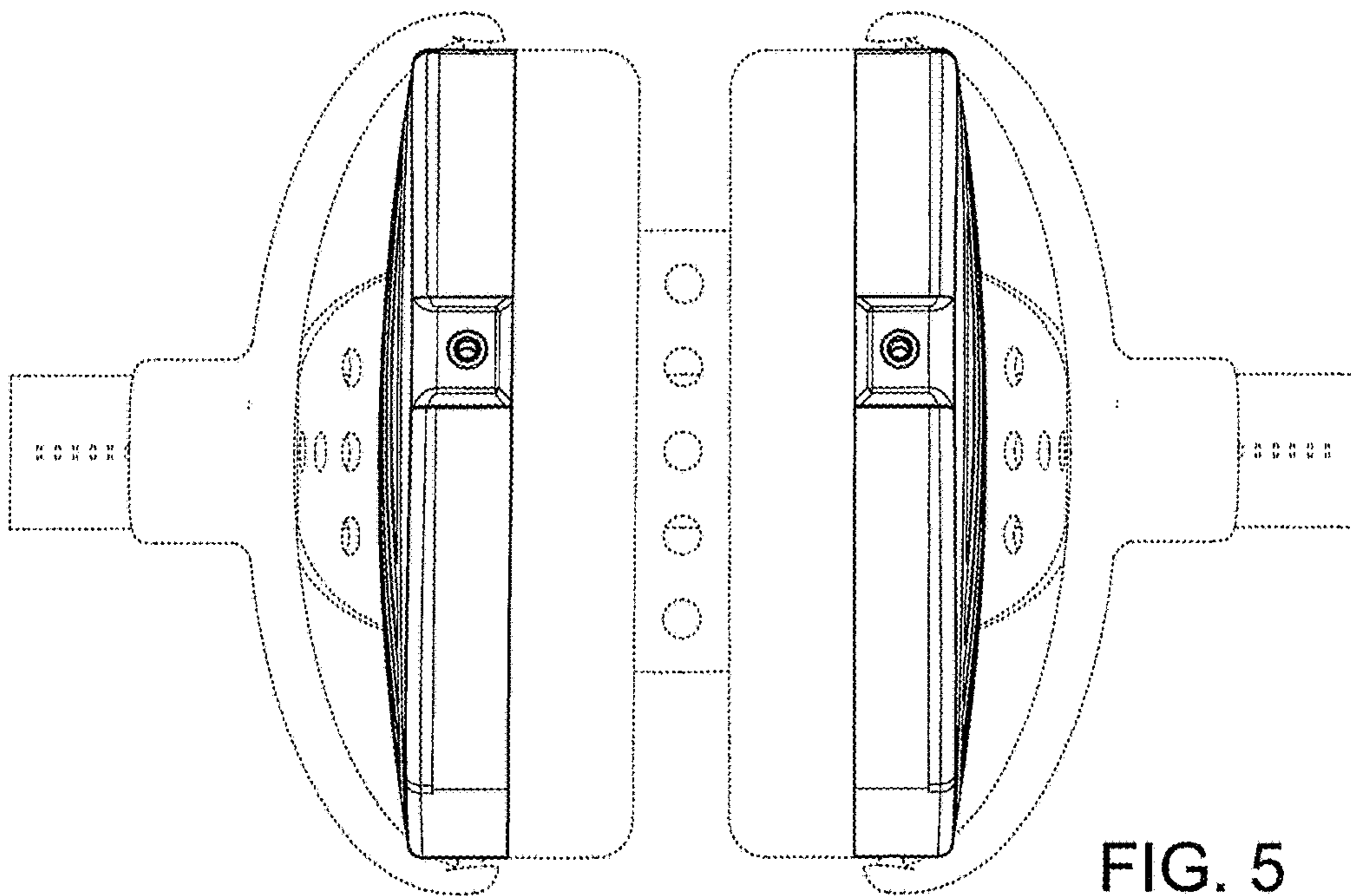


FIG. 5

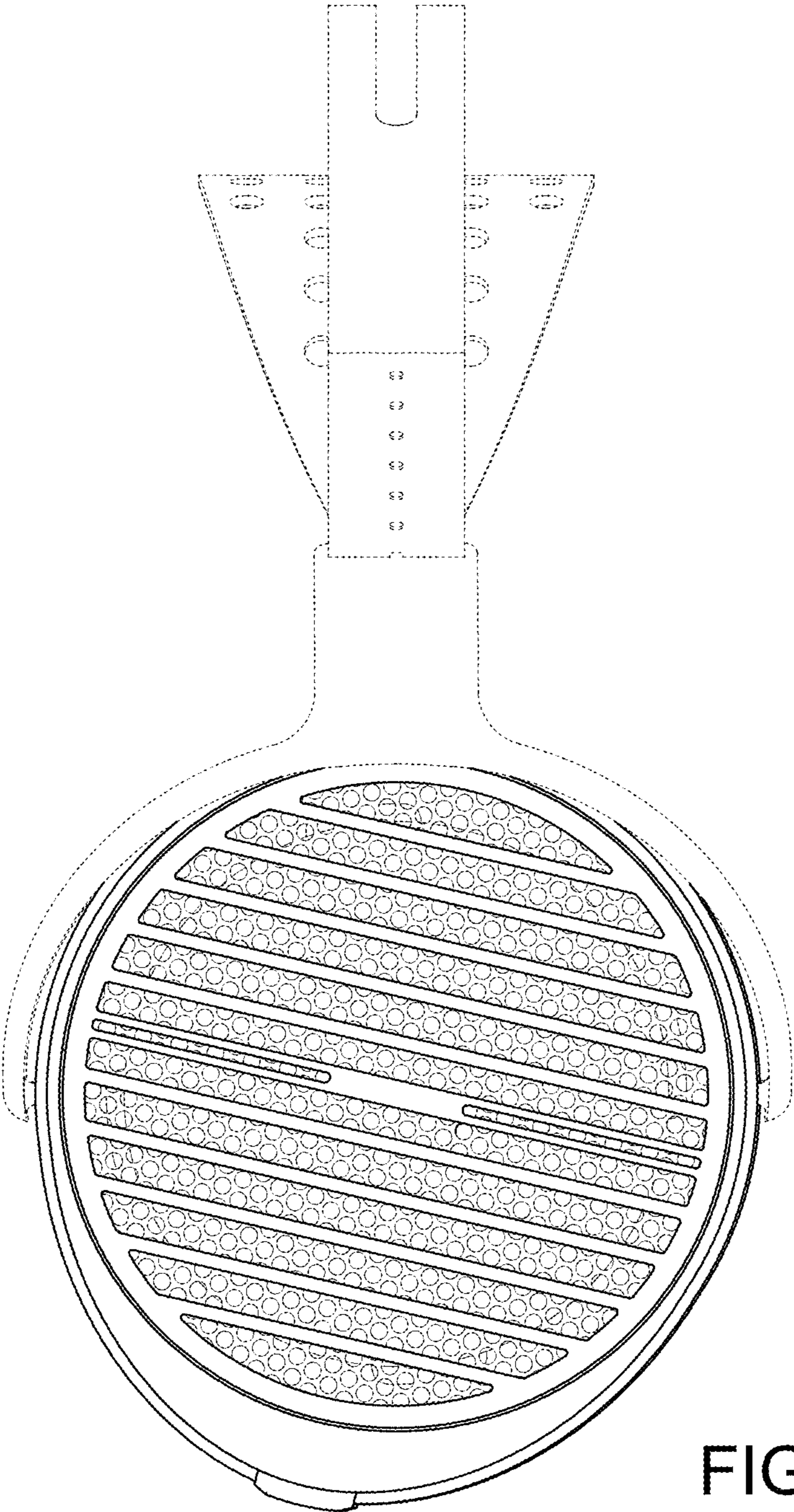


FIG. 6