



US00D841614S

(12) **United States Design Patent** (10) **Patent No.:** **US D841,614 S**
Krapfl et al. (45) **Date of Patent:** **** Feb. 26, 2019**

(54) **LOUDSPEAKER**
 (71) Applicant: **Robert Bosch GmbH**, Stuttgart (DE)
 (72) Inventors: **Clifford Krapfl**, Chicago, IL (US);
Motokimi Jono, Chicago, IL (US);
Jong Noh, Chicago, IL (US)
 (73) Assignee: **Robert Bosch GmbH**, Stuttgart (DE)
 (**) Term: **15 Years**
 (21) Appl. No.: **29/626,386**
 (22) Filed: **Nov. 16, 2017**
 (30) **Foreign Application Priority Data**

May 31, 2017 (EM) 004026011
 (51) **LOC (11) Cl.** **14-01**
 (52) **U.S. Cl.**
 USPC **D14/204**
 (58) **Field of Classification Search**
 USPC D14/188, 203.1, 203.3, 204, 210–216,
 D14/219, 221, 356, 363, 365–368, 496;
 181/143, 144, 148, 153, 157, 198, 199;
 369/6–12; 381/300–303, 361–364,
 381/386–388
 CPC H04R 1/02; H04R 1/021; H04R 1/023;
 H04R 5/00; H04R 9/06; H04R 2420/07
 See application file for complete search history.

(56) **References Cited**
 U.S. PATENT DOCUMENTS

D265,990 S * 8/1982 Hartwein D14/214
 D347,225 S * 5/1994 Lowy D14/204
 D392,976 S * 3/1998 Fenner D14/211
 D492,281 S * 6/2004 Hakoda D14/211
 D512,986 S * 12/2005 Lee D14/211
 D522,492 S * 6/2006 Carbone D14/211

D525,615 S * 7/2006 Tanaka D14/211
 D568,292 S * 5/2008 Tsuge D14/211
 D596,157 S * 7/2009 Warden D14/211

OTHER PUBLICATIONS

JBL Professional EON One Portable All-in-One Linear-Array 6-Channel PA System, announced Apr. 5, 2016, [online], site visited Sep. 27, 2018. Available from Internet, URL: <http://www.amazon.com> (Year: 2016).*

* cited by examiner

Primary Examiner — Derrick E Holland
Assistant Examiner — Janice Patyk
 (74) *Attorney, Agent, or Firm* — Maginot, Moore & Beck LLP

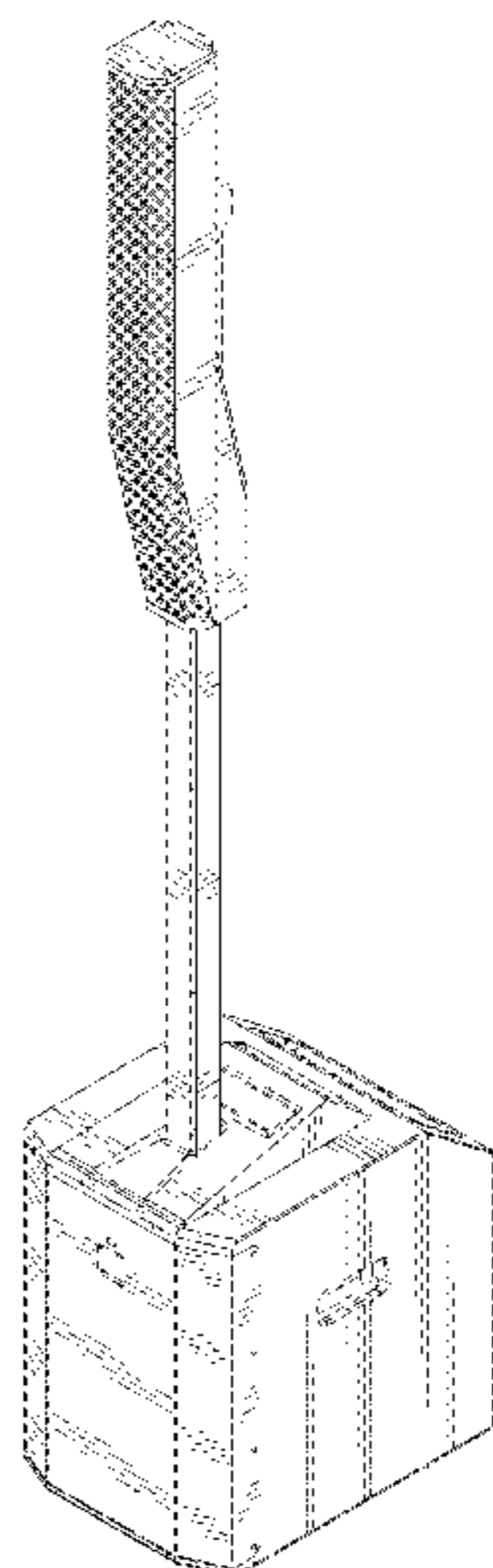
(57) **CLAIM**

The ornamental design for a loudspeaker, as shown and described.

DESCRIPTION

FIG. 1 is a front perspective view of a loudspeaker showing our new design;
 FIG. 2 is a right side elevational view of the loudspeaker of FIG. 1;
 FIG. 3 is a left side elevational view of the loudspeaker of FIG. 1;
 FIG. 4 is a front elevational view of the loudspeaker of FIG. 1;
 FIG. 5 is a rear elevational view of the loudspeaker of FIG. 1;
 FIG. 6 is a top plan view of the loudspeaker of FIG. 1; and,
 FIG. 7 is a bottom plan view of the loudspeaker of FIG. 1.
 The broken lines shown in the drawings illustrate portions of the loudspeaker that form no part of the claimed design.

1 Claim, 7 Drawing Sheets



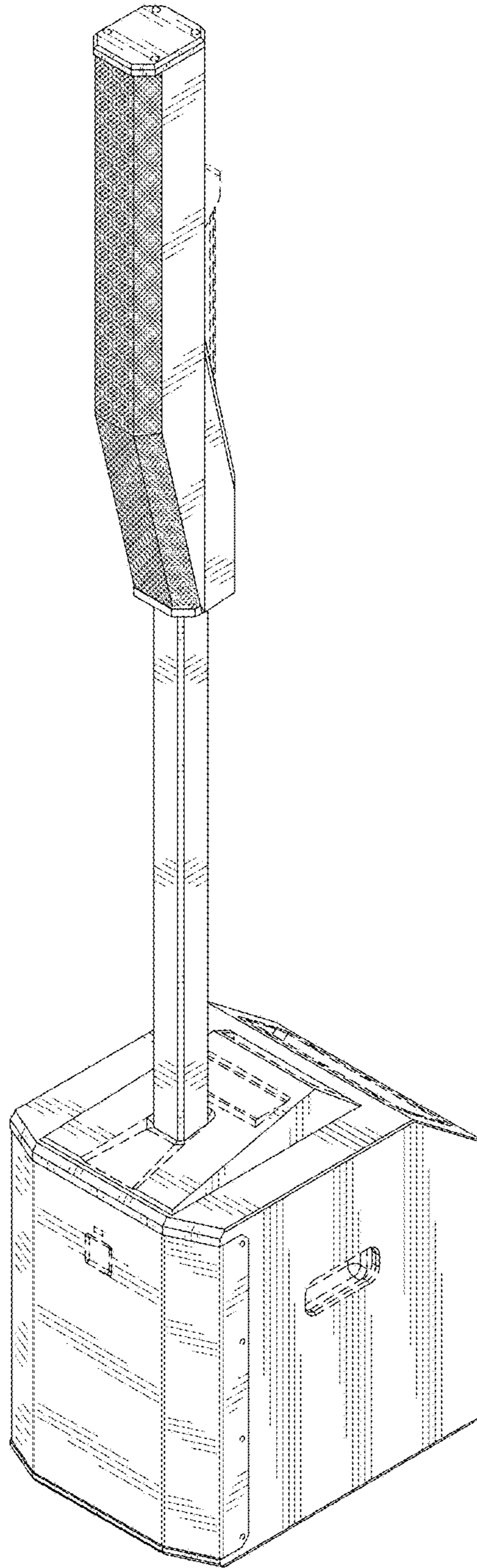


Fig. 1

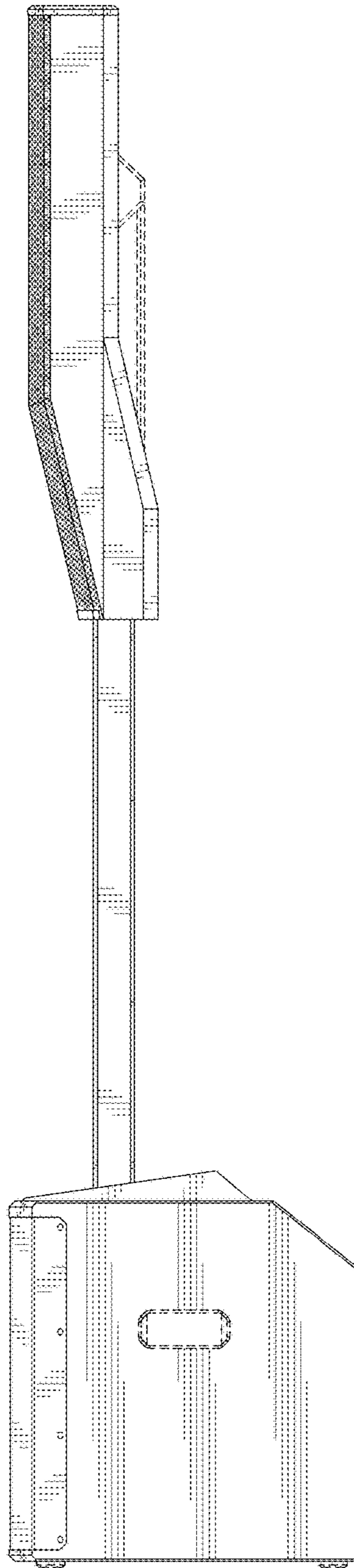


Fig. 2

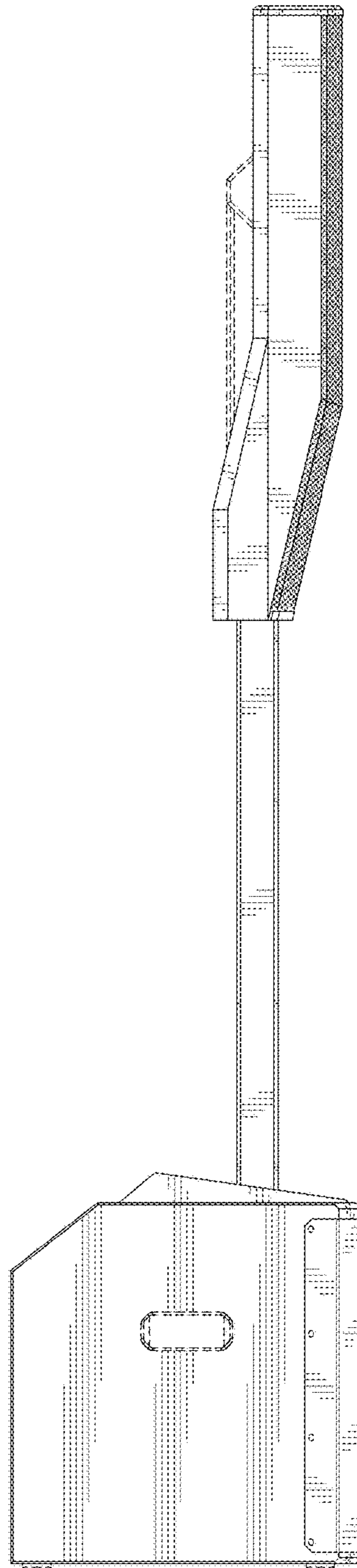


Fig. 3

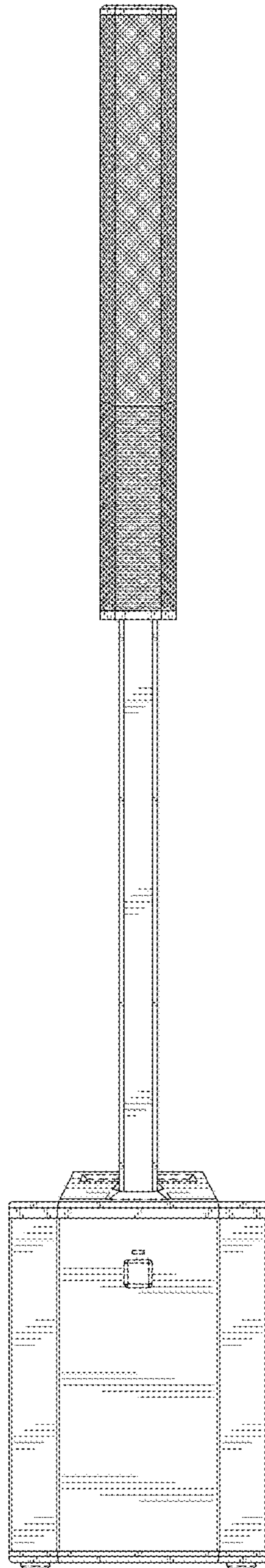


Fig. 4

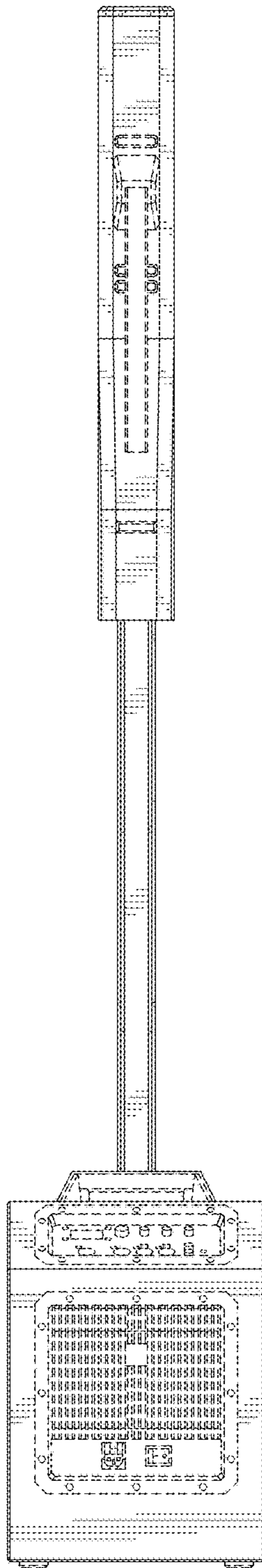


Fig. 5

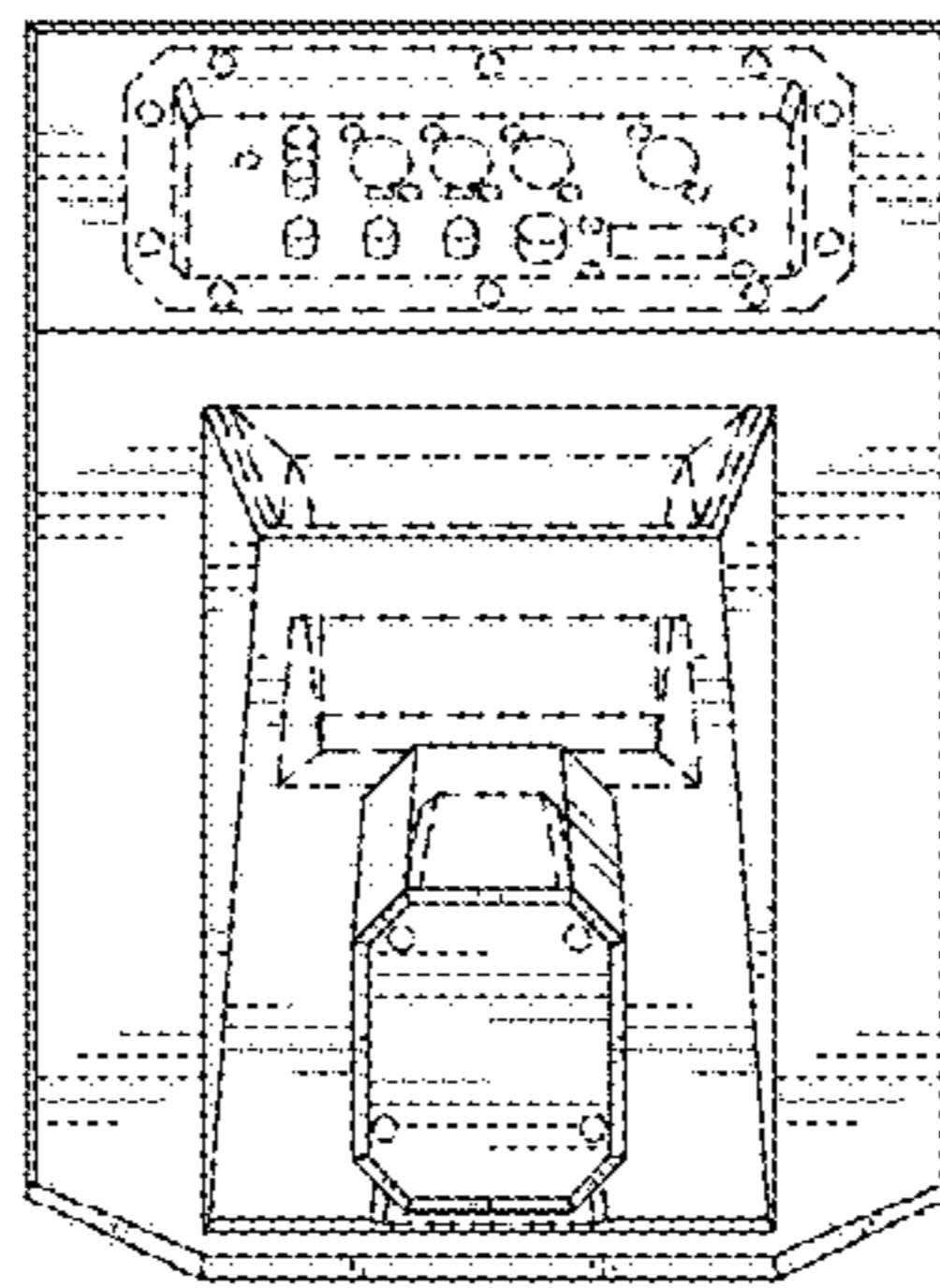


Fig. 6

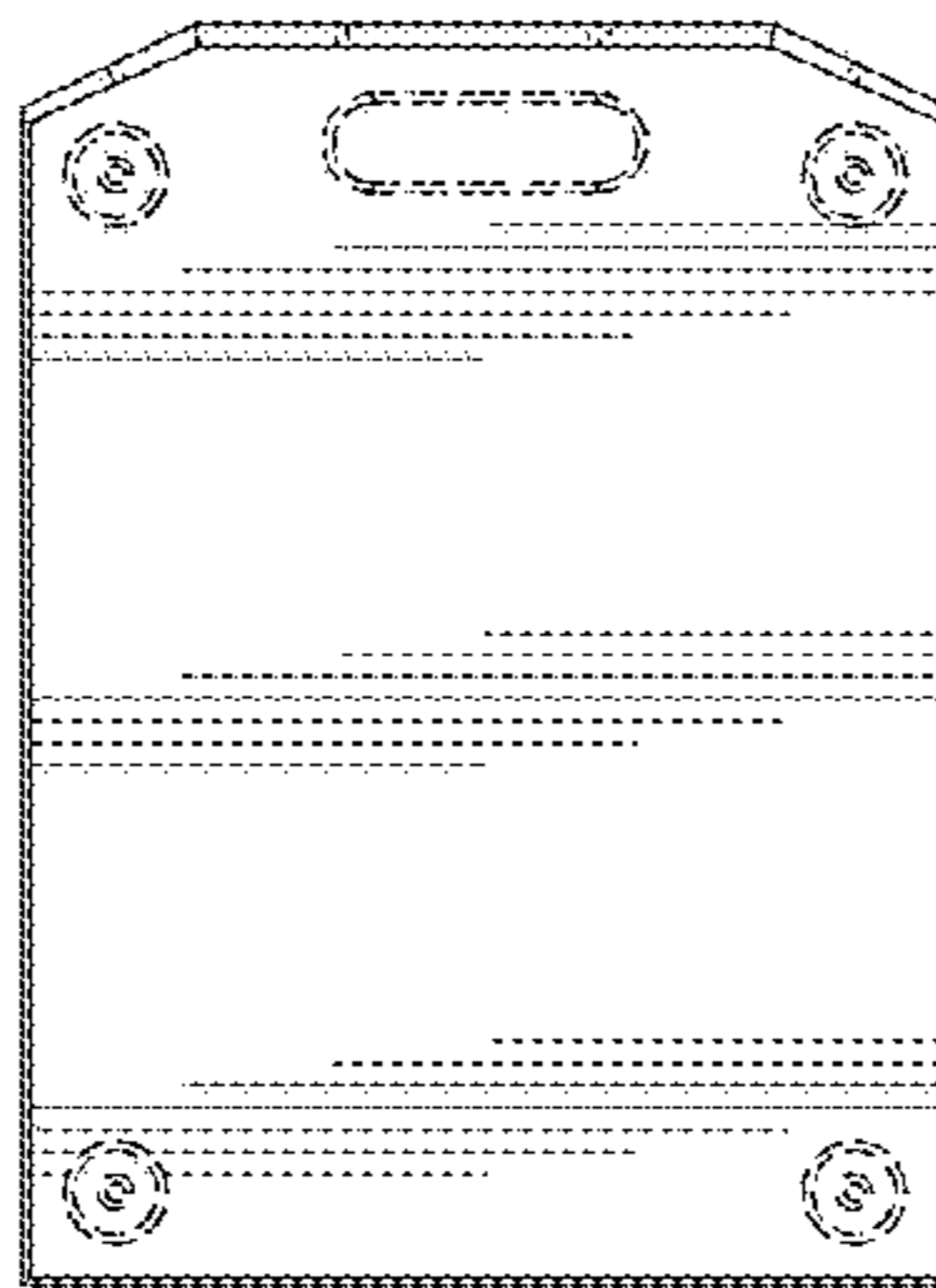


Fig. 7