



US00D841612S

(12) **United States Design Patent**
Kwon

(10) **Patent No.:** **US D841,612 S**

(45) **Date of Patent:** **** Feb. 26, 2019**

(54) **FLEXIBLE ELECTRONIC DEVICE**

(71) Applicant: **LENOVO (BEIJING) CO., LTD.,**
Beijing (CN)

(72) Inventor: **Jincherl Kwon, Beijing (CN)**

(73) Assignee: **LENOVO (BEIJING) CO., LTD.,**
Beijing (CN)

(**) Term: **15 Years**

(21) Appl. No.: **29/579,577**

(22) Filed: **Sep. 30, 2016**

(30) **Foreign Application Priority Data**

Mar. 31, 2016 (CN) 2016 3 0103791

(51) **LOC (11) Cl.** **14-03**

(52) **U.S. Cl.**
USPC **D14/138 AB; D14/344**

(58) **Field of Classification Search**
USPC D14/138 AB, 345, 344, 138 R, 203.4
CPC .. G06F 1/1652; H04M 1/0216; H04M 1/0214
See application file for complete search history.

(56) **References Cited**

U.S. PATENT DOCUMENTS

| | | | | |
|----------------|---------|------------|-------|---------------------------|
| D167,828 S | 9/1952 | Florac | | D14/137 |
| D297,215 S | 8/1988 | Pavlovic | | D10/30 |
| D482,671 S | 11/2003 | DiDonato | | D10/31 |
| D591,706 S | 5/2009 | Constin | | D14/138 AD |
| D595,254 S * | 6/2009 | Roberts | | D14/138 AA |
| 7,609,512 B2 | 10/2009 | Richardson | | G06F 1/1626 361/679.02 |
| D622,244 S | 8/2010 | Miyazawa | | D14/138 G |
| D627,769 S * | 11/2010 | Kumagai | | D14/248 |
| D632,264 S * | 2/2011 | Choi | | D13/168 |
| 7,936,338 B2 * | 5/2011 | Iwase | | G06F 3/0418 313/504 |
| D678,876 S | 3/2013 | Andre | | D14/341 |

| | | | | |
|--------------|---------|---------|-------|-----------|
| D714,270 S * | 9/2014 | Lee | | D14/248 |
| D714,271 S * | 9/2014 | Lee | | D14/248 |
| D716,247 S * | 10/2014 | Yun | | D10/32 |
| D725,071 S | 3/2015 | Lee | | D14/138 R |
| D726,140 S * | 4/2015 | Park | | D14/138 R |
| D732,528 S * | 6/2015 | Kim | | D14/344 |
| D732,989 S | 6/2015 | Ogihara | | D10/70 |
| D733,130 S * | 6/2015 | Kim | | D14/344 |
| D733,131 S * | 6/2015 | Kim | | D14/344 |

(Continued)

OTHER PUBLICATIONS

Lenovo flexible Phone and Tablet Concept | Lenovo flexible Smartphone
Upcoming in 2017 , posted by Steal My Gadgets on YouTube,
published Jun 9, 2016, [online], [site visited Dec. 30, 2017].
Available from Internet, <URL: <https://www.youtube.com/watch?v=jllv7FZw73Q>>.*

(Continued)

Primary Examiner — Jeffrey D Asch
(74) *Attorney, Agent, or Firm* — Oppedahl Patent Law
Firm LLC

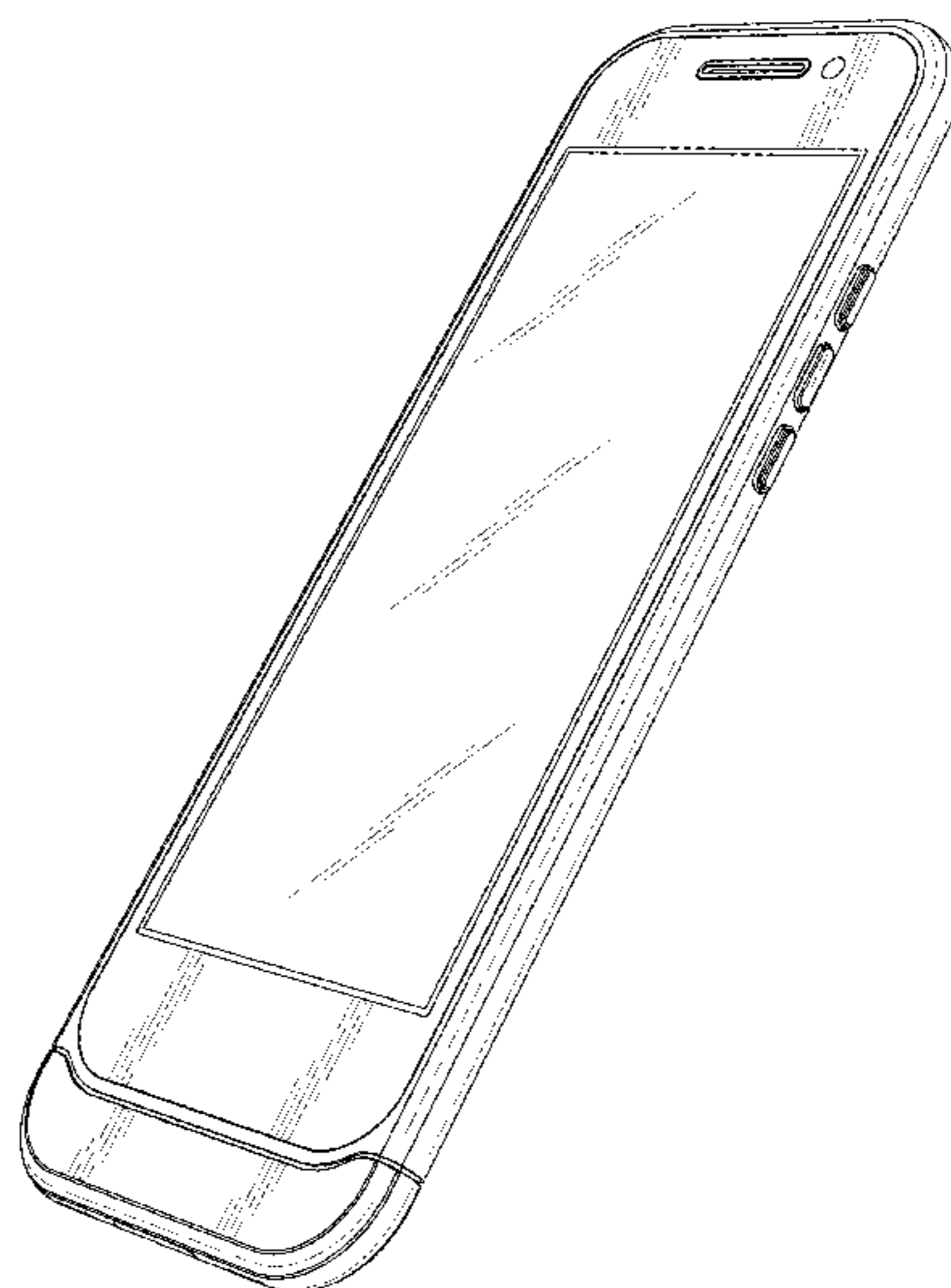
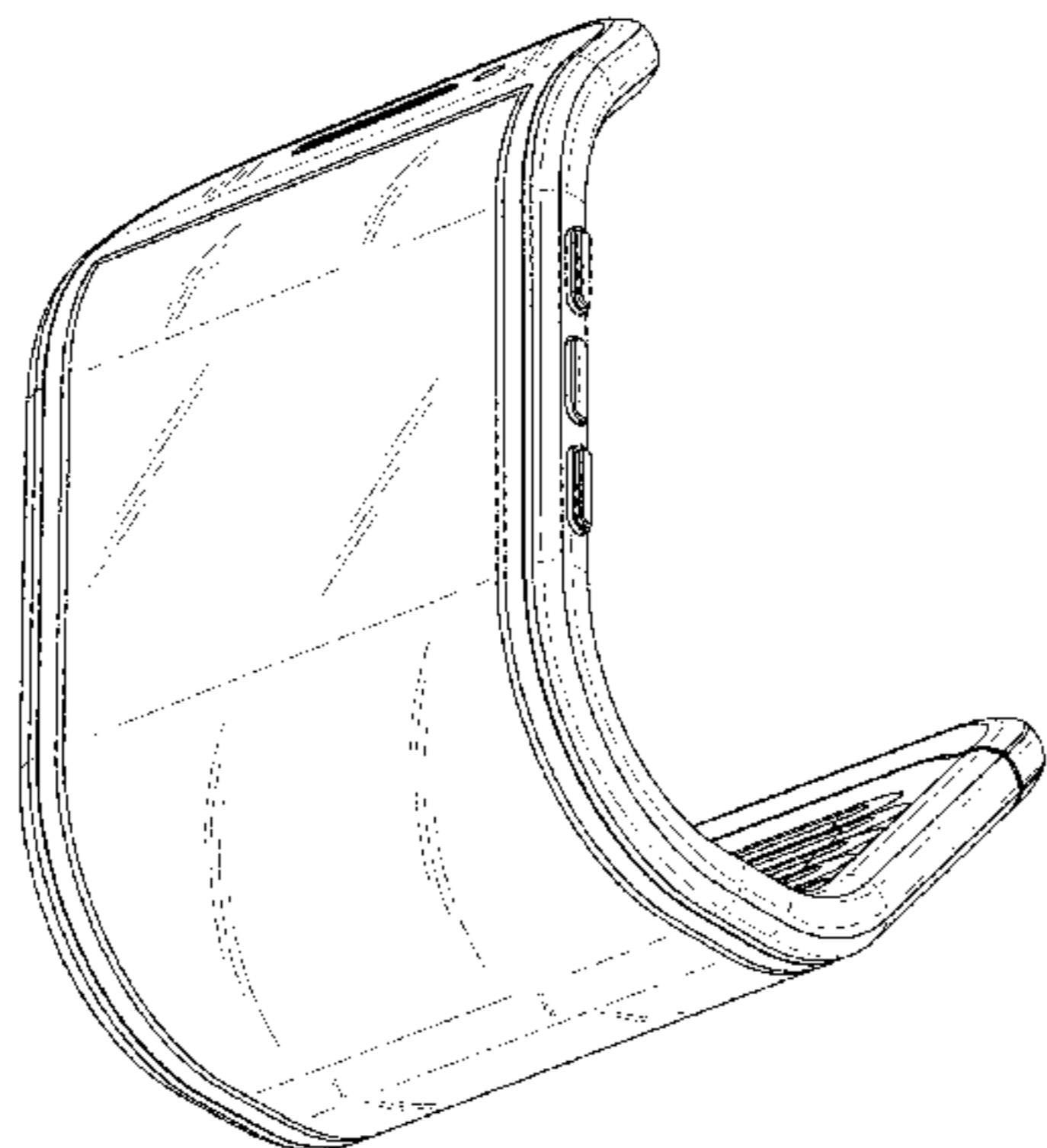
(57) **CLAIM**

The ornamental design for a flexible electronic device, as
shown and described.

DESCRIPTION

FIG. 1 is a front view of a flexible electronic device showing
the new design;
FIG. 2 is a back view thereof;
FIG. 3 is a left side view thereof;
FIG. 4 is a right side view thereof;
FIG. 5 is a top view thereof;
FIG. 6 is a bottom view thereof;
FIG. 7 is a perspective view thereof; and,
FIG. 8 is a perspective view thereof showing the design in
an unfolded state.

1 Claim, 8 Drawing Sheets



(56)

References Cited

U.S. PATENT DOCUMENTS

| | | | | |
|--------------|------|---------|-----------|--------------------------|
| D738,877 | S * | 9/2015 | Kim | D14/344 |
| D748,625 | S * | 2/2016 | Takahashi | D14/345 |
| D752,041 | S * | 3/2016 | Kim | D14/344 |
| D759,009 | S * | 6/2016 | Kim | D14/344 |
| 9,373,307 | B2 | 6/2016 | Kim | G09G 5/14 |
| D768,300 | S * | 10/2016 | Felix | D14/344 |
| D772,867 | S * | 11/2016 | Park | D10/39 |
| D778,862 | S * | 2/2017 | Hibi | D14/138 G |
| D784,314 | S * | 4/2017 | Ryu | D14/248 |
| 9,615,473 | B2 | 4/2017 | Kim | G06F 1/1652 |
| D788,726 | S * | 6/2017 | Lee | D14/138 AB |
| D788,734 | S * | 6/2017 | Park | D14/138 AB |
| D788,735 | S * | 6/2017 | Daniel | D14/138 G |
| 9,703,322 | B2 | 7/2017 | Lin | G06F 1/163 |
| D794,803 | S | 8/2017 | Thom | D24/169 |
| D804,443 | S * | 12/2017 | Kang | D14/138 AB |
| 9,848,494 | B2 | 12/2017 | Huitema | G06F 1/163 |
| D807,350 | S | 1/2018 | Inagaki | D14/344 |
| 9,891,725 | B2 * | 2/2018 | Lindblad | G06F 3/0362 |
| D814,435 | S * | 4/2018 | Kwon | D14/138 AB |
| 9,939,009 | B2 * | 4/2018 | Nakamura | F16C 11/04 |
| 9,959,030 | B2 * | 5/2018 | Sang | G06F 1/3206 |
| 10,063,677 | B2 * | 8/2018 | Cavallaro | H04M 1/0268 |
| D828,321 | S * | 9/2018 | Yeom | D14/138 AB |
| 2011/0188189 | A1 * | 8/2011 | Park | G05B 11/01 361/679.05 |
| 2013/0222349 | A1 * | 8/2013 | Baek | G06F 15/0241 345/204 |
| 2013/0300732 | A1 * | 11/2013 | Hosoya | G06F 1/1652 345/419 |
| 2014/0004906 | A1 * | 1/2014 | Chi | H04B 1/38 455/566 |
| 2014/0099479 | A1 * | 4/2014 | Krall | B32B 3/14 428/174 |
| 2014/0111549 | A1 * | 4/2014 | Vanska | G06F 1/1626 345/656 |
| 2014/0198036 | A1 * | 7/2014 | Kim | G06F 1/1652 345/156 |
| 2014/0306985 | A1 * | 10/2014 | Jeong | G09G 3/3233 345/601 |
| 2015/0242083 | A1 * | 8/2015 | Rainisto | G06F 3/0485 715/784 |
| 2015/0261254 | A1 * | 9/2015 | Hiroki | G06F 1/163 361/679.03 |
| 2015/0277498 | A1 * | 10/2015 | Wu | G06F 1/1652 345/173 |
| 2015/0357387 | A1 * | 12/2015 | Lee | H01L 51/0097 257/40 |
| 2016/0048170 | A1 * | 2/2016 | Kim | G06F 3/0414 345/173 |
| 2016/0259514 | A1 * | 9/2016 | Sang | G06F 3/04817 |
| 2016/0324023 | A1 * | 11/2016 | Kim | H04M 1/0268 |
| 2016/0357158 | A1 * | 12/2016 | Kim | G06F 1/163 |
| 2016/0370828 | A1 * | 12/2016 | Hsu | G06F 1/1681 |

| | | | | |
|--------------|------|--------|----------|--------------|
| 2017/0023979 | A1 * | 1/2017 | Yamazaki | G06F 1/1652 |
| 2017/0142848 | A1 * | 5/2017 | Yeo | H05K 1/028 |
| 2017/0160819 | A1 * | 6/2017 | Yi | G06F 3/0416 |
| 2017/0199549 | A1 * | 7/2017 | Yeom | G06F 1/1652 |
| 2018/0067638 | A1 * | 3/2018 | Klein | G06F 3/04883 |

OTHER PUBLICATIONS

The Wove Band: Don't Call it a Smartwatch, posted by WIRED on YouTube, published Oct. 3, 2015, [online], [site visited Dec. 30, 2017]. Available from Internet, <URL: <https://www.youtube.com/watch?v=kPoNm0j2jIQ>>.*

Nokia 888 Concept Phone Review, posted by MrClickHere on YouTube, published Mar. 22, 2012, [online], [site visited Dec. 30, 2017]. Available from Internet, <URL: <https://www.youtube.com/watch?v=mBIFRMOvHBI>>.*

A Flex Phone Would be the Best Design, by Troy Turner on Yanko Design, posted Jul. 11, 2013, [online], [site visited Dec. 30, 2017]. Available from Internet, <URL: <http://www.yankodesign.com/2013/07/11/a-flex-phone-would-be-the-best-phone/>>.*

MWC 2014: Kyocera Showcases Flexible Phone That Turns Into Bracelet, by Kelvin on Concept Phones, posted Feb. 27, 2014, [online], [site visited Dec. 30, 2017]. Available from Internet, <URL: <https://www.concept-phones.com/kyocera/mwc-2014-kyocera-showcases-flexible-phone-turns-bracelet/>>.*

Now, the Google Nexus 360 concept is a phone you wouldn't mind owning, by Nandagopal Rajan, posted Aug. 21, 2014, [online], [site visited Dec. 30, 2017]. Available from Internet, <URL: <http://indianexpress.com/article/technology/mobile-tabs/now-this-is-a-concept-phone-we-wouldnt-mind-owning/>>.*

Philips Fluid Flexible Smartphone Concept, Created by Brazilian Designer Dinard da Mata, by Thyrstan on Concept Phones, posted Aug. 20, 2010, [online], [site visited Dec. 30, 2017]. Available from Internet, <URL: <https://www.concept-phones.com/fashion-phones/philips-fluid-flexible-smartphone-concept-created-brazilian-designer-dinard-da-mata/>>.*

The Limbo Transformable Smartphone Switches from Handset to Timepiece, posted Apr. 5, 2013, [retrieved Mar. 2, 2018]. Retrieved from Internet, <URL: <https://www.trendhunter.com/trends/limbo-transformable-smartphone/>>.*

Philips Fluid Smartphone, posted Feb. 27, 2014, [retrieved Mar. 2, 2018]. Retrieved from Internet, <URL: <http://www.newwhitegadgets.com/philips-fluid-smartphone/>>.*

Everything You Need to Know About the Galaxy Gear Smartwatch Specs & Release Date [Report], posted Aug. 20, 2013, [retrieved Mar. 2, 2018]. Retrieved from Internet, <URL: <https://www.americaninno.com/boston/galaxy-gear-smartwatch-specs-everything-you-need-to-know-about-the-galaxy-gear-smartwatch-specs-release-date/>>.*

Lenovo Displayed Futuristic Flexible Smartphone and Foldable Tablet, posted Jun. 11, 2016, [retrieved Mar. 2, 2018]. Retrieved from Internet, <URL: <http://www.sagmart.com/news/Technology/lenovo-displayed-flexible-smartphone-and-foldable-tablet/>>.*

* cited by examiner

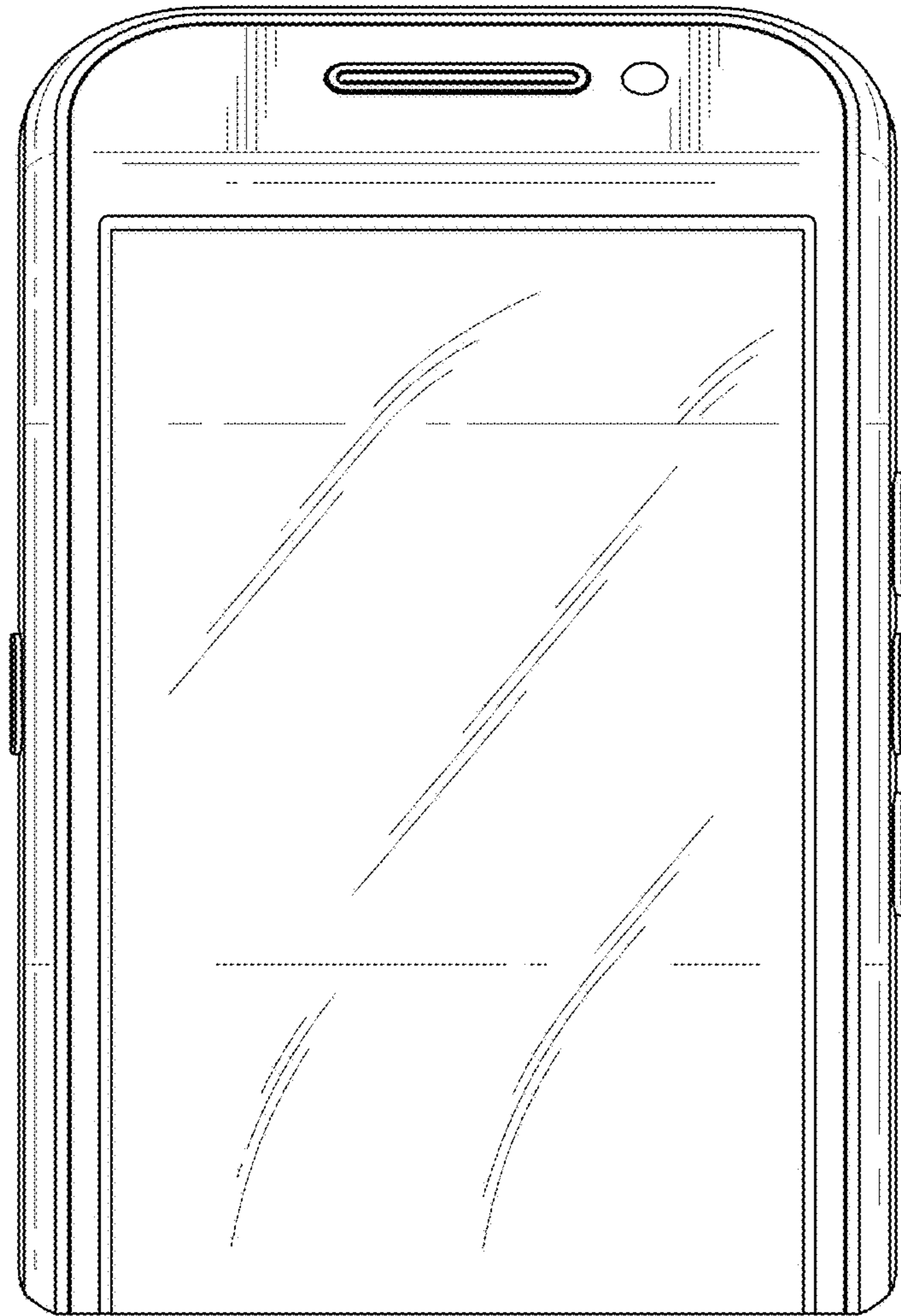


Fig. 1

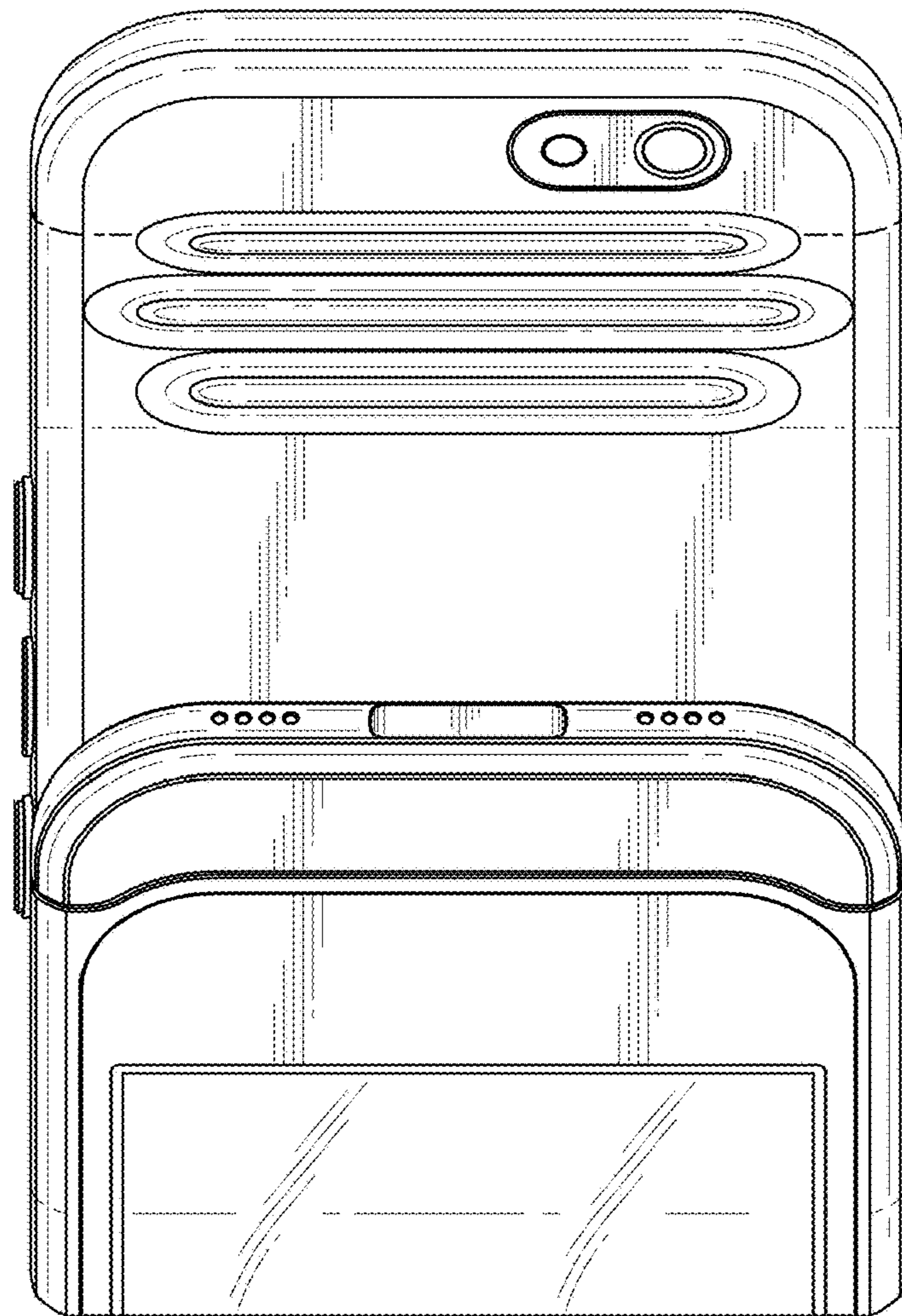


Fig. 2

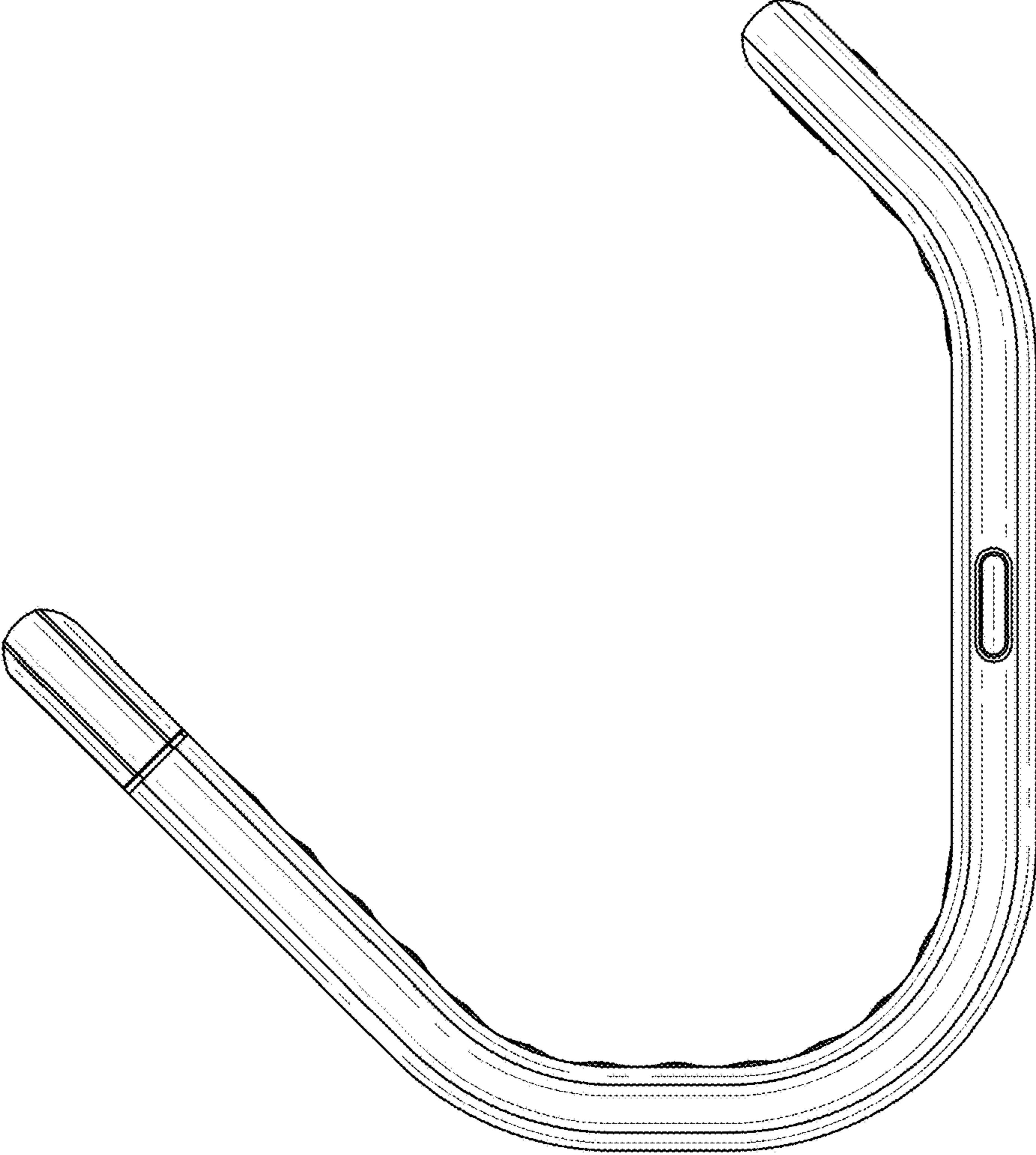


Fig. 3

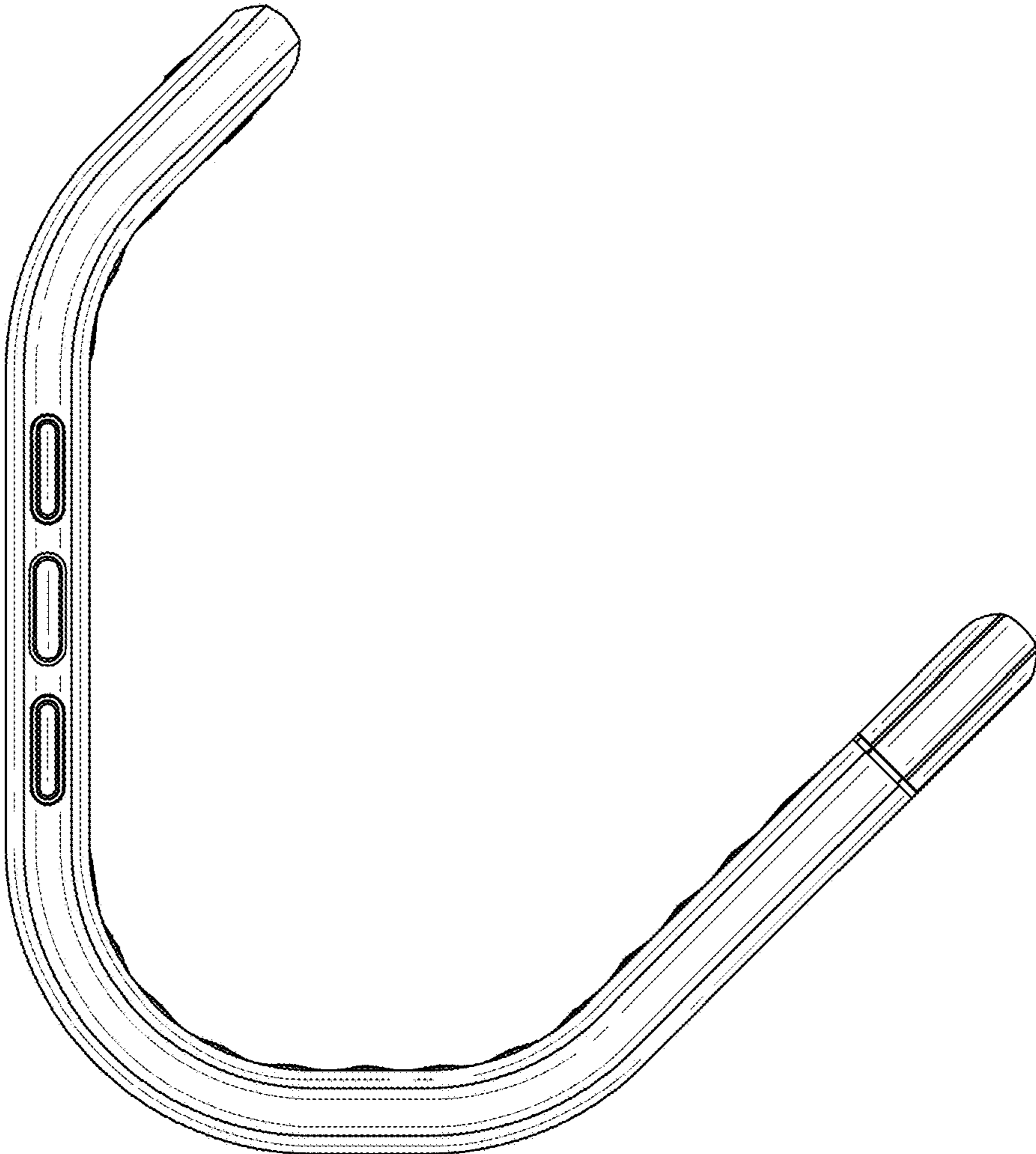


Fig. 4

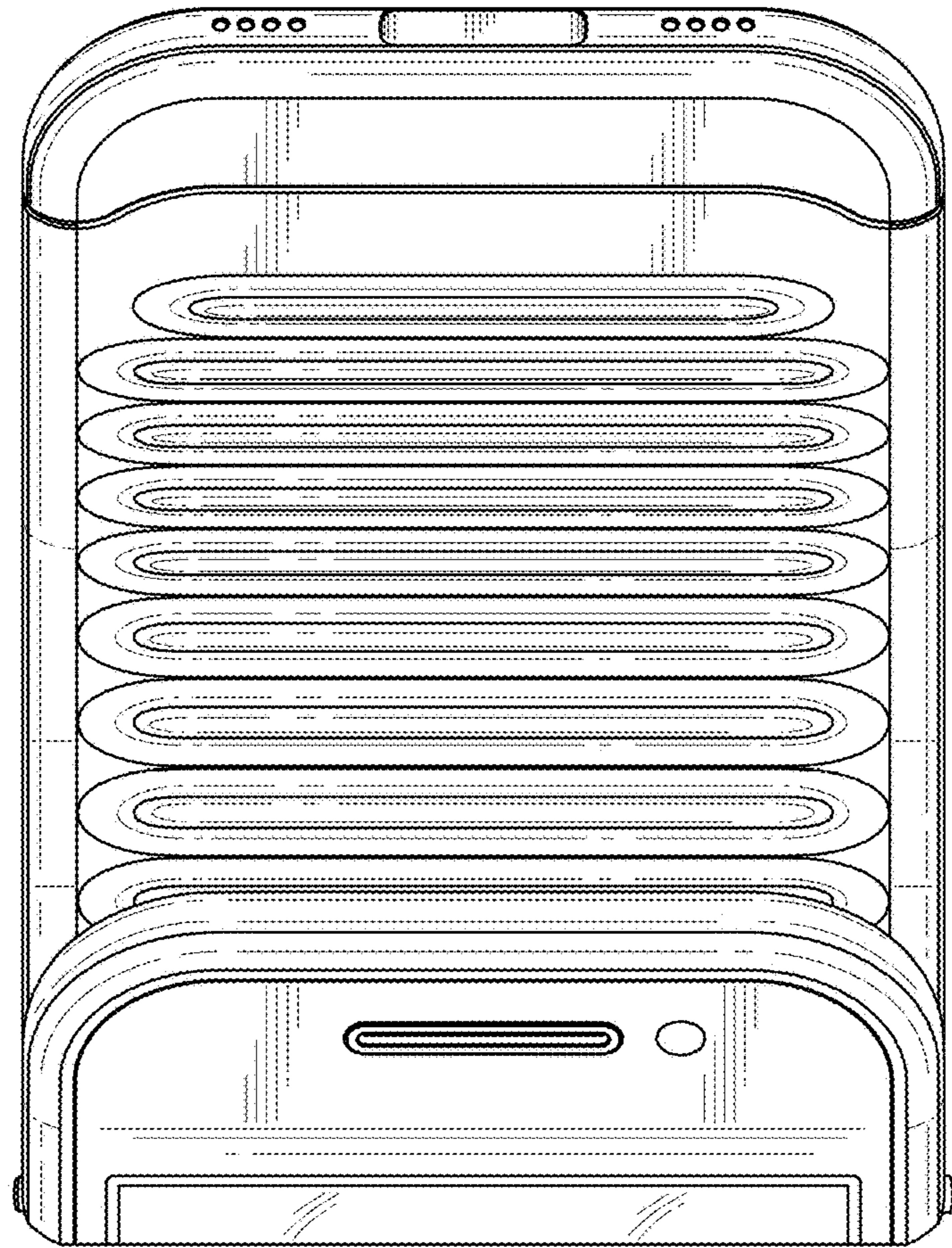


Fig. 5

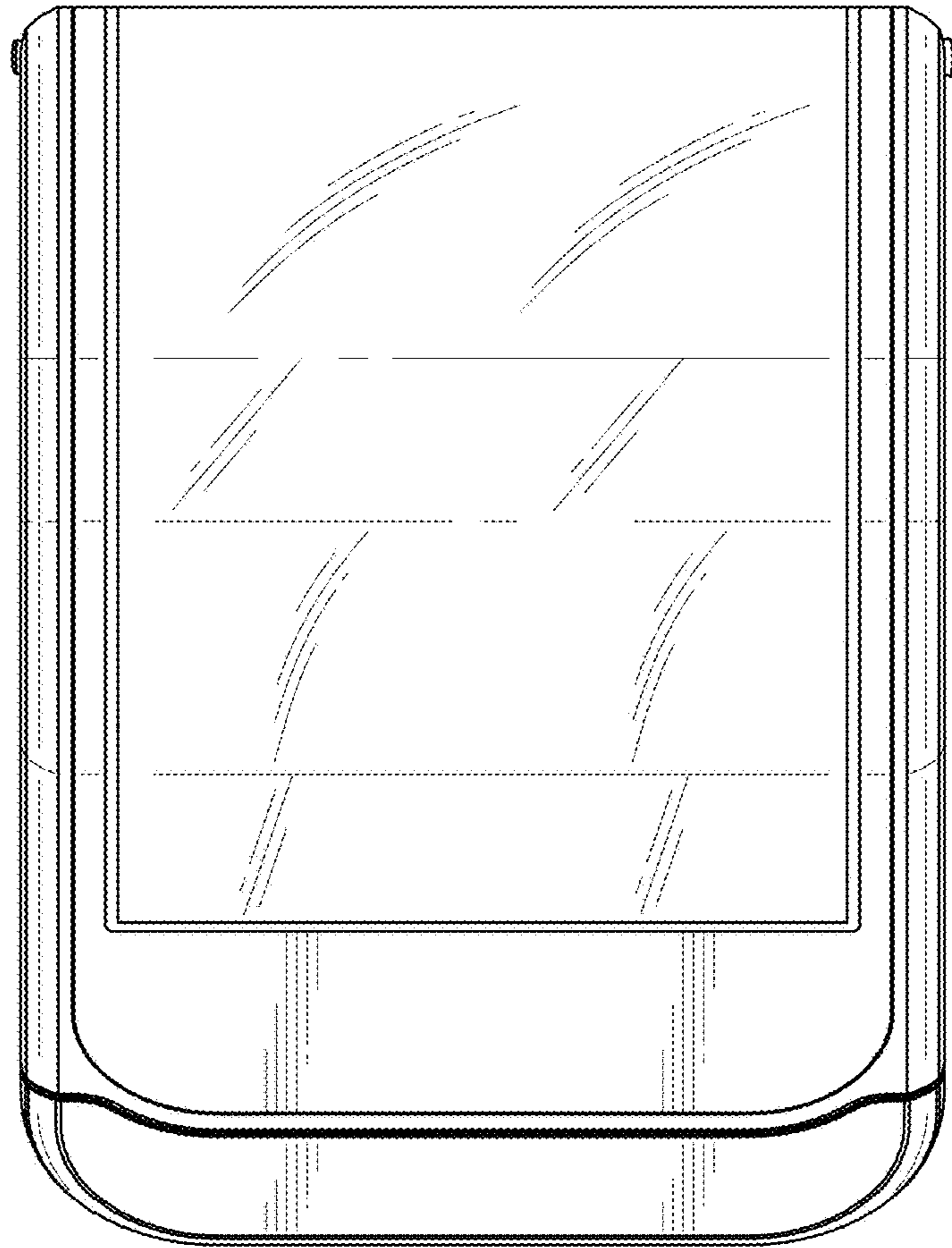


Fig. 6

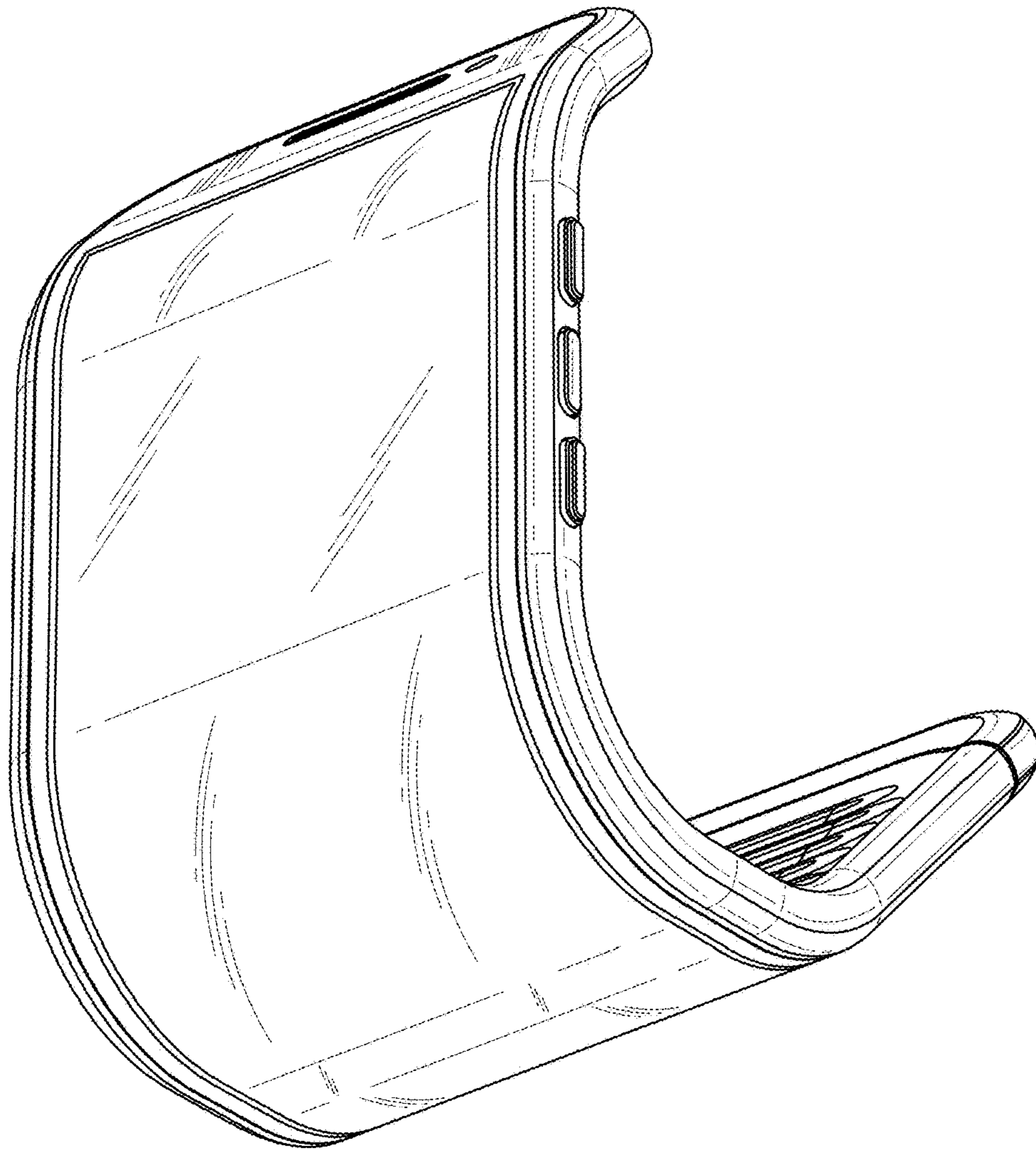


Fig. 7

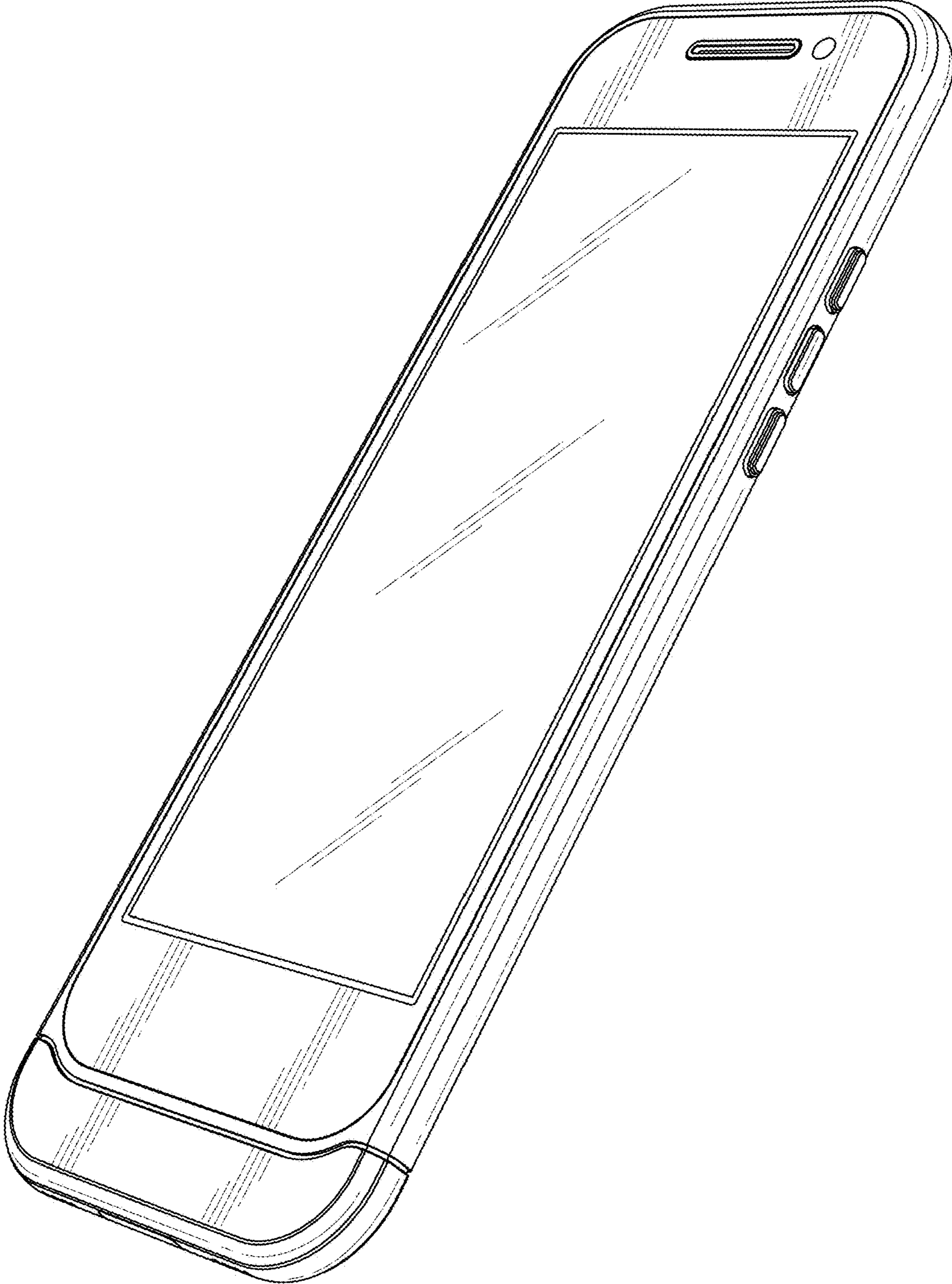


Fig. 8