



US00D841610S

(12) **United States Design Patent**
Novin et al.

(10) **Patent No.:** **US D841,610 S**

(45) **Date of Patent:** **** Feb. 26, 2019**

(54) **WIRELESS TRANSCEIVER FOR CONTROLLING PROFESSIONAL VISUAL EFFECTS DEVICES**

(71) Applicant: **Innovative Dimmers, LLC**, Van Nuys, CA (US)

(72) Inventors: **Wade Novin**, Sherman Oaks, CA (US); **Eli Novin**, San Jose, CA (US); **Craig Brink**, Van Nuys, CA (US); **Adam Knapp**, Van Nuys, CA (US)

(73) Assignee: **Innovative Dimmers, LLC**, Van Nuys, CA (US)

(**) Term: **15 Years**

(21) Appl. No.: **29/601,486**

(22) Filed: **Apr. 22, 2017**

(51) **LOC (11) Cl.** **14-03**

(52) **U.S. Cl.**
USPC **D14/137; D14/240**

(58) **Field of Classification Search**
USPC D13/162, 168; D14/137, 218, 240, 250, D14/255, 256, 356, 357, 358, 433, 438; D10/104.1
CPC H01Q 1/242; H04B 1/086; H04B 1/38; H04B 1/3833; H04B 1/3827; H04M 1/0202; H04M 1/03; H04M 1/035; H04W 76/005

See application file for complete search history.

(56) **References Cited**

U.S. PATENT DOCUMENTS

D167,828 S * 9/1952 Florac D14/137
D176,480 S * 12/1955 Petertil D14/194
D205,073 S * 6/1966 Shimazaki D14/137
D210,773 S * 4/1968 Komata et al. 455/90.2
D236,990 S * 9/1975 Lewis D14/137

4,220,955 A * 9/1980 Frye H01P 1/045
343/703
4,257,121 A * 3/1981 Henderson H04B 1/3833
200/293
D272,737 S * 2/1984 Coons D14/137
4,528,566 A * 7/1985 Tyler G01S 3/40
342/419
D282,661 S * 2/1986 Imazeki D14/137
4,958,382 A * 9/1990 Imanishi H01Q 1/22
343/702
D311,536 S * 10/1990 Reeves D14/137
5,024,414 A * 6/1991 Drain F16M 11/22
248/688
D348,664 S * 7/1994 Imazeki D14/137
5,446,789 A * 8/1995 Loy H01Q 1/242
379/433.03

(Continued)

Primary Examiner — Selina Sikder

(74) *Attorney, Agent, or Firm* — Fredrikson & Byron, P.A.

(57) **CLAIM**

We claim the ornamental design for a wireless transceiver for controlling professional visual effects devices.

DESCRIPTION

FIG. 1 is a side perspective view of the wireless transceiver for controlling professional visual effects devices.

FIG. 2 is a top view of the wireless transceiver for controlling professional visual effects devices.

FIG. 3 is a bottom view of the wireless transceiver for controlling professional visual effects devices.

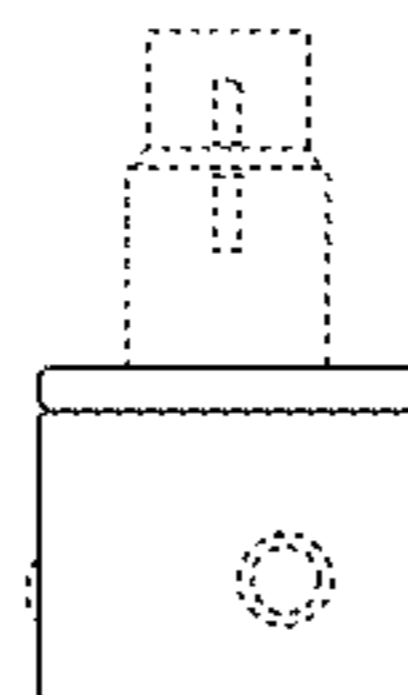
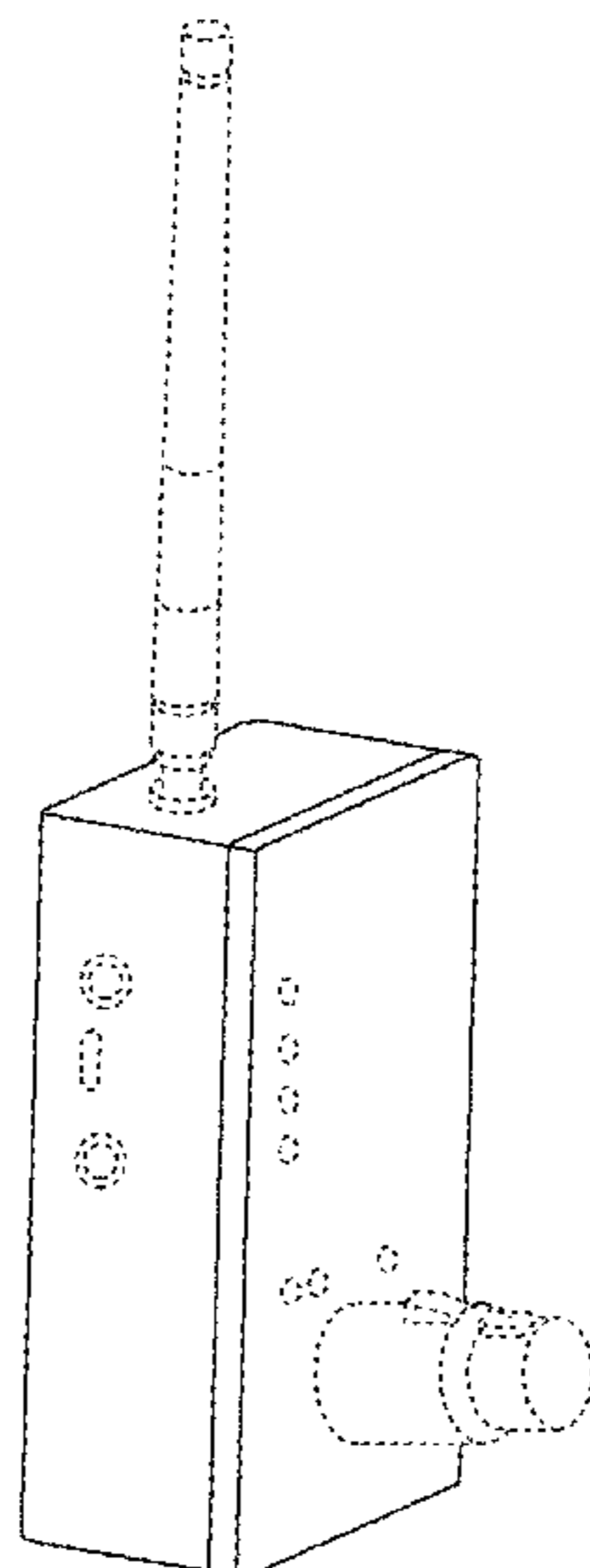
FIG. 4 is a right side view of the wireless transceiver for controlling professional visual effects devices.

FIG. 5 is a left side view of the wireless transceiver for controlling professional visual effects devices.

FIG. 6 is a front view of the wireless transceiver for controlling professional visual effects devices; and,

FIG. 7 is a back view of the wireless transceiver for controlling professional visual effects devices.

1 Claim, 4 Drawing Sheets



(56)

References Cited

U.S. PATENT DOCUMENTS

5,606,733 A * 2/1997 Kanayama H01Q 1/242
 455/273
 5,652,578 A * 7/1997 Snow G01S 1/68
 340/539.1
 D387,765 S * 12/1997 Brassard D14/137
 D388,005 S * 12/1997 Henderson D10/104.1
 5,710,987 A * 1/1998 Paulick H01Q 1/242
 343/702
 5,999,821 A * 12/1999 Kaschke H04M 1/0202
 379/429
 6,211,830 B1 * 4/2001 Monma H01Q 1/242
 343/702
 D478,577 S * 8/2003 Kolls D14/240
 9,080,782 B1 * 7/2015 Sheikh F24F 11/00
 2001/0012768 A1 * 8/2001 Odachi H01Q 1/242
 455/80
 2002/0036592 A1 * 3/2002 Sekine H01Q 1/242
 343/702
 2002/0193137 A1 * 12/2002 Bank H04M 1/0214
 455/550.1
 2008/0165999 A1 * 7/2008 Dinh H04M 1/035
 381/361
 2008/0176609 A1 * 7/2008 Kim H04M 1/035
 455/575.1
 2009/0001232 A1 * 1/2009 Seo G06F 1/1616
 248/176.1
 2012/0148992 A1 * 6/2012 Quail G09B 9/003
 434/247
 2014/0132115 A1 * 5/2014 Fujii B06B 1/0603
 310/330
 2017/0027041 A1 * 1/2017 Sekiyama H05B 37/0227
 2017/0055135 A1 * 2/2017 Jimenez H04W 4/10

* cited by examiner

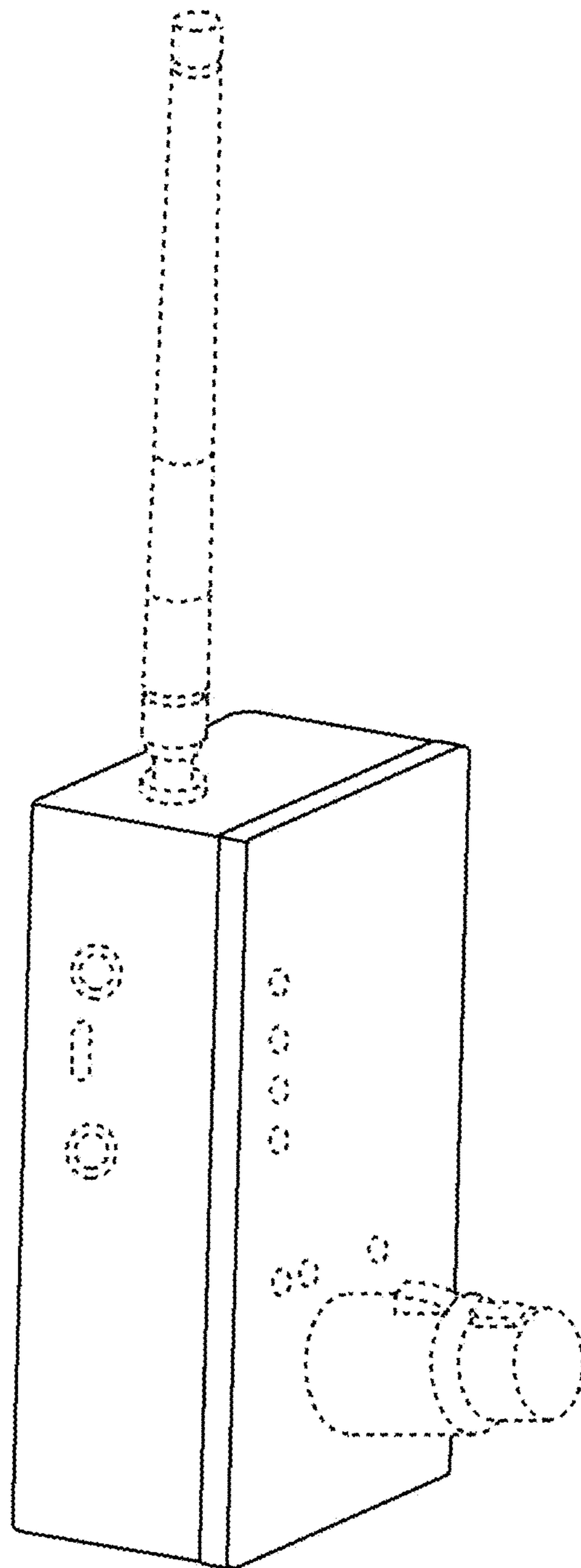


FIGURE 1

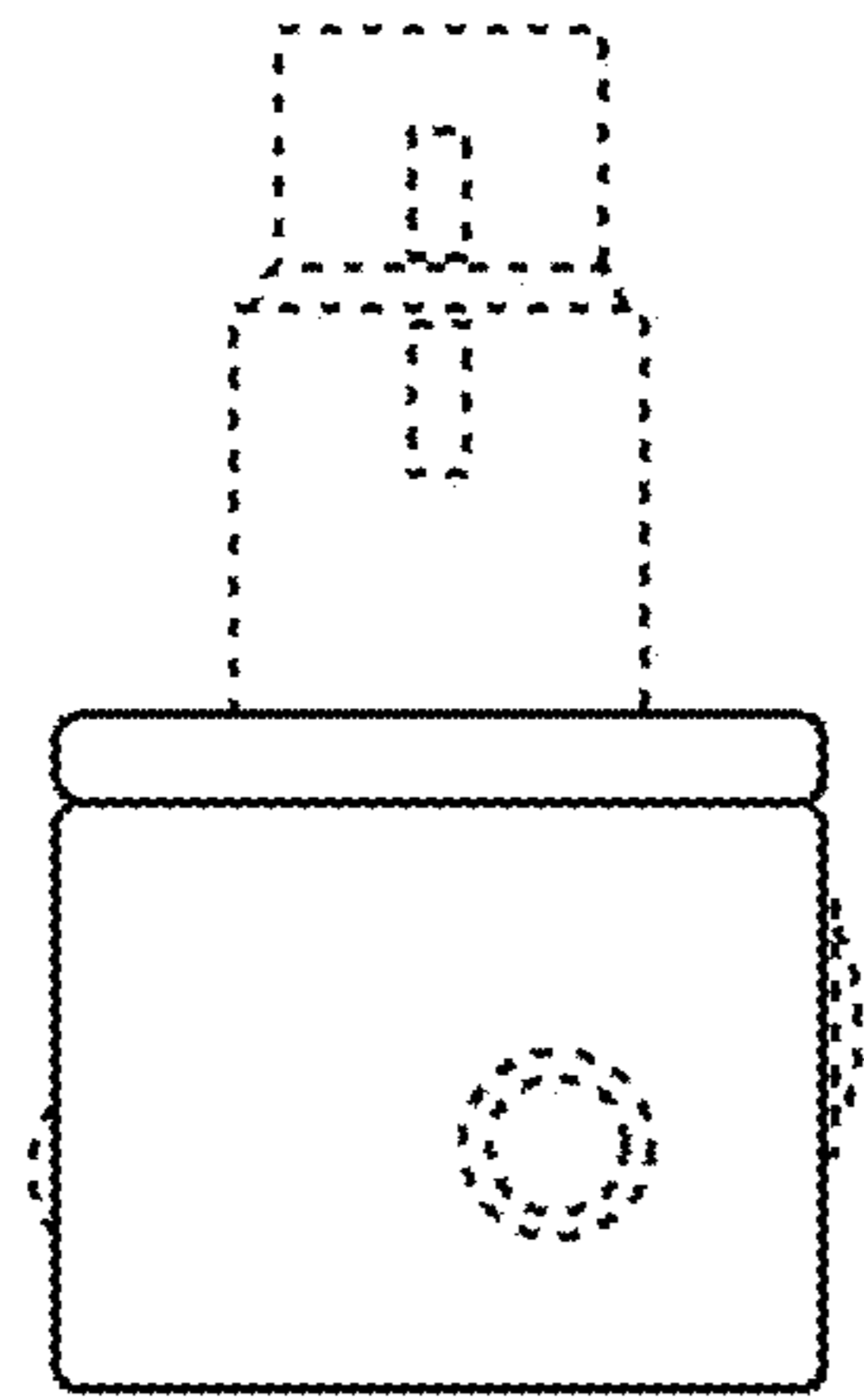


FIGURE 2

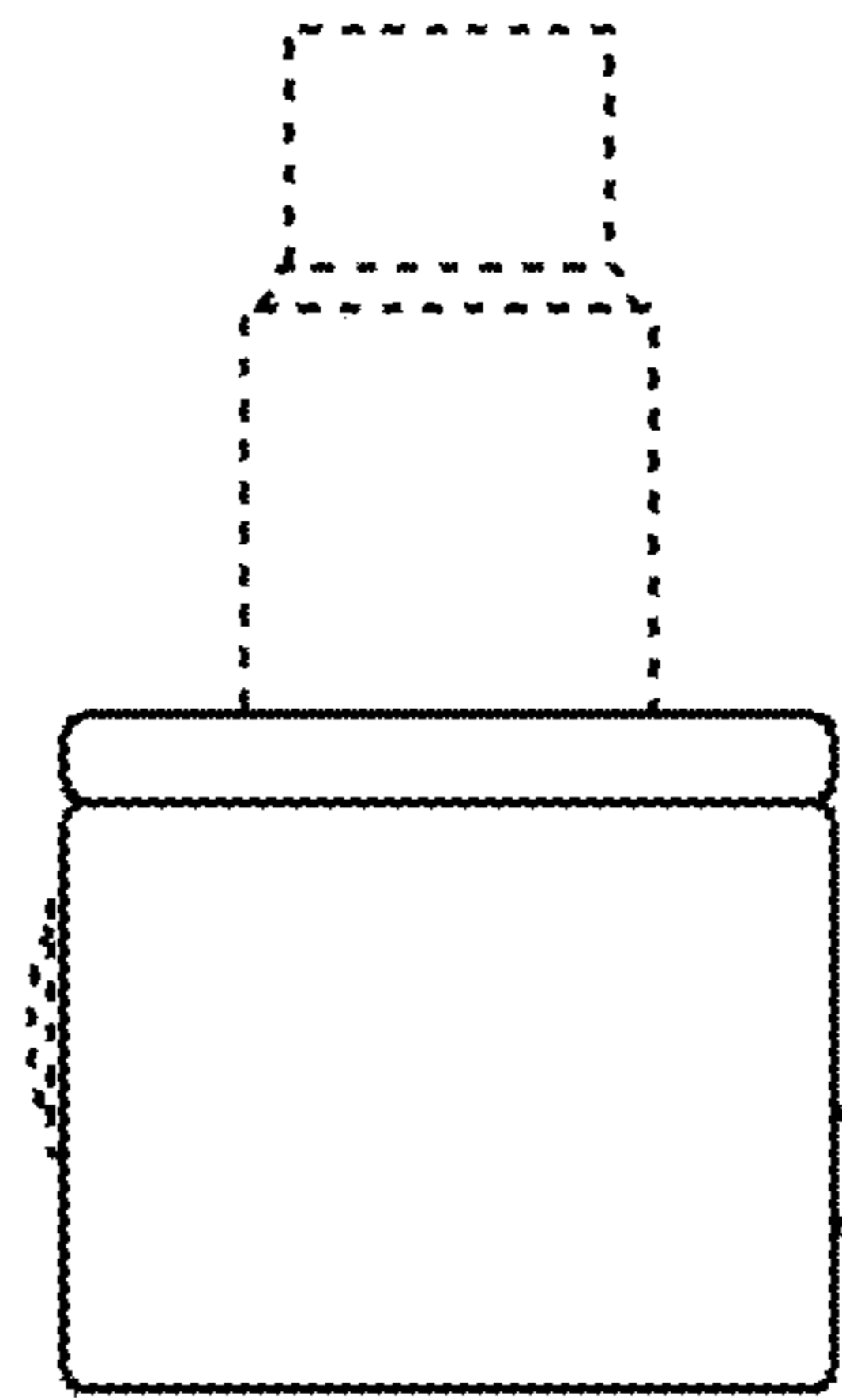


FIGURE 3

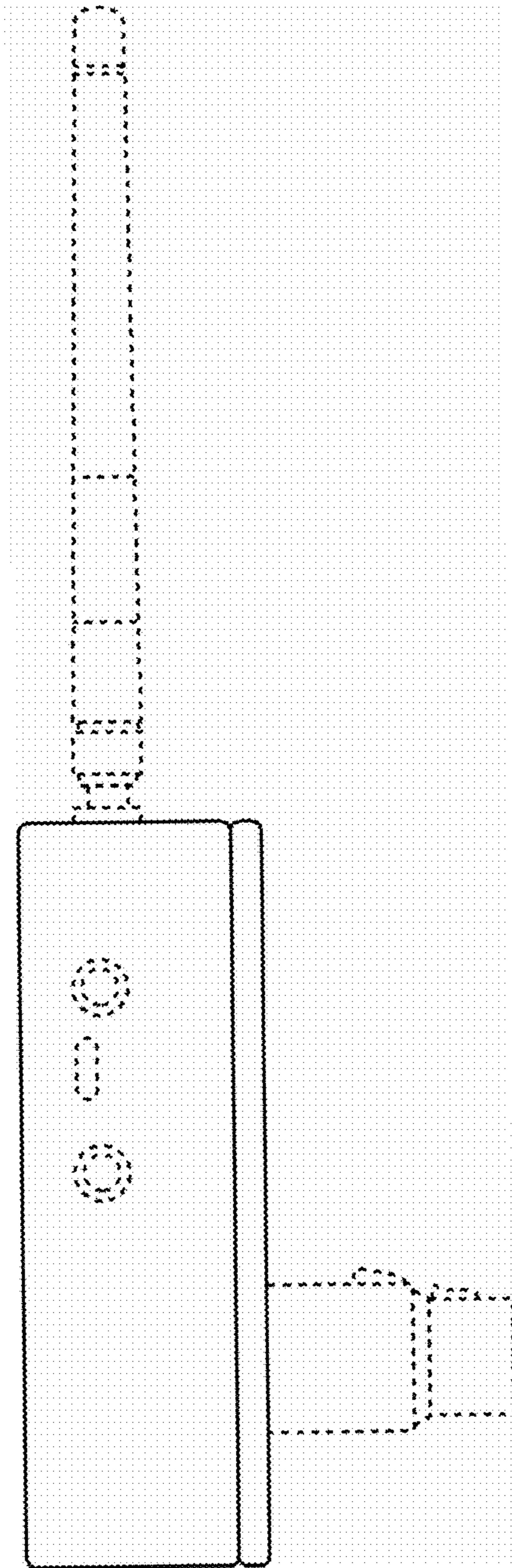


FIGURE 4

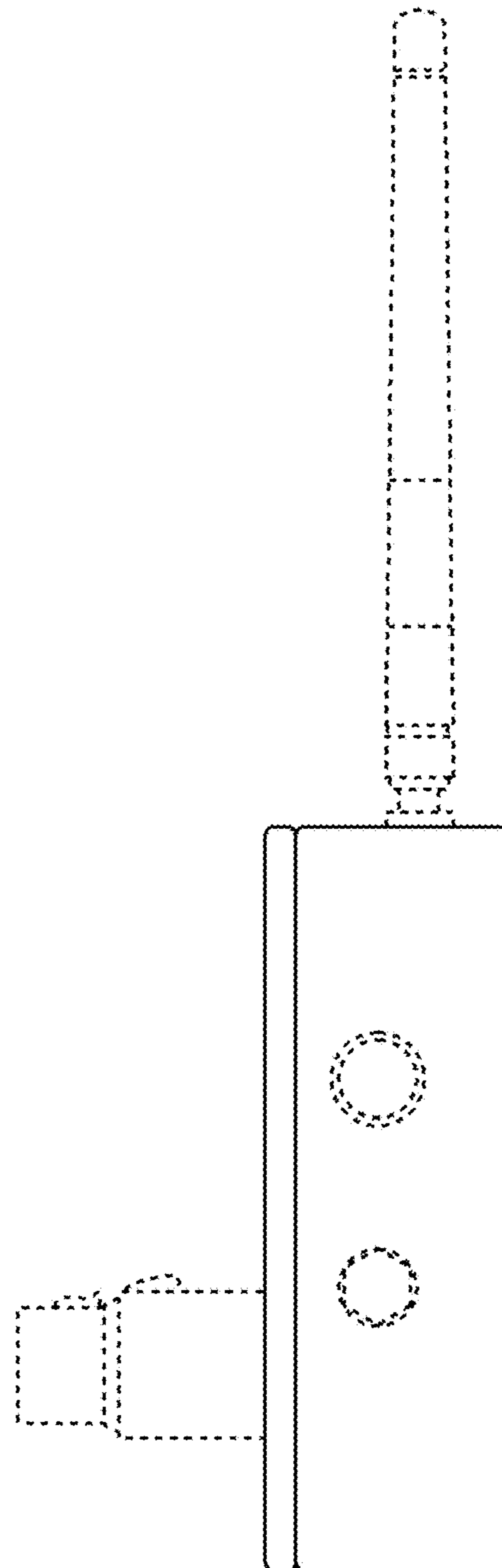


FIGURE 5

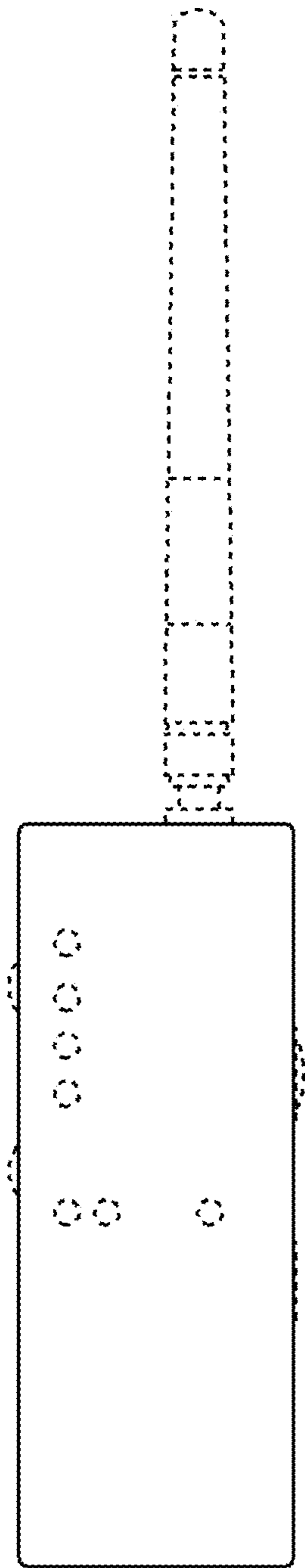


FIGURE 6

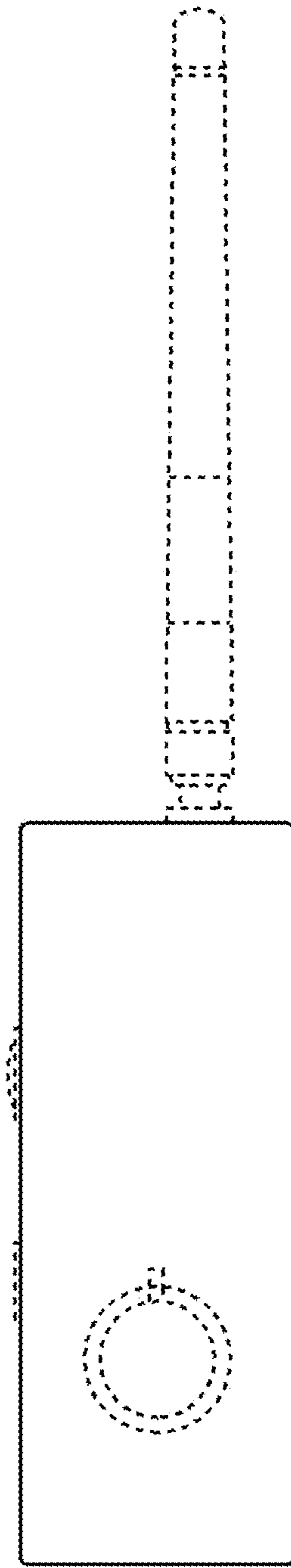


FIGURE 7