



US00D841609S

(12) **United States Design Patent** (10) **Patent No.:** **US D841,609 S**
Kim et al. (45) **Date of Patent:** **** Feb. 26, 2019**

(54) **TELEVISION APPARATUS**
(71) Applicant: **LG ELECTRONICS INC.,** Seoul (KR)
(72) Inventors: **Taeho Kim,** Seoul (KR); **Jongchul Kim,** Seoul (KR); **Bumsang Lee,** Seoul (KR); **Byungmu Huh,** Seoul (KR)
(73) Assignee: **LG ELECTRONICS INC.,** Seoul (KR)

D750,582 S * 3/2016 Kim D14/126
D755,138 S * 5/2016 Kim D14/126
D778,854 S * 2/2017 Lee D14/126
D778,855 S * 2/2017 Lee D14/126
D782,431 S * 3/2017 Lee D14/126
D782,433 S * 3/2017 Lee D14/126
D782,991 S * 4/2017 Kim D14/126
D786,813 S * 5/2017 McManigal D14/126
D796,464 S * 9/2017 Kim D14/126

(Continued)

(**) Term: **15 Years**
(21) Appl. No.: **35/503,736**
(22) Filed: **Mar. 29, 2017**

(80) **Hague Agreement Data**
Int. Filing Date: **Mar. 29, 2017**
Int. Reg. No.: **DM/095492**
Int. Reg. Date: **Mar. 29, 2017**
Int. Reg. Pub. Date: **Sep. 29, 2017**

(30) **Foreign Application Priority Data**
Sep. 30, 2016 (KR) 30-2016-0047384
(51) **LOC (11) Cl.** **14-03**
(52) **U.S. Cl.**
USPC **D14/126**
(58) **Field of Classification Search**
USPC D14/125-134, 239, 314-316, 322, 326,
D14/334-336, 339-341, 371, 373-374,
D14/448, 450; D21/329, 332, 515
CPC G06F 1/16; G06F 1/1601; G06F 1/1637;
H04N 5/64; H05K 5/0204; H05K 5/0017;
H05K 5/0217
See application file for complete search history.

(56) **References Cited**
U.S. PATENT DOCUMENTS
D741,273 S * 10/2015 Huh D14/126
D749,532 S * 2/2016 McManigal D14/126

OTHER PUBLICATIONS

Ross, Nick, The Top 6 TV in 2016, posted at PC World, posting date Aug. 30, 2016. [site visited Jul. 8, 2018] [Available from internet] URL: <<https://web.archive.org/web/20160906140756/https://www.pcworld.idg.com.au/article/605926/top-6-tvs-2016/>> (Year: 2016).*

(Continued)

Primary Examiner — George D. Kirschbaum
Assistant Examiner — Kathleen L Jones
(74) *Attorney, Agent, or Firm* — Birch, Stewart, Kolasch & Birch, LLP

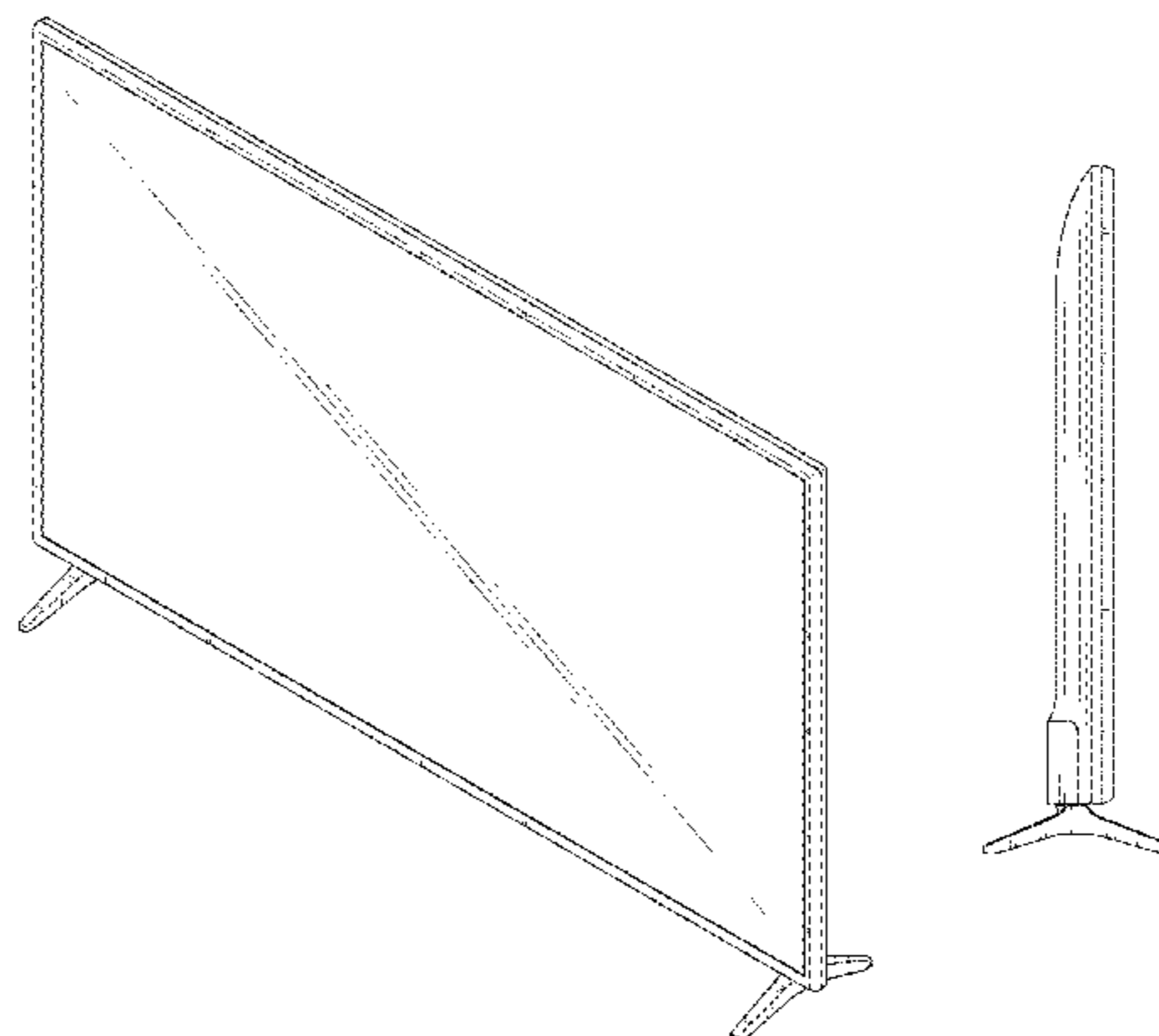
(57) **CLAIM**

The ornamental design for a television apparatus, as shown and described.

DESCRIPTION

1. Television apparatus
1.1 : Perspective
1.2 : Front
1.3 : Back
1.4 : Left
1.5 : Right
1.6 : Top
1.7 : Bottom
The broken lines shown in the figures depict portions of the television apparatus that form no part of the claimed design.

1 Claim, 4 Drawing Sheets



(56)

References Cited

U.S. PATENT DOCUMENTS

D806,661	S	*	1/2018	Lee	D14/126
D806,667	S	*	1/2018	Lee	D14/126
D818,979	S	*	5/2018	Won	D14/126
D820,228	S	*	6/2018	Kim	D14/126
D826,791	S	*	8/2018	Kim	D12/126
D826,885	S	*	8/2018	Kim	D14/126

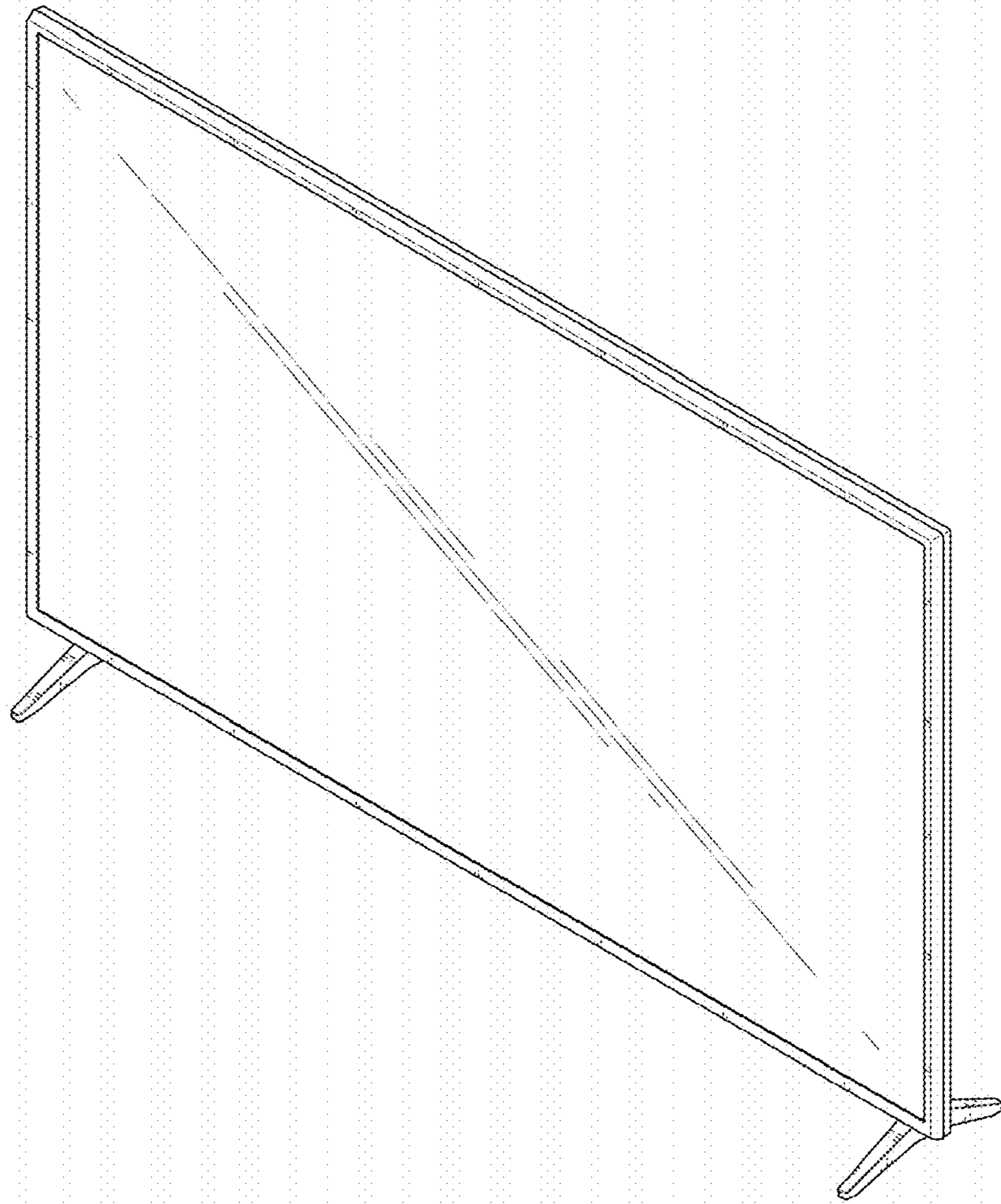
OTHER PUBLICATIONS

Customer Ratings & Reviews: LG 75UJ6470, posted at Best Buy, review date Jun. 2017, [site visited Jul. 8, 2018] [Available from internet] URL: <<https://www.bestbuy.com/site/reviews/lg-75-class-led-uj6470-series-2160p-smart-4k-uhd-tv-with-hdr/5878700?page=8>> (Year: 2017).*

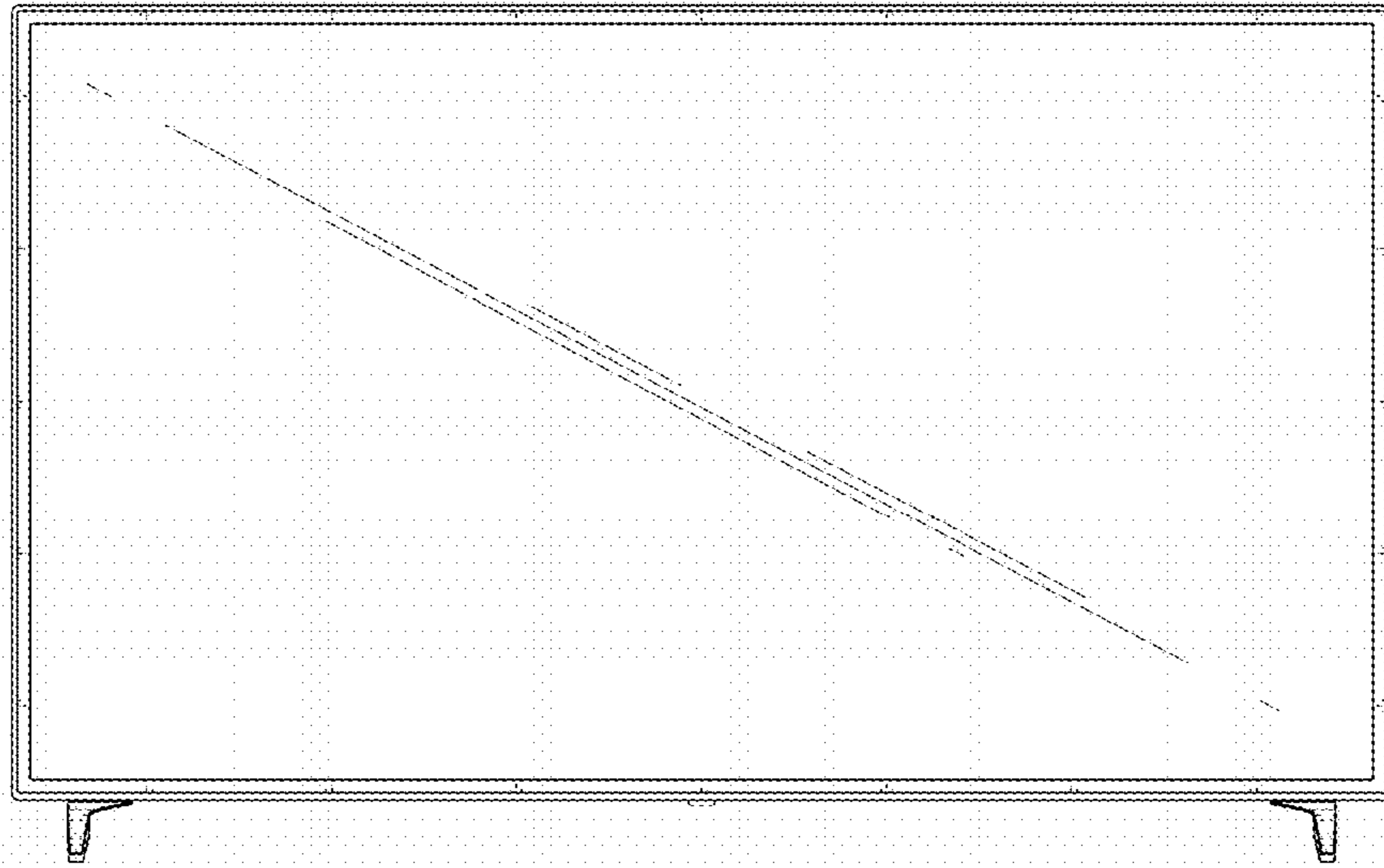
Archer, John, Philips OLEd 901 F 55-inch 4K TV, posted at TechRadar, posting date Feb. 13, 2017. [site visited Jul. 8, 2018] [Available from internet] URL: <<https://www.techradar.com/reviews/audio-visual/televisions/philips-oled-901f-55-inch-4k-tv-1327621/review>> (Year: 2017).*

* cited by examiner

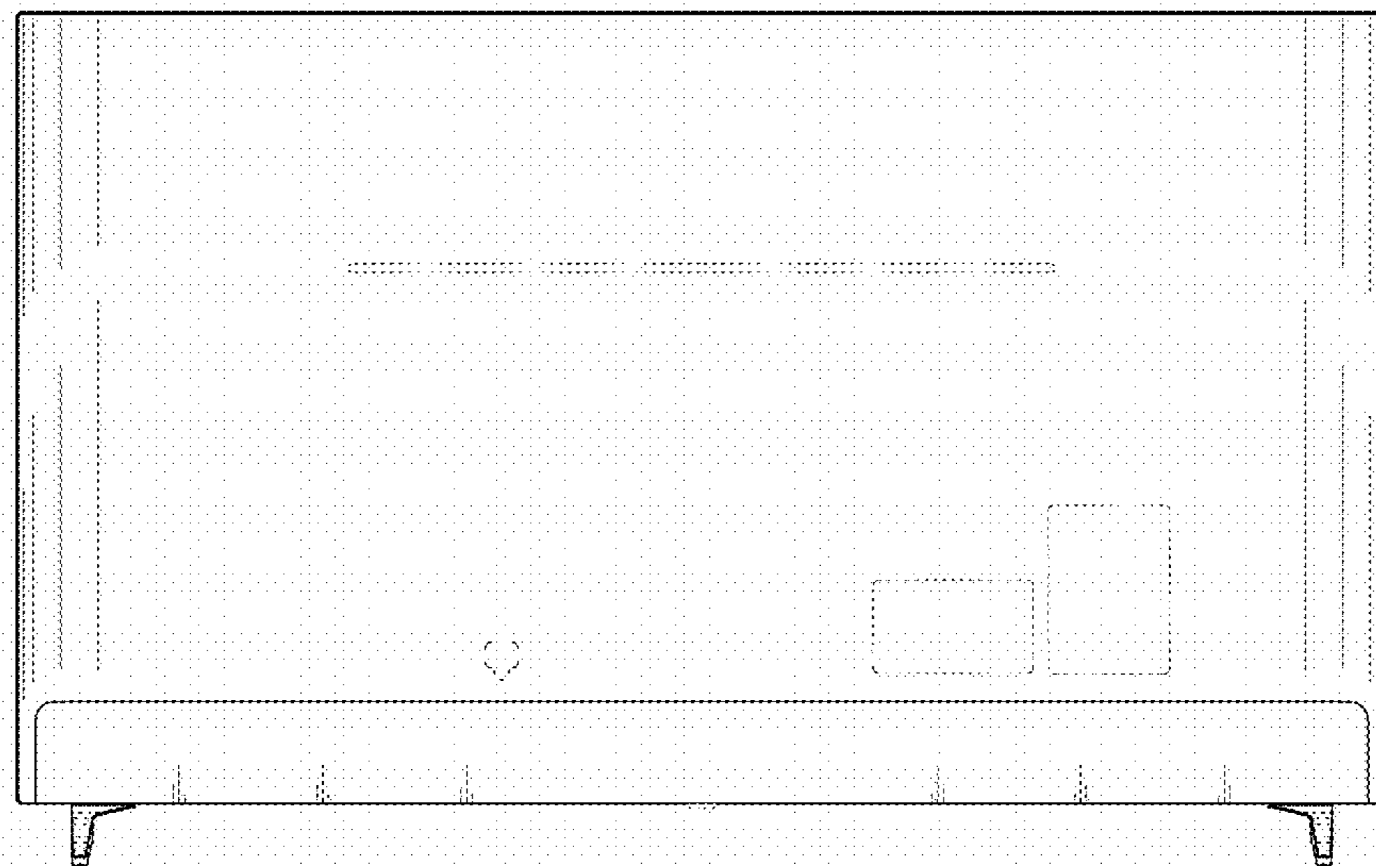
1.1



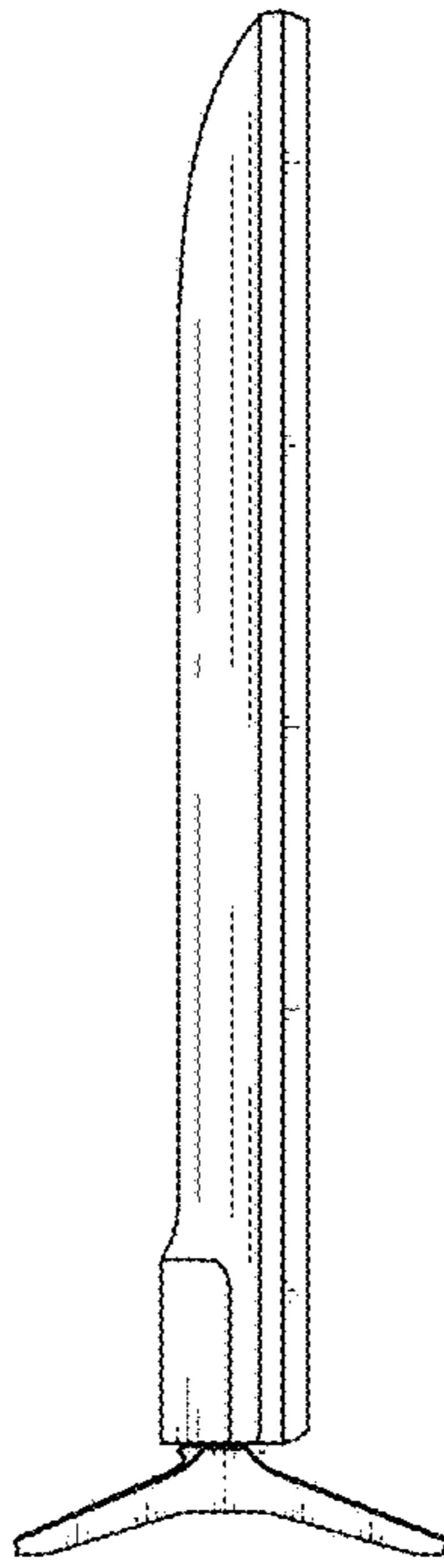
1.2



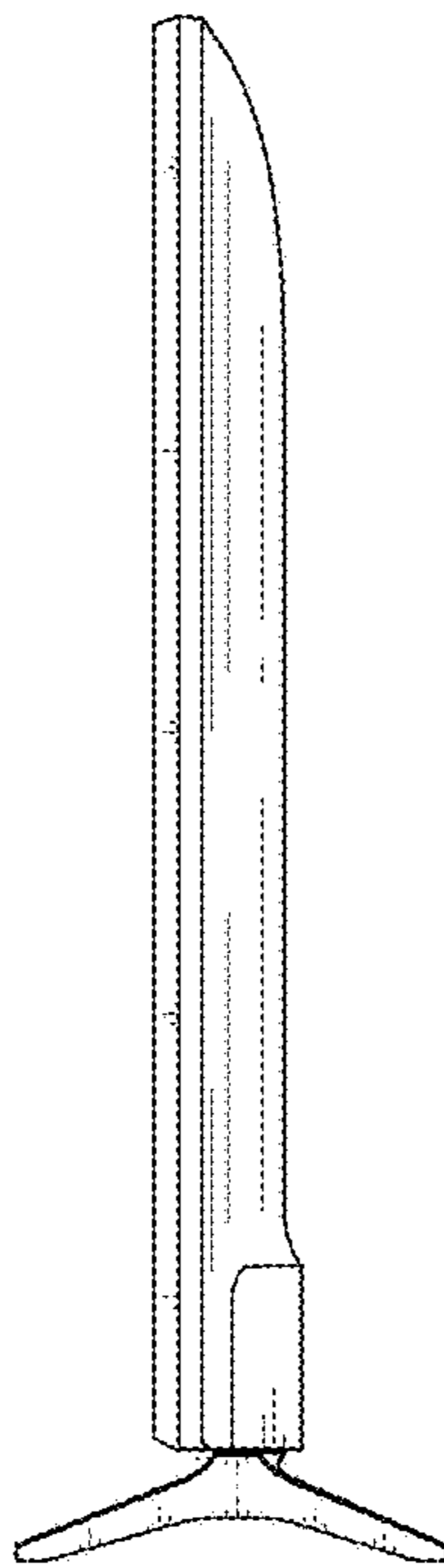
1.3



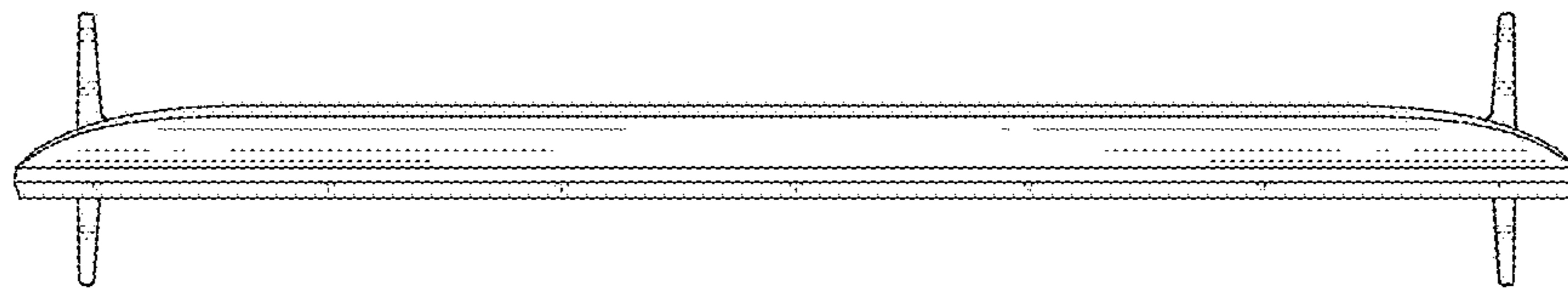
1.4



1.5



1.6



1.7

