



US00D841597S

(12) **United States Design Patent** (10) **Patent No.:** **US D841,597 S**
Nelson (45) **Date of Patent:** **** Feb. 26, 2019**

(54) **MOUNTED POWER STATION**

(71) Applicant: **Michael E. Nelson**, Jonesboro, AR (US)

(72) Inventor: **Michael E. Nelson**, Jonesboro, AR (US)

(**) Term: **15 Years**

(21) Appl. No.: **29/659,862**

(22) Filed: **Aug. 13, 2018**

Related U.S. Application Data

(63) Continuation-in-part of application No. 29/602,647, filed on May 2, 2017, now Pat. No. Des. 825,486, and a continuation-in-part of application No. 29/602,665, filed on May 2, 2017, now Pat. No. Des. 826,177.

(51) **LOC (11) Cl.** **13-03**

(52) **U.S. Cl.**
USPC **D13/154; D13/148**

(58) **Field of Classification Search**
USPC D13/107, 110, 118, 119, 120, 123, 128, D13/133, 146, 147, 148, 149, 154, 184, D13/199

CPC H02J 3/32; H02J 7/00; H02J 7/14; H01R 3/32; H01R 13/66; H02K 53/00; F24J 2/38

See application file for complete search history.

(56) **References Cited**

U.S. PATENT DOCUMENTS

D825,486 S * 8/2018 Nelson D13/154
D826,177 S * 8/2018 Nelson D13/154

* cited by examiner

Primary Examiner — Daniel D Bui

(74) *Attorney, Agent, or Firm* — Schrantz Law Firm, PLLC; Stephen D. Schrantz

(57) **CLAIM**

The ornamental design for a mounted power station, as shown and described.

DESCRIPTION

A portion of the disclosure of this patent document contains material which is subject to intellectual property rights such as but not limited to copyright, trademark, and/or trade dress protection. The owner has no objection to the facsimile reproduction by anyone of the patent document or the patent disclosure as it appears in the Patent and Trademark Office patent files or records but otherwise reserves all rights whatsoever.

FIG. 1 is a top, rear and left side perspective view of a mounted power station showing my new design;

FIG. 2 is a bottom, front and left side perspective view thereof;

FIG. 3 is a front elevation view thereof;

FIG. 4 is a rear elevation view thereof;

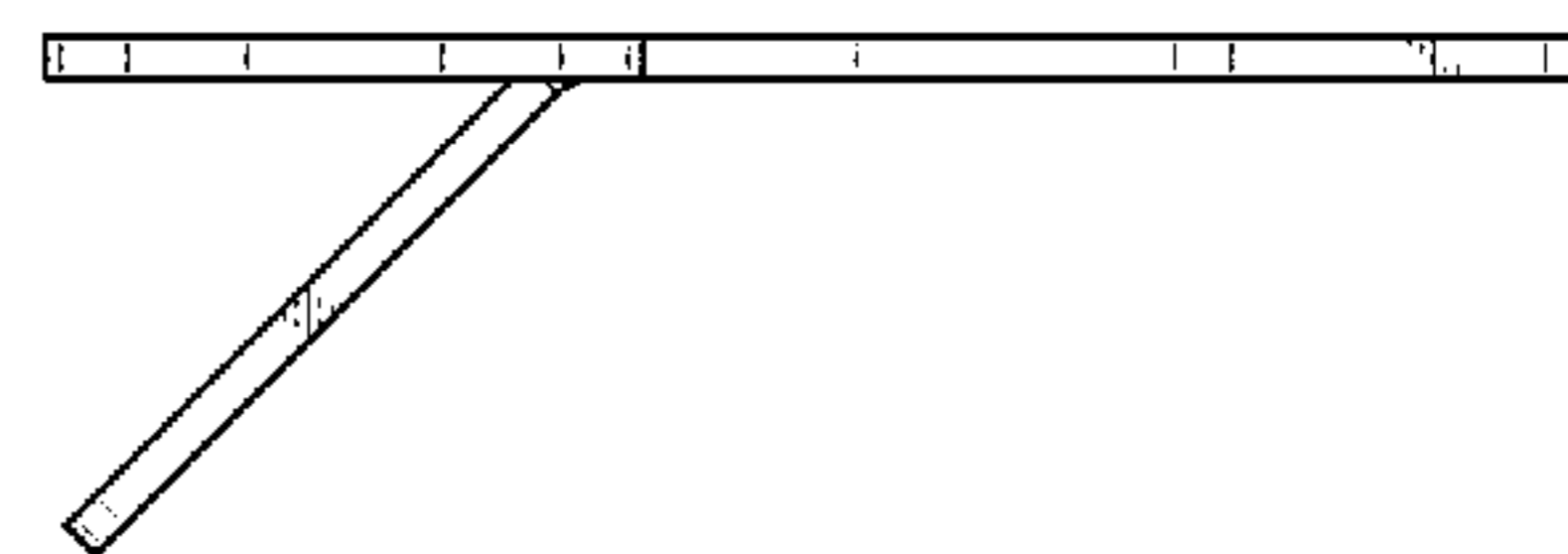
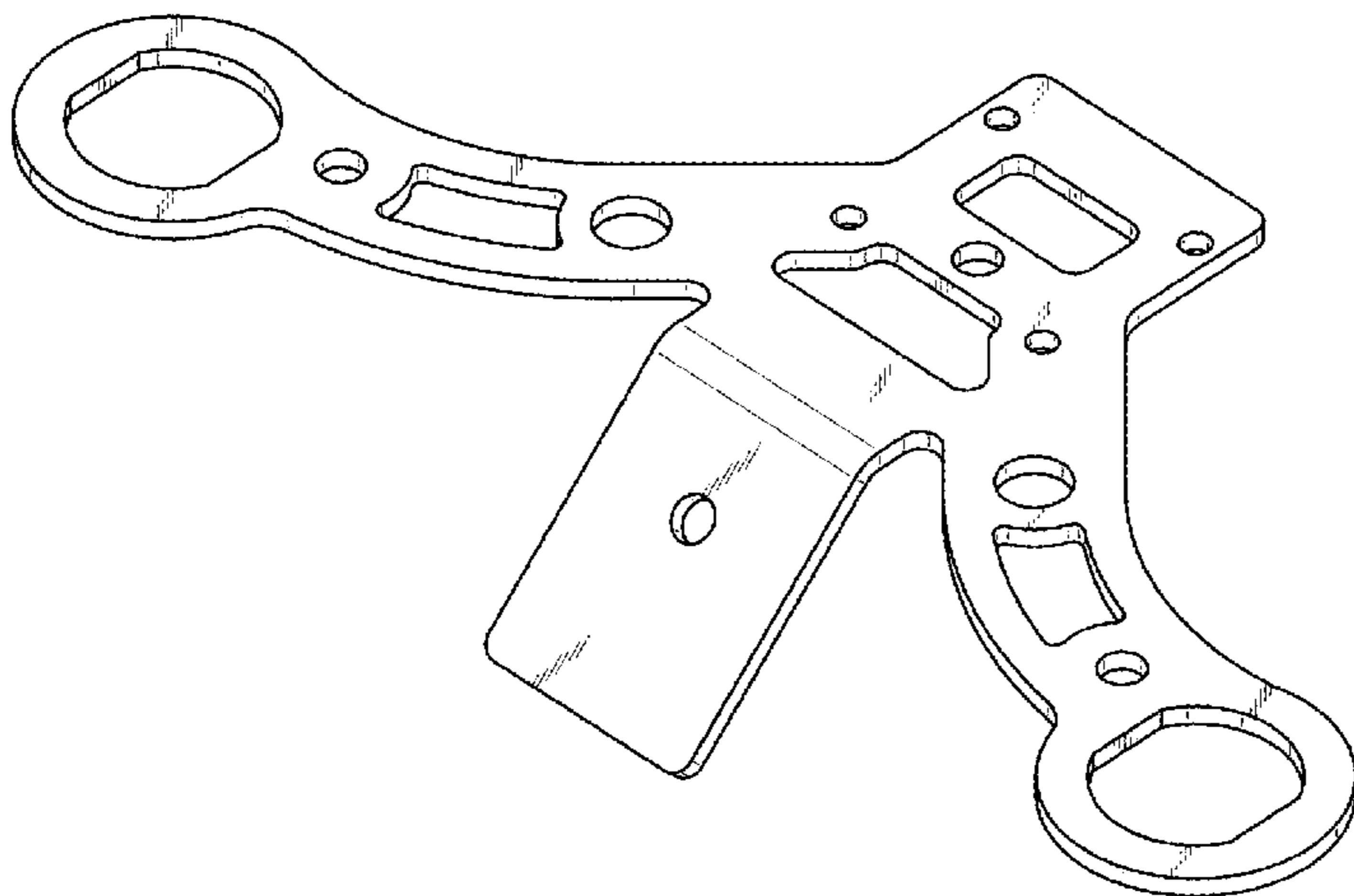
FIG. 5 is a right side elevation view thereof;

FIG. 6 is a left side elevation view thereof;

FIG. 7 is a top plan view thereof; and,

FIG. 8 is a bottom plan view thereof.

1 Claim, 3 Drawing Sheets



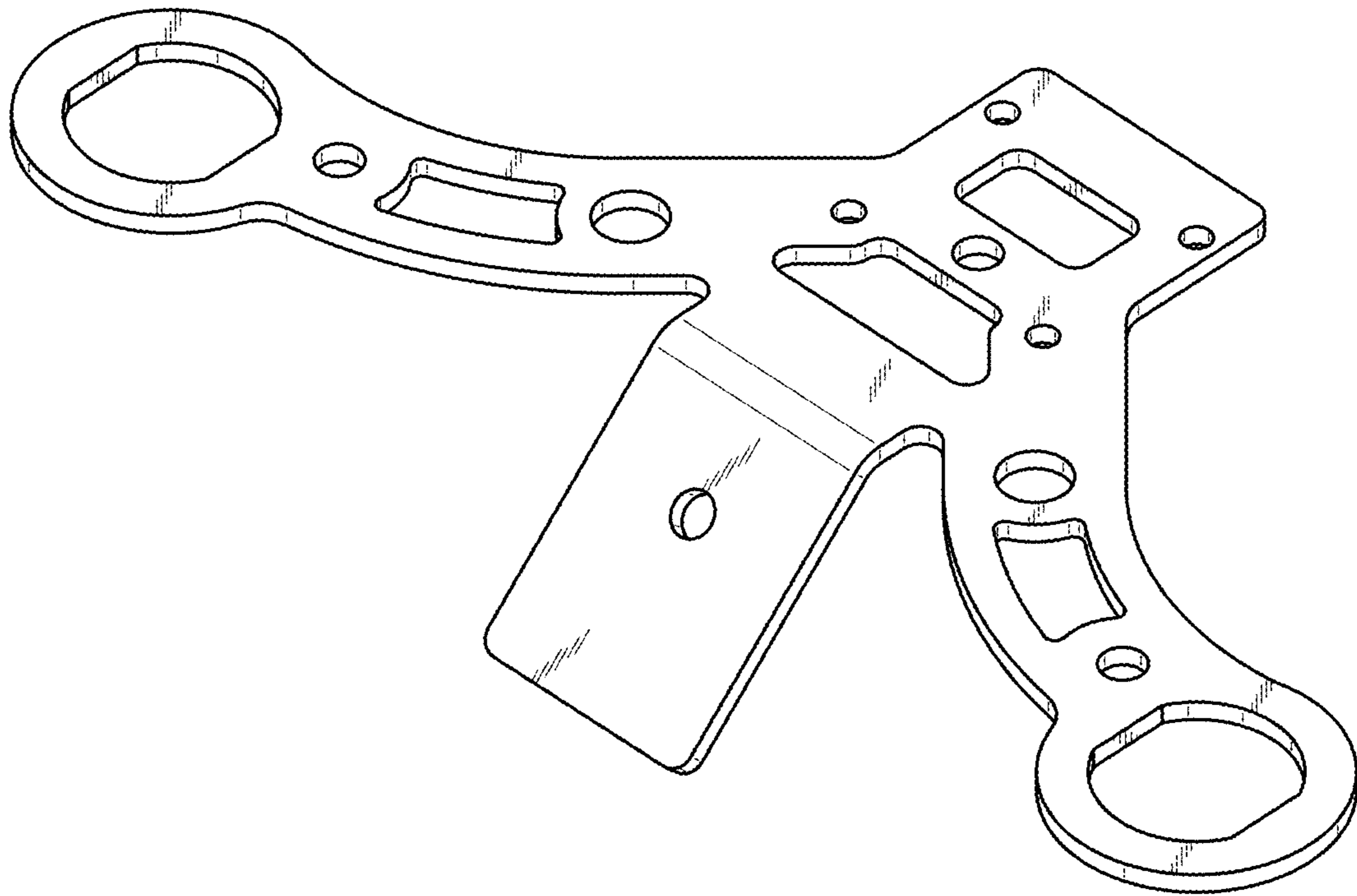


FIG. 1

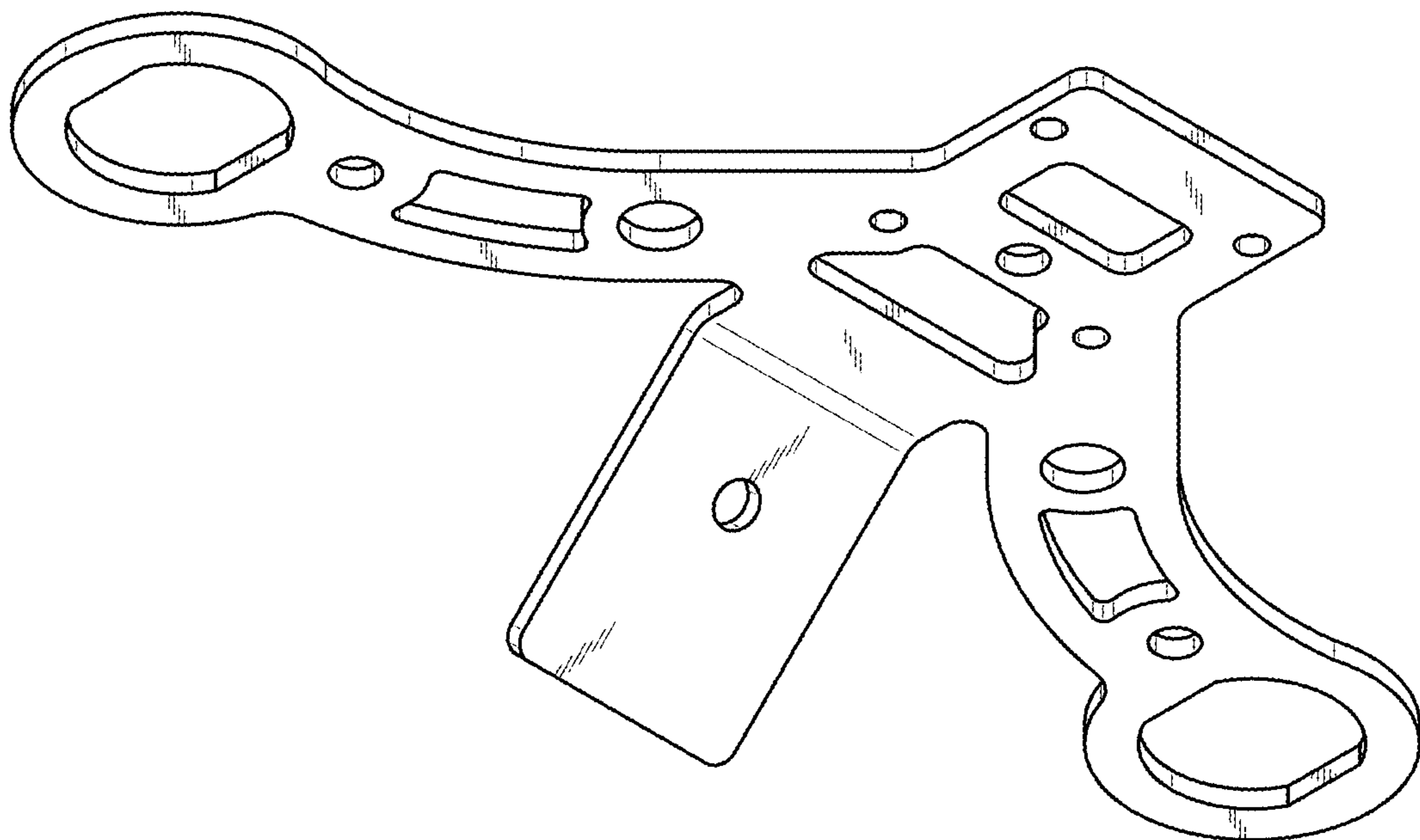


FIG. 2

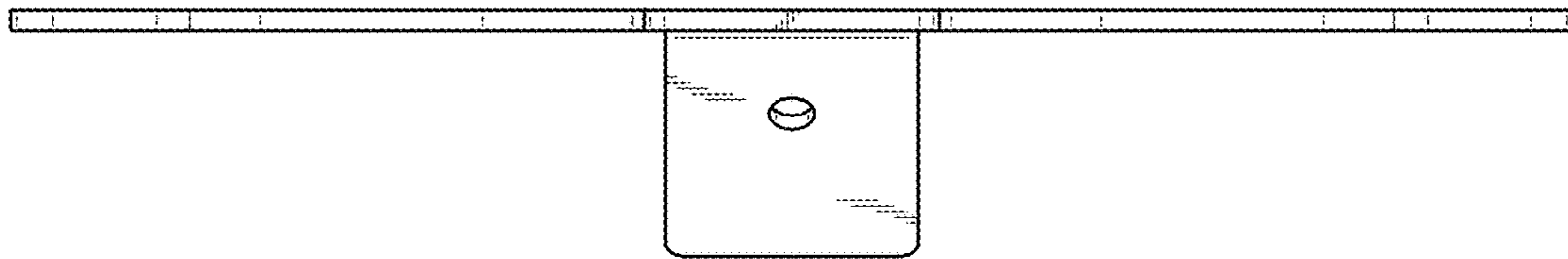


FIG. 3

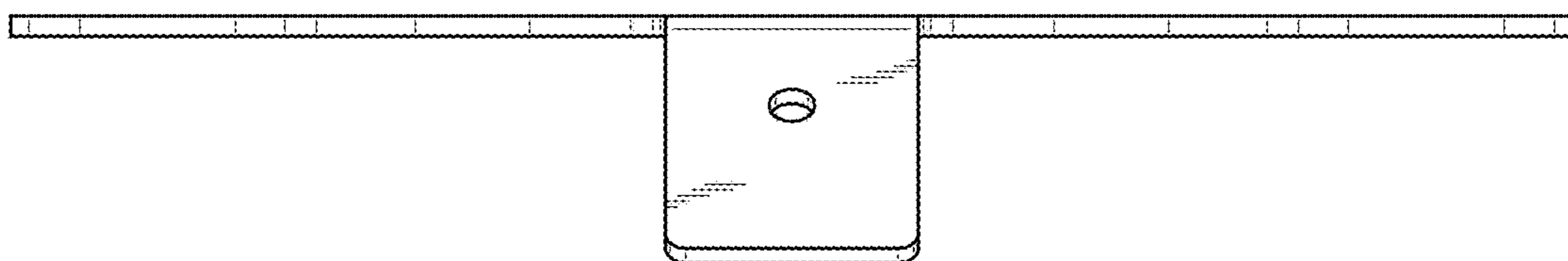


FIG. 4

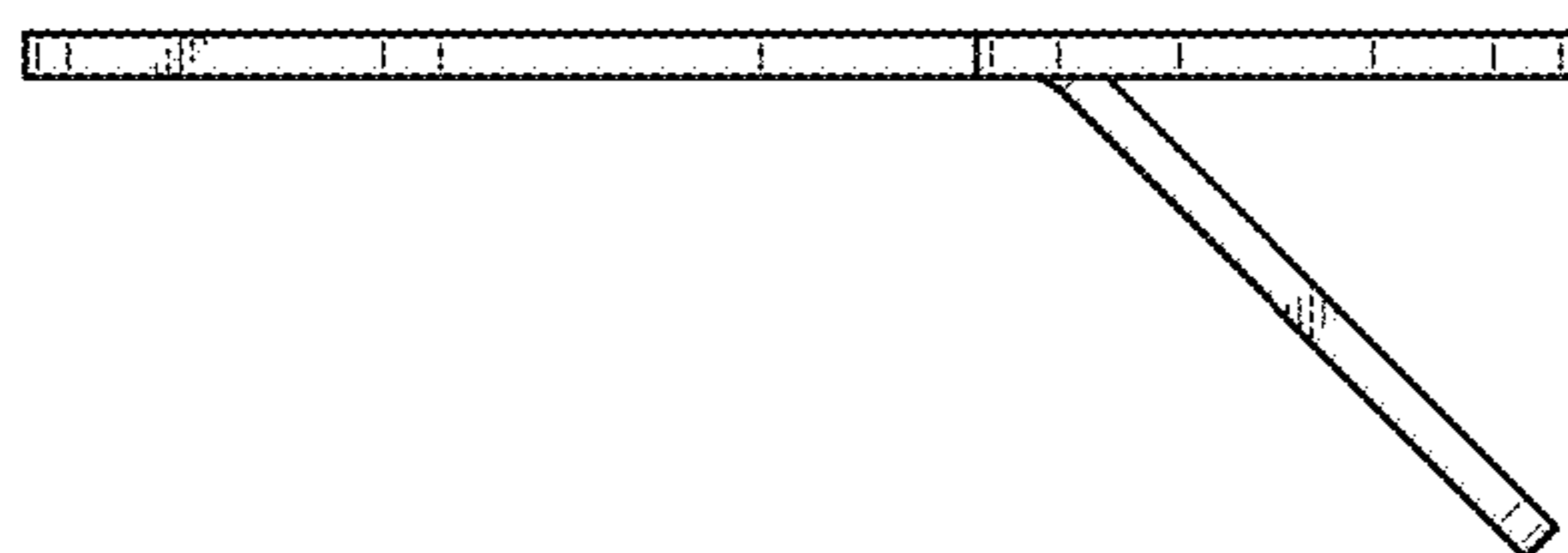


FIG. 5

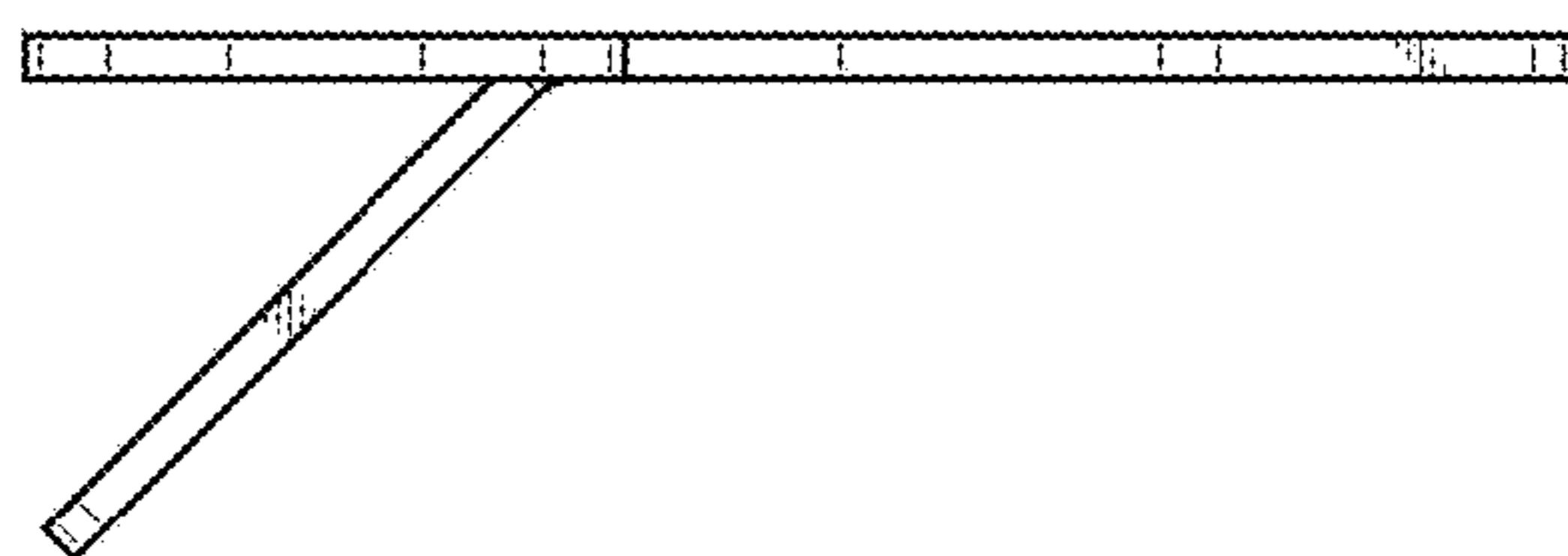


FIG. 6

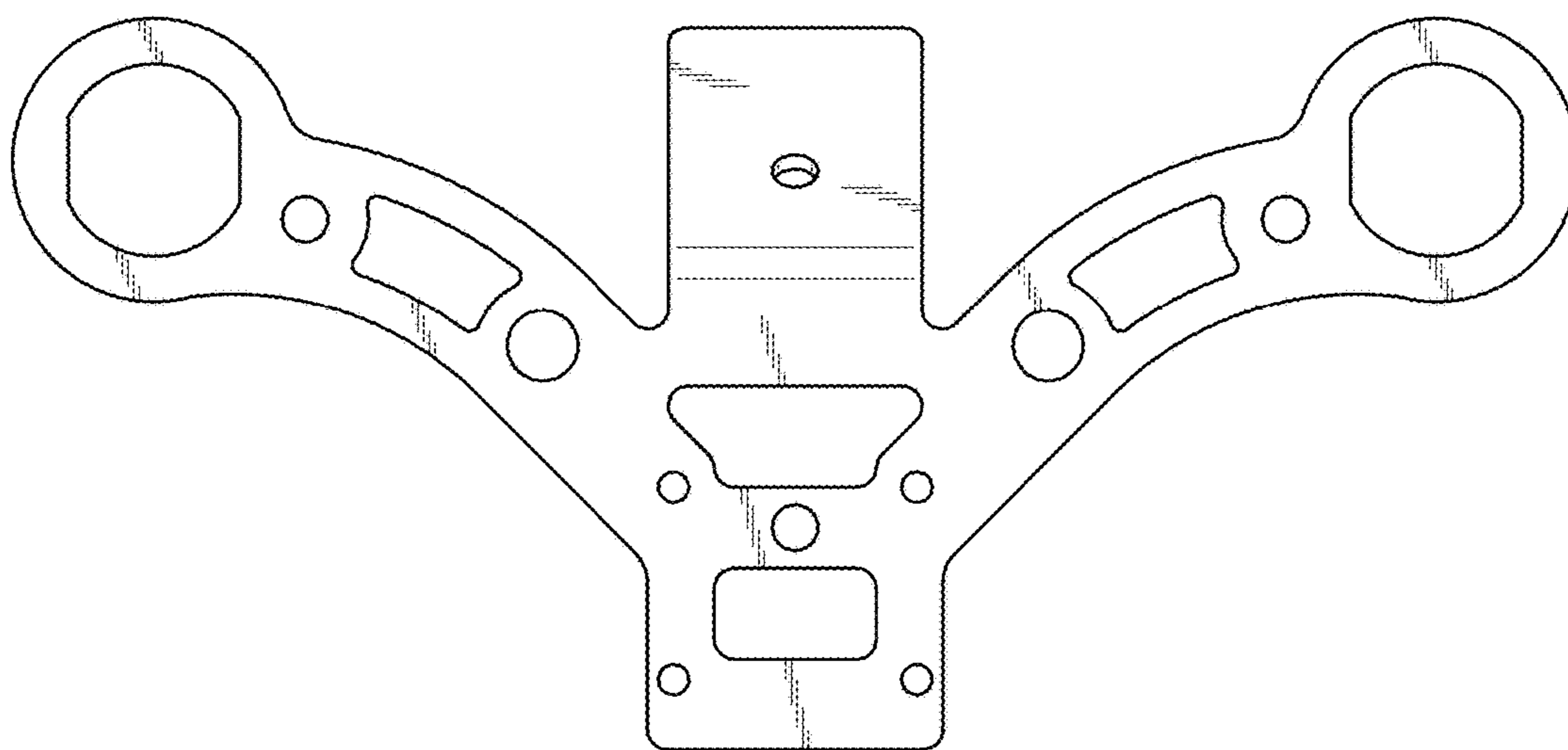


FIG. 7

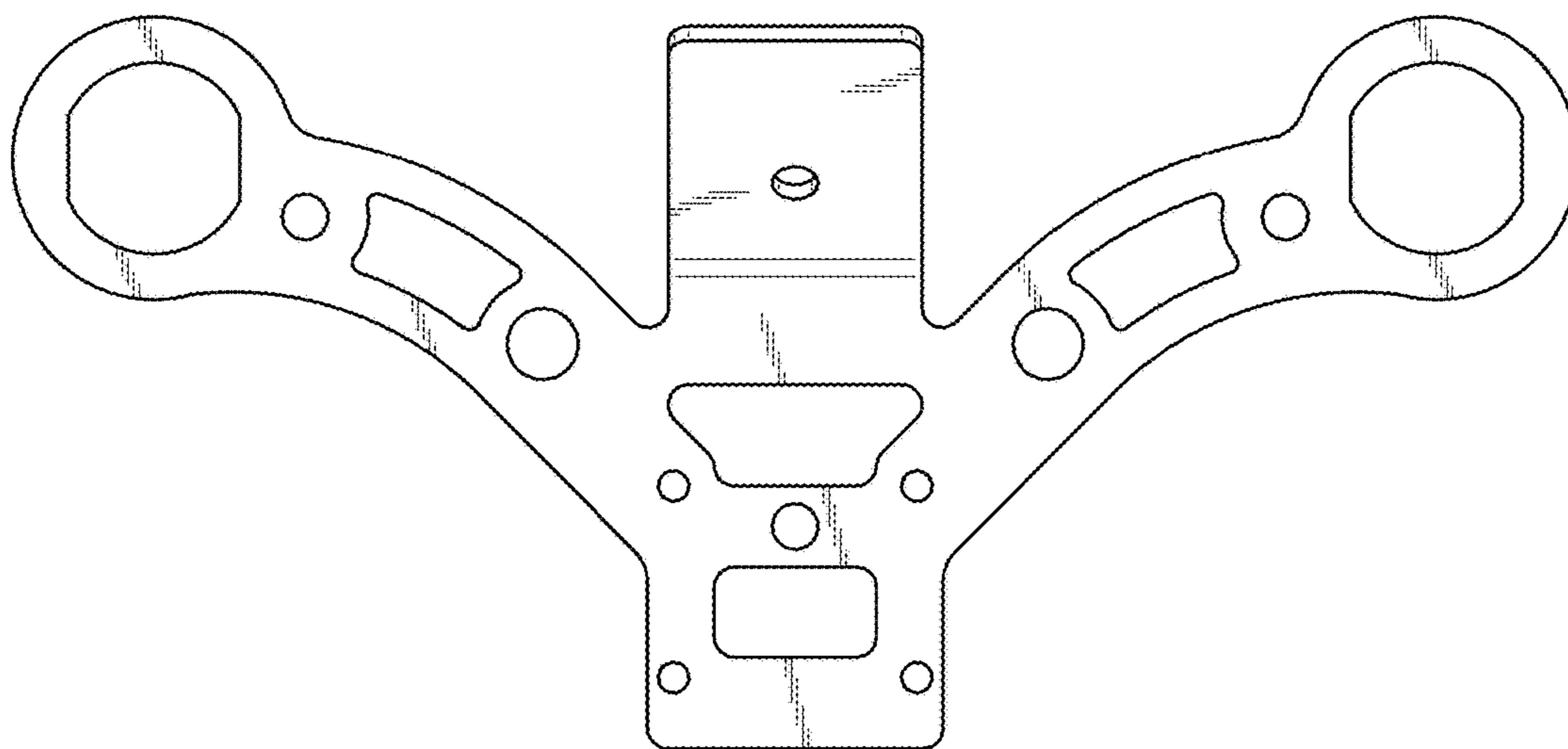


FIG. 8