



US00D841593S

(12) **United States Design Patent**
Zaurrini

(10) **Patent No.:** **US D841,593 S**
(45) **Date of Patent:** **** Feb. 26, 2019**

(54) **WATERPROOF POWER COUPLER**

FOREIGN PATENT DOCUMENTS

(71) Applicant: **Zap Cap IP Pty Ltd**, Greystanes, New South Wales (AU)

AU 2004202503 5/2005
EM 004733574-0001 * 1/2018
EM 004733574-0002 * 1/2018

(72) Inventor: **Pasquale Peter Zaurrini**, Greystanes (AU)

OTHER PUBLICATIONS

(73) Assignee: **Zap Cap IP Pty Ltd**, Greystanes, New South Wales (AU)

ZapCap Updated 2014, dated Aug. 25, 2014, [online], [site visited Oct. 23, 2018]. Available from Internet, <URL: <https://www.youtube.com/watch?v=a0iqTtZkB8>> (Year: 2014).*

(Continued)

(**) Term: **15 Years**

Primary Examiner — Angela J Lee

(21) Appl. No.: **29/639,187**

Assistant Examiner — Shawn T Gingrich

(22) Filed: **Mar. 5, 2018**

(74) *Attorney, Agent, or Firm* — Dority & Manning, P.A.

(51) **LOC (11) Cl.** **13-03**

(57) **CLAIM**

The ornamental design for a waterproof power coupler, as shown and described.

(52) **U.S. Cl.**

DESCRIPTION

USPC **D13/139.6; D13/156**

(58) **Field of Classification Search**

USPC D13/118, 123, 133, 137.1, 137.3, 139.1, D13/139.3, 139.4, 139.6, 139.8, 146, 147, D13/149, 152, 154, 173, 184, 199, 156; D8/353

CPC H01R 13/52; H01R 13/5213; H01R 13/5221; H01R 13/62; H01R 13/63; H01R 13/639; H01R 13/6392; H01R 13/447; H01R 33/90; H02G 15/10; H02G 15/18; H02G 3/08; H02G 3/14; H02G 3/18

See application file for complete search history.

FIG. 1 is a top perspective view of a waterproof power coupler according to the present design;
FIG. 2 is a front view of the waterproof power coupler of FIG. 1;
FIG. 3 is a left side view of the waterproof power coupler of FIG. 1;
FIG. 4 is a rear view of the waterproof power coupler of FIG. 1;
FIG. 5 is a right side view of the waterproof power coupler of FIG. 1;
FIG. 6 is a top perspective view of the waterproof power coupler of FIG. 1 when the waterproof power coupler is open;
FIG. 7 is a front view of the waterproof power coupler of FIG. 6;
FIG. 8 is a left side view of the waterproof power coupler of FIG. 6;
FIG. 9 is a rear view of the waterproof power coupler of FIG. 6; and,
FIG. 10 is a right side view of the waterproof power coupler of FIG. 6.

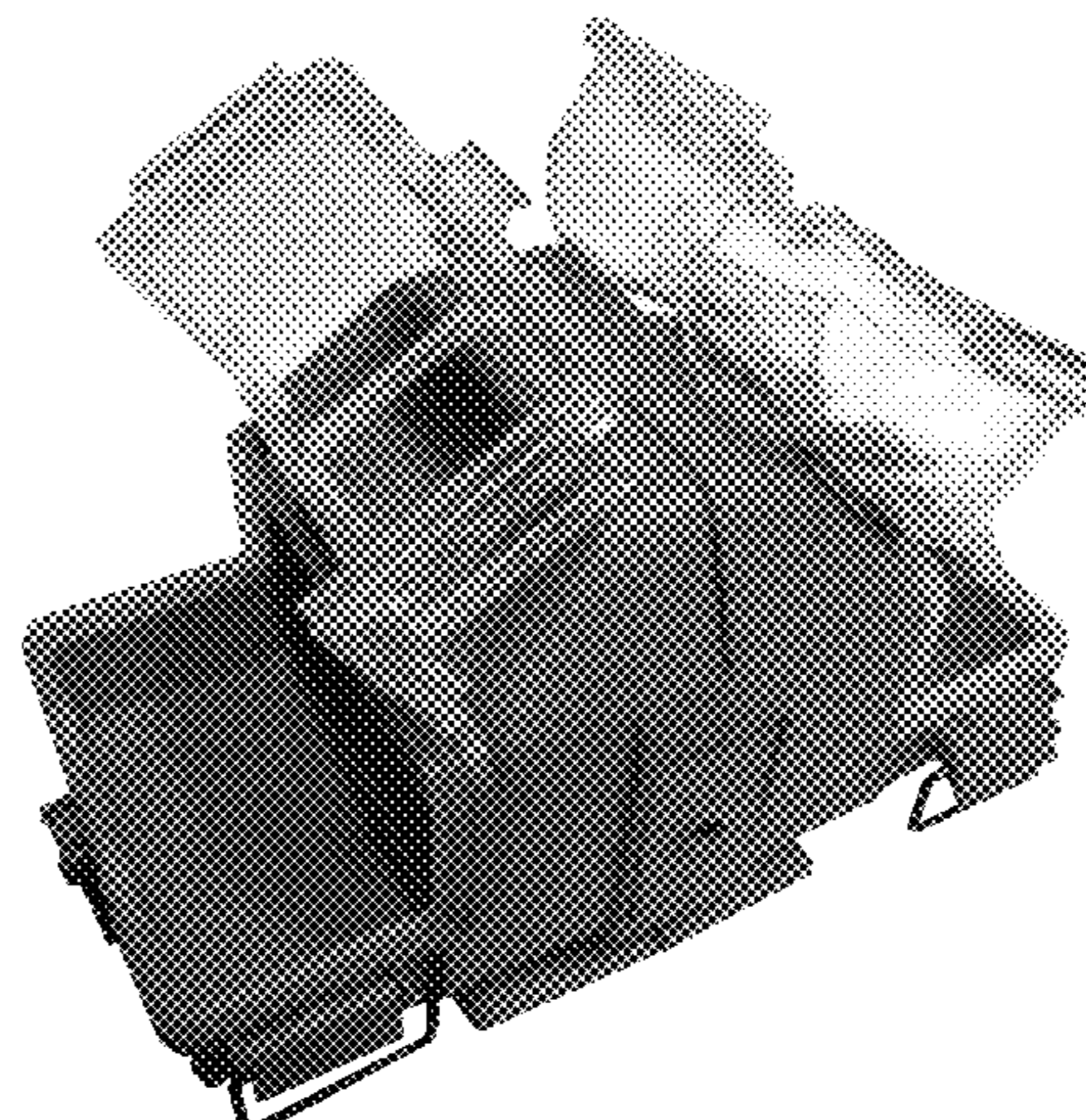
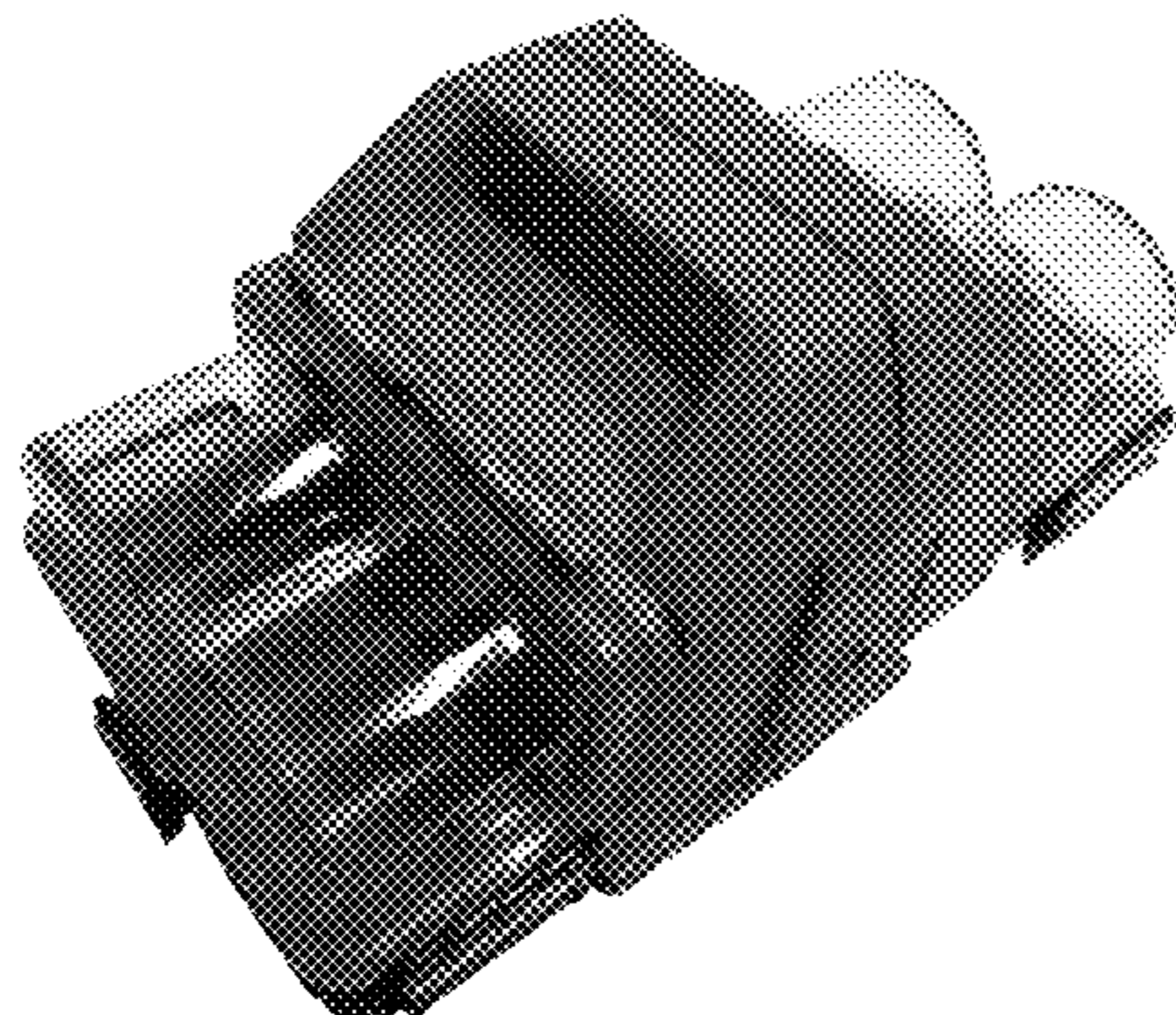
(56) **References Cited**

U.S. PATENT DOCUMENTS

4,214,802 A 7/1980 Otani et al.
4,724,281 A 2/1988 Nix et al.
D342,233 S * 12/1993 Berlin D13/156
5,306,176 A 4/1994 Coffey
5,382,756 A 1/1995 Dagan

(Continued)

1 Claim, 10 Drawing Sheets



(56)

References Cited

U.S. PATENT DOCUMENTS

5,551,888 A 9/1996 Rhodes, Sr.
 5,913,692 A 6/1999 Targett
 D411,826 S * 7/1999 Lamar D13/139.6
 6,099,340 A 8/2000 Florentine
 D430,850 S * 9/2000 Alves D13/123
 6,250,946 B1 6/2001 Tardy
 D464,325 S * 10/2002 Peters D13/156
 D464,627 S * 10/2002 Metcalf D13/152
 D466,086 S * 11/2002 Metcalf D13/152
 6,551,135 B2 4/2003 Stekelenburg
 D479,201 S * 9/2003 Limber D13/156
 7,285,725 B1 10/2007 Saman
 7,431,611 B2 10/2008 King, Jr. et al.
 7,550,672 B2 6/2009 Chadbourne et al.
 7,686,661 B2 3/2010 Shrum et al.
 8,016,607 B2 9/2011 Brown, II
 8,408,929 B2 4/2013 Solon
 9,197,005 B2 11/2015 Zaurrini
 D753,606 S * 4/2016 Nooner H01R 13/5213
 D13/156
 D783,542 S * 4/2017 Marsden H01R 13/447
 D13/156

2004/0219820 A1 11/2004 Sokol et al.
 2016/0172830 A1 * 6/2016 Huang H02G 3/14
 174/66
 2016/0329132 A1 * 11/2016 Nooner H01R 13/5213

OTHER PUBLICATIONS

ZapCap, dated Apr. 6, 2016, [online], [site visited Oct. 23, 2018]. Available from Internet, <URL: <http://www.zapcapsafety.com/zap-cap/>> (Year: 2016).*

Taymac MM510C Weatherproof Single Outlet Cover Outdoor Receptacle Protector, dated Nov. 19, 2008, [online], [site visited Oct. 23, 2018]. Available from Internet, <URL: <https://www.amazon.com/MM510C-Weatherproof-Outdoor-Receptacle-Protector/dp/B001JEPX4Y>> (Year: 2008).*

International Search Report for PCT/AU2012/000666, Aug. 20, 2012, 3 pages.

Examination Report for NZ617829, dated Aug. 8, 2014, 2 pages.

Supplementary EP Search Report for EP12797185, dated Nov. 14, 2014, 5 pages.

* cited by examiner



FIG. 1

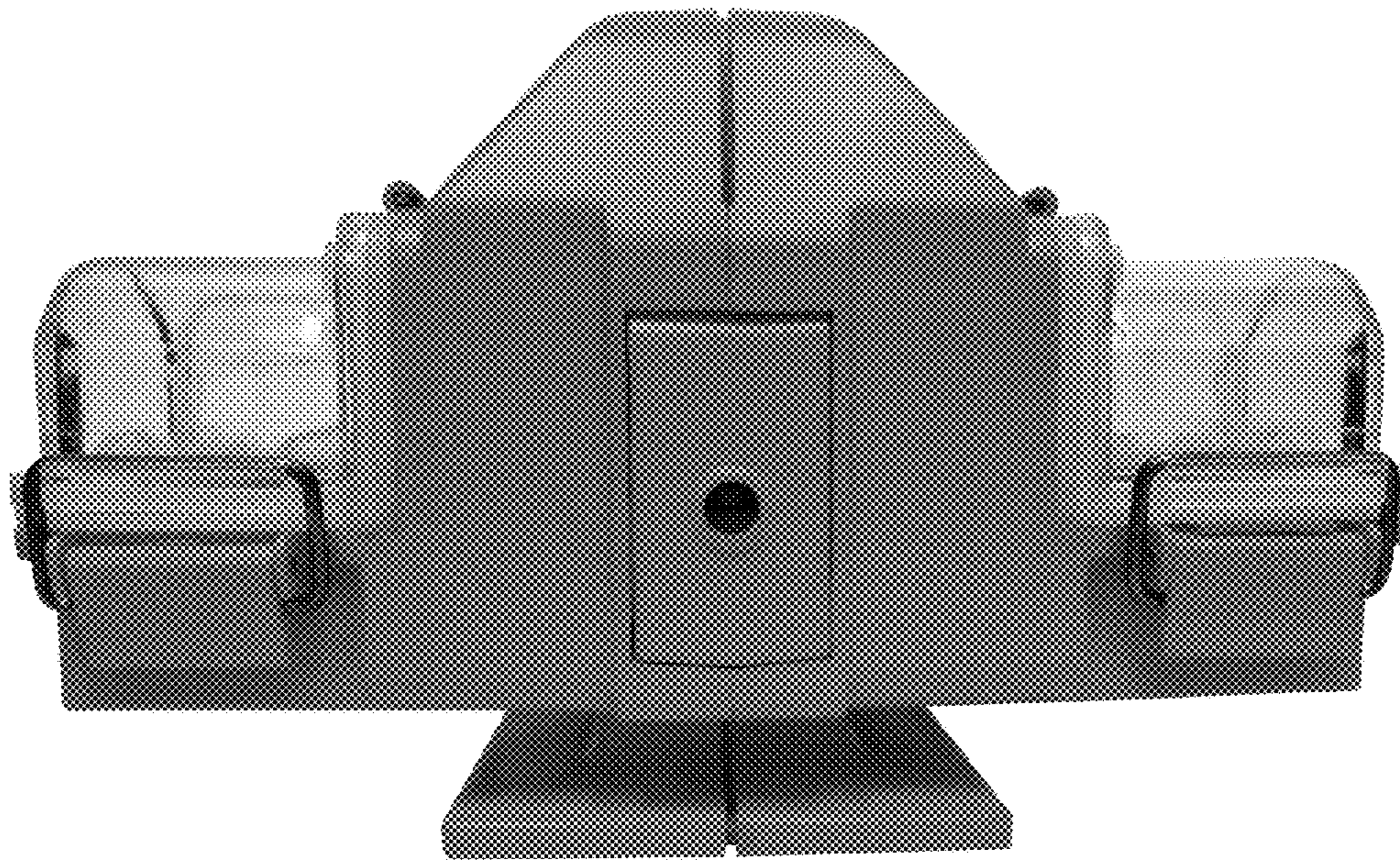


FIG. 2

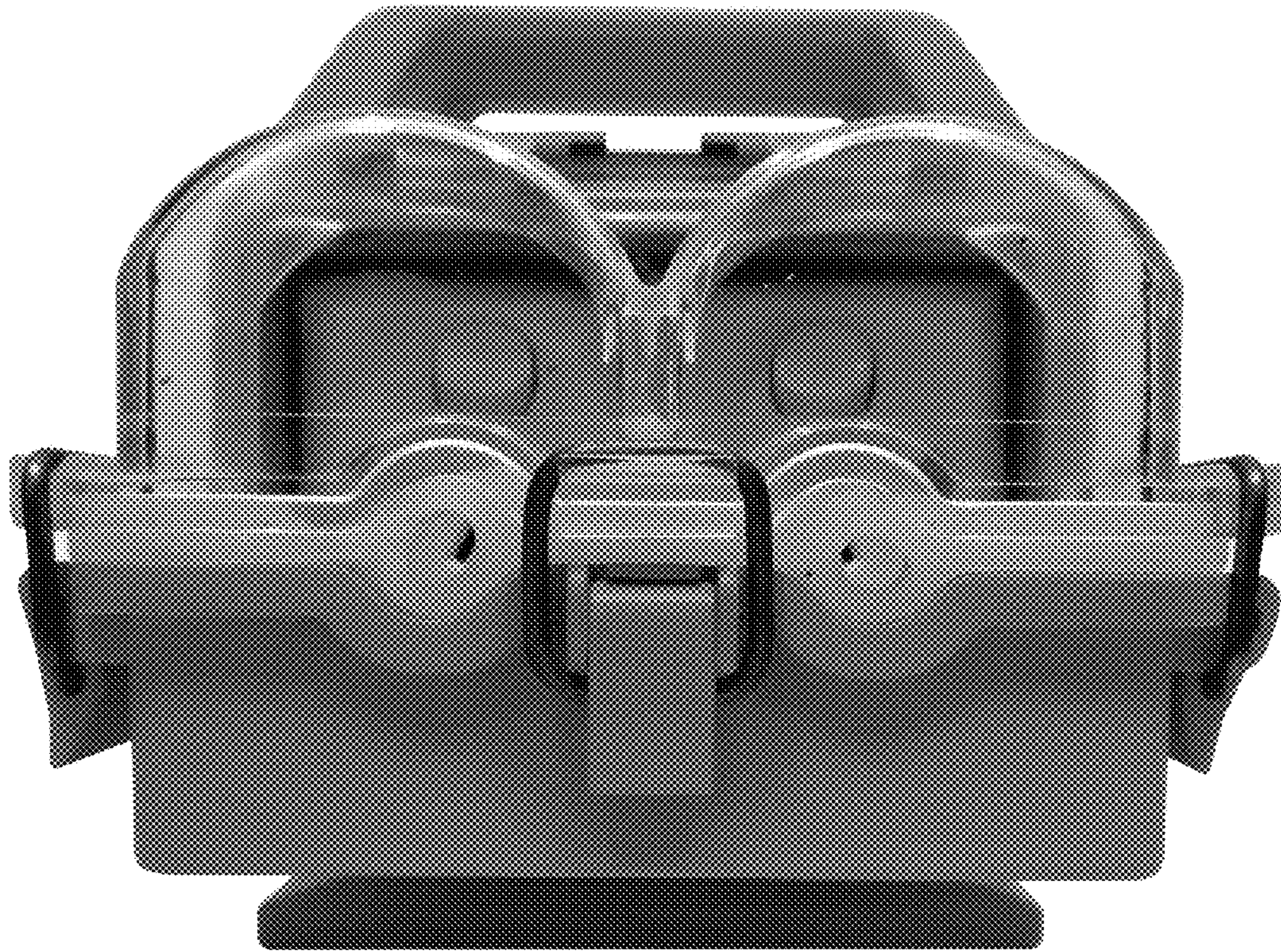


FIG. 3

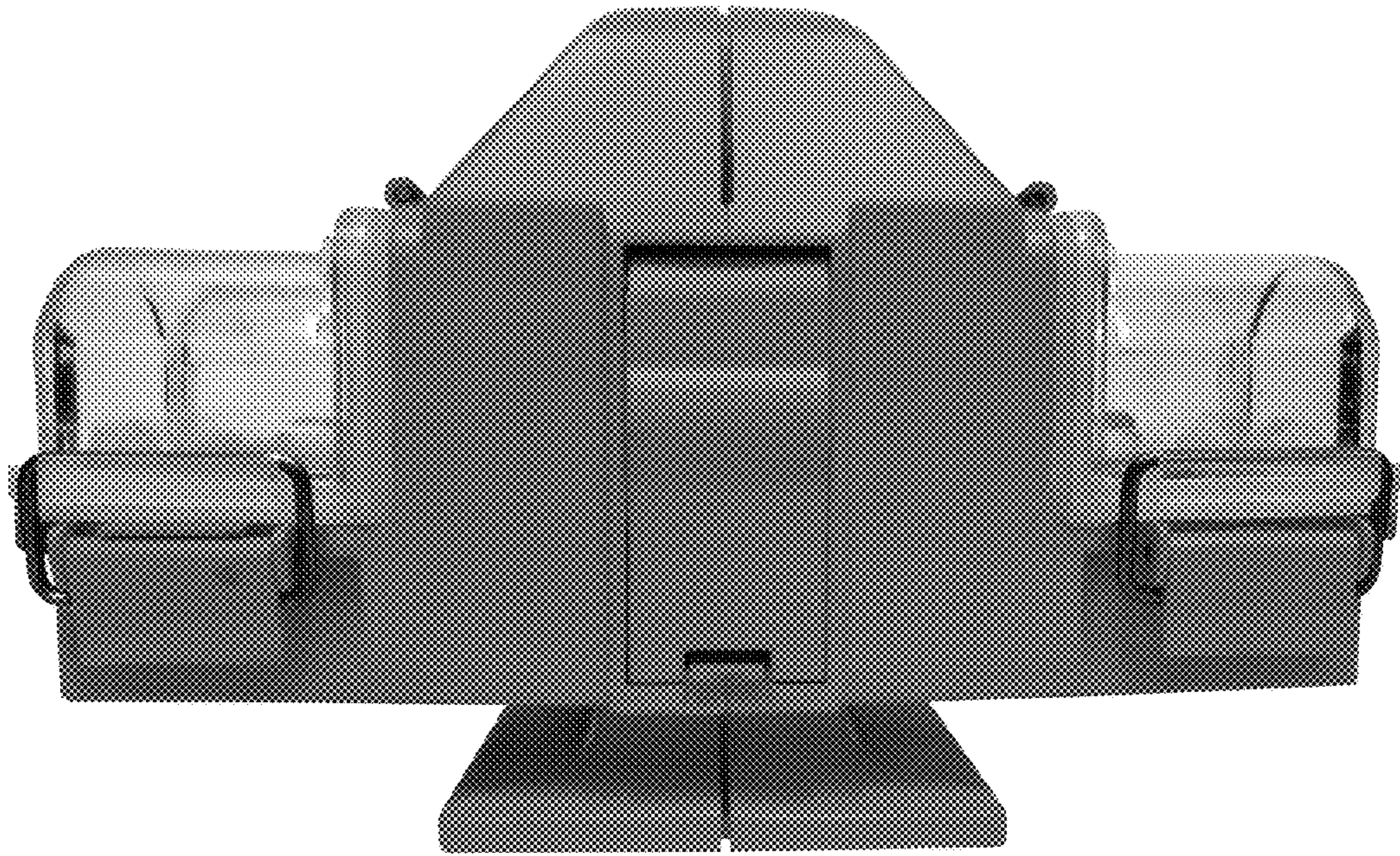


FIG. 4

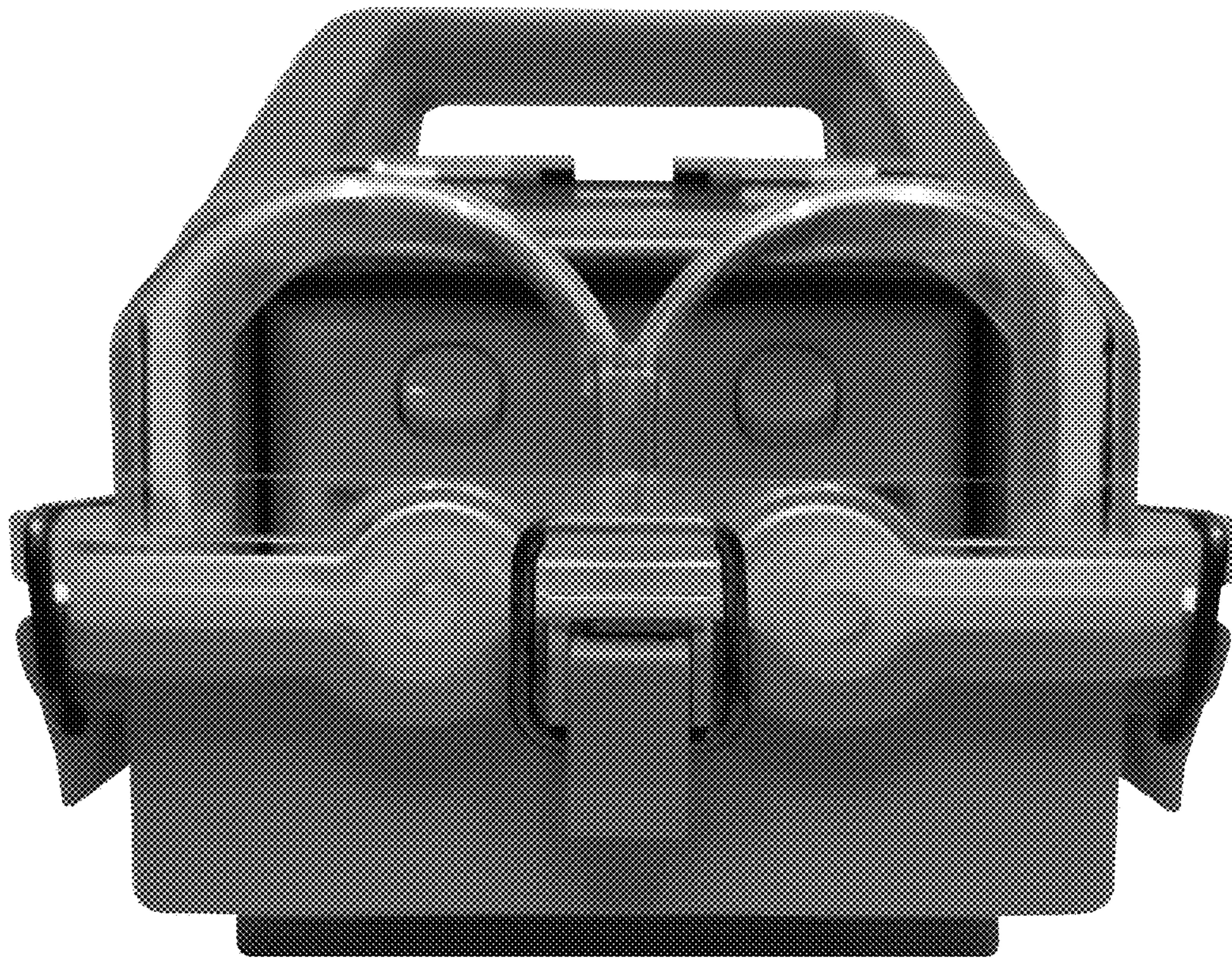


FIG. 5



FIG. 6

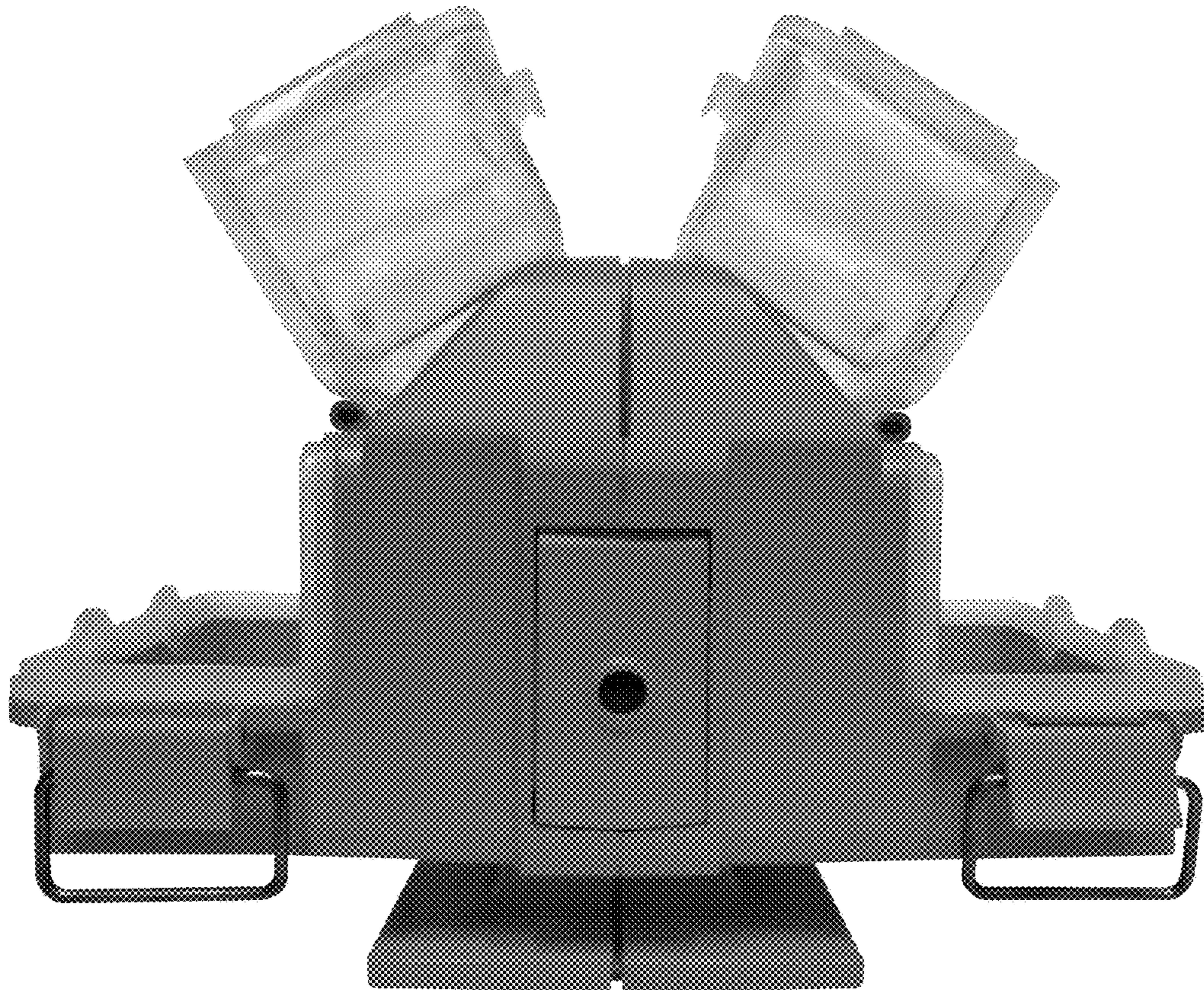


FIG. 7

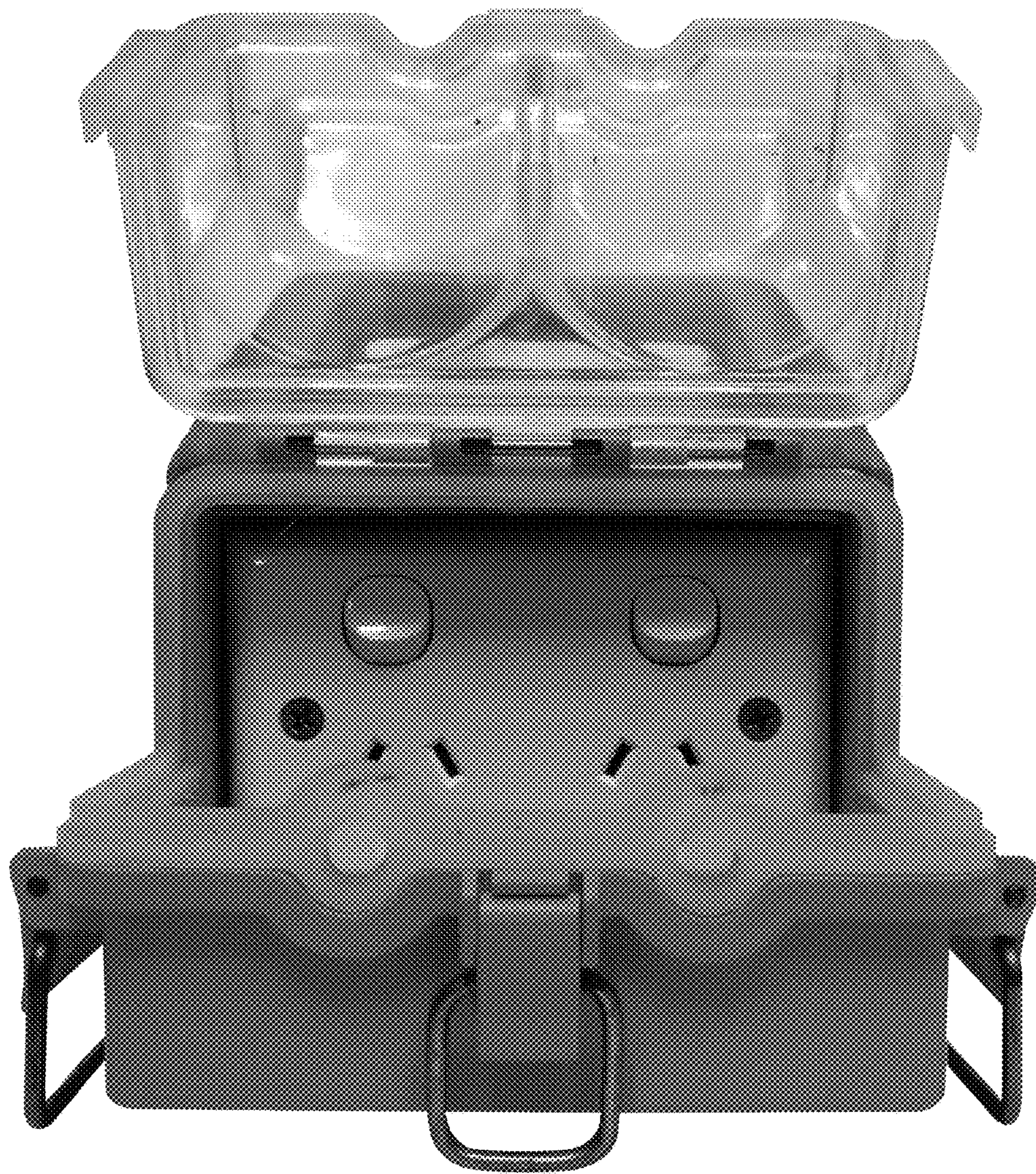


FIG. 8

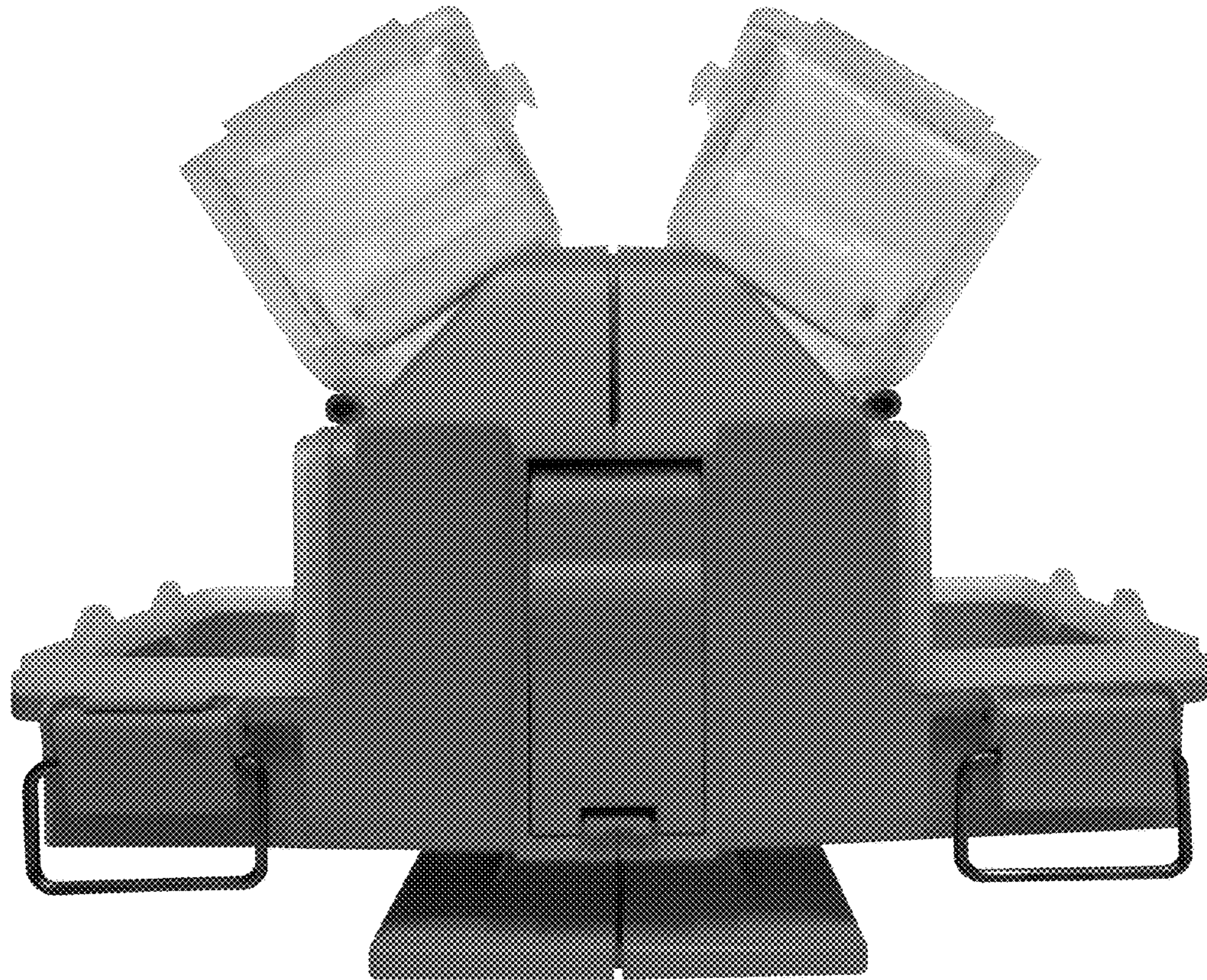


FIG. 9



FIG. 10