



US00D841590S

(12) **United States Design Patent** (10) **Patent No.:** **US D841,590 S**  
**Otsuka et al.** (45) **Date of Patent:** **\*\* Feb. 26, 2019**

(54) **SOCKET FOR INDICATING LAMP**

(71) Applicant: **OMRON Corporation**, Kyoto-shi,  
Kyoto (JP)

(72) Inventors: **Hiroyuki Otsuka**, Okayama (JP);  
**Kazuaki Morita**, Izumo (JP); **Shinya  
Katsube**, Okayama (JP)

(73) Assignee: **OMRON Corporation**, Kyoto (JP)

(\*\*) Term: **15 Years**

(21) Appl. No.: **29/586,800**

(22) Filed: **Dec. 7, 2016**

(30) **Foreign Application Priority Data**

Jun. 14, 2016 (JP) ..... 2016-012730

(51) **LOC (11) Cl.** ..... **13-03**

(52) **U.S. Cl.**  
USPC ..... **D13/134**

(58) **Field of Classification Search**  
USPC ..... D13/107, 110, 118, 123, 133, 134, 146,  
D13/147, 149, 151, 153, 154, 161, 173,  
D13/177, 184, 199; D26/28, 29  
CPC ..... B60Q 1/00; B60Q 1/52; F21S 4/00; F21S  
8/10; F21S 41/24; F21S 41/162; F21V  
29/00; F21V 19/00; G02B 6/00; G02B  
6/36; H01R 12/00; H01R 13/00; H01R  
33/00; H01R 24/00

See application file for complete search history.

(56) **References Cited**

**U.S. PATENT DOCUMENTS**

D644,179 S \* 8/2011 Dobler ..... D13/133  
D649,512 S \* 11/2011 Shimoji ..... D13/133

D686,579 S \* 7/2013 Fujioka ..... D13/133  
D801,933 S \* 11/2017 Sasaki ..... D13/133  
D817,880 S \* 5/2018 Dobashi ..... D13/133  
2006/0040566 A1 \* 2/2006 Thomas ..... F21S 41/19  
439/699.2  
2006/0187682 A1 \* 8/2006 Goto ..... H01R 13/5205  
362/652  
2010/0103692 A1 \* 4/2010 Helbig ..... H01J 5/56  
362/548  
2012/0213479 A1 \* 8/2012 Zhu ..... G02B 6/3849  
385/76  
2016/0290621 A1 \* 10/2016 Ozawa ..... F21S 43/195  
2018/0105101 A1 \* 4/2018 Tatara ..... F21V 19/00

\* cited by examiner

*Primary Examiner* — Angela J Lee

*Assistant Examiner* — Shawn T Gingrich

(74) *Attorney, Agent, or Firm* — Capitol City TechLaw

(57) **CLAIM**

The ornamental design for a socket for indicating lamp, as shown and described.

**DESCRIPTION**

FIG. 1 is a front, top, and right side perspective view of a socket for indicating lamp showing our new design;  
FIG. 2 is a front view thereof;  
FIG. 3 is a rear view thereof;  
FIG. 4 is a left side view thereof;  
FIG. 5 is a right side view thereof;  
FIG. 6 is a top view thereof; and,  
FIG. 7 is a bottom view thereof.  
The broken lines shown in the figures illustrate portions of the socket for indicating lamp that form no part of the claimed design.

**1 Claim, 7 Drawing Sheets**

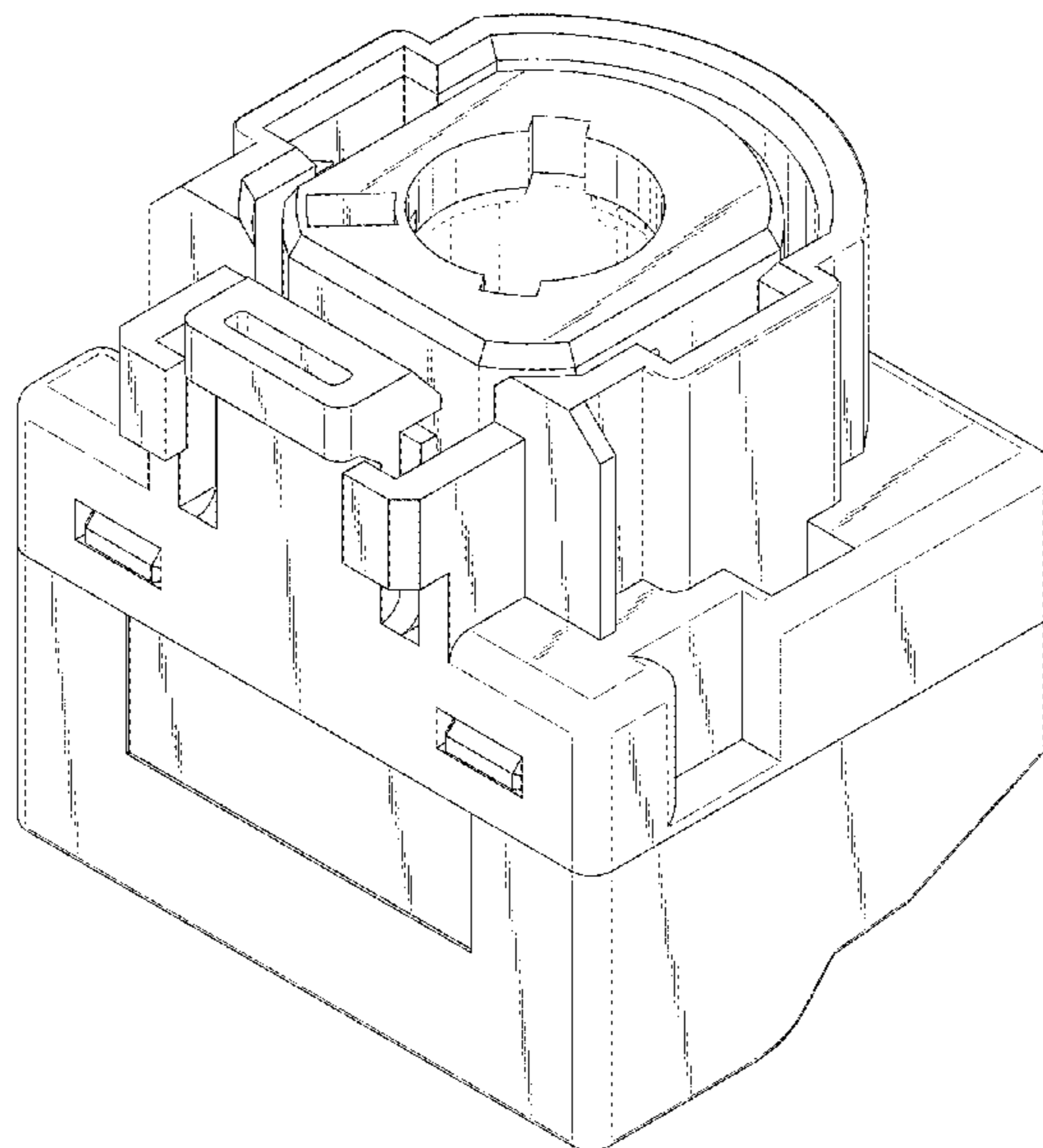


Fig. 1

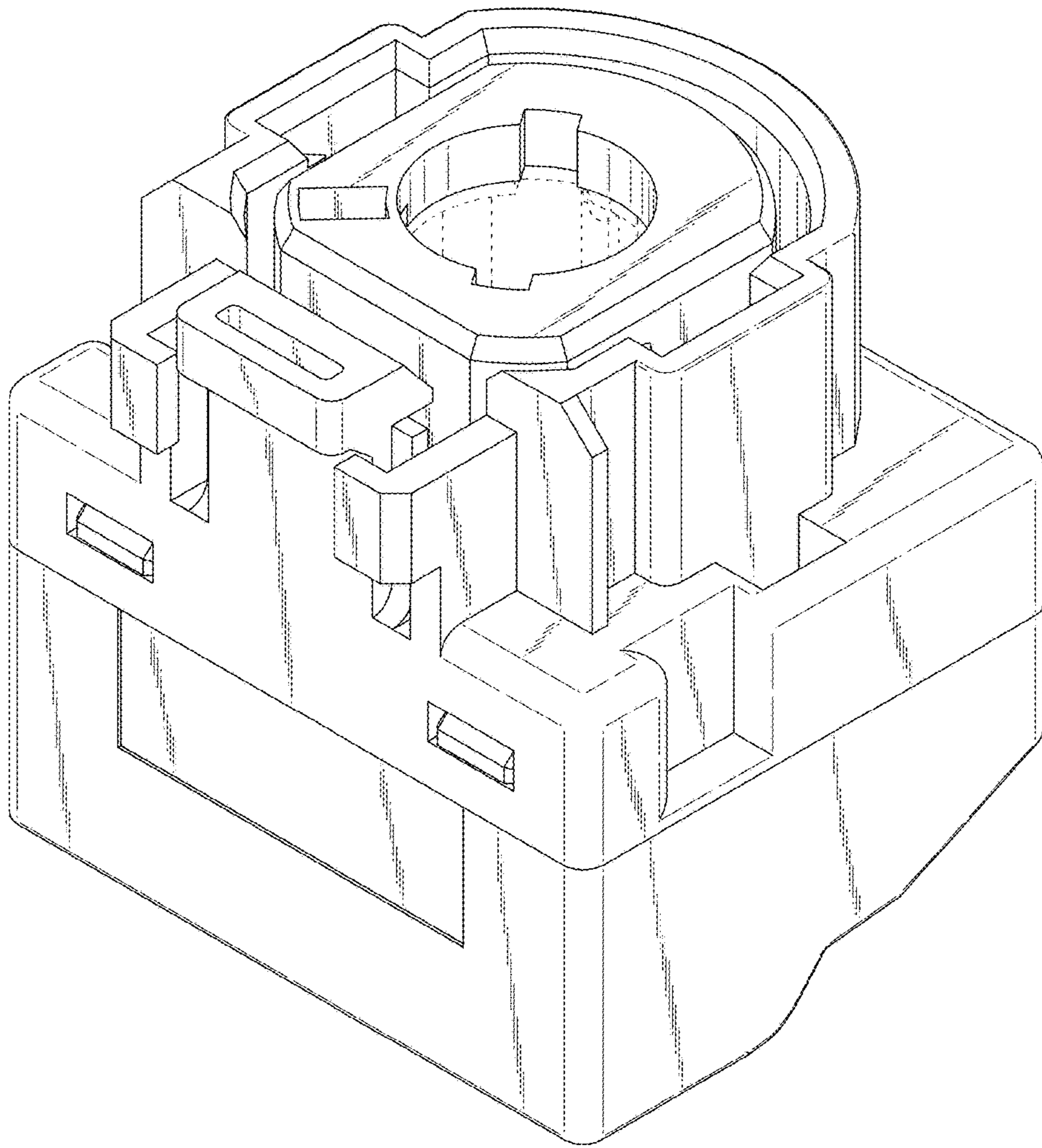


Fig. 2

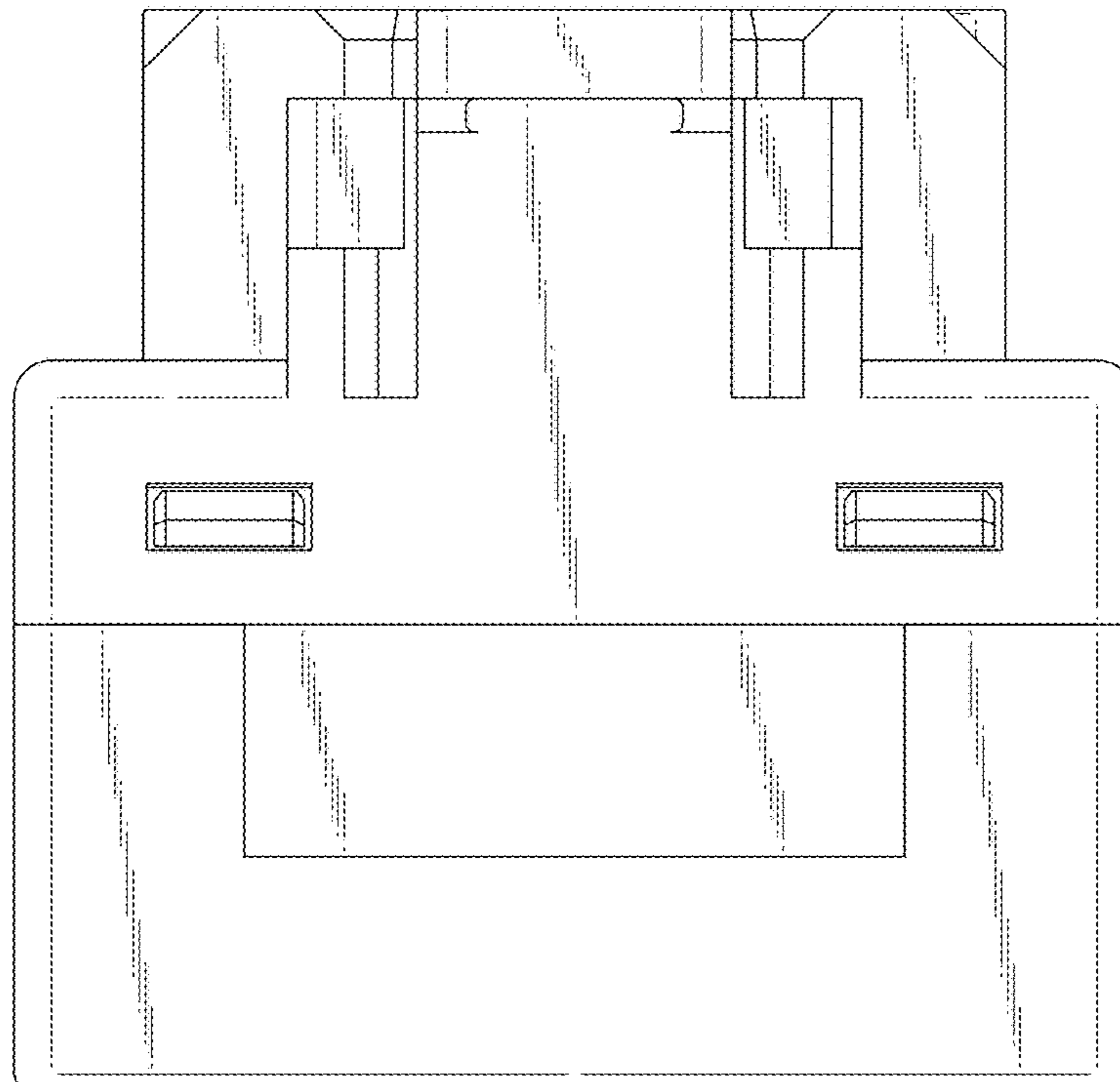


Fig. 3

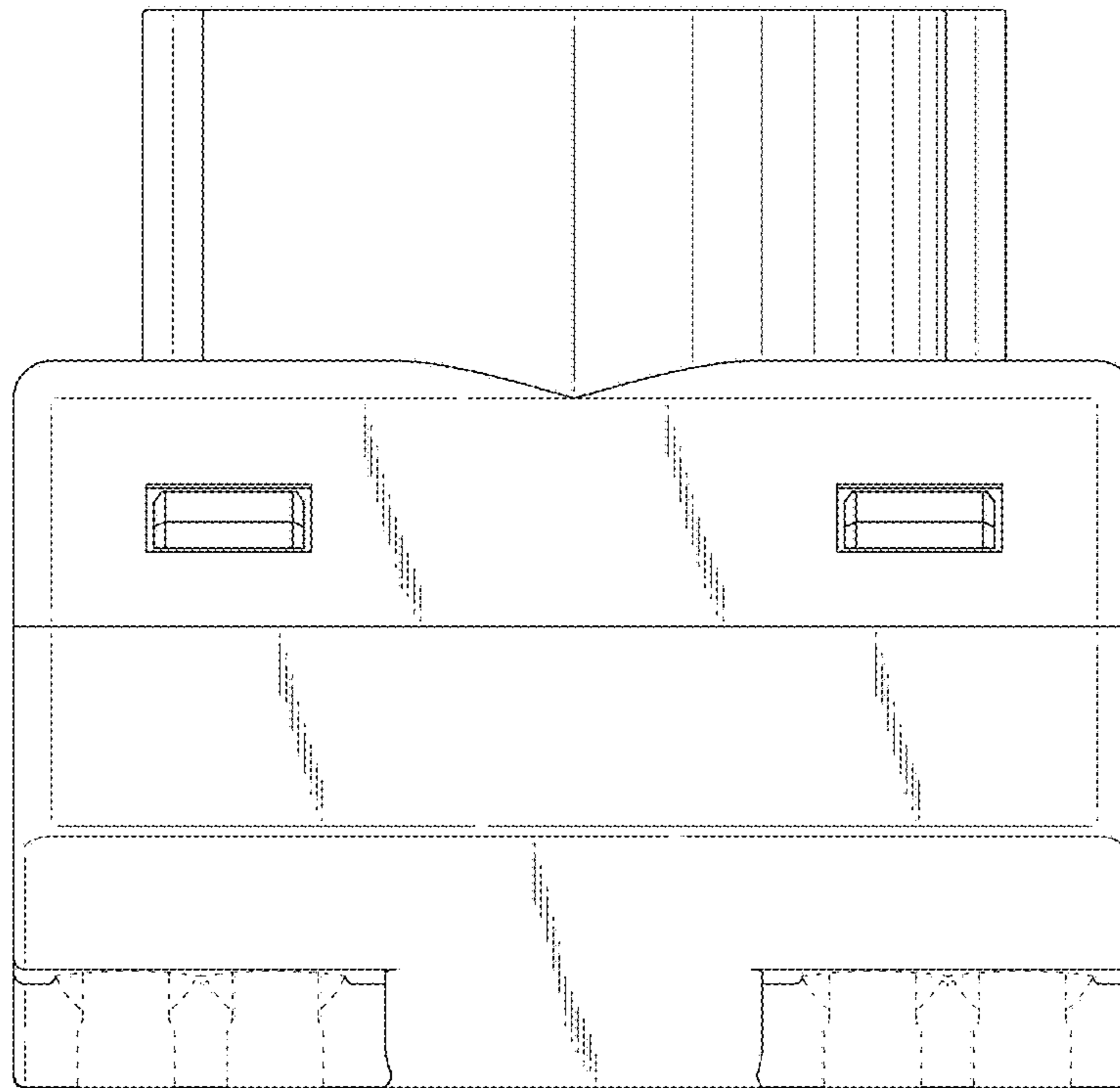


Fig. 4

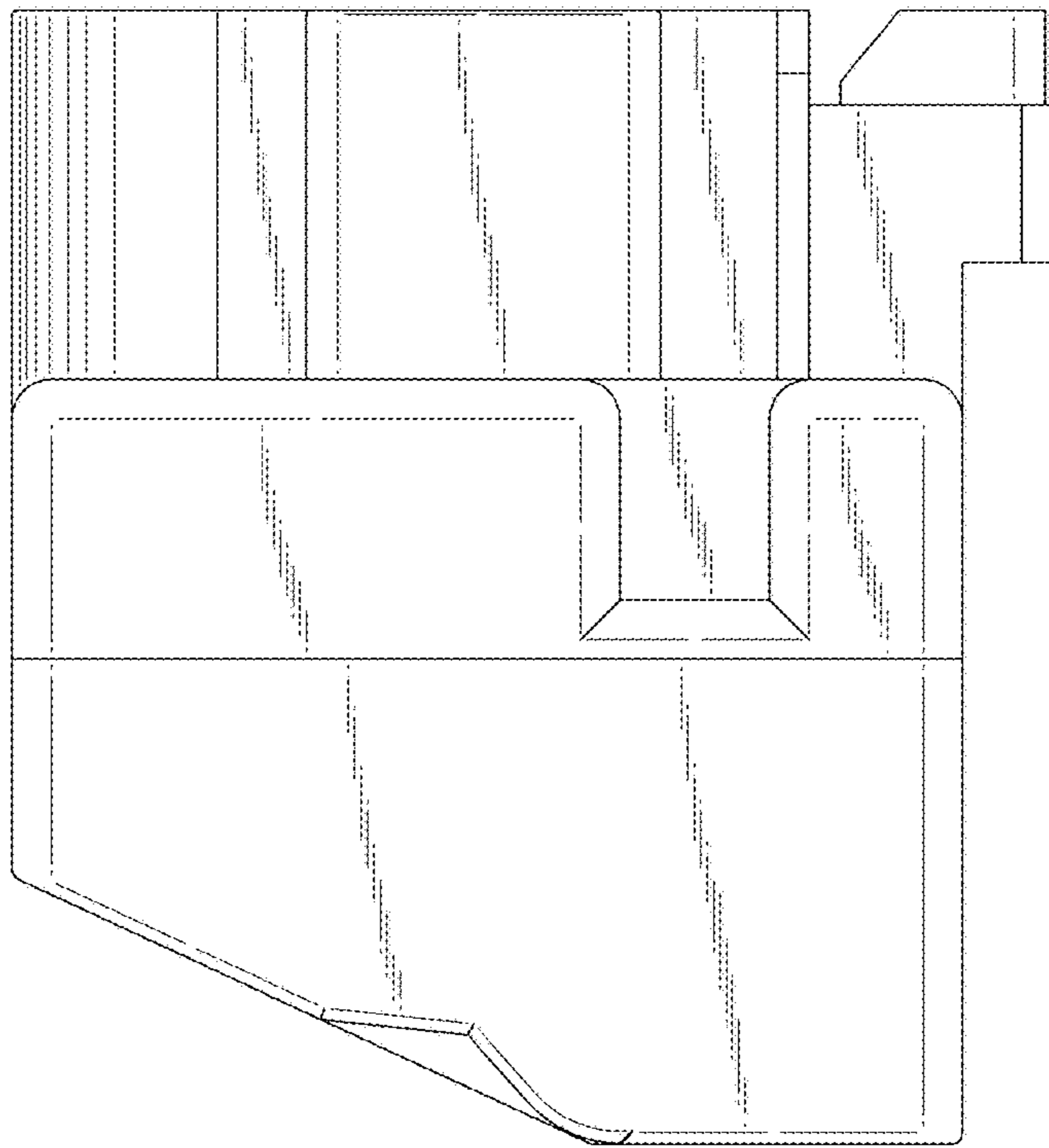


Fig. 5

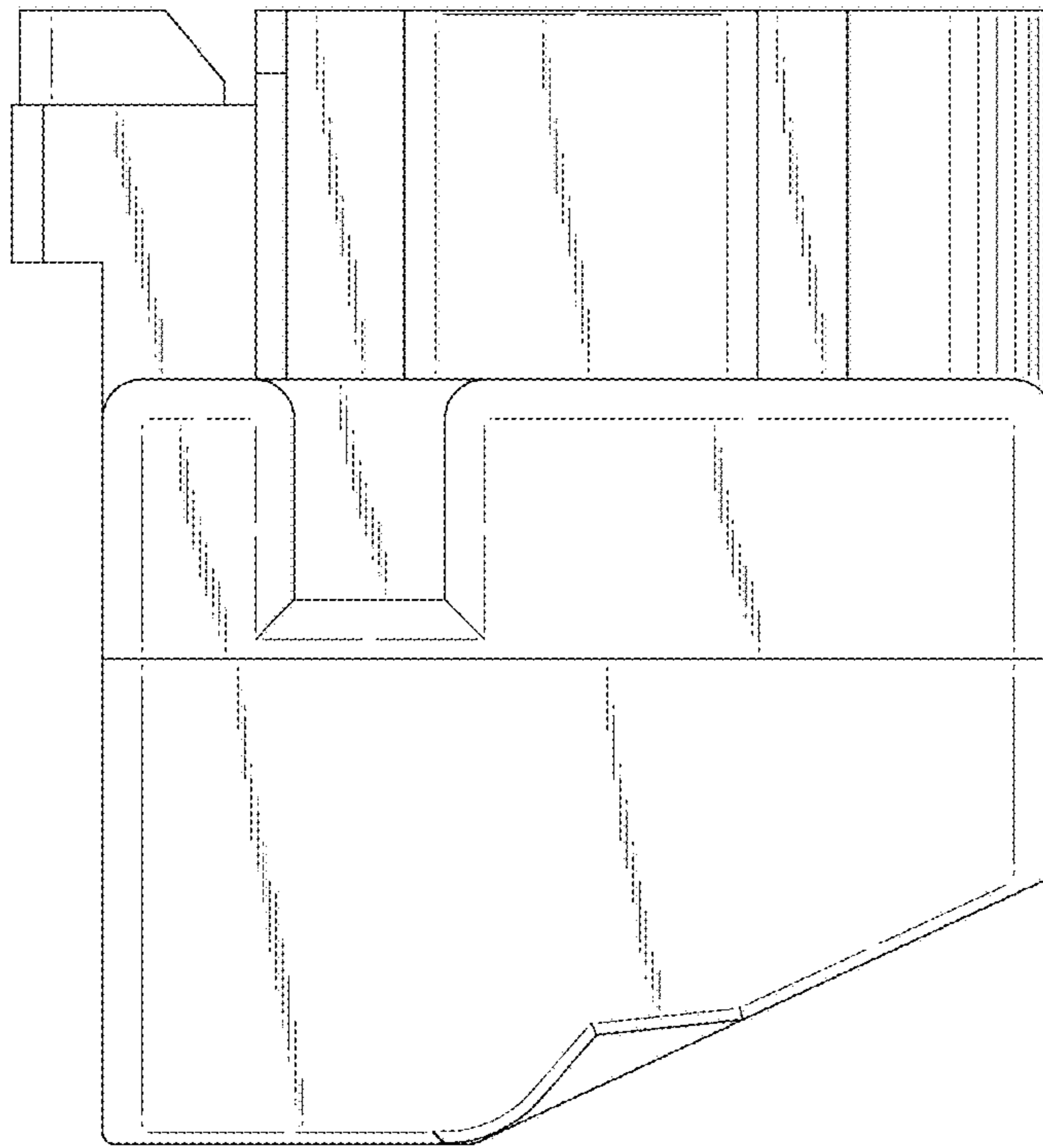


Fig. 6

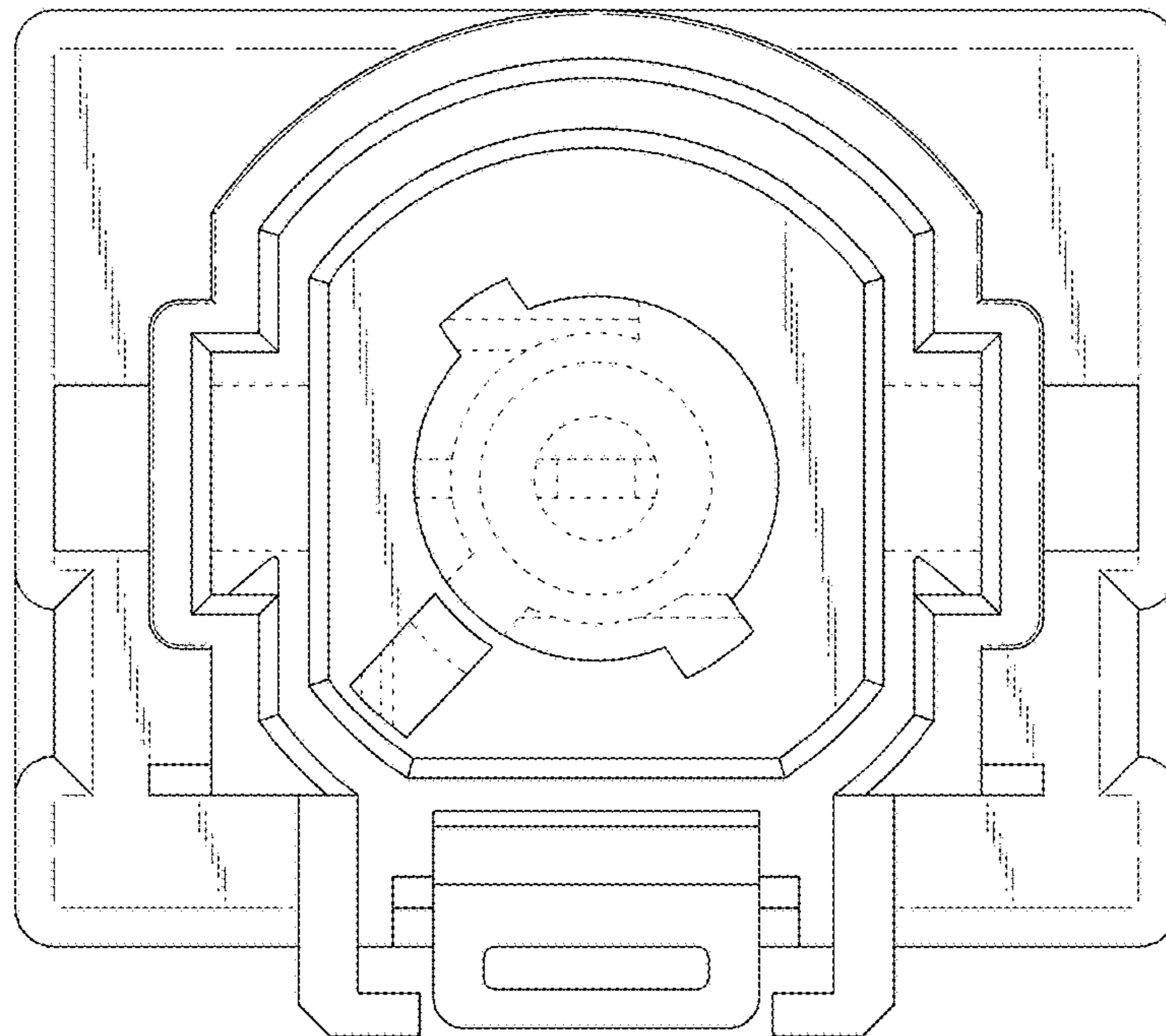


Fig. 7

