



US00D841589S

(12) **United States Design Patent** (10) **Patent No.:** **US D841,589 S**  
**Böhmer** (45) **Date of Patent:** **\*\* Feb. 26, 2019**

(54) **HOUSINGS FOR ELECTRIC CONDUCTORS**

(71) Applicant: **GEDIA GEBRÜDER DINGERKUS GMBH**, Attendorn (DE)

(72) Inventor: **Andreas Böhmer**, Lennestadt (DE)

(73) Assignee: **GEDIA GEBRUEDER DINGERKUS GMBH**, Attendorn (DE)

(\*\*) Term: **15 Years**

(21) Appl. No.: **35/501,957**

(22) Filed: **Aug. 3, 2016**

(80) **Hague Agreement Data**

Int. Filing Date: **Aug. 3, 2016**

Int. Reg. No.: **DM/093403**

Int. Reg. Date: **Aug. 3, 2016**

Int. Reg. Pub. Date: **Nov. 25, 2016**

(51) **LOC (11) Cl.** ..... **13-03**

(52) **U.S. Cl.**  
USPC ..... **D13/133**

(58) **Field of Classification Search**  
USPC ..... D13/133, 154, 156, 147, 119, 118, 155,  
D13/184; D14/253, 385; D8/353  
CPC ..... H02G 3/081  
See application file for complete search history.

(56) **References Cited**

U.S. PATENT DOCUMENTS

D721,656 S *	1/2015	Endo	.....	D13/147
D737,214 S *	8/2015	Endo	.....	D13/147
D746,236 S *	12/2015	Horchler	.....	D13/154
D750,027 S *	2/2016	Scholeno	.....	D13/147

D750,031 S *	2/2016	Lord	.....	D13/147
D751,507 S *	3/2016	Horchler	.....	D13/147
D751,992 S *	3/2016	Buck	.....	D13/154
D761,209 S *	7/2016	Suenaga	.....	D13/156
D763,192 S *	8/2016	Tyler	.....	D13/119
D766,832 S *	9/2016	Harper, Jr.	.....	D13/147
D769,197 S *	10/2016	Chen	.....	D13/154
D771,574 S *	11/2016	Hultquist	.....	D13/156
D772,168 S *	11/2016	Harper, Jr.	.....	D13/147
D772,815 S *	11/2016	Chen	.....	D13/118
D781,240 S *	3/2017	Karlsson	.....	D13/155
D782,422 S *	3/2017	Karlsson	.....	D13/155
D786,796 S *	5/2017	Frye	.....	D13/133
D786,877 S *	5/2017	Christie, II	.....	D14/253
D791,705 S *	7/2017	Li	.....	D13/147
D795,211 S *	8/2017	Franck	.....	D13/184
D797,740 S *	9/2017	Nguyen	.....	D14/385
9,755,411 B2 *	9/2017	Caporale	.....	H02G 3/081
D799,934 S *	10/2017	Poulheim	.....	D8/353
D800,665 S *	10/2017	Druscovich	.....	D13/147
D801,277 S *	10/2017	Druscovich	.....	D13/147
D801,285 S *	10/2017	Timmins	.....	D13/156

\* cited by examiner

*Primary Examiner* — Rhea Shields

(74) *Attorney, Agent, or Firm* — Andrew Wilford

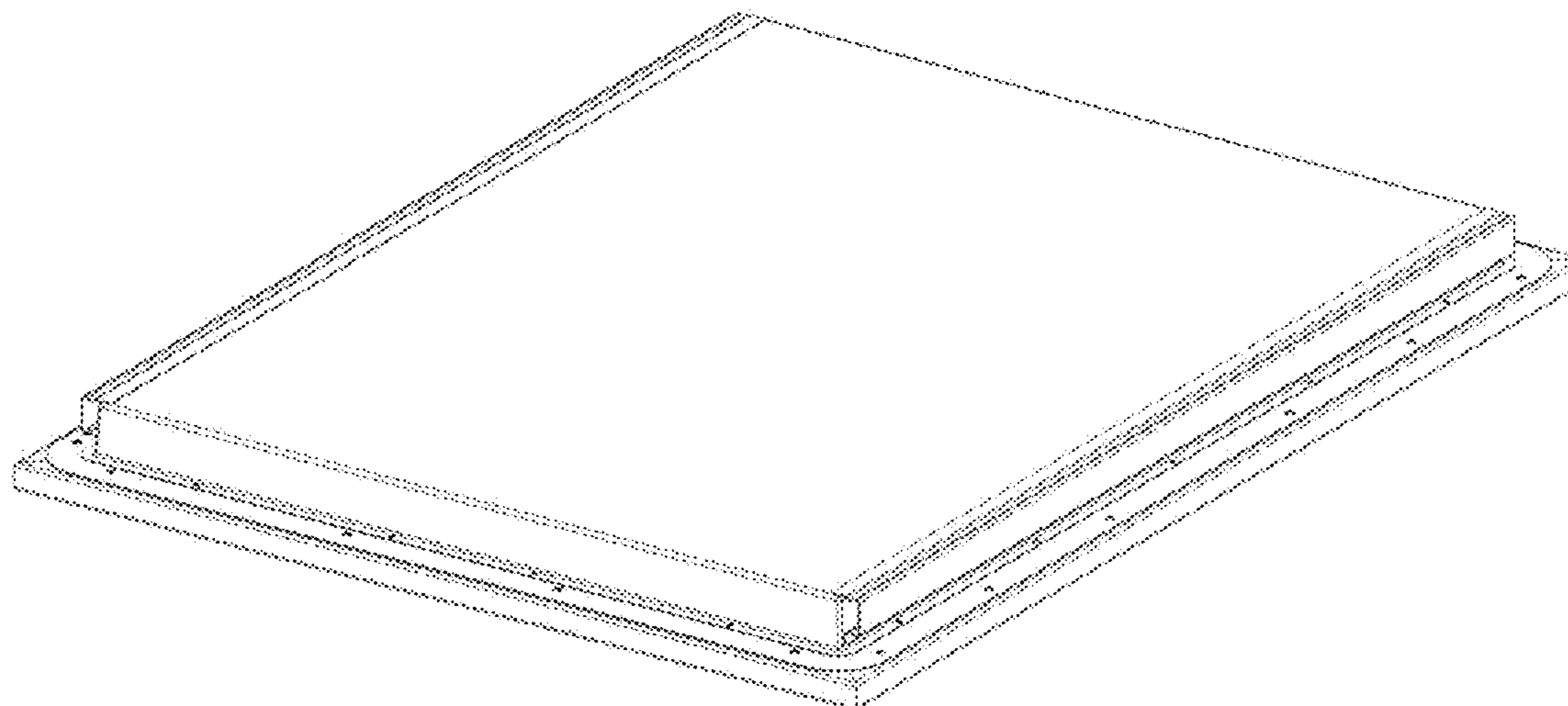
(57) **CLAIM**

The ornamental design for a housing for electrical conductors, as shown and described.

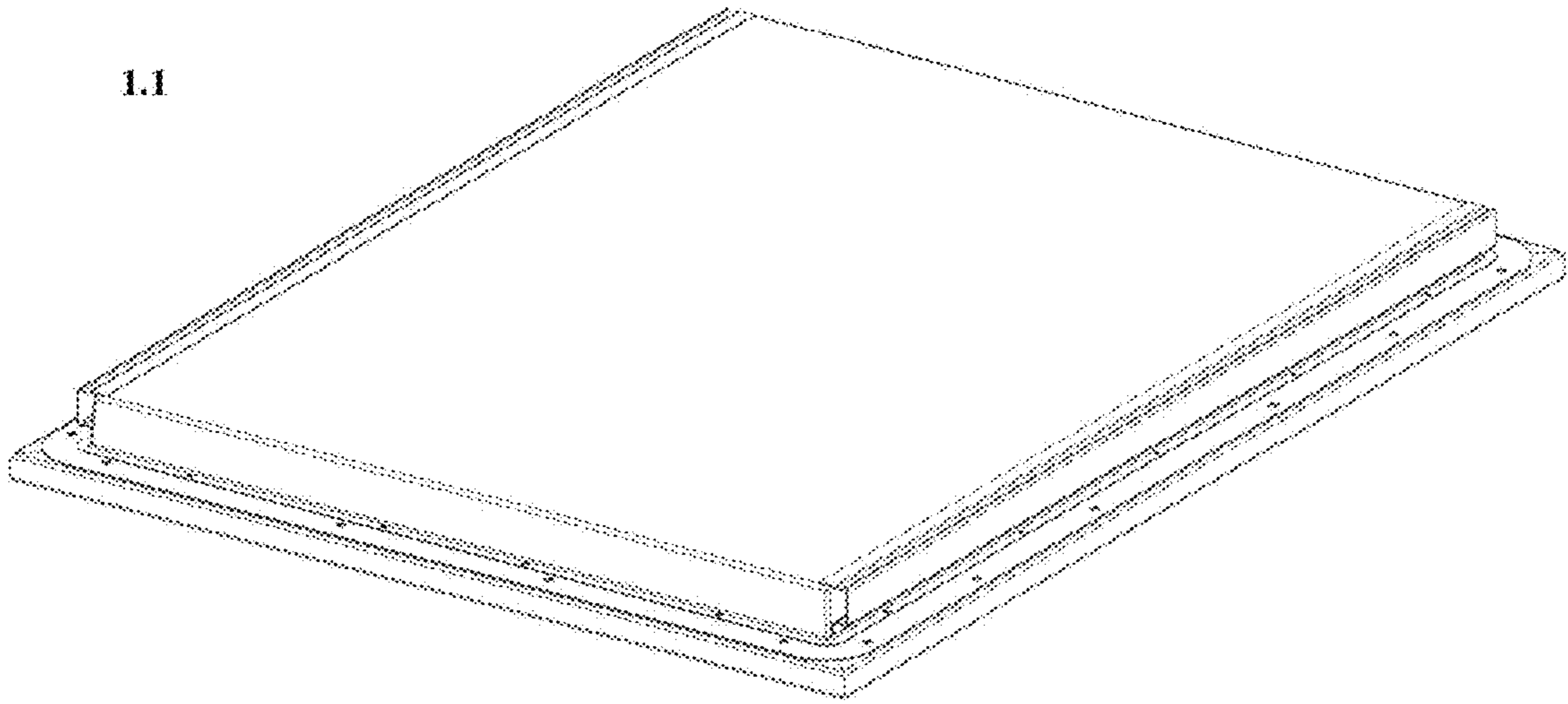
**DESCRIPTION**

- 1.1 is a perspective view from above;
- 1.2 is a top view;
- 1.3 is a side and view;
- 1.4 is a bottom view of a part of the structure shown in 1.1-1.3; and
- 1.5 is a side view of the part shown in 1.4.

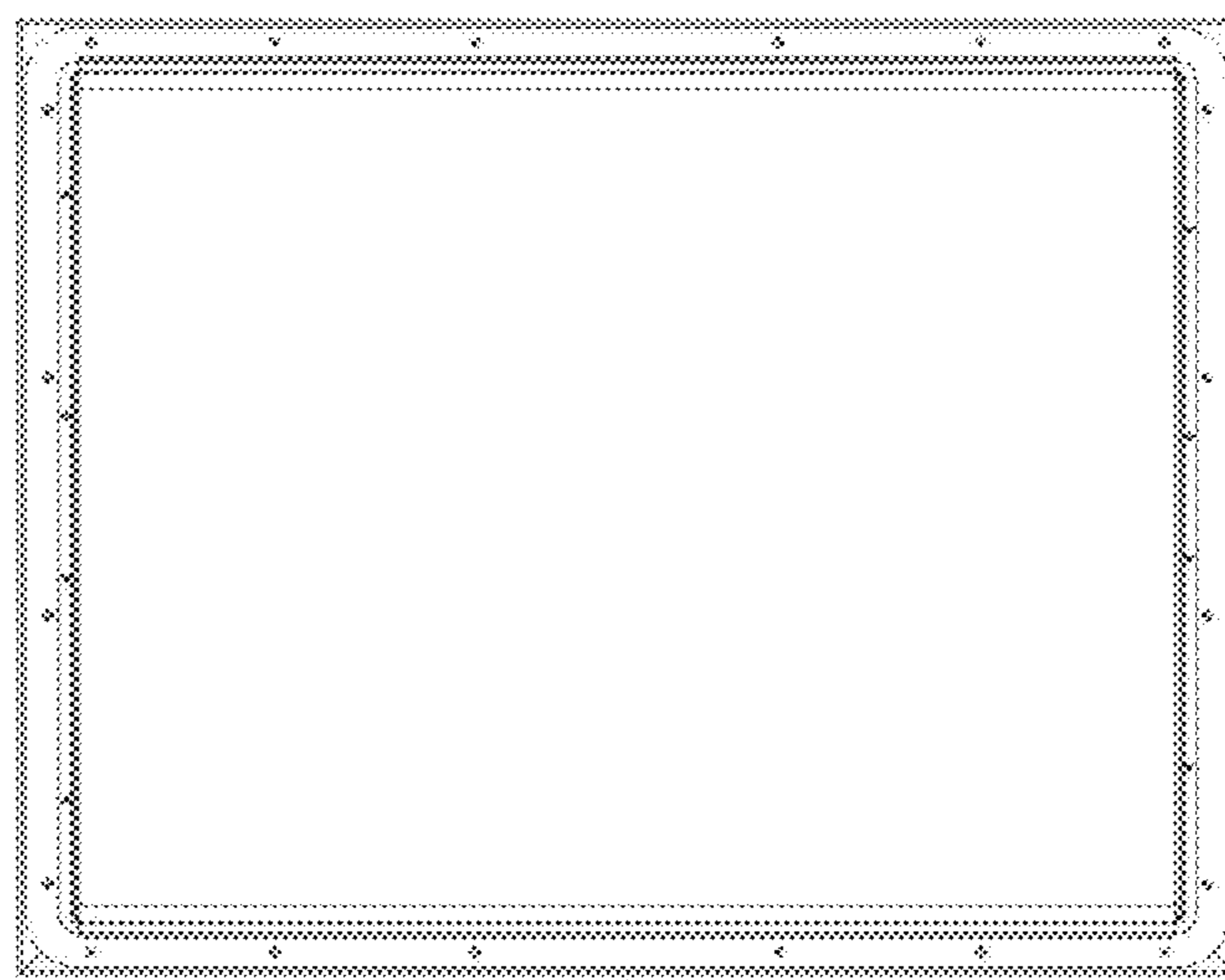
**1 Claim, 2 Drawing Sheets**



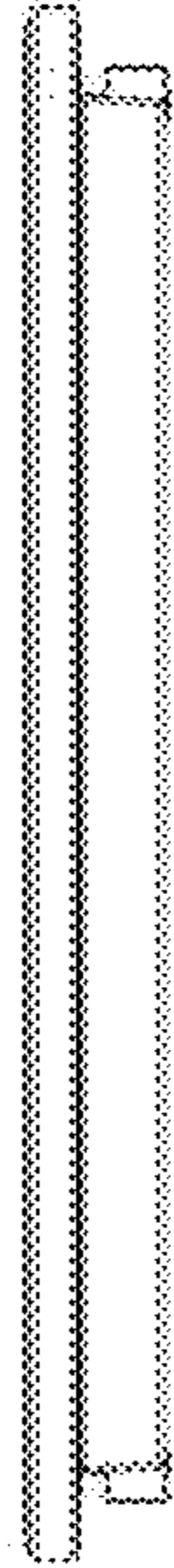
1.1



1.2



1.3



1.5



1.4

