



US00D841588S

(12) **United States Design Patent**
Endo et al.

(10) **Patent No.:** **US D841,588 S**
(45) **Date of Patent:** **** Feb. 26, 2019**

(54) **ELECTRICAL CONNECTOR TERMINAL**

(71) Applicant: **Dai-ichi Seiko Co., Ltd.**, Kyoto-shi,
Kyoto (JP)

(72) Inventors: **Takayoshi Endo**, Shizuoka (JP);
Shunya Oohashi, Shizuoka (JP)

(73) Assignee: **Dai-Ichi Seiko Co., Ltd.**, Kyoto (JP)

(**) Term: **15 Years**

(21) Appl. No.: **29/614,567**

(22) Filed: **Aug. 21, 2017**

(30) **Foreign Application Priority Data**

Jun. 13, 2017 (JP) 2017-012622

(51) **LOC (11) Cl.** **13-03**

(52) **U.S. Cl.**
USPC **D13/133**

(58) **Field of Classification Search**

USPC D13/101, 103, 110, 112, 118, 120, 122,
D13/123, 129-133, 145-147, 149, 151,
D13/153-155, 173, 184, 199
CPC ... H01R 4/24; H01R 4/48; H01R 4/66; H01R
9/00; H01R 9/24; H01R 11/00; H01R
11/22; H01R 12/00; H01R 13/00; H01R
13/02; H01R 13/04; H01R 13/11; H01R
13/40; H01R 13/42; H01R 13/115; H01R
13/432; H01R 13/434; H01R 13/514;
H01R 13/627; H01R 24/00
See application file for complete search history.

(56) **References Cited**

U.S. PATENT DOCUMENTS

5,609,505 A * 3/1997 Endo H01R 13/03
439/886
D481,996 S * 11/2003 Kihira D13/133
D568,245 S * 5/2008 Kudo D13/133

D665,360 S * 8/2012 Gieski D13/154
D781,239 S * 3/2017 Ikeda D13/154
D813,817 S * 3/2018 Kataoka D13/133
2008/0070446 A1* 3/2008 Lauermann H01R 4/185
439/626
2017/0062964 A1* 3/2017 Yang H01R 13/04

FOREIGN PATENT DOCUMENTS

JP 971764 1/1997
JP 971767 1/1997

* cited by examiner

Primary Examiner — Angela J Lee

Assistant Examiner — Shawn T Gingrich

(74) *Attorney, Agent, or Firm* — K&L Gates LLP; Louis
C. Cullman; Georgia N. Kefallinos

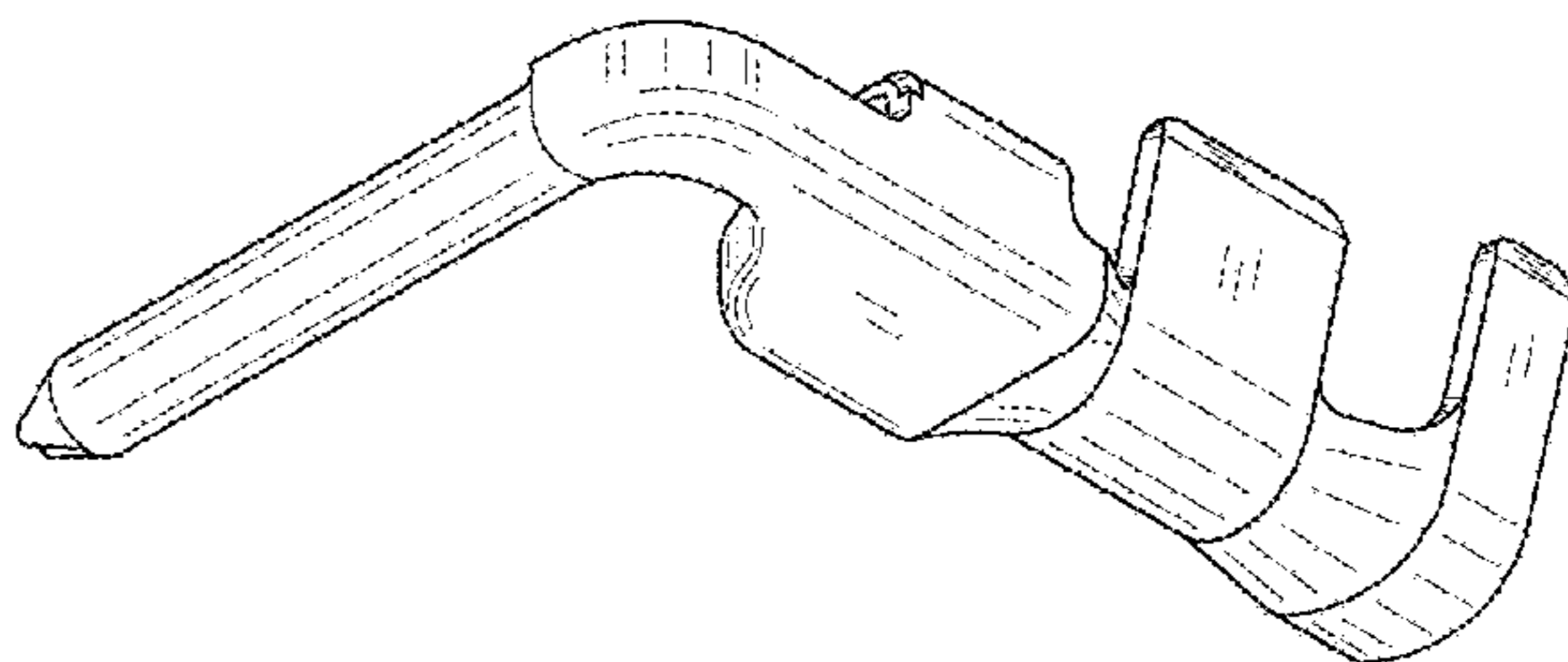
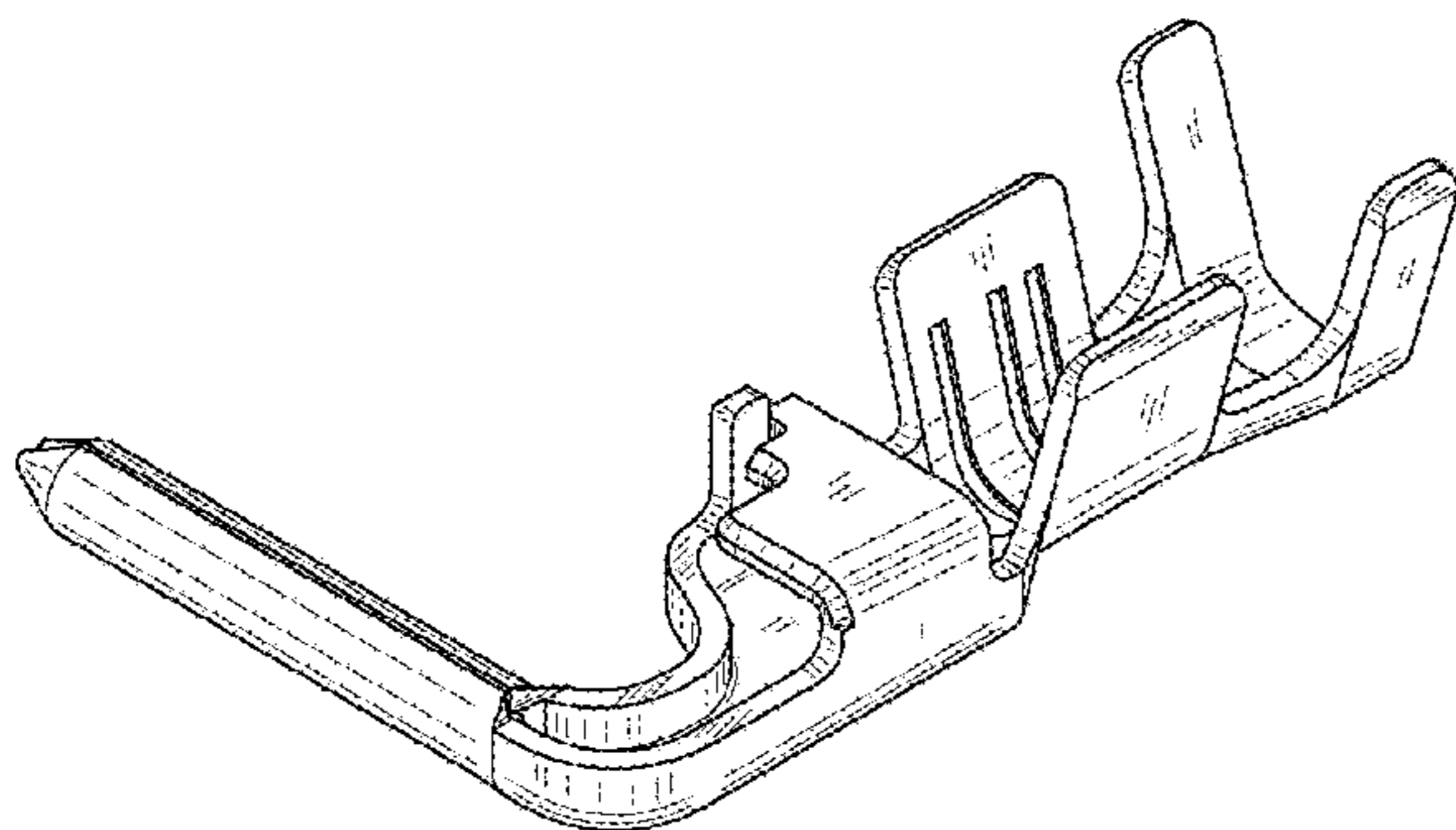
(57) **CLAIM**

The ornamental design for an electrical connector terminal,
as shown and described.

DESCRIPTION

FIG. 1 is a front view of an electrical connector terminal of
my design.
FIG. 2 is a back view of the electrical connector terminal of
FIG. 1.
FIG. 3 is a first side view of the electrical connector terminal
of FIG. 1.
FIG. 4 is a second side view of the electrical connector
terminal of FIG. 1.
FIG. 5 is a top view of the electrical connector terminal of
FIG. 1.
FIG. 6 is a bottom view of the electrical connector terminal
of FIG. 1.
FIG. 7 is a top perspective view of the electrical connector
terminal of FIG. 1; and,
FIG. 8 is a bottom perspective view of the electrical con-
nector terminal of FIG. 1.

1 Claim, 8 Drawing Sheets



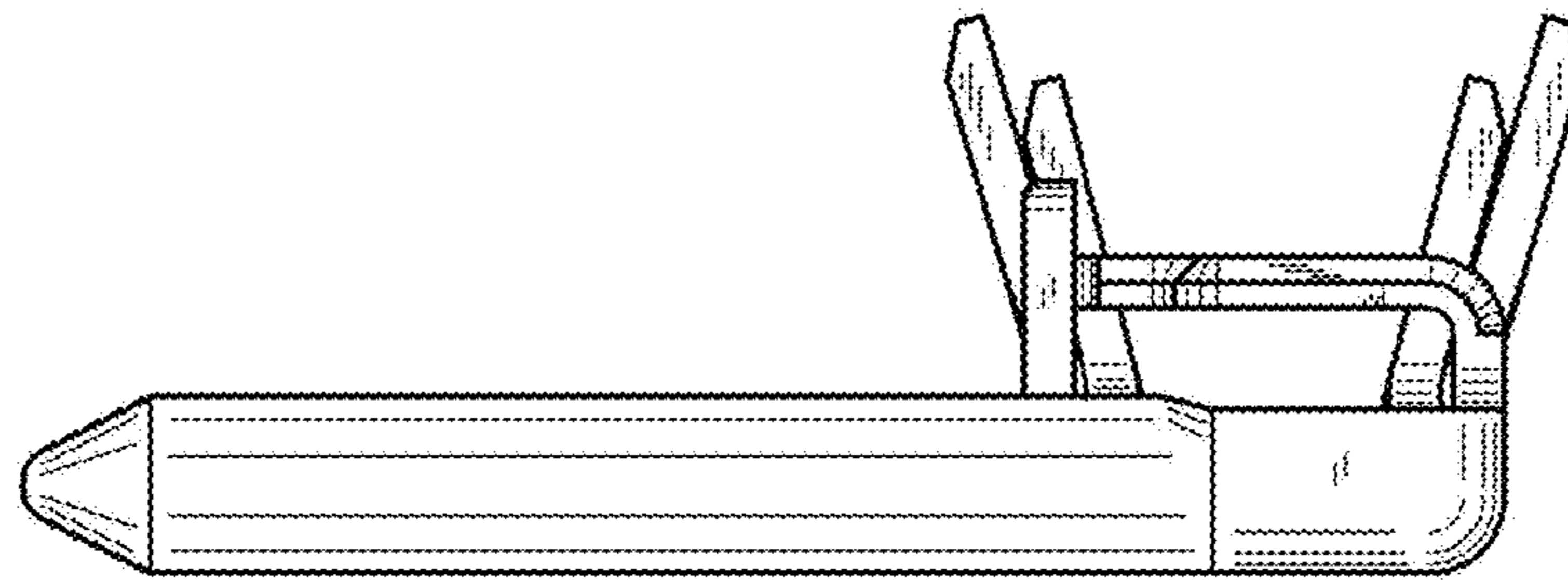


FIG. 1

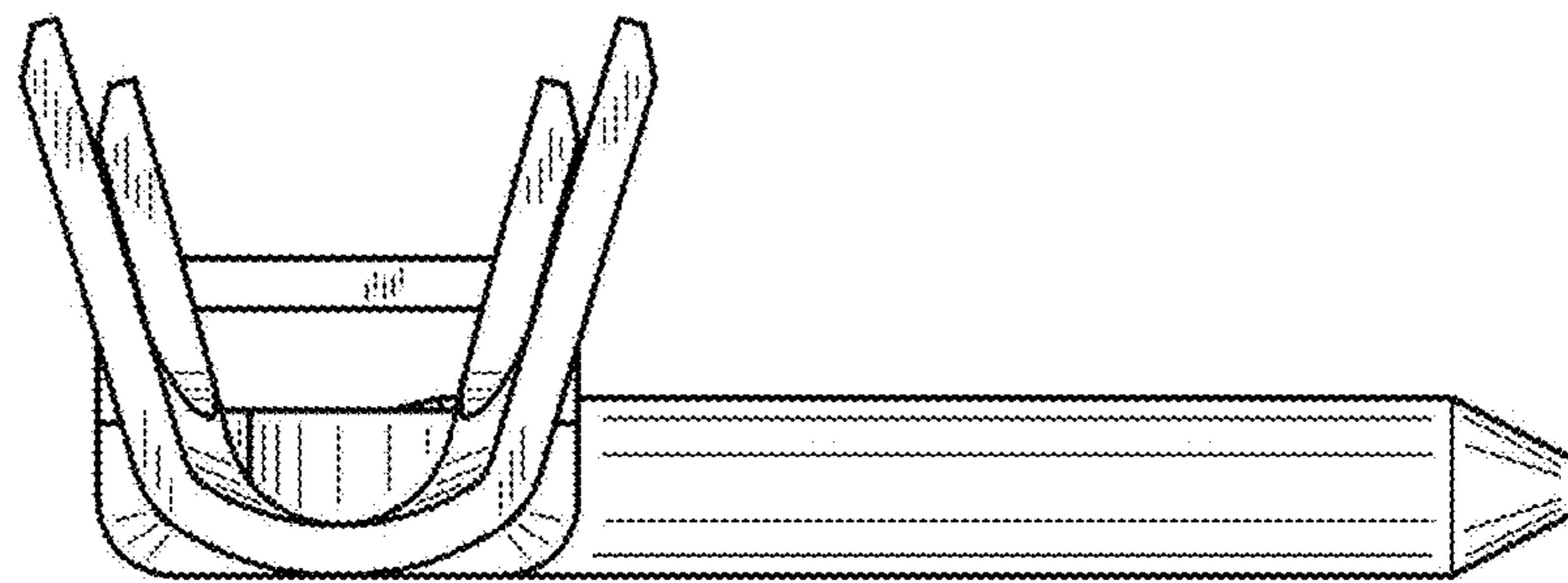


FIG. 2

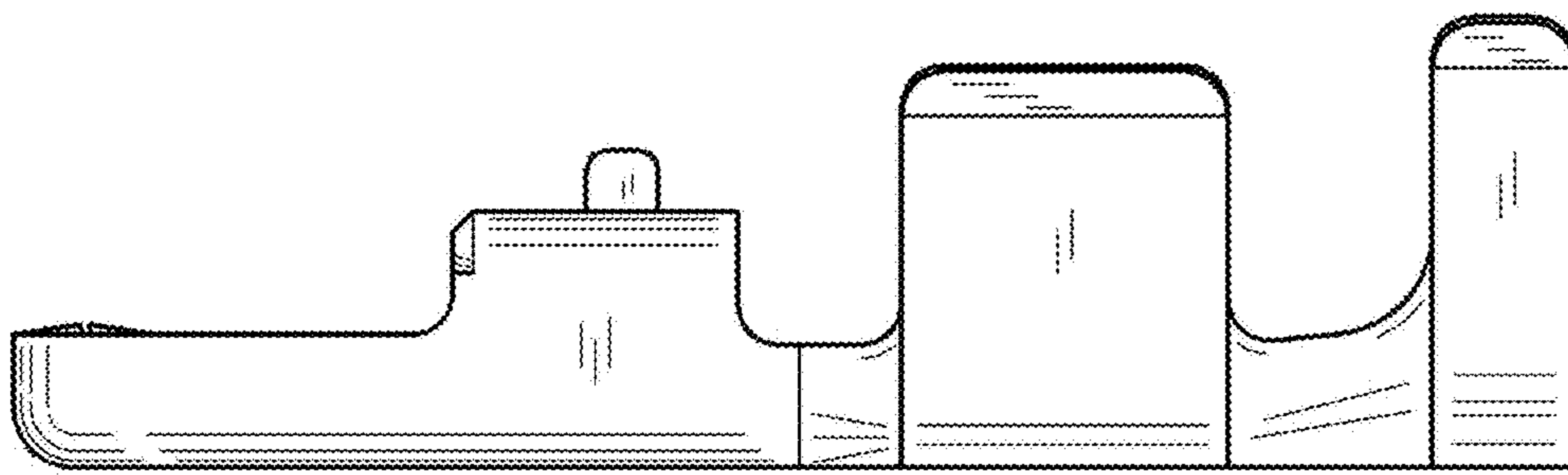


FIG. 3

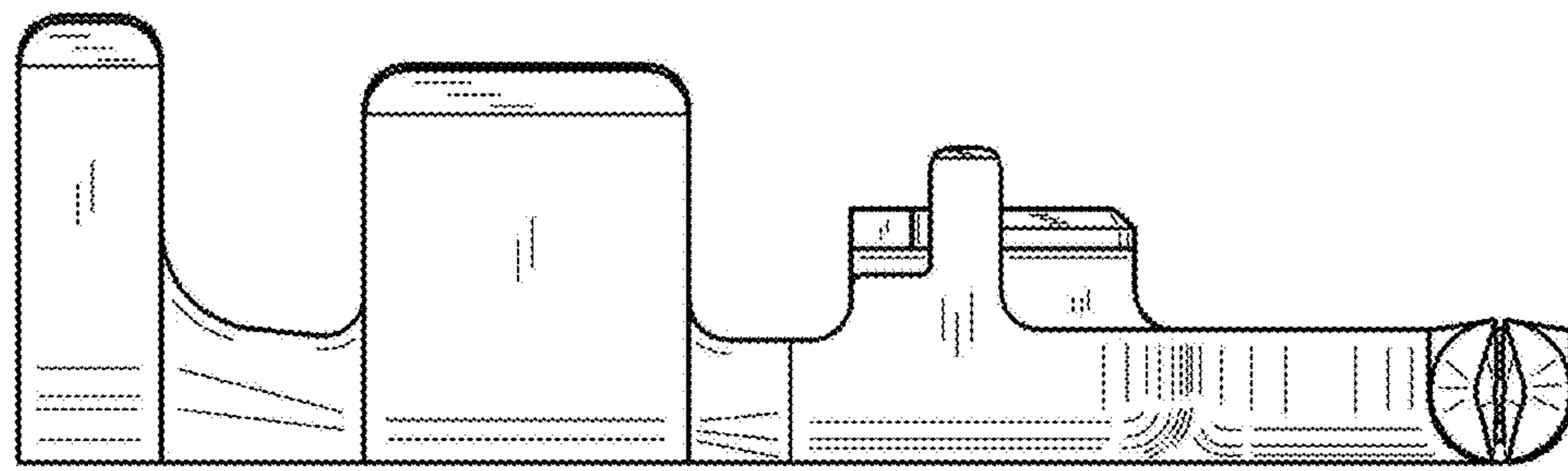


FIG. 4

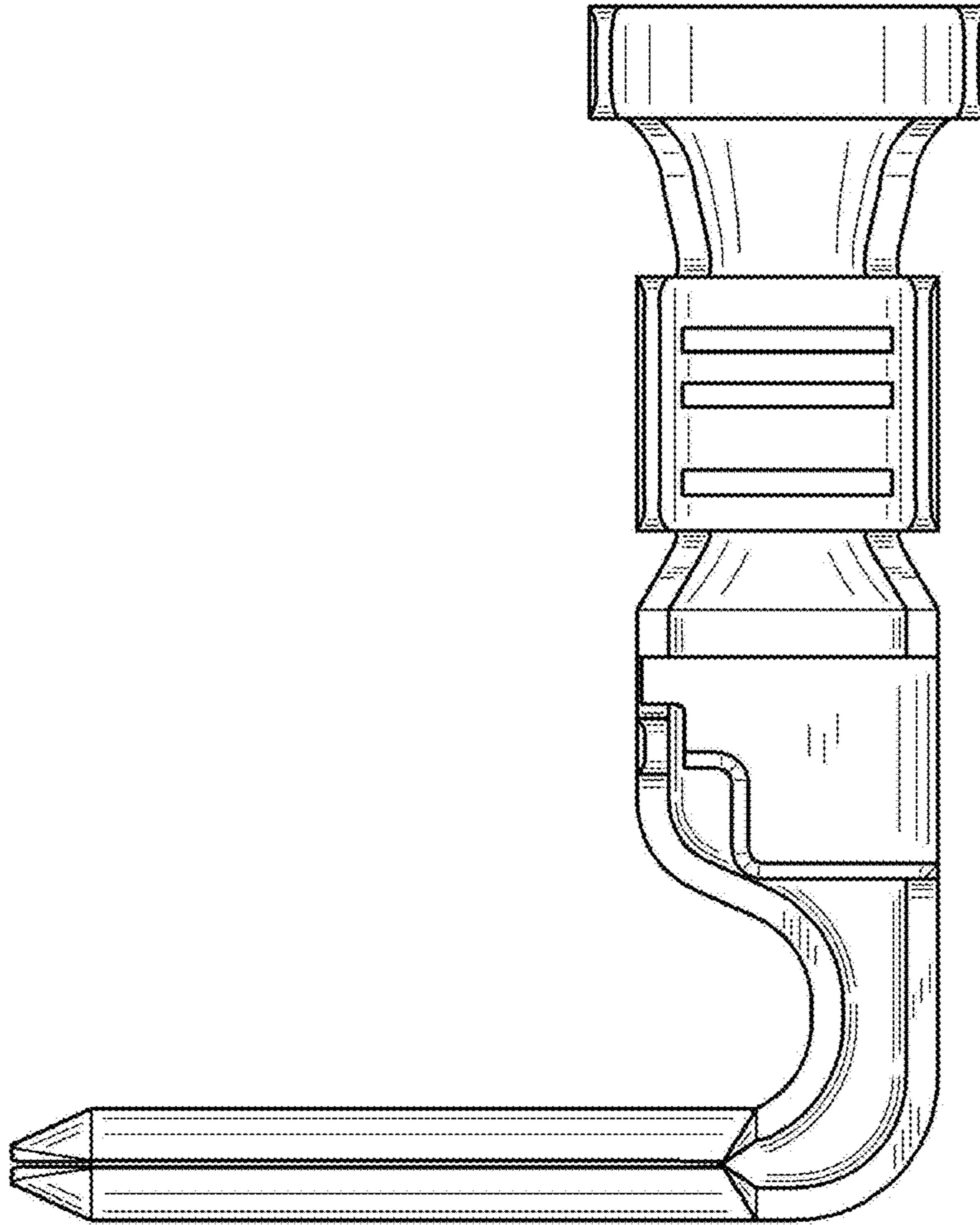


FIG. 5

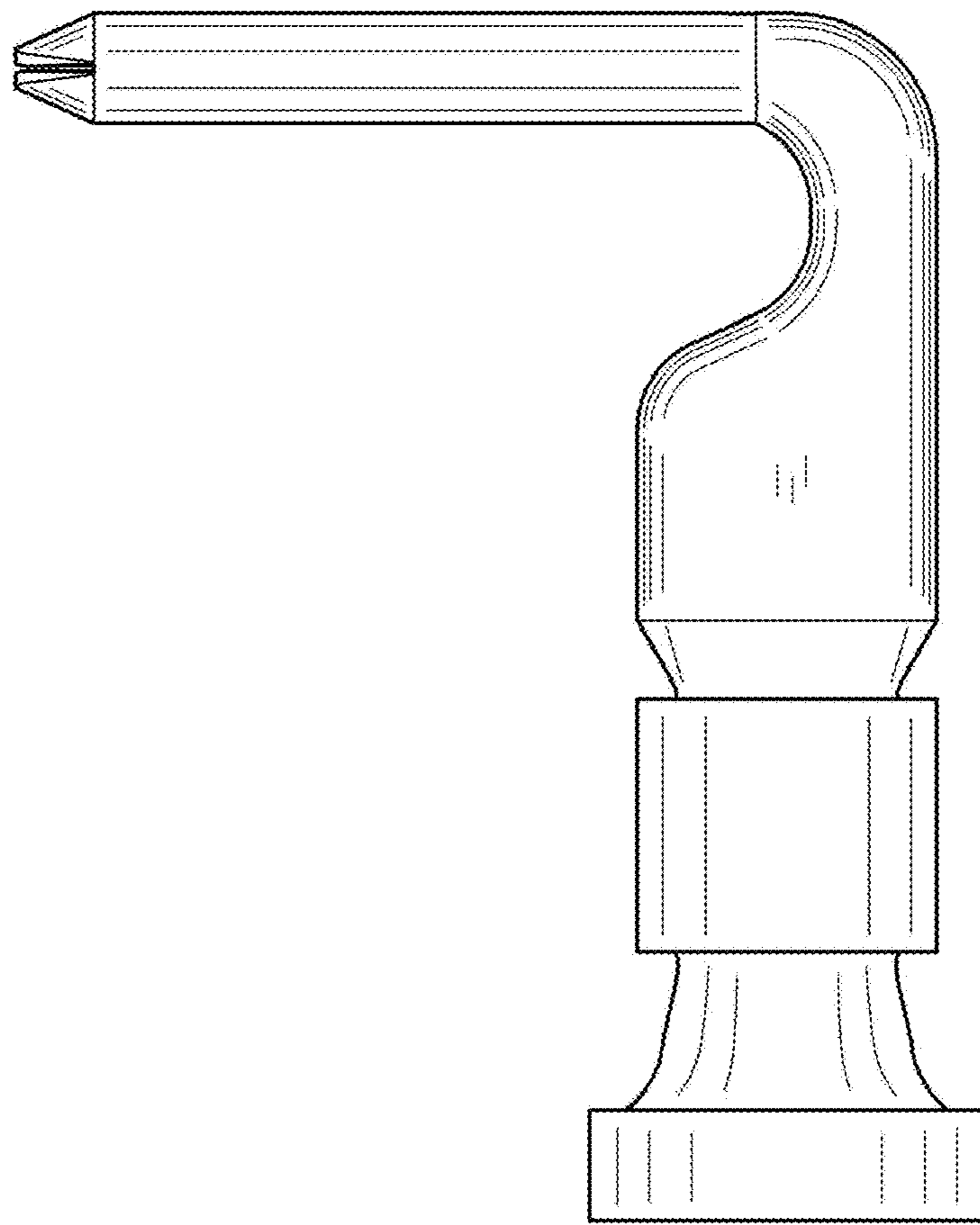


FIG. 6

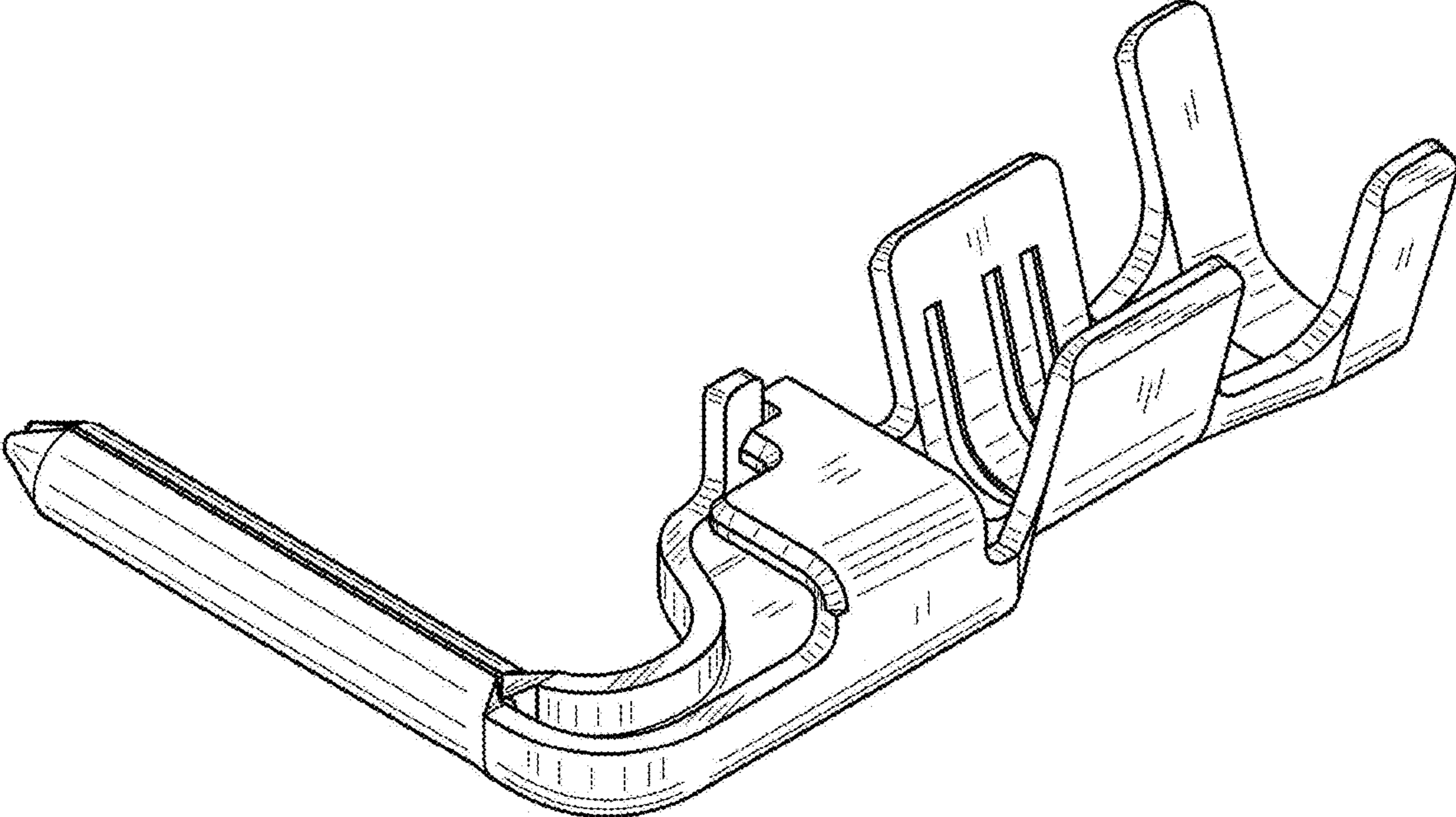


FIG 7.

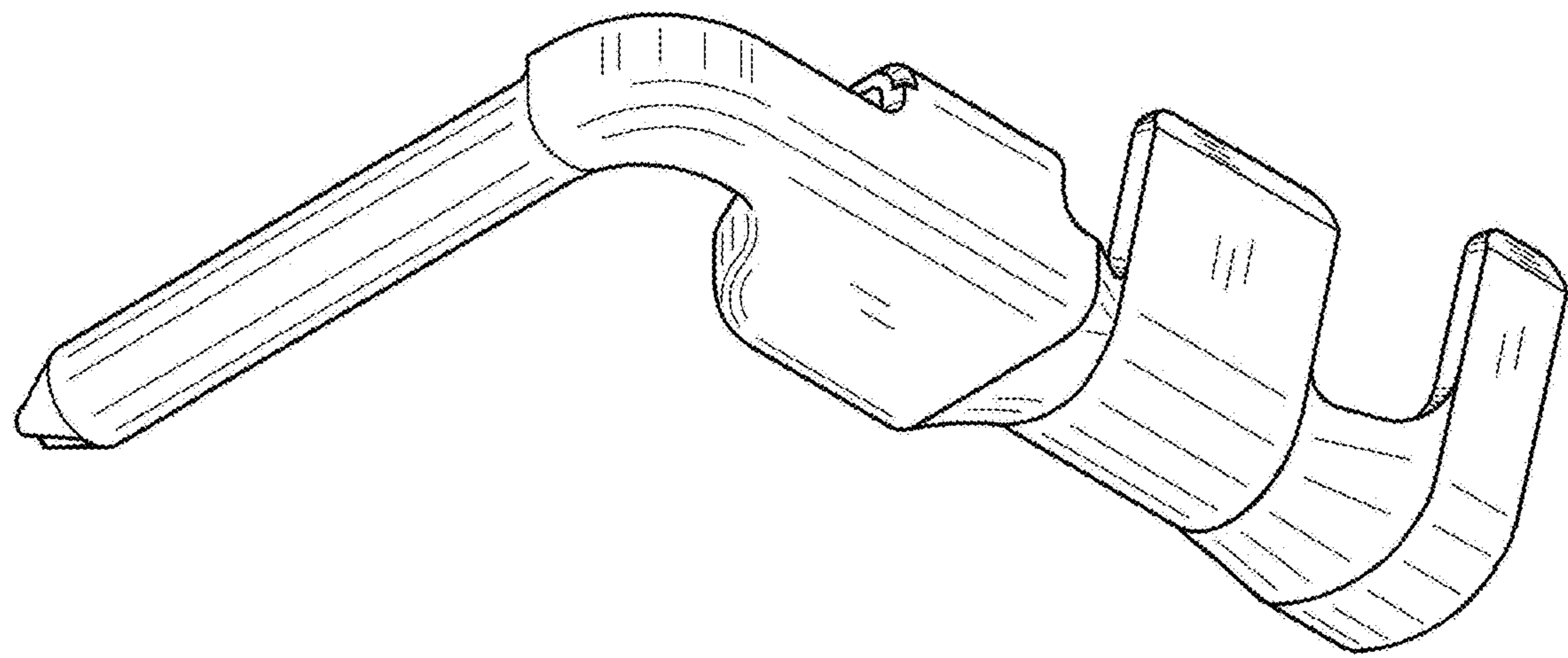


FIG. 8