



US00D841586S

(12) **United States Design Patent** (10) **Patent No.:** **US D841,586 S**
Takeuchi et al. (45) **Date of Patent:** **** Feb. 26, 2019**

(54) **STATOR ELECTRODE FOR ROTATION ANGLE DETECTOR**

(56) **References Cited**

(71) Applicant: **Mitsubishi Heavy Industries Machine Tool Co., Ltd.**, Ritto-shi, Shiga (JP)

U.S. PATENT DOCUMENTS
D287,716 S * 1/1987 Iverson D13/122
6,661,146 B2 * 12/2003 Oohashi H02K 3/28
310/179
D565,508 S * 4/2008 Ogawa D13/117
D640,198 S * 6/2011 Wu D13/122
D696,638 S * 12/2013 Kim D13/183

(72) Inventors: **Katsuyoshi Takeuchi**, Ritto (JP);
Kazunari Izawa, Ritto (JP); **Koh Ishii**,
Ritto (JP)

(Continued)

(73) Assignee: **MITSUBISHI HEAVY INDUSTRIES MACHINES TOOL CO., LTD.**, Shiga (JP)

Primary Examiner — Derrick E Holland
(74) *Attorney, Agent, or Firm* — Birch, Stewart, Kolasch & Birch, LLP

(**) Term: **15 Years**

(57) **CLAIM**

The ornamental design for a stator electrode for rotation angle detector, as shown and described.

(21) Appl. No.: **29/557,902**

DESCRIPTION

(22) Filed: **Mar. 14, 2016**

(30) **Foreign Application Priority Data**

Sep. 16, 2015 (JP) 2015-020536

(51) **LOC (11) Cl.** **13-03**

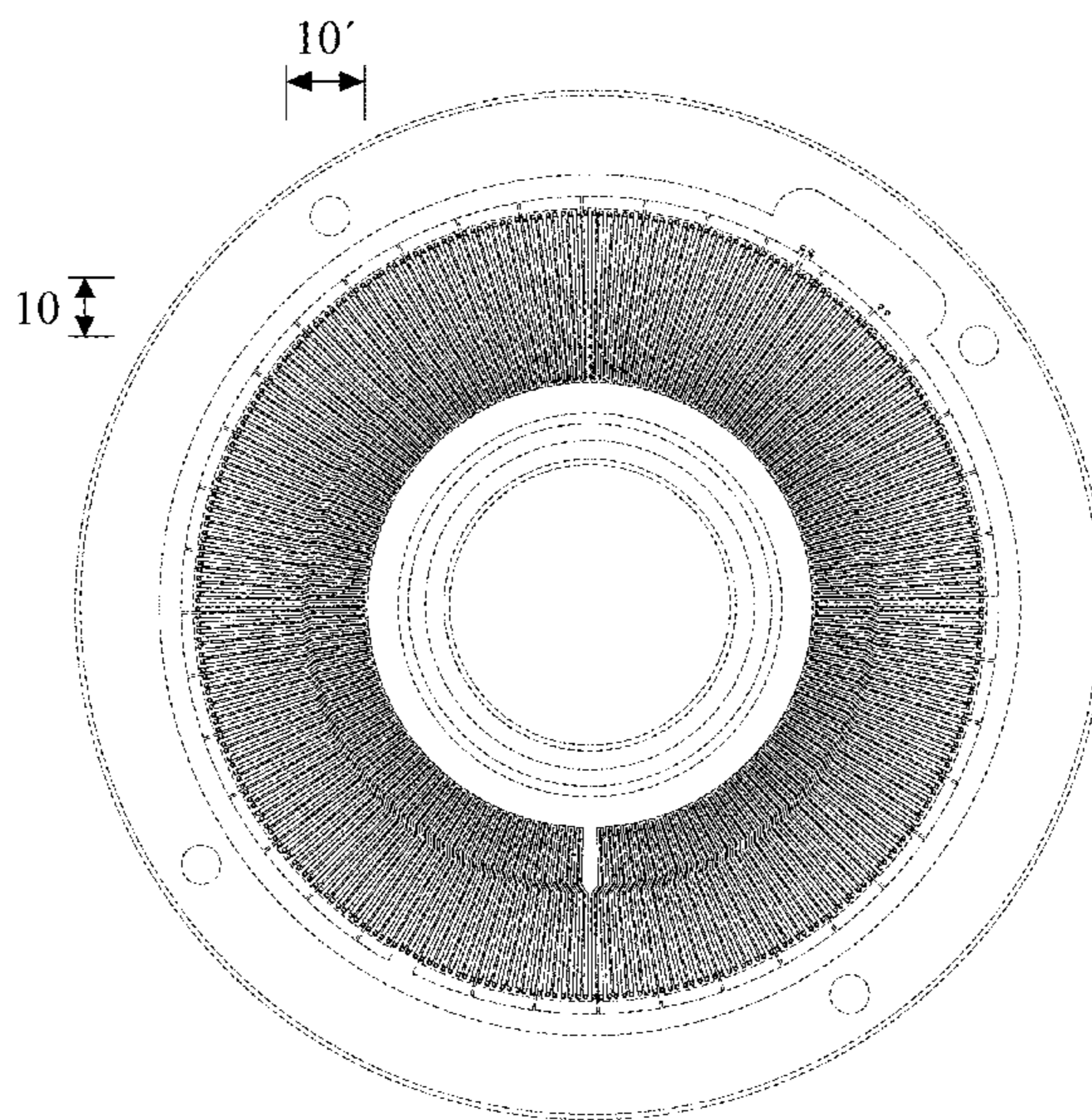
(52) **U.S. Cl.**
USPC **D13/121; D13/117**

(58) **Field of Classification Search**
USPC D13/113, 117, 122, 118, 182, 183, 199,
D13/121; 242/160.1, 160.4, 360;
335/13, 134, 136, 213, 282; 336/15, 69,
336/70, 139, 174, 198
CPC H01F 27/28; H01F 27/34; H01F 27/362;
H01F 38/14; H01F 17/0006; H01F 5/003;
H01F 29/10; H02J 3/12; H02J 5/005;
G06K 19/067; G06K 19/0672; H02K
3/28; H02N 1/004

See application file for complete search history.

FIG. 1 is a front elevation view of a stator electrode for rotation angle detector.
FIG. 2 is a rear elevation view thereof.
FIG. 3 is a right side elevation view thereof, the left side elevation view being identical to the right side elevation view.
FIG. 4 is a top plan view thereof, the bottom plan view being identical to the top plan view.
FIG. 5 is another front elevation view thereof.
FIG. 6 is an enlarged view of the portion 6-6' in FIG. 5.
FIG. 7 is an enlarged view of the portion 7-7' in FIG. 5.
FIG. 8 is an enlarged view of the portion 8-8' in FIG. 5.
FIG. 9 is an enlarged view of the portion 9-9' in FIG. 5; and, FIG. 10 is an enlarged view of the portion 10-10' in FIG. 1. The broken lines shown in the drawings illustrate portions of the stator electrode for rotation angle detector that form no part of the claimed design. The dot-dash lines show an unclaimed boundary which forms no part of the claimed design.

1 Claim, 10 Drawing Sheets



(56)

References Cited

U.S. PATENT DOCUMENTS

D709,029	S *	7/2014	Romanowski	D13/117
9,479,085	B1 *	10/2016	Ludois	H02N 1/004
D770,403	S *	11/2016	McCauley	D13/182
D773,411	S *	12/2016	McCauley	D13/182
2013/0069753	A1 *	3/2013	Kurs	H01F 5/003
					336/200
2014/0049118	A1 *	2/2014	Karalis	H01F 38/14
					307/104

* cited by examiner

FIG. 1

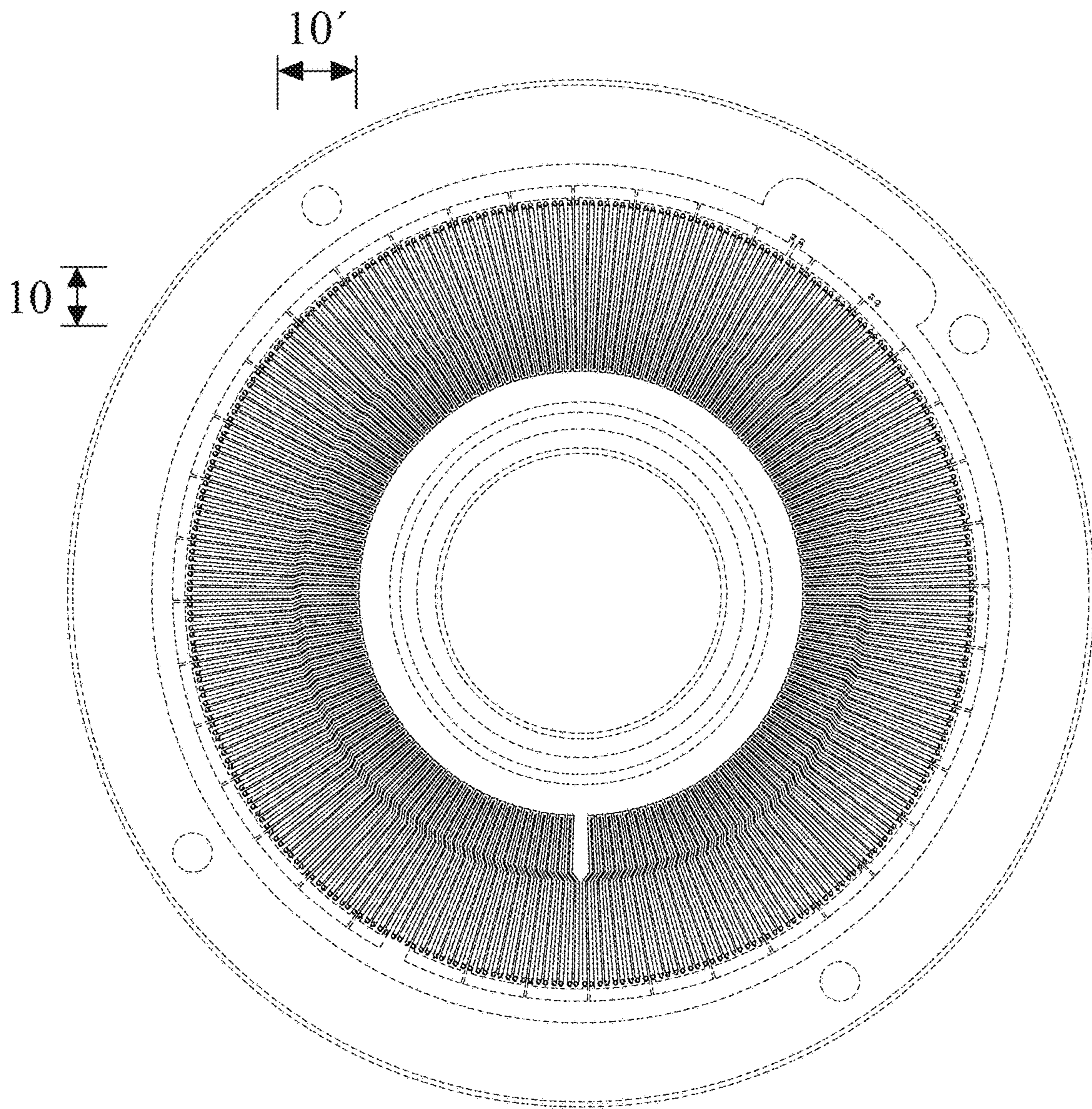


FIG. 2

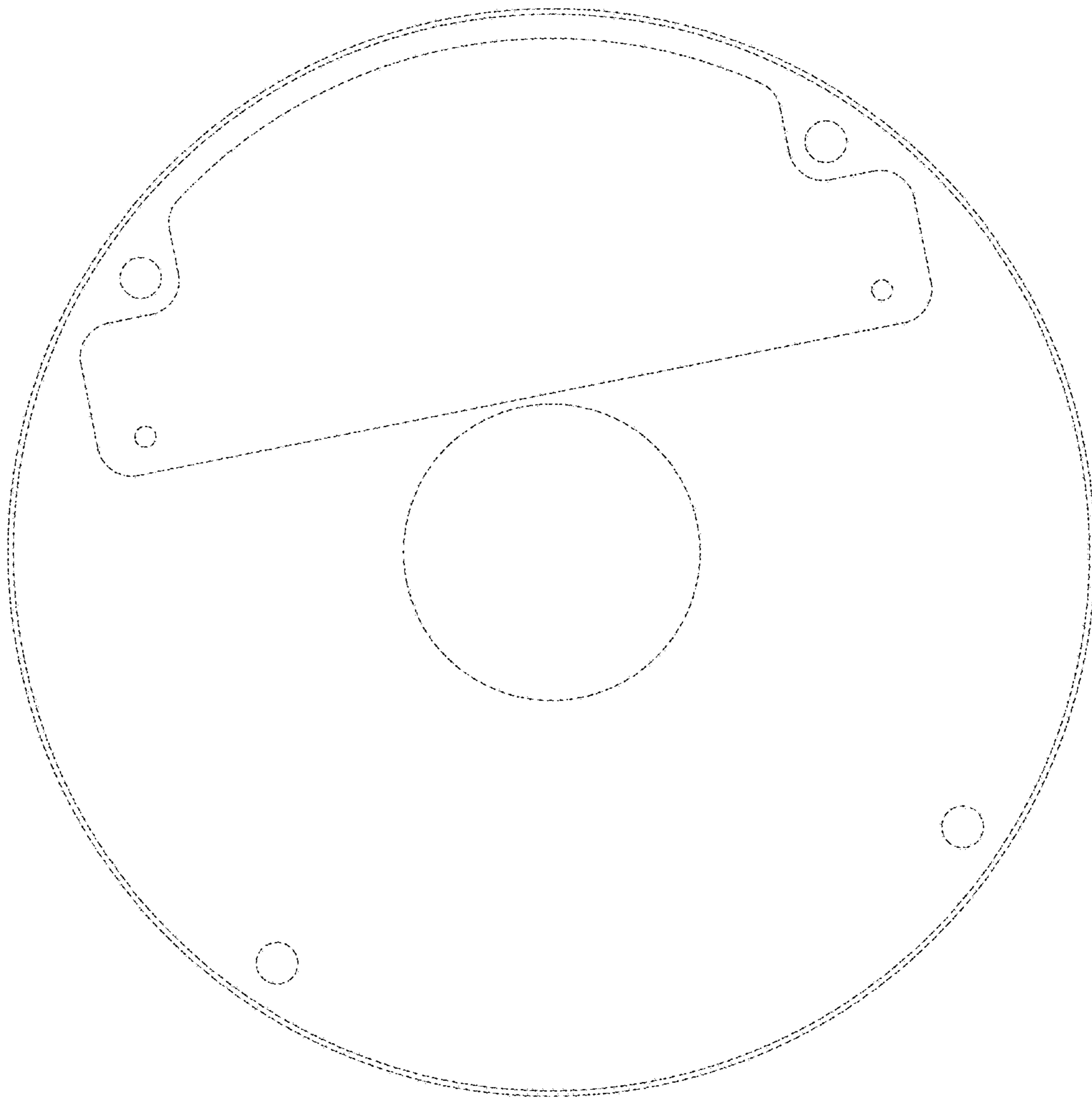


FIG. 3

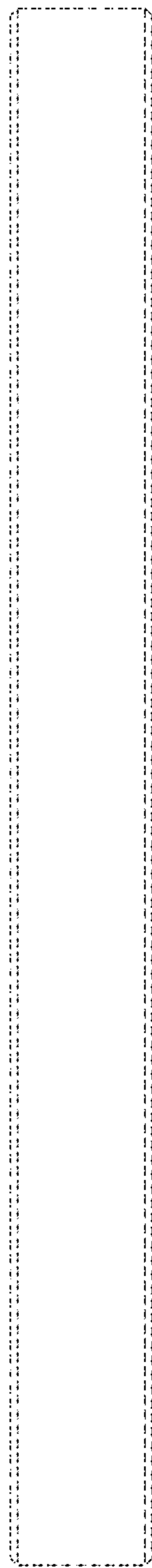


FIG. 4



FIG. 5

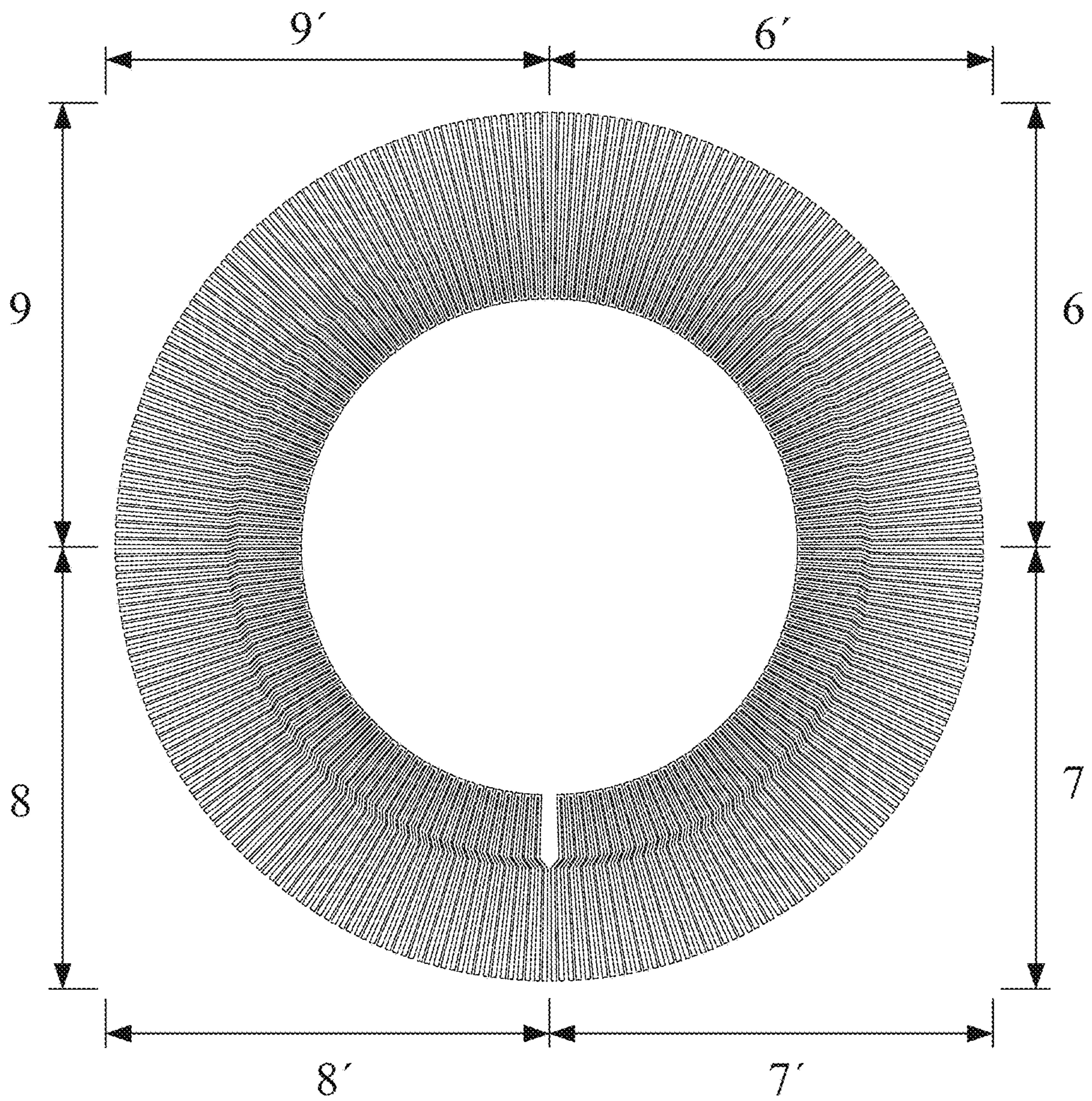


FIG. 6

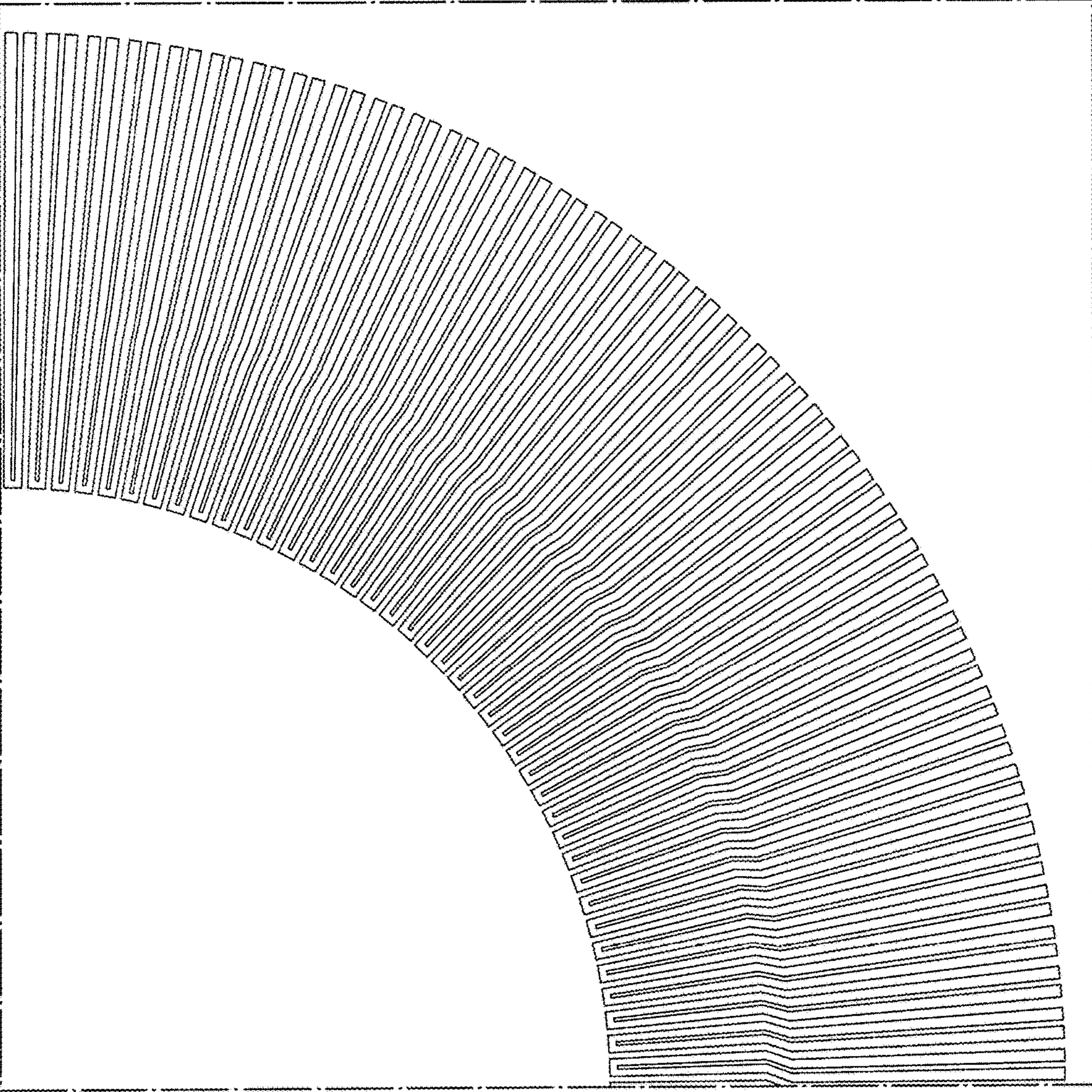


FIG. 7

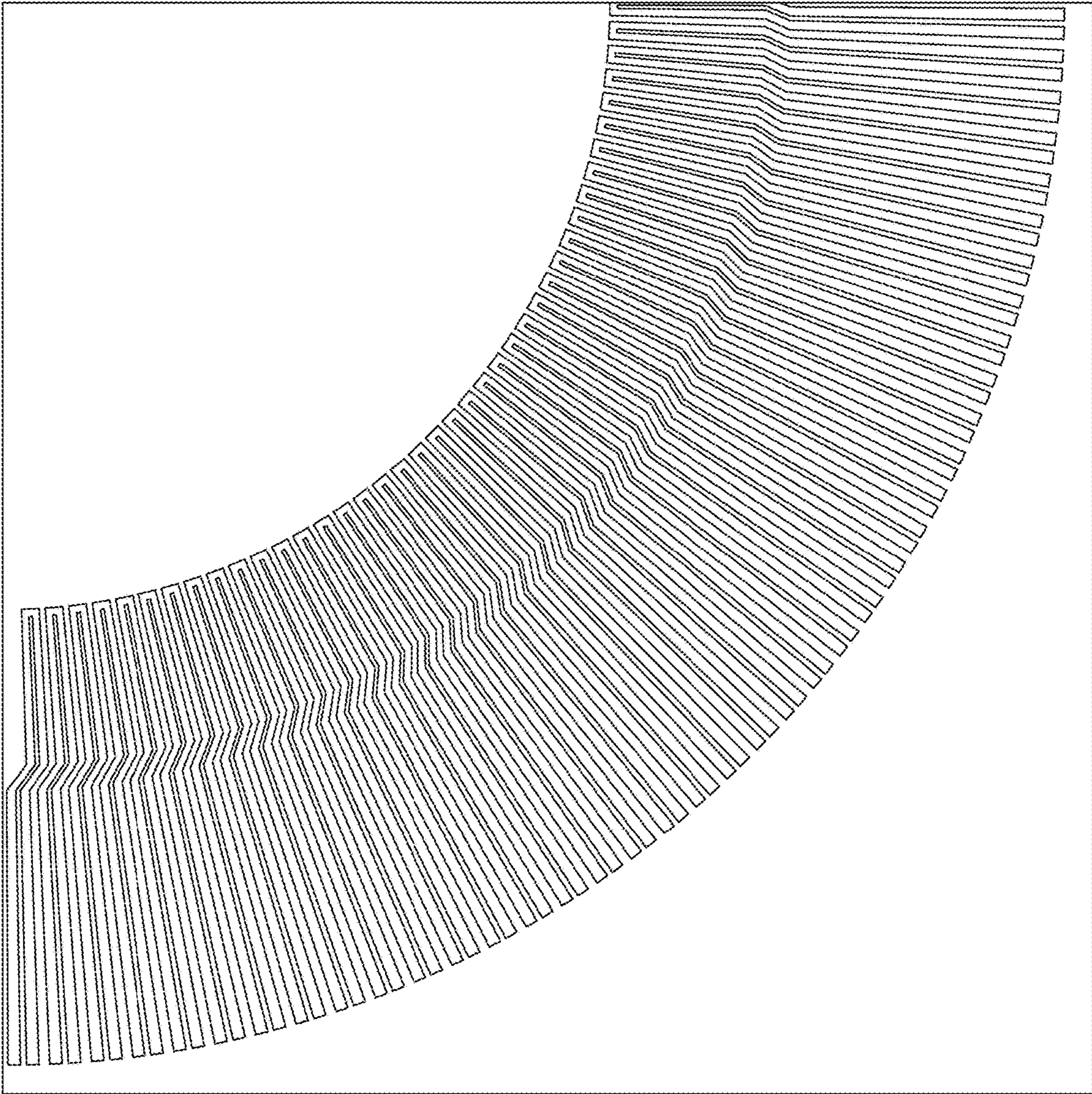


FIG. 8

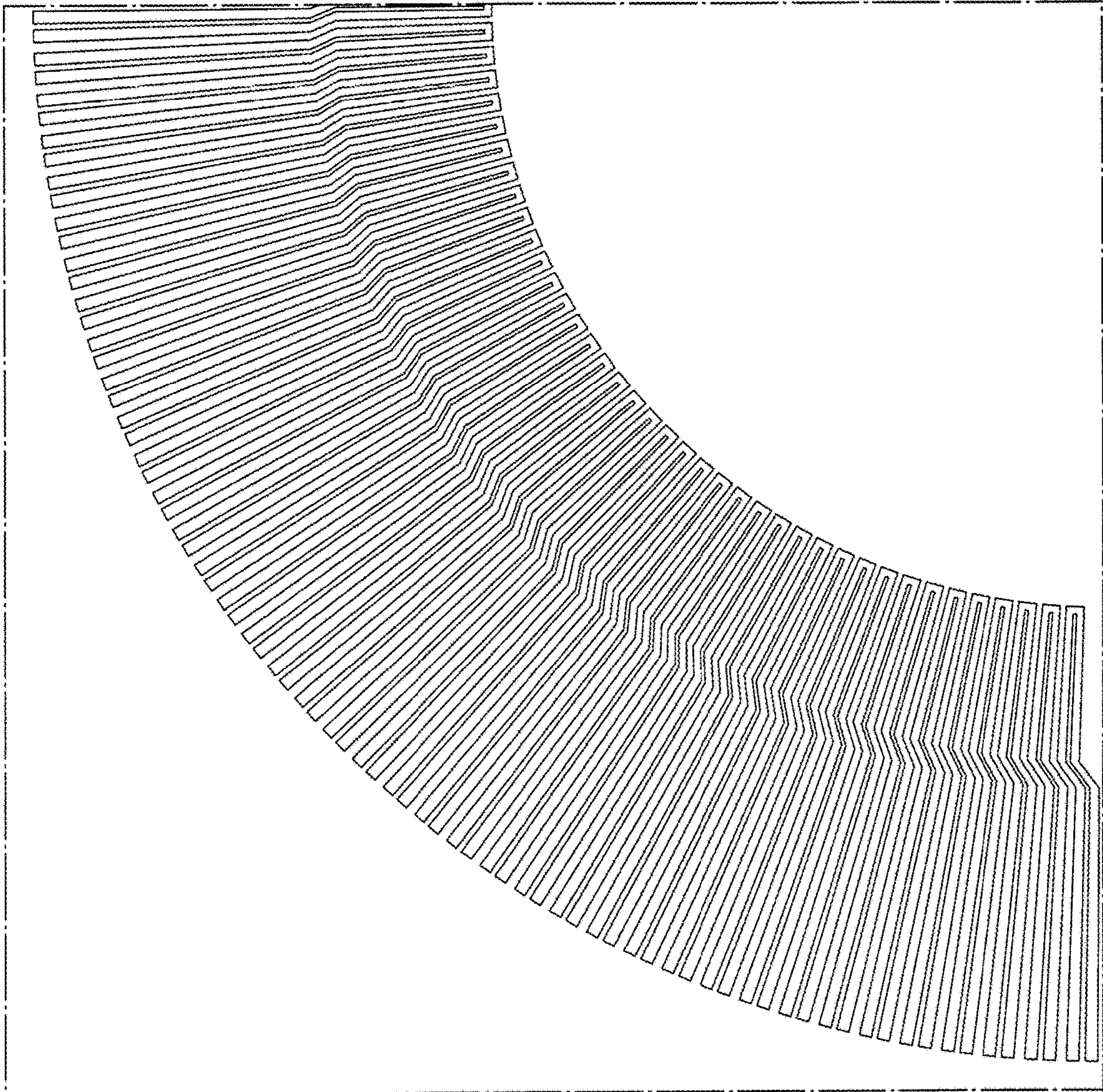


FIG. 9

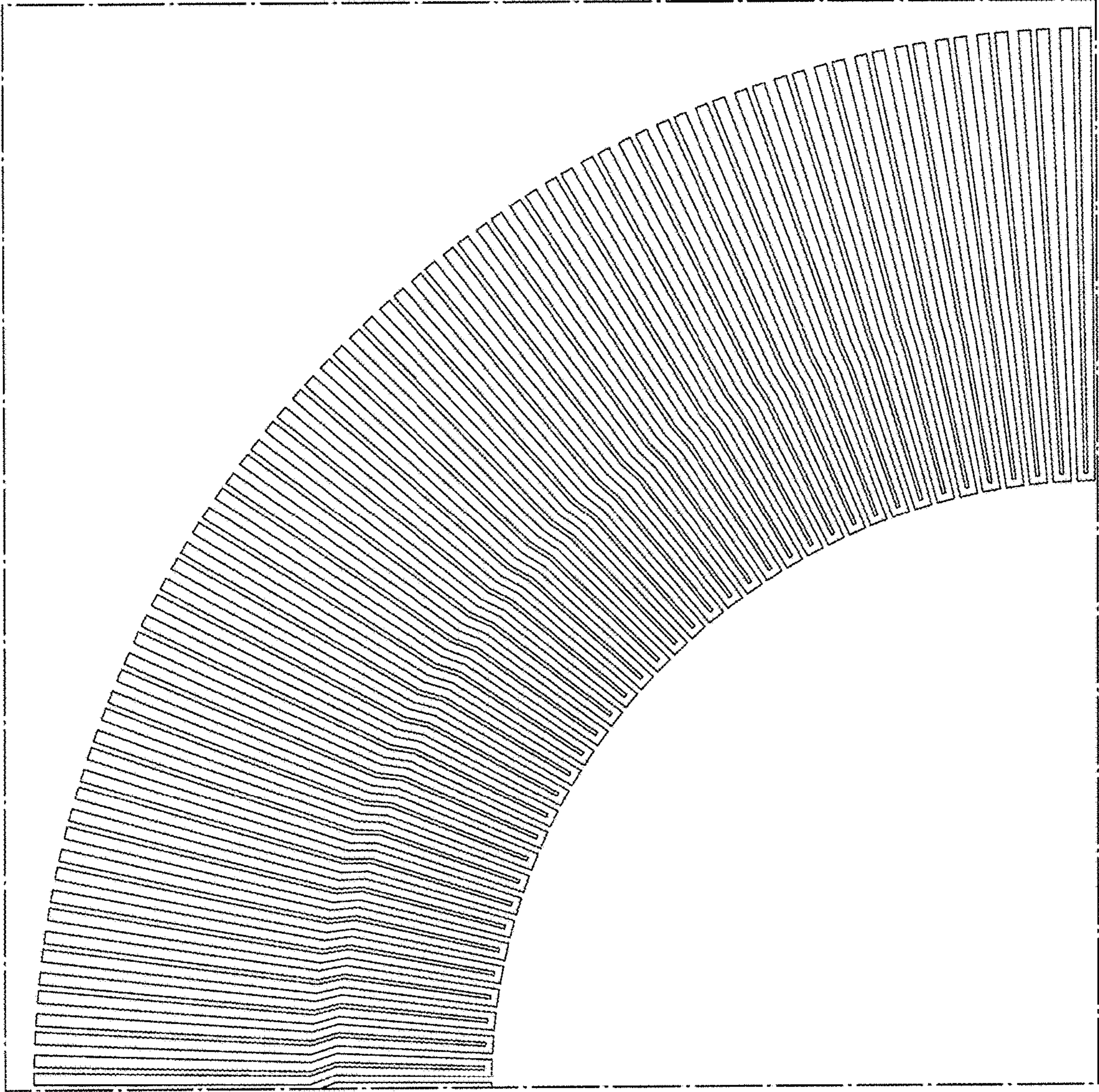


FIG. 10

