



US00D841584S

(12) **United States Design Patent**
Lien

(10) **Patent No.:** **US D841,584 S**

(45) **Date of Patent:** **** Feb. 26, 2019**

(54) **INVERTER**

(71) Applicant: **Black & Decker Inc.**, New Britain, CT
(US)

(72) Inventor: **Liu Chao Lien**, Taichung (TW)

(73) Assignee: **BLACK & DECKER INC.**, New
Britain, CT (US)

(**) Term: **15 Years**

(21) Appl. No.: **29/629,795**

(22) Filed: **Dec. 15, 2017**

(51) **LOC (11) Cl.** **13-02**

(52) **U.S. Cl.**
USPC **D13/110**

(58) **Field of Classification Search**
USPC D13/110, 108, 118, 123, 162, 168, 169,
D13/174, 177, 184, 199; D14/257, 432,
D14/438; 174/16.3, 17 R, 17.08;
361/600, 601, 690, 694, 695, 679.01,
361/679.61, 704, 730; 363/141, 142
CPC H05K 5/00; H05K 5/02; H05K 5/0247;
H05K 7/00; H05K 7/20; H05K 7/20136;
H05K 7/20154; H05K 7/209; H05K
7/0042; H02M 7/00; H02M 7/003; H02M
2001/009; H02J 7/0042; Y10T 307/367
See application file for complete search history.

(56) **References Cited**

U.S. PATENT DOCUMENTS

D343,395 S * 1/1994 Kakizaki D14/188
5,742,478 A * 4/1998 Wu H05K 7/20154
361/704
D409,139 S * 5/1999 Cornell D13/107
5,949,640 A * 9/1999 Cameron H05K 5/0247
361/600

D427,969 S * 7/2000 Wei D13/110
D436,918 S * 1/2001 Matsuda D13/110
D495,296 S * 8/2004 Hussaini D13/110
D544,438 S * 6/2007 Hussaini D13/110
D548,693 S * 8/2007 Krieger D13/110
D551,621 S * 9/2007 Iacovelli D13/110
7,298,627 B2 * 11/2007 Hussaini H02J 7/0042
361/753
D561,688 S * 2/2008 Hussaini D13/110
D562,235 S * 2/2008 Hussaini D13/110
7,483,272 B2 * 1/2009 Hussaini H02J 7/0042
174/50
D595,647 S * 7/2009 Shum D13/110
D654,021 S * 2/2012 Sweeney D13/110
D693,298 S * 11/2013 Inskeep D13/110
D705,729 S * 5/2014 Inskeep D13/110
D743,890 S * 11/2015 Liu D13/110
D766,826 S * 9/2016 Xu D13/110
D806,027 S * 12/2017 Ceravalo D13/110

* cited by examiner

Primary Examiner — Derrick E Holland
(74) *Attorney, Agent, or Firm* — Adan Ayala

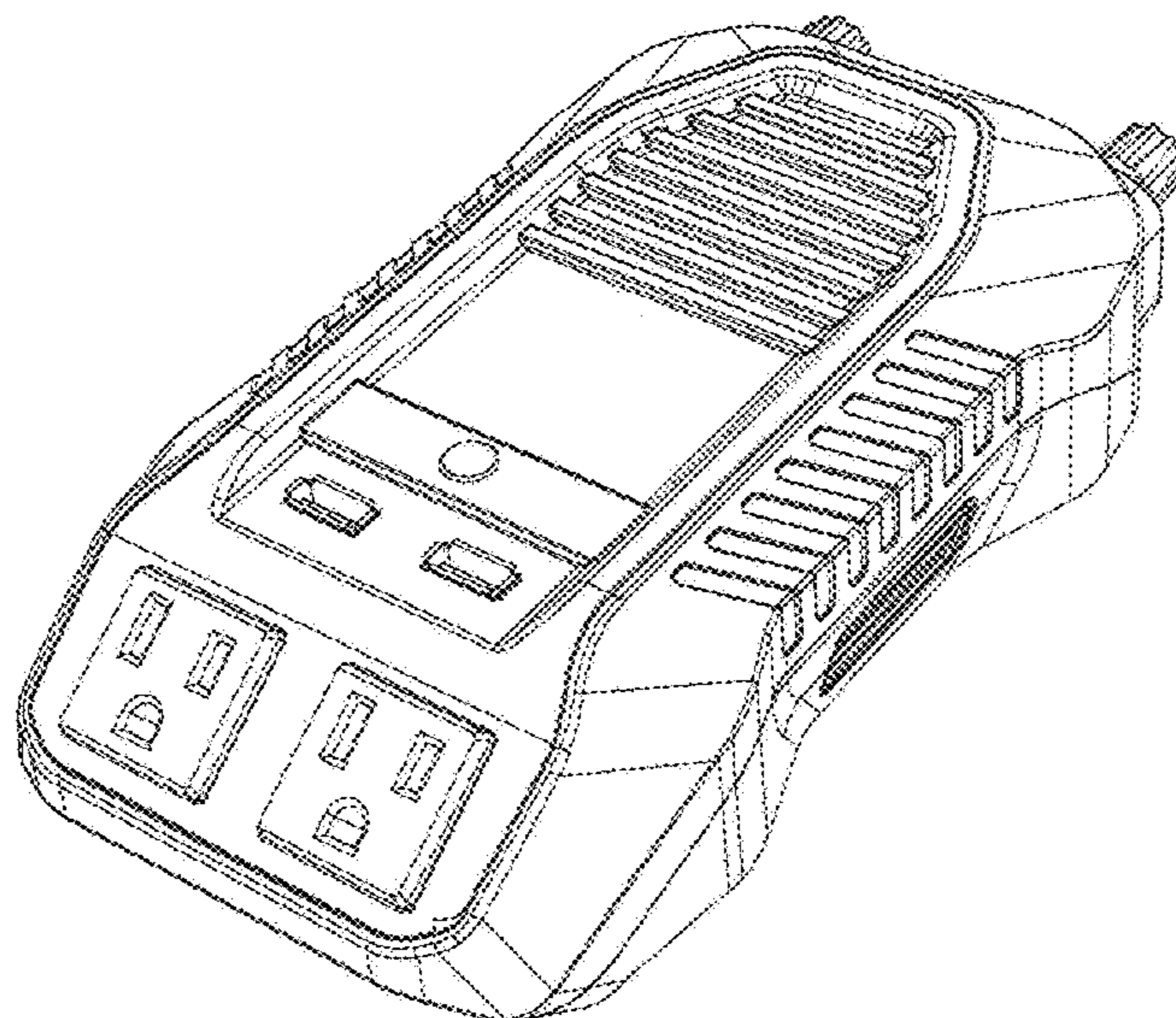
(57) **CLAIM**

The ornamental design for an inverter, as shown and described.

DESCRIPTION

FIG. 1 is a front perspective view of an inverter according to the invention.
FIG. 2 is a front view of the inverter of FIG. 1.
FIG. 3 is a rear view of the inverter of FIG. 1.
FIG. 4 is a left side view of the inverter of FIG. 1.
FIG. 5 is a right side view of the inverter of FIG. 1.
FIG. 6 is a top plan view of the inverter of FIG. 1.
FIG. 7 is a bottom plan view of the inverter of FIG. 1; and,
FIG. 8 is a rear perspective view of the inverter of FIG. 1.

1 Claim, 8 Drawing Sheets



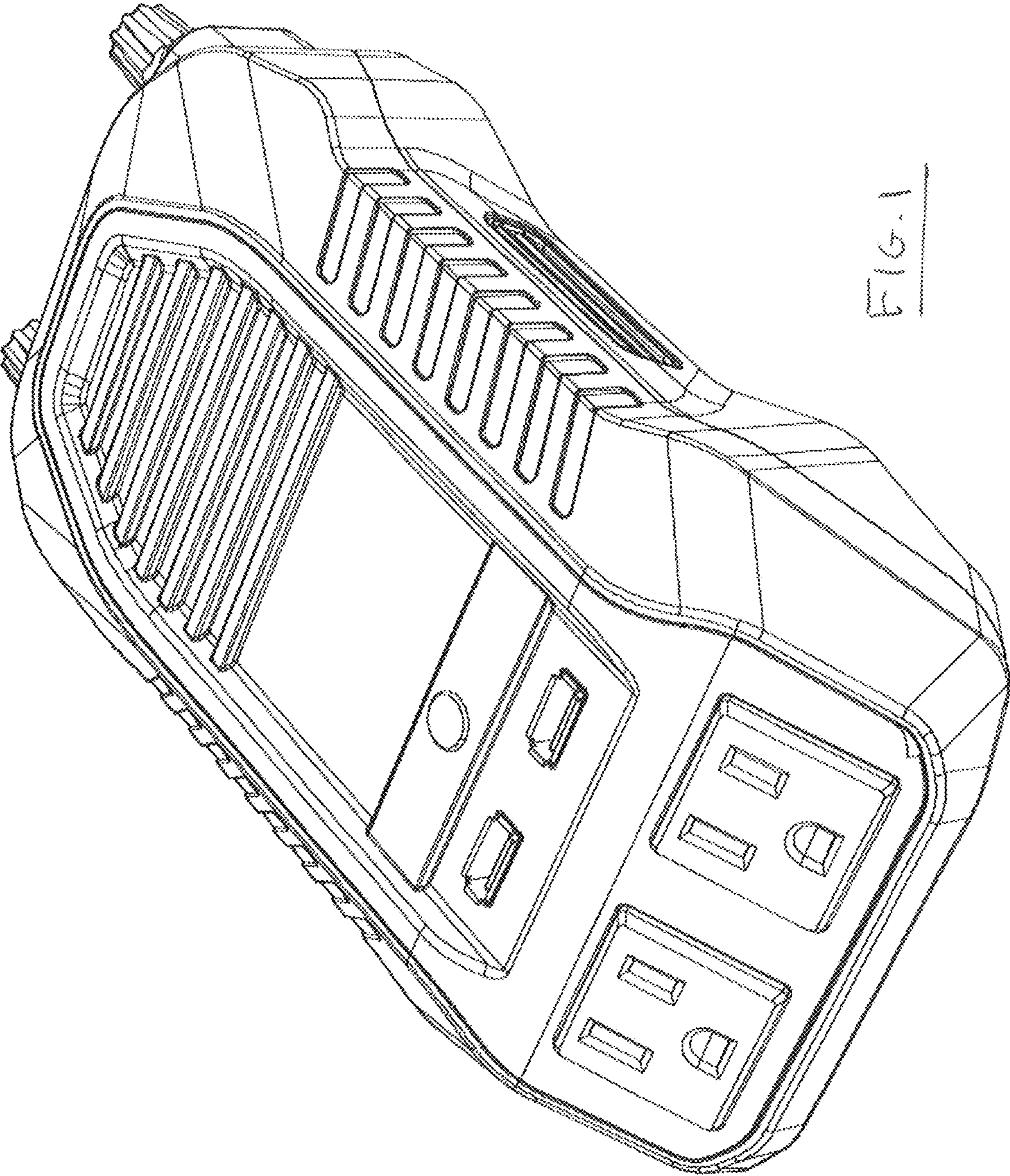


FIG. 1

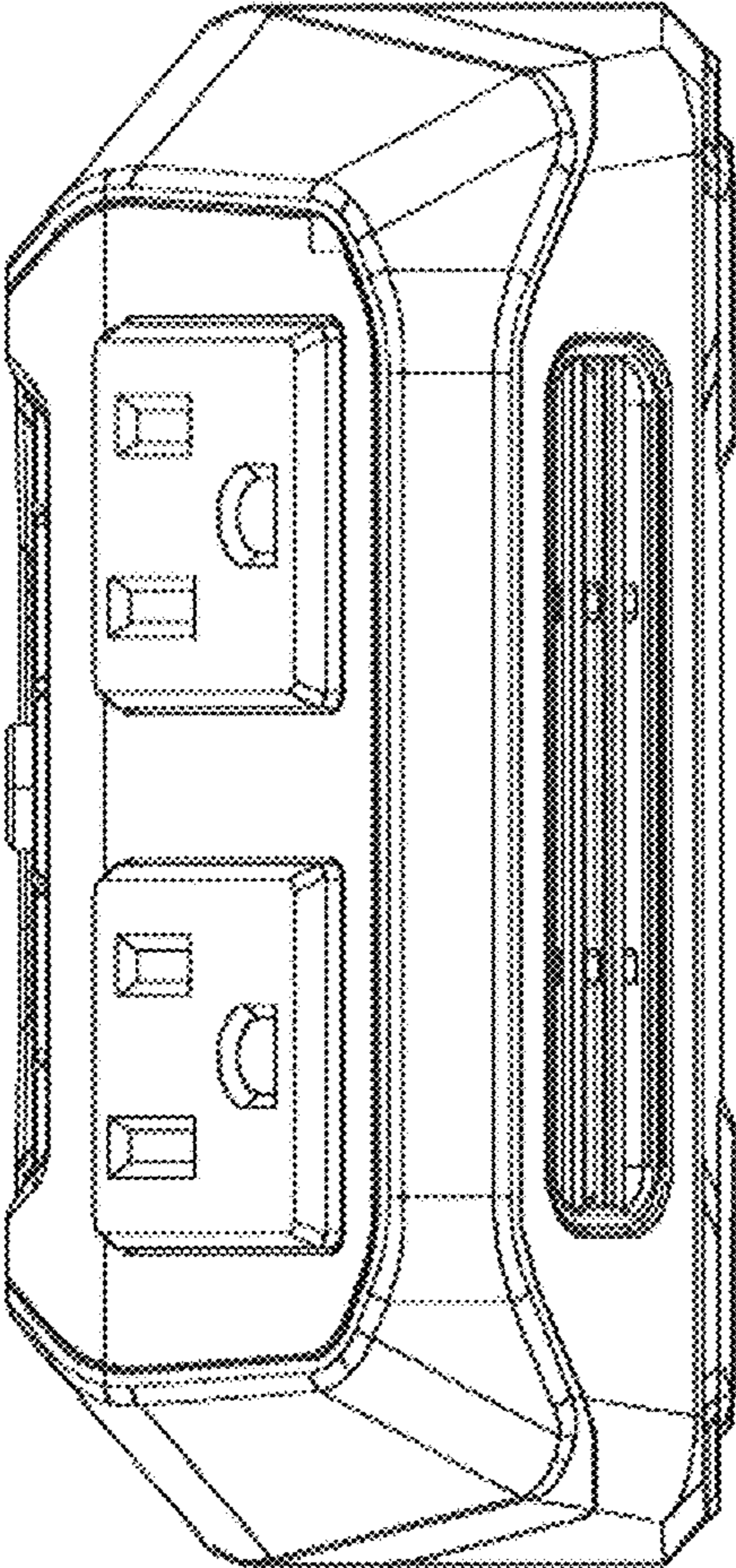


FIG. 2

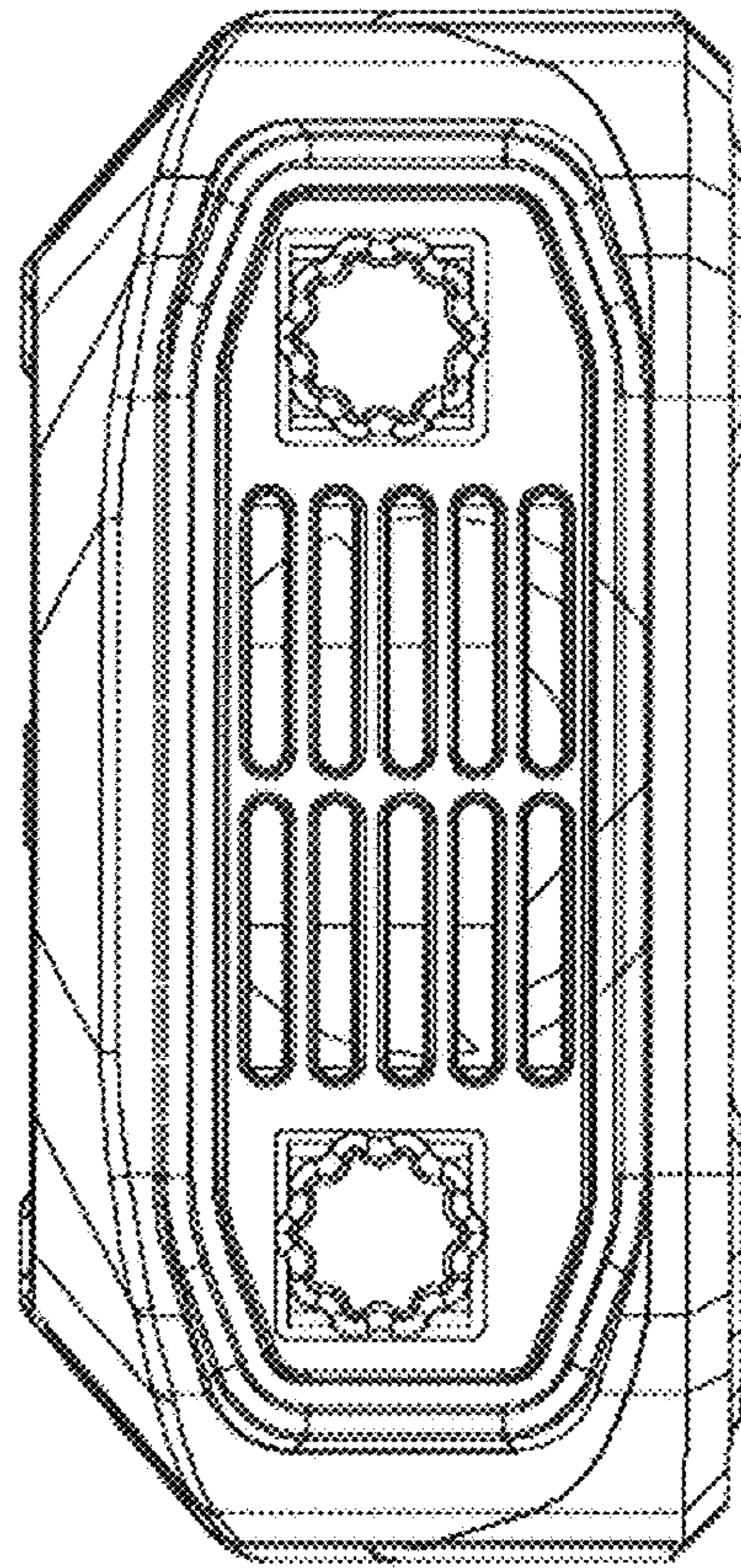


FIG. 3

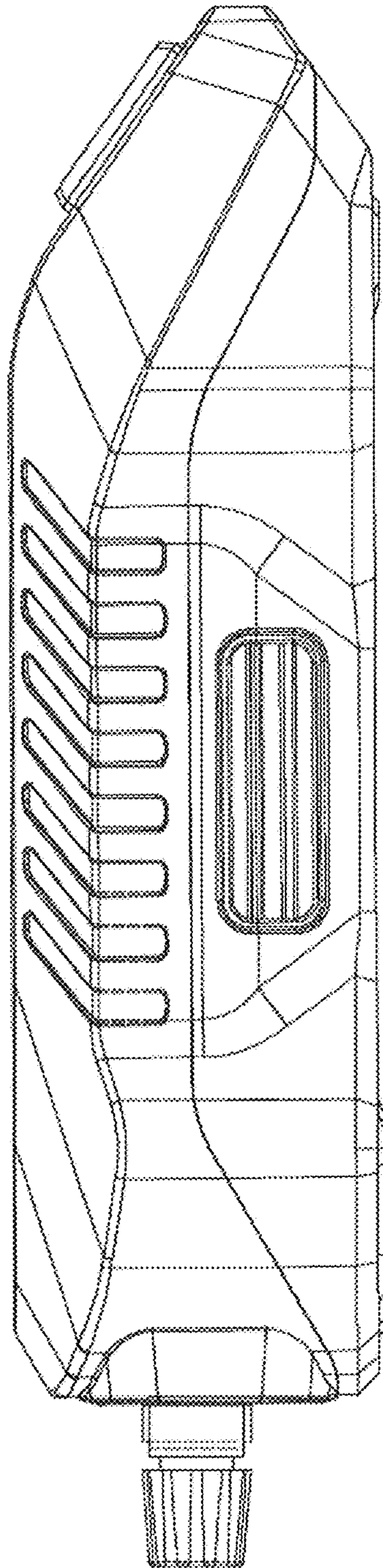


FIG. 4

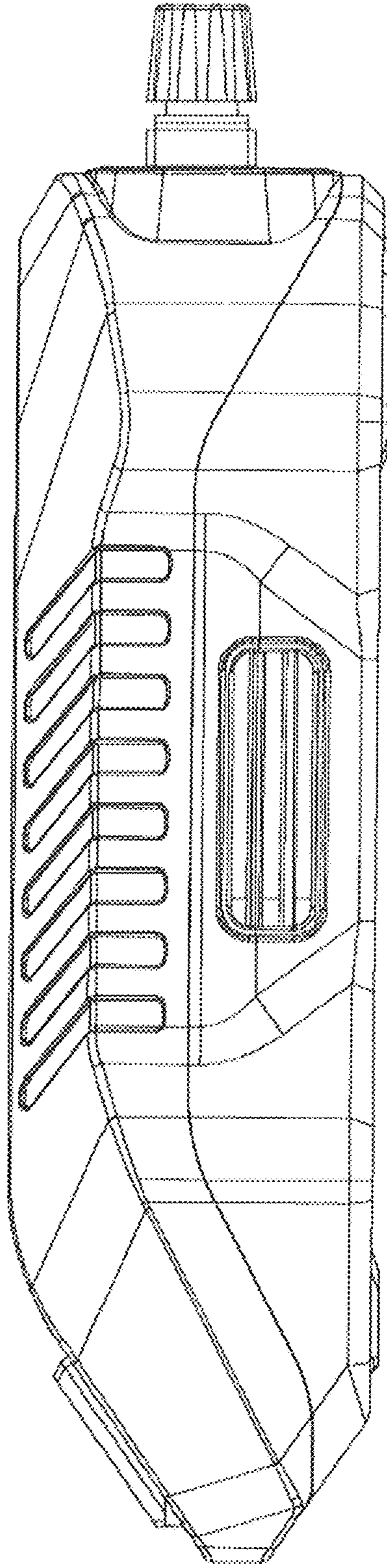


FIG. 5

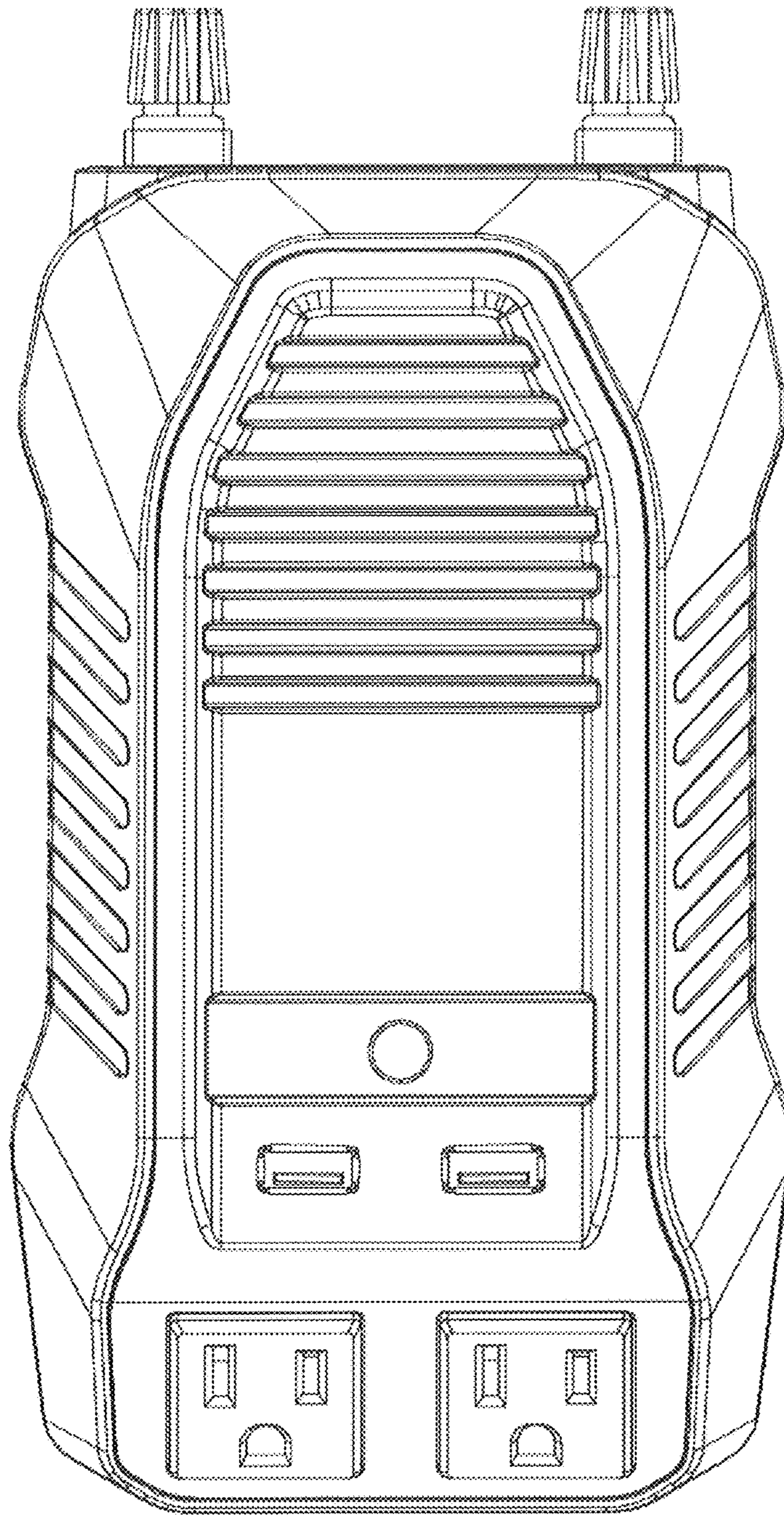


FIG. 6

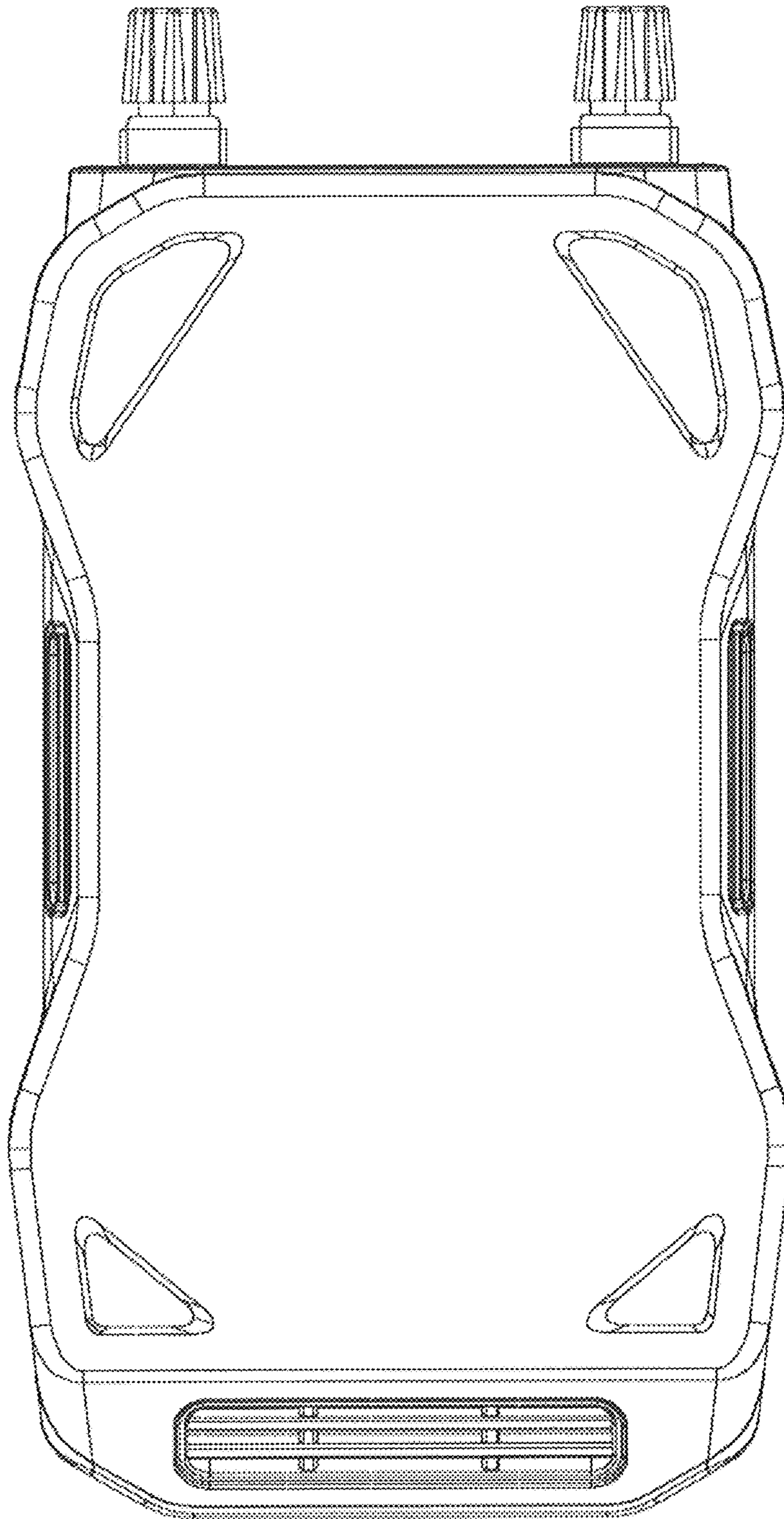


FIG. 7

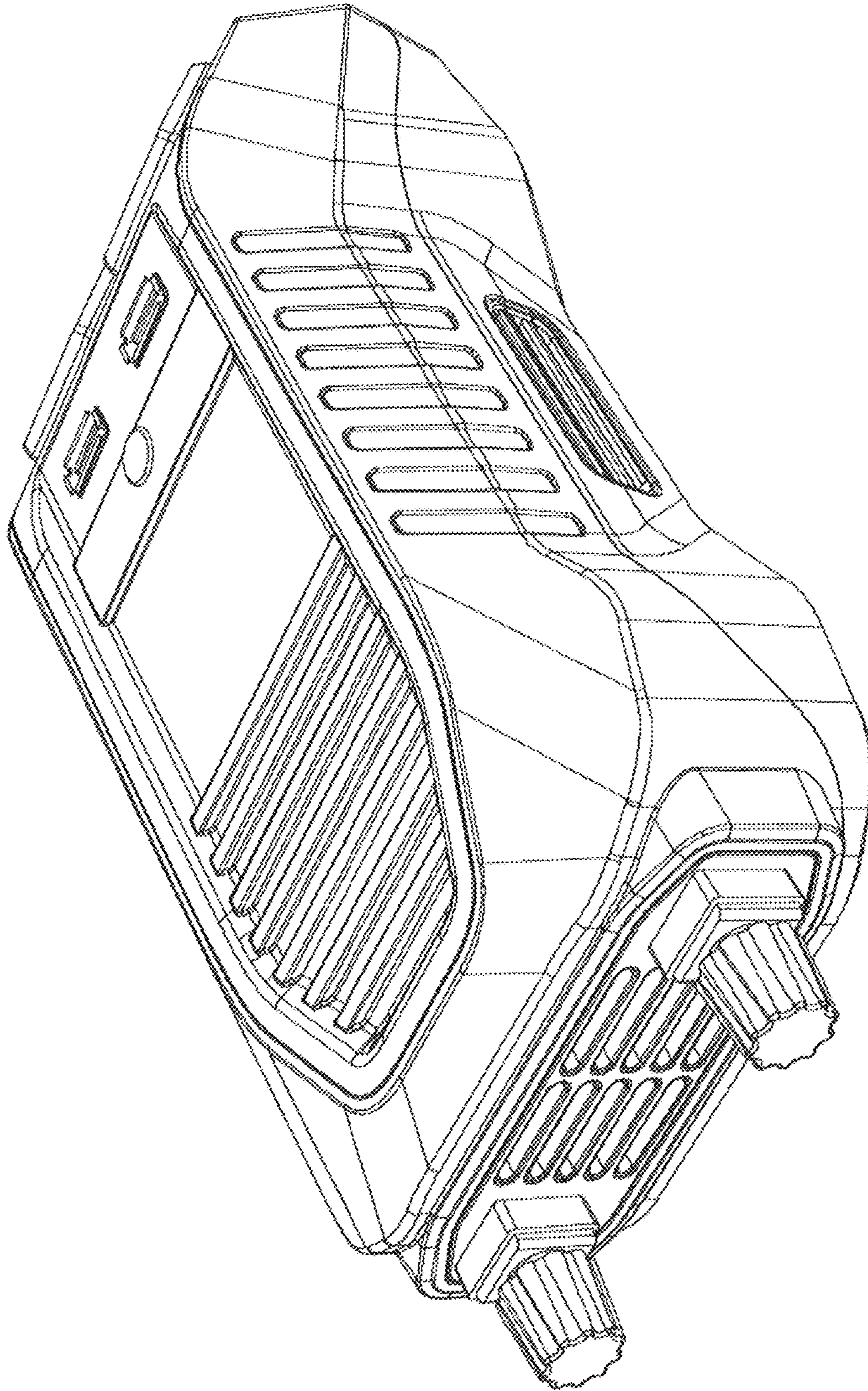


FIG. 8