



US00D841582S

(12) **United States Design Patent** (10) **Patent No.:** **US D841,582 S**
Tian (45) **Date of Patent:** **** Feb. 26, 2019**

(54) **CHARGER**

(71) Applicant: **Shenzhen TXRICH technology Co., LTD**, Shenzhen (CN)

(72) Inventor: **Chunfeng Tian**, Guangdong (CN)

(**) Term: **15 Years**

(21) Appl. No.: **29/621,705**

(22) Filed: **Oct. 11, 2017**

(51) **LOC (11) Cl.** **13-02**

(52) **U.S. Cl.**
USPC **D13/108**

(58) **Field of Classification Search**

USPC D13/103, 107-110, 118-119, 184, 199;
D8/353, 354, 373, 381; D14/251, 253,
D14/432, 434; D28/73
CPC B60L 11/182; Y02E 60/12; Y02T 90/14;
Y02T 90/122; Y02T 90/128; Y02T
90/163; H02J 7/025; H02J 7/0042; H02J
7/0044; H02J 7/0045; H02J 7/0003; H01F
38/14; H01M 2/1022; H01M 2/1055;
H04B 1/14; H04B 1/18

See application file for complete search history.

(56) **References Cited**

U.S. PATENT DOCUMENTS

D611,415 S * 3/2010 Andre D13/108
D623,136 S * 9/2010 Andre D13/108
D627,729 S * 11/2010 Smith D13/108
D627,784 S * 11/2010 Yamamoto D14/433
7,978,489 B1 * 7/2011 Telefus H01R 13/24
363/142
D642,524 S * 8/2011 Fitch D13/110
D653,208 S * 1/2012 Au D13/108
D653,213 S * 1/2012 Andre D13/138.1
D653,615 S * 2/2012 Au D13/108
D655,243 S * 3/2012 Au D13/108

D655,244 S * 3/2012 Au D13/108
D664,093 S * 7/2012 Andre D13/138.1
D683,314 S * 5/2013 Andre D13/108
D693,764 S * 11/2013 Hok Man D13/108
D702,631 S * 4/2014 Esses D13/108
D729,160 S * 5/2015 Levy D13/110
D732,472 S * 6/2015 Laffon D13/110
D734,259 S * 7/2015 Cypress D13/110
D735,130 S * 7/2015 Huang D13/108
D742,309 S * 11/2015 Sumida D13/108
D778,914 S * 2/2017 Huang D13/110
9,800,291 B1 * 10/2017 Ben David G06F 3/0605
D804,412 S * 12/2017 Huang D13/108
D808,903 S * 1/2018 Koenig D13/110
D819,566 S * 6/2018 Hung D13/110
2014/0308853 A1 * 10/2014 Colahan H01R 13/6675
439/628

* cited by examiner

Primary Examiner — Jennifer Rivard

Assistant Examiner — Alison M Ofstun

(74) *Attorney, Agent, or Firm* — Prakash Nama; Global IP Services, PLLC

(57) **CLAIM**

The ornamental design for a charger, as shown and described.

DESCRIPTION

FIG. 1 is a front elevational view of a charger showing my new design;

FIG. 2 is a rear elevational view thereof;

FIG. 3 is a left side view thereof;

FIG. 4 is a right side view thereof;

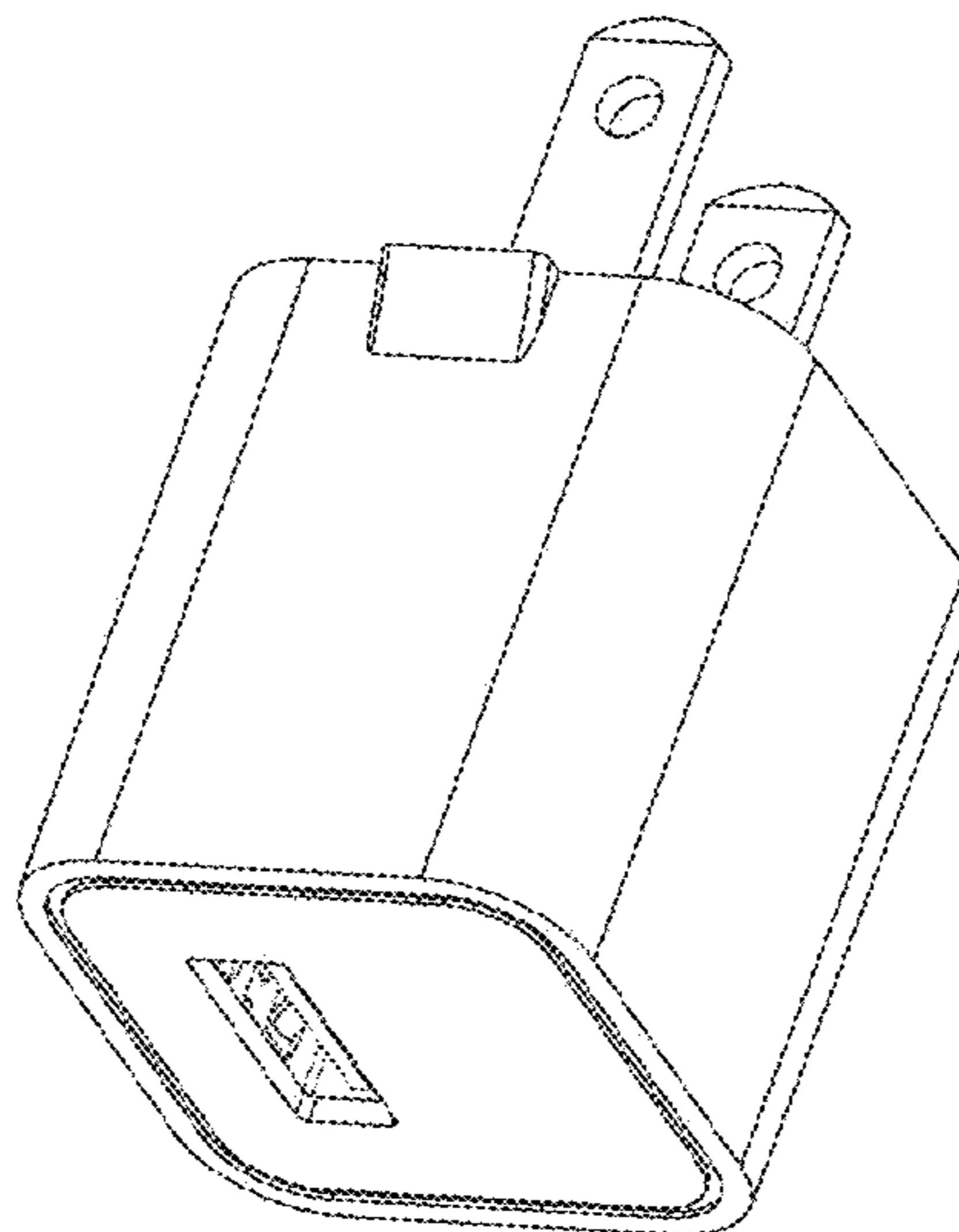
FIG. 5 is a top plan view thereof;

FIG. 6 is a bottom plan view thereof; and,

FIG. 7 is a perspective view thereof.

The broken lines in the drawings represent portions of the article which form no part of the claimed design.

1 Claim, 4 Drawing Sheets



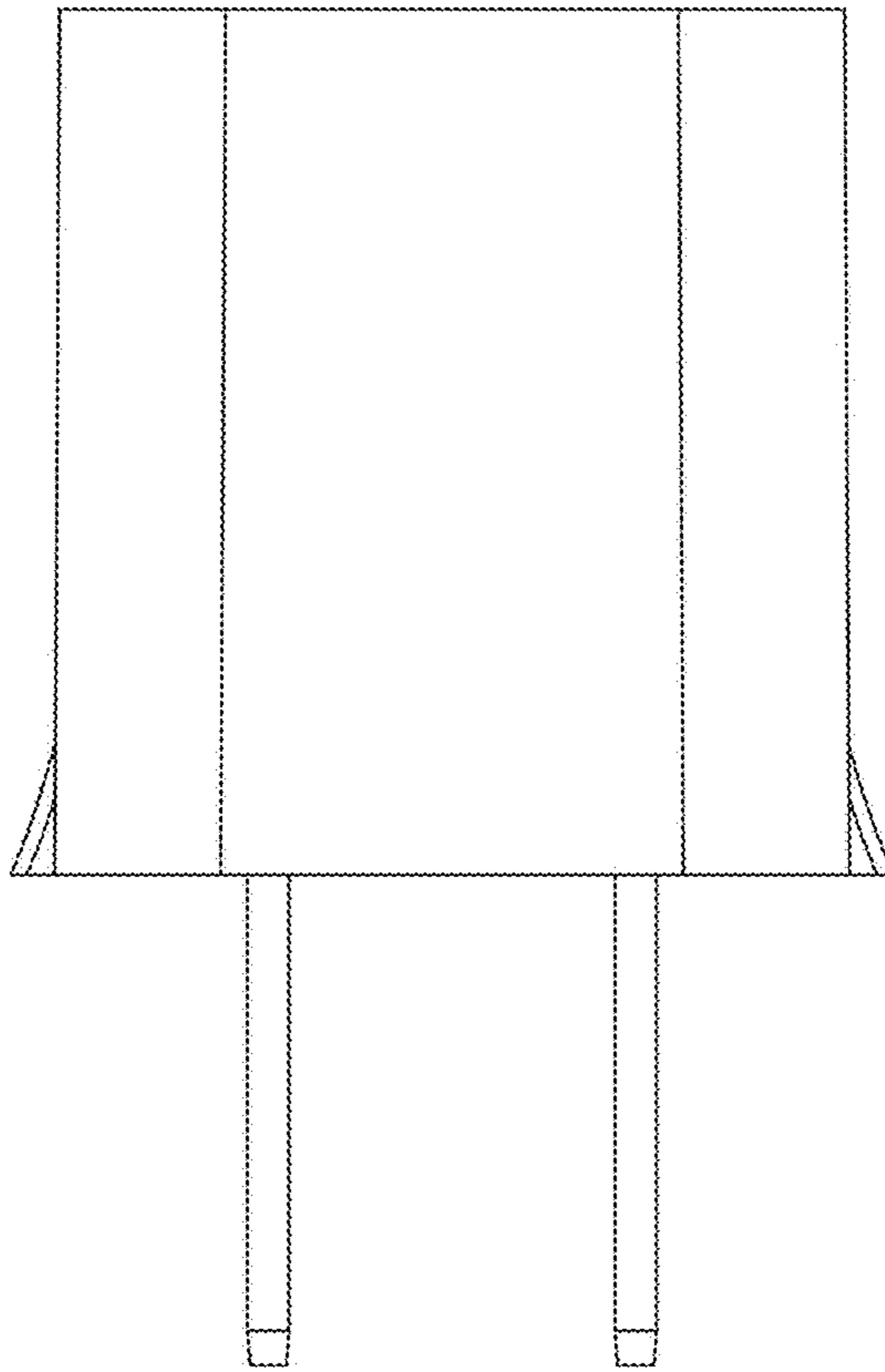


FIG. 1

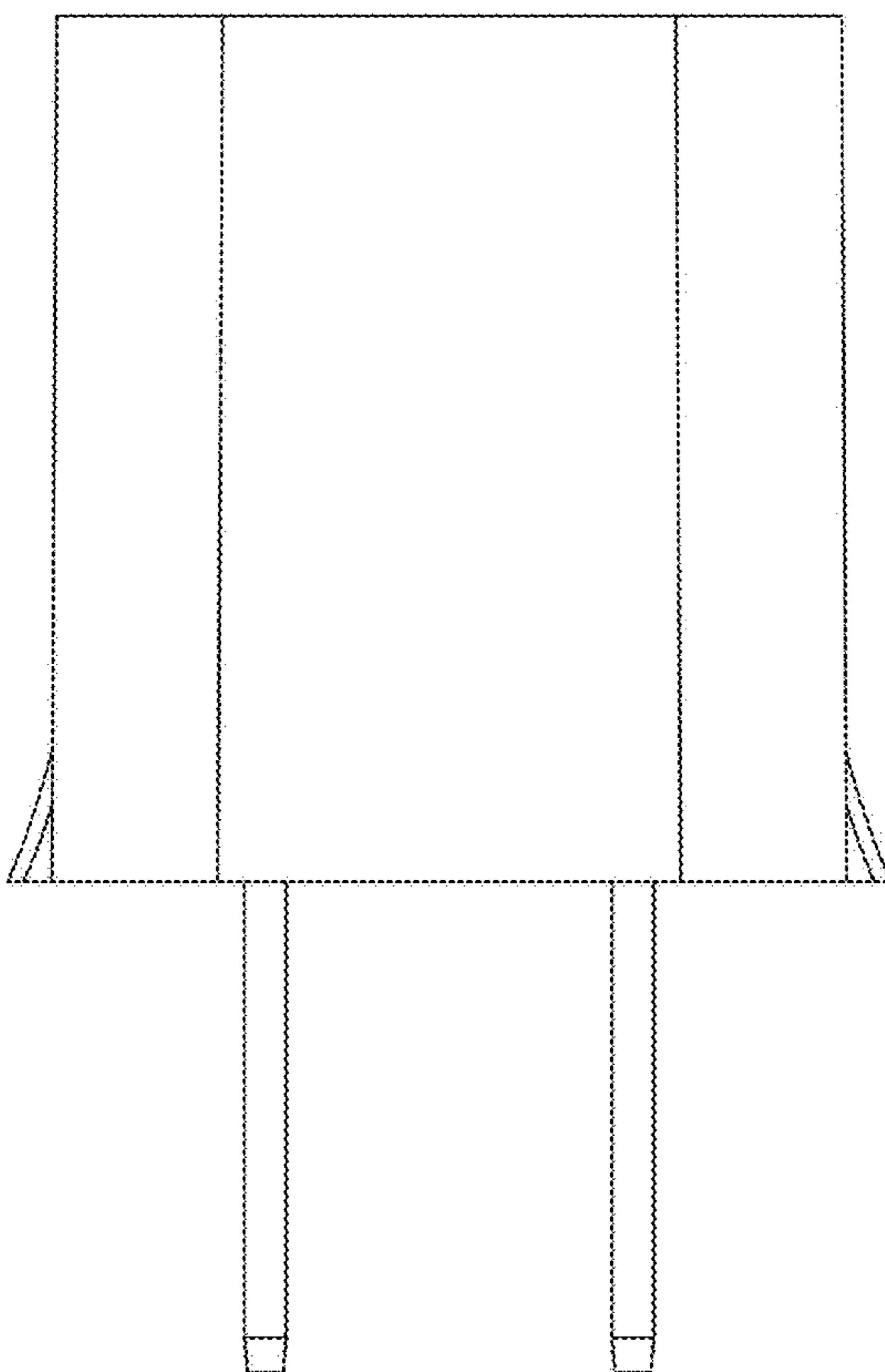


FIG. 2

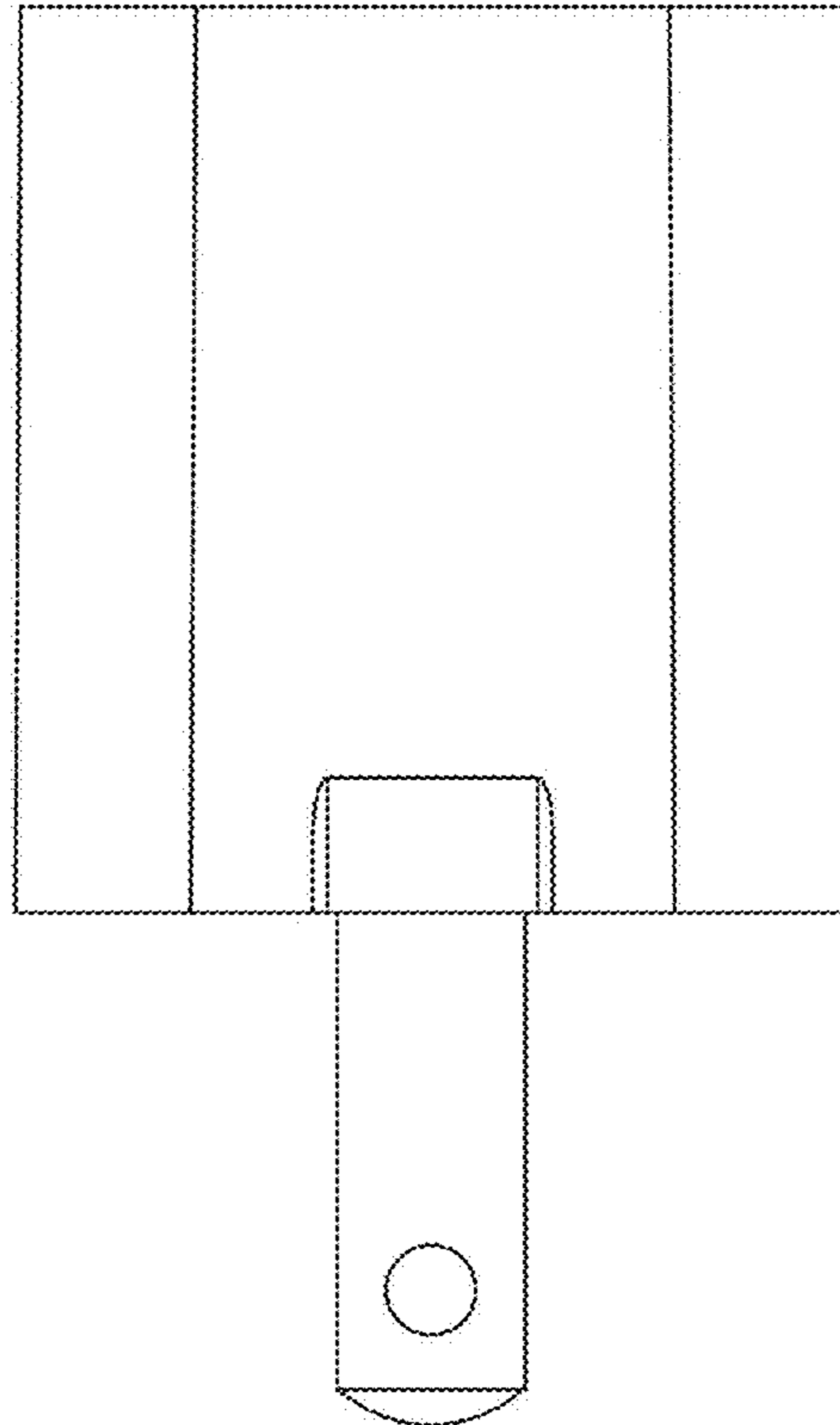


FIG. 3

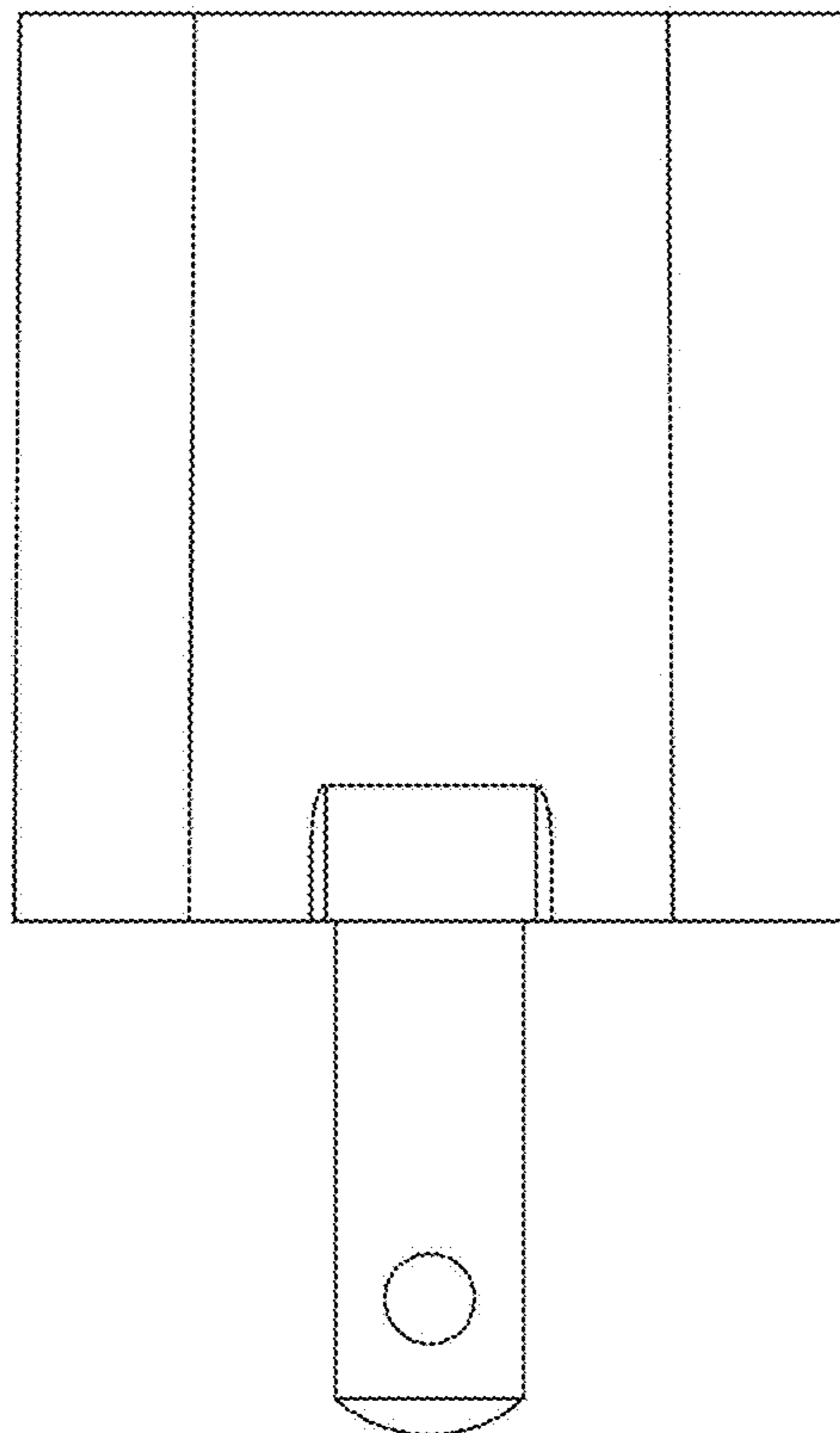


FIG. 4

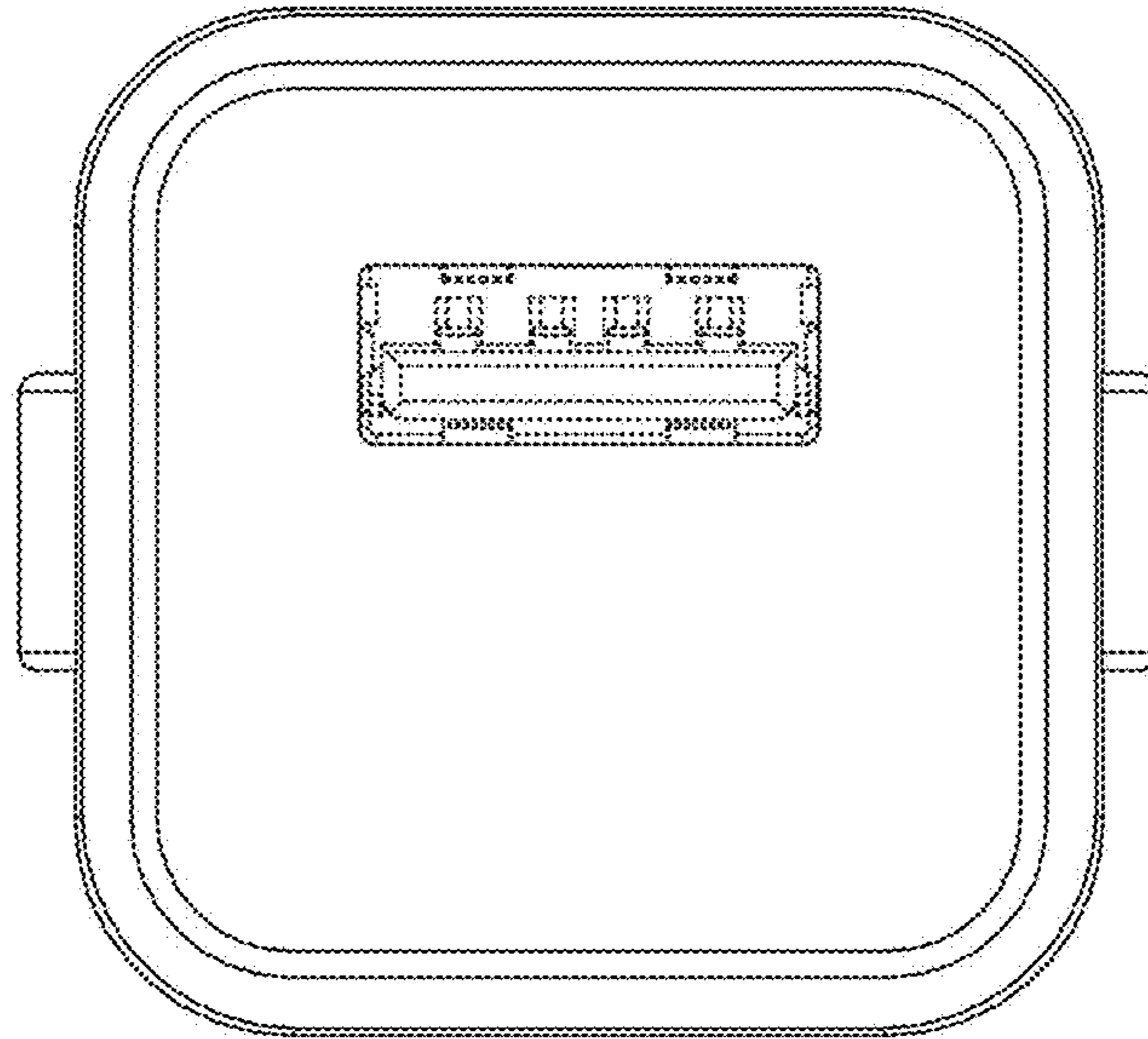


FIG. 5

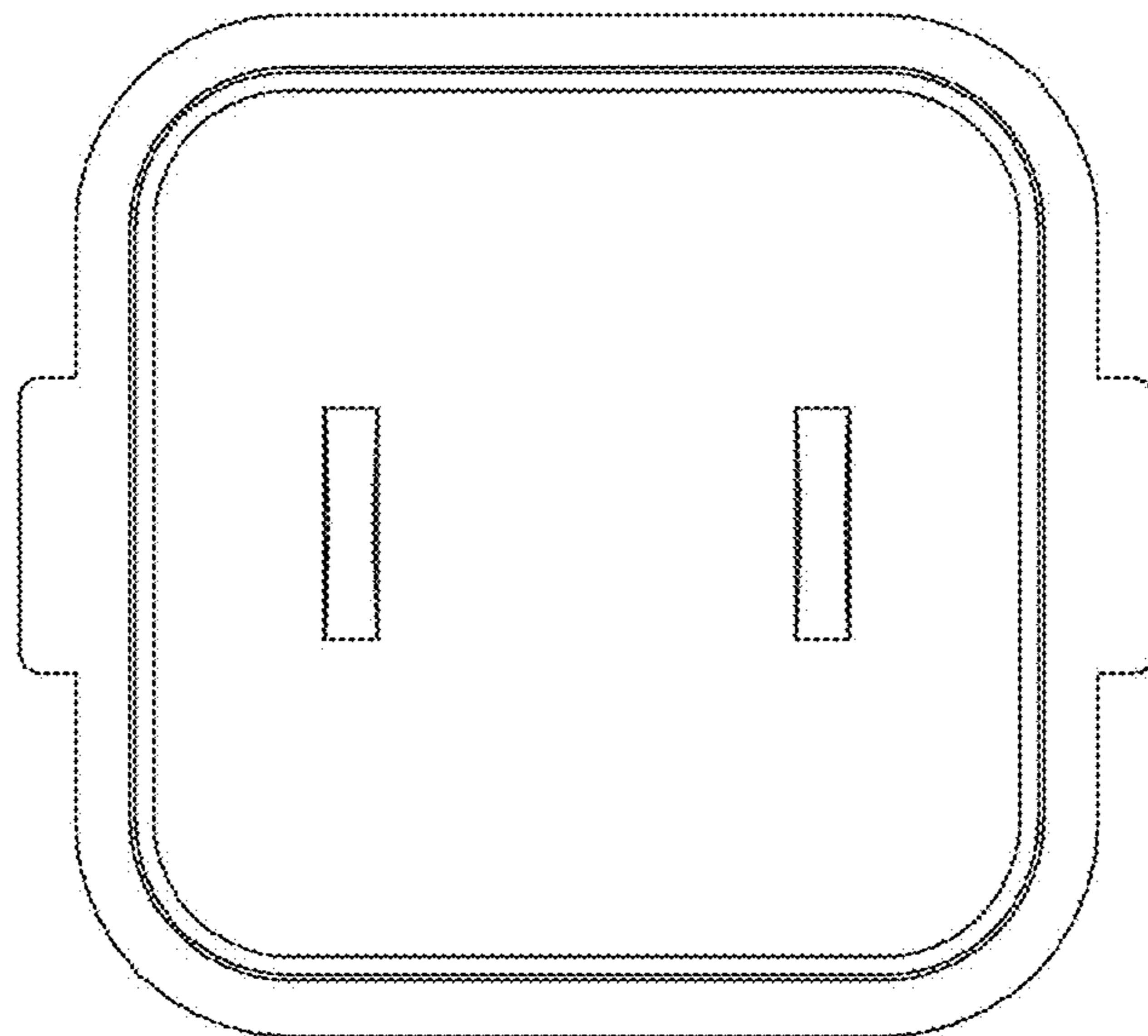


FIG. 6

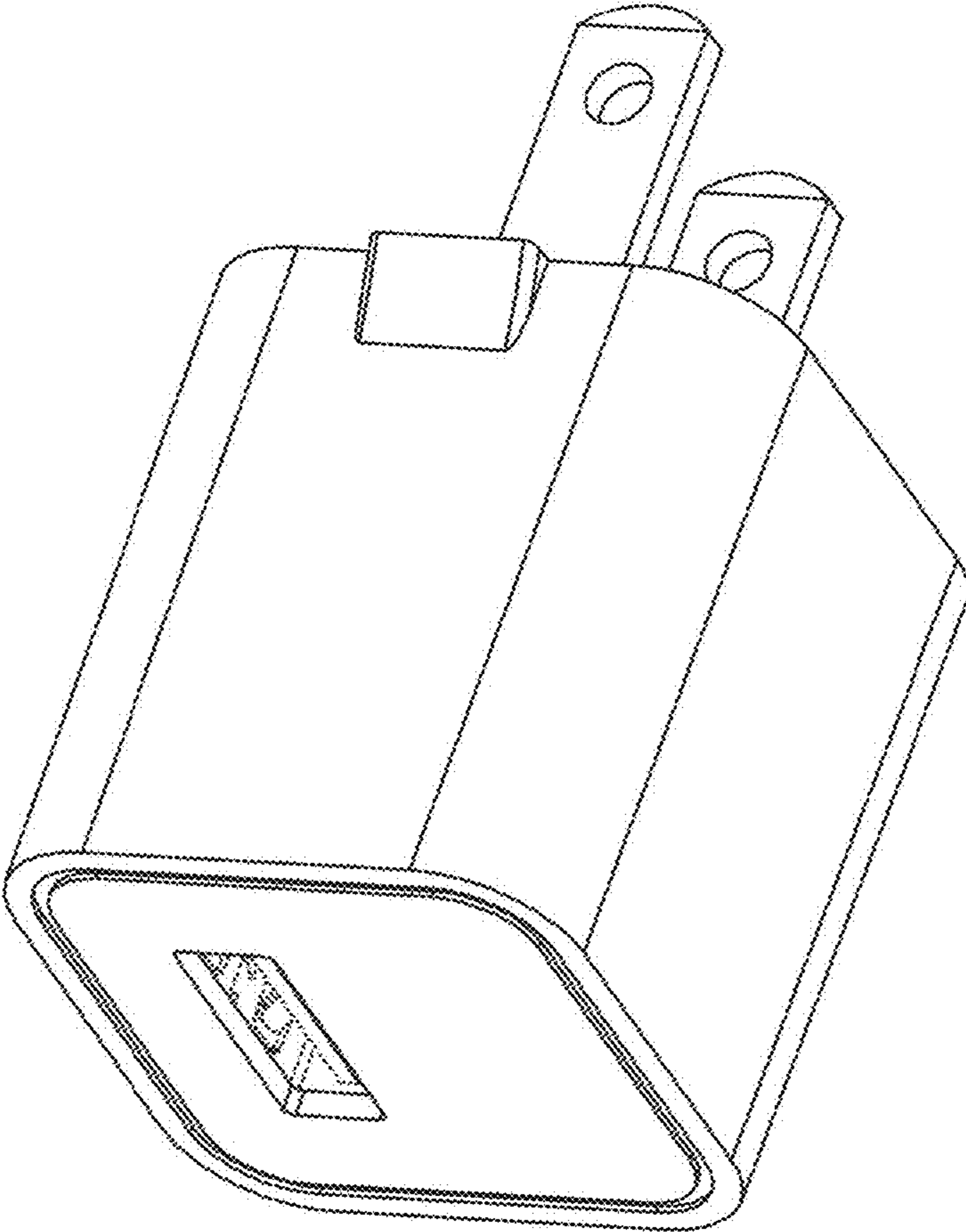


FIG. 7