



US00D841578S

(12) **United States Design Patent**
Kim et al.

(10) **Patent No.:** **US D841,578 S**

(45) **Date of Patent:** **** Feb. 26, 2019**

(54) **WIRELESS CHARGER**

(71) Applicant: **SAMSUNG ELECTRONICS CO., LTD.**, Suwon-si (KR)

(72) Inventors: **Jinwook Kim**, Yongin-si (KR);
Jaehyung Kim, Gwangju-si (KR);
Eunha Choi, Yongin-si (KR)

(73) Assignee: **Samsung Electronics Co., Ltd.**,
Suwon-si (KR)

(**) Term: **15 Years**

(21) Appl. No.: **29/597,174**

(22) Filed: **Mar. 15, 2017**

(30) **Foreign Application Priority Data**

Nov. 8, 2016 (KR) 30-2016-0053641

(51) **LOC (11) Cl.** **13-02**

(52) **U.S. Cl.**
USPC **D13/108**

(58) **Field of Classification Search**
USPC D13/107-110, 118-119, 184, 199;
D14/251, 253, 432, 434
CPC Y02E 60/12; Y02T 90/14; Y02T 90/122;
Y02T 90/128; Y02T 90/163; H02J 7/025;
H02J 7/0042; H02J 7/0044; H02J 7/0045;
H02J 7/0003; H01F 38/14; H01R
13/6675; H01M 2/1022; H01M 2/1055;
H01M 10/44; H01M 10/46; H01M
10/425; B60L 11/182

See application file for complete search history.

(56) **References Cited**

U.S. PATENT DOCUMENTS

D480,376 S * 10/2003 Ma D13/108
D526,973 S * 8/2006 Gates D13/168
D537,409 S * 2/2007 Suzuki D13/108
D594,404 S * 6/2009 Kuo D13/107

D627,718 S * 11/2010 Houghton D13/108
D654,431 S * 2/2012 Stephanchick D13/108
D680,068 S * 4/2013 Lee D13/108
D682,200 S * 5/2013 Rautiainen D13/108
D697,027 S * 1/2014 Ho D13/108

(Continued)

FOREIGN PATENT DOCUMENTS

EM 002370288-0001 6/2014
KR 30-0419229 7/2006
KR 30-0849991 4/2016

Primary Examiner — Rosemary K Tarcza

(74) *Attorney, Agent, or Firm* — NSIP Law

(57) **CLAIM**

We claim the ornamental design for a wireless charger, as shown and described.

DESCRIPTION

FIG. 1 is a front perspective view of a wireless charger showing our new design;

FIG. 2 is a front view thereof;

FIG. 3 is a rear view thereof;

FIG. 4 is a left-side view thereof;

FIG. 5 is a right-side view thereof;

FIG. 6 is a top view thereof;

FIG. 7 is a bottom view thereof;

FIG. 8 is a rear perspective view thereof;

FIG. 9 is a bottom rear perspective view thereof;

FIG. 10 is a right-side view of the wireless charger shown in a closed position;

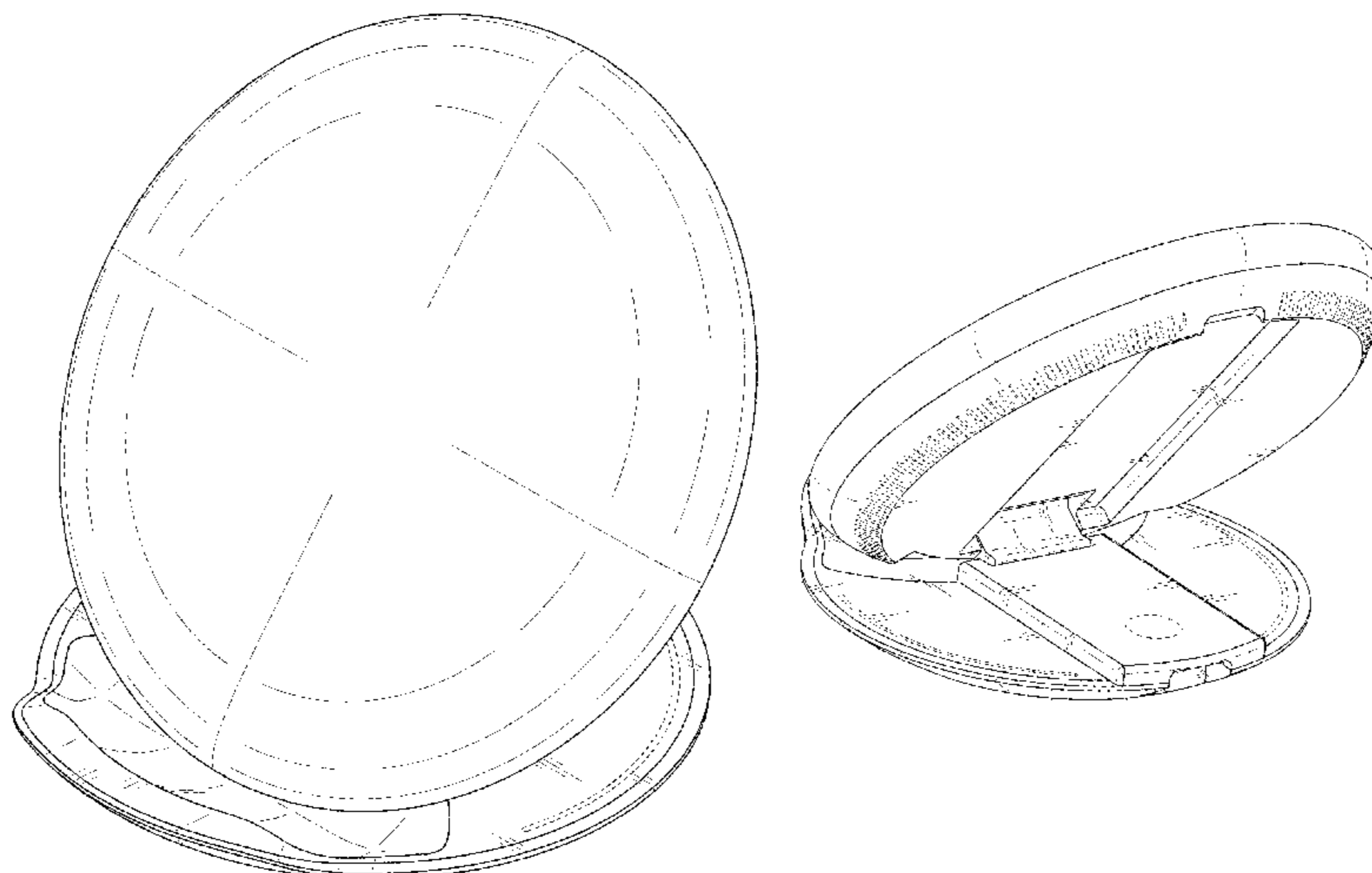
FIG. 11 is a perspective view of the wireless charger in which the lower portion is shown separated;

FIG. 12 is a cross-sectional view taken along the line 12-12 of FIG. 2; and,

FIG. 13 is a cross-sectional view taken along the line 13-13 of FIG. 5.

The broken lines in the figures depict environmental subject matter and form no part of the claimed design.

1 Claim, 13 Drawing Sheets



(56)

References Cited

U.S. PATENT DOCUMENTS

D701,831 S *	4/2014	Park	D13/108
D706,212 S *	6/2014	Zwierstra	D13/107
D748,575 S *	2/2016	Bulgarov	D13/108
D777,103 S *	1/2017	Park	D13/108
D786,792 S *	5/2017	Miller	D13/110
D789,295 S *	6/2017	Nuk	D13/108
D795,182 S *	8/2017	Akana	D13/108
D797,042 S *	9/2017	Miller	D13/107
D797,667 S *	9/2017	Park	D13/108
D797,668 S *	9/2017	Park	D13/108
D802,529 S *	11/2017	Andersson	D13/108
D810,015 S *	2/2018	Carreon	D13/108
D810,680 S *	2/2018	Carreon	D13/108
D817,268 S *	5/2018	Symons	D13/108

* cited by examiner

FIG. 1

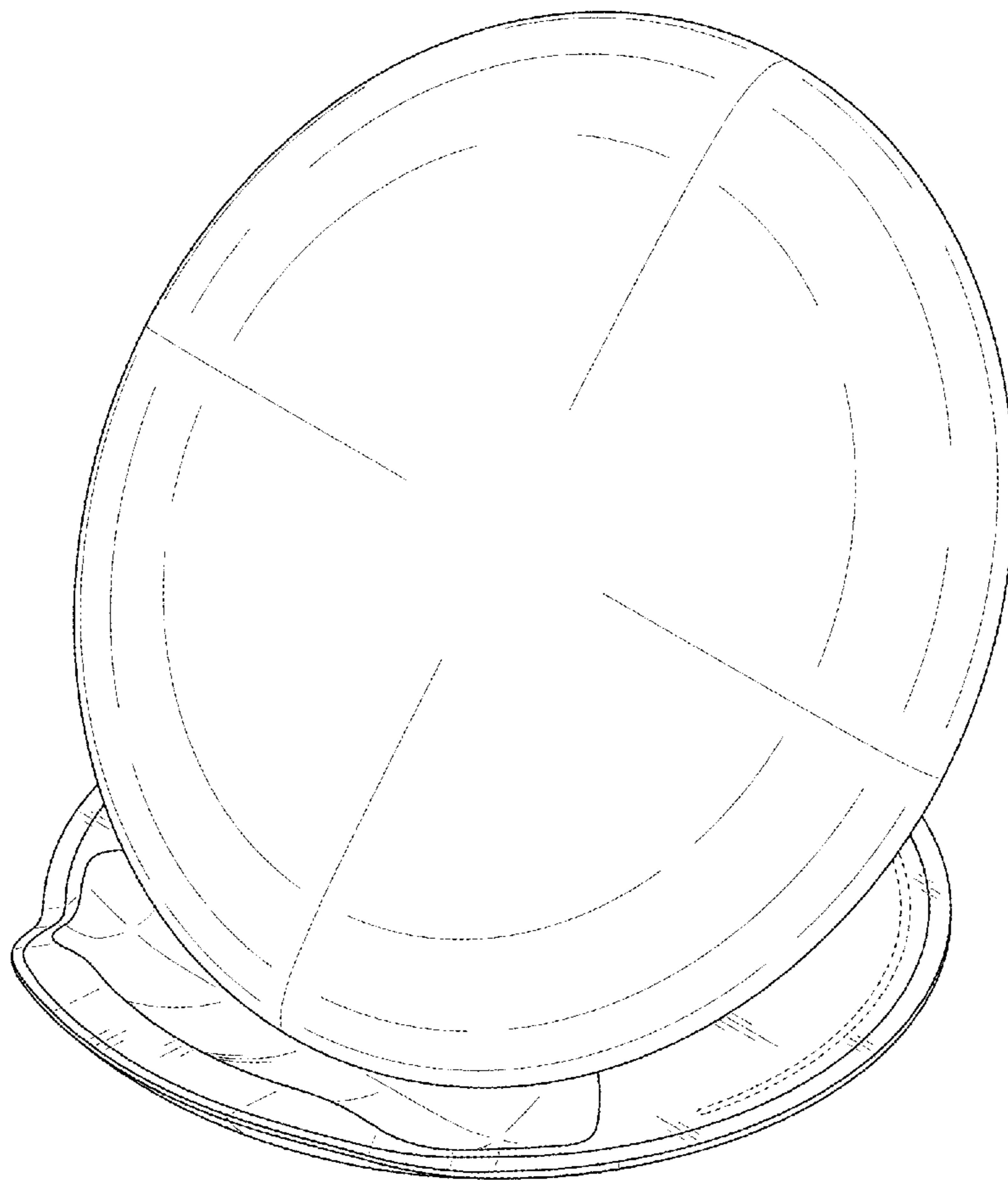


FIG. 2

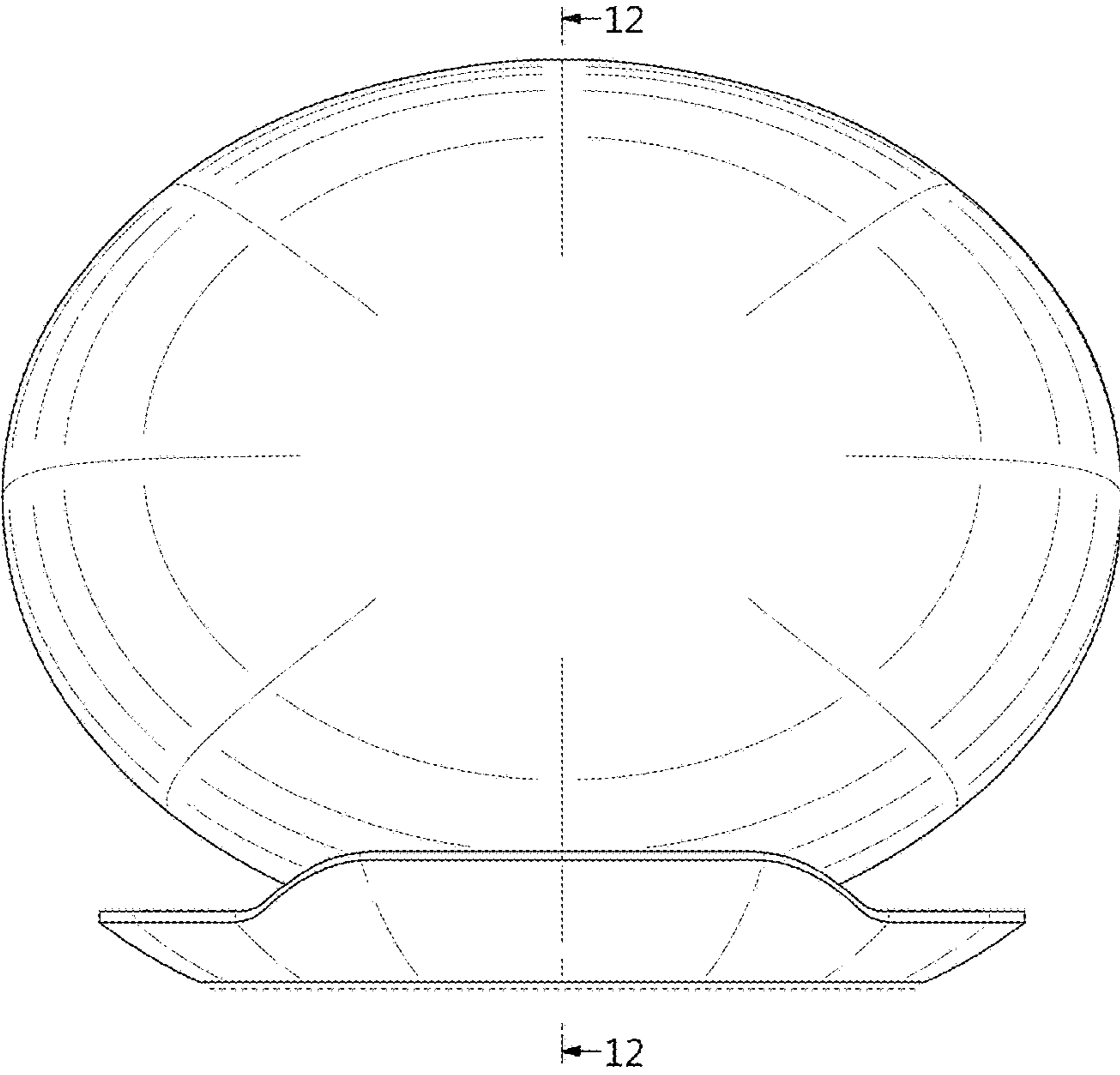


FIG. 3

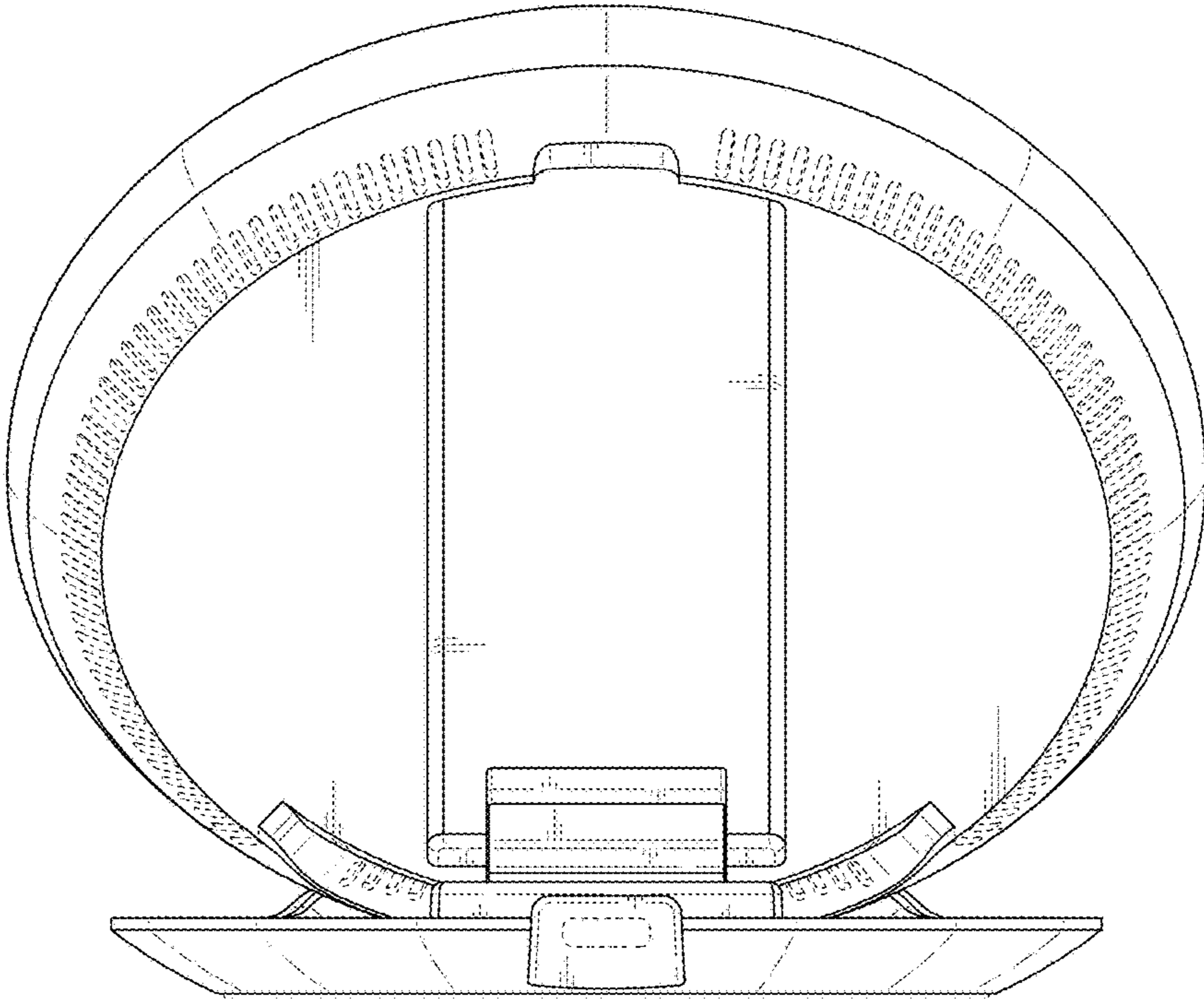


FIG. 4

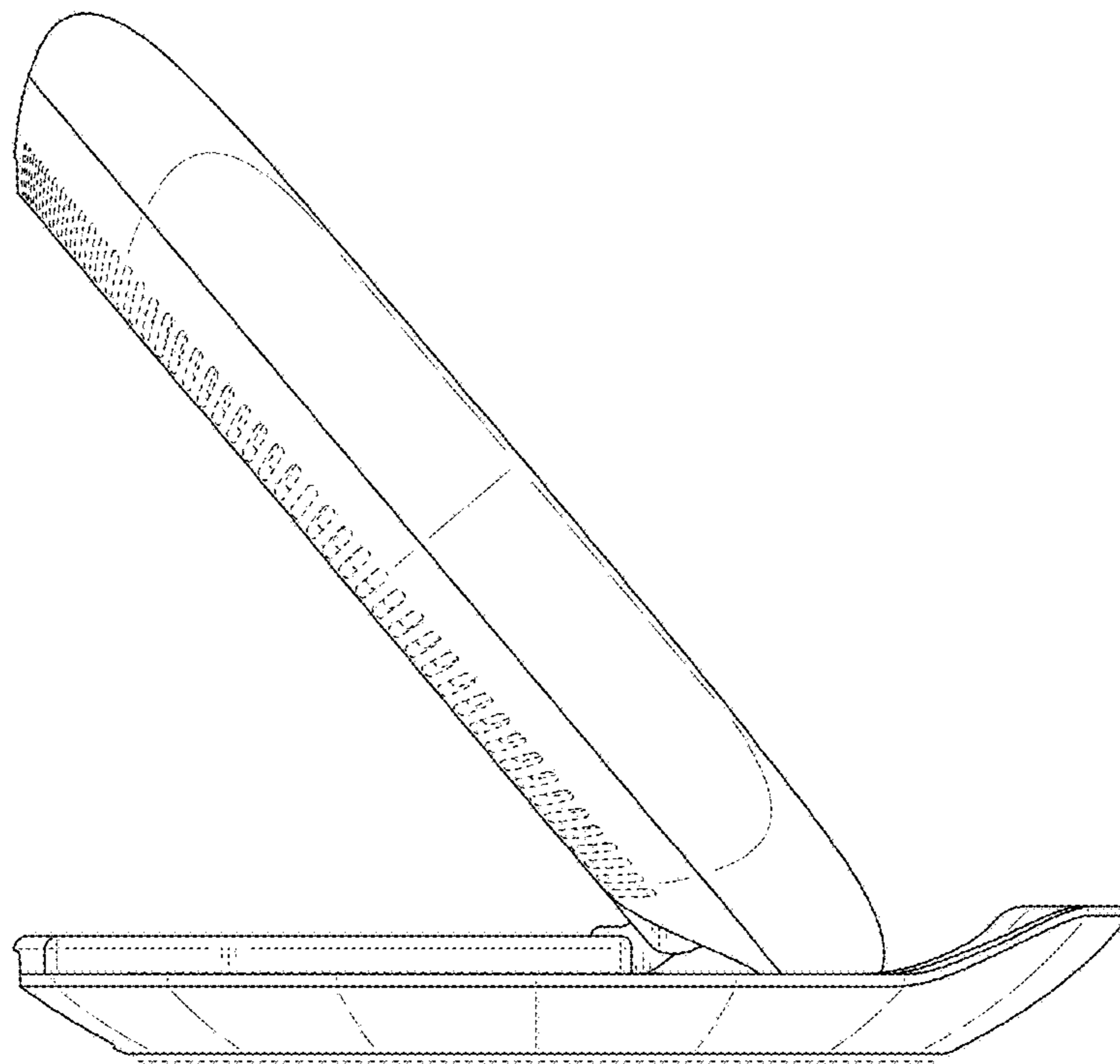


FIG. 5

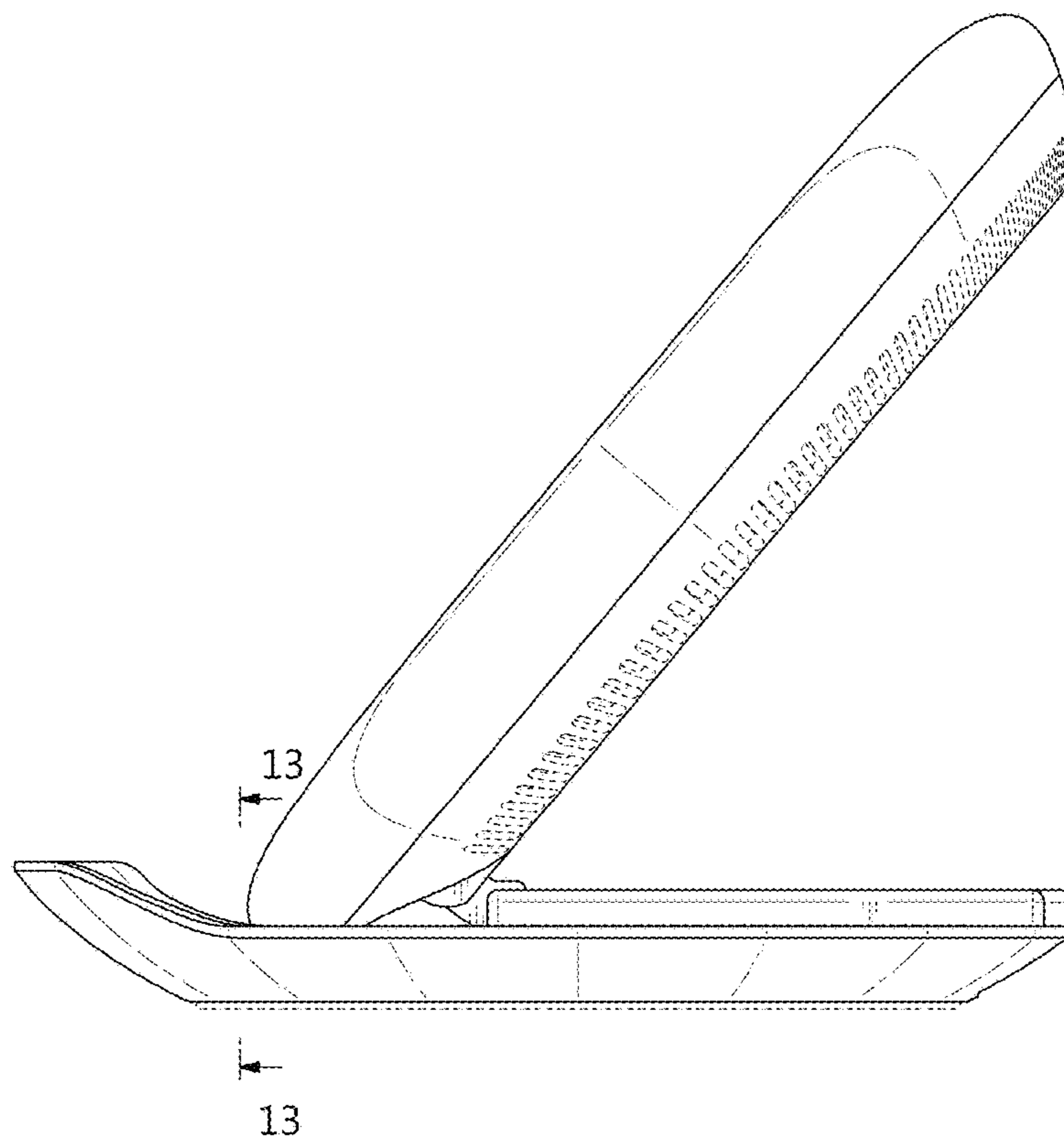


FIG. 6

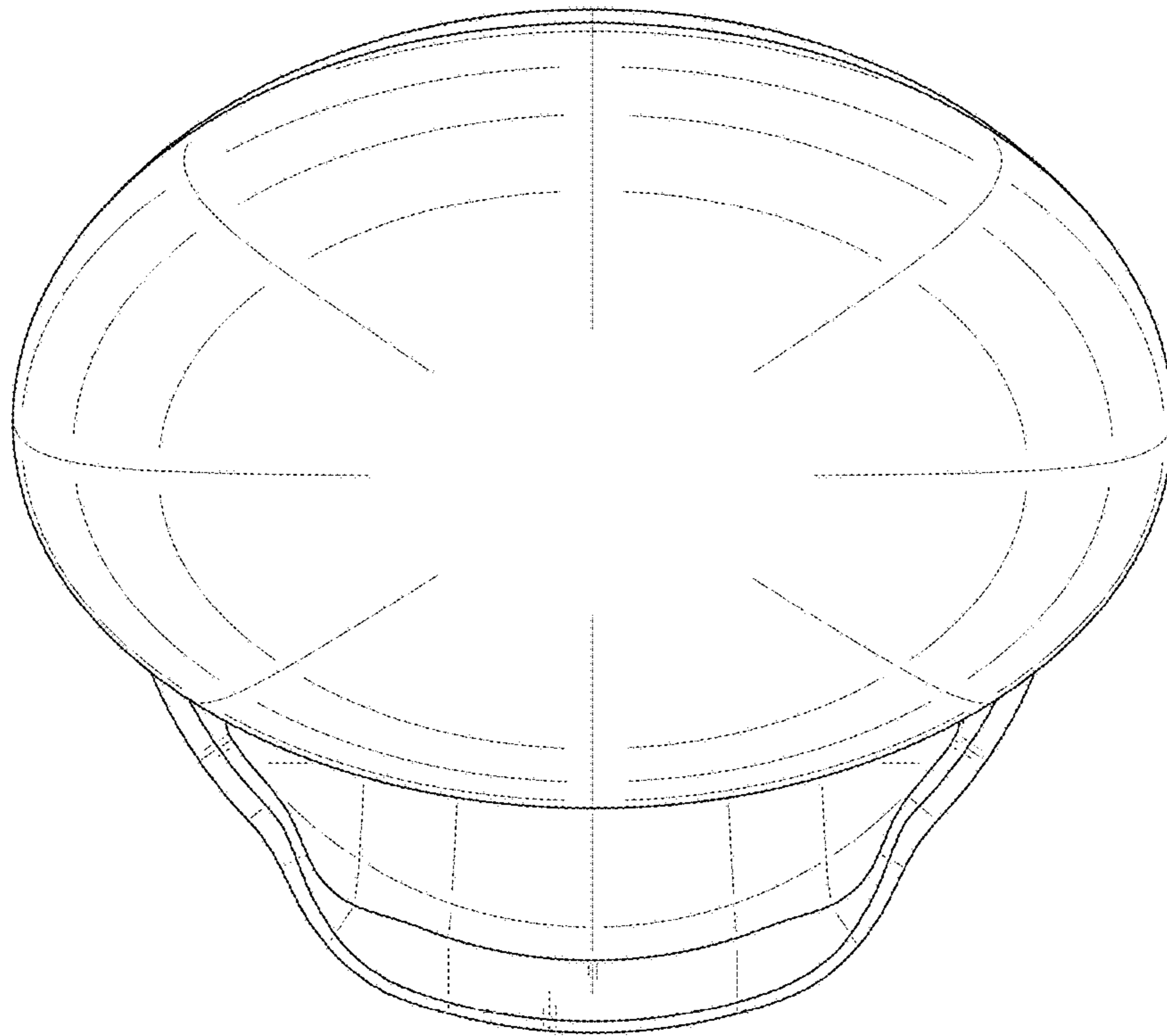


FIG. 7

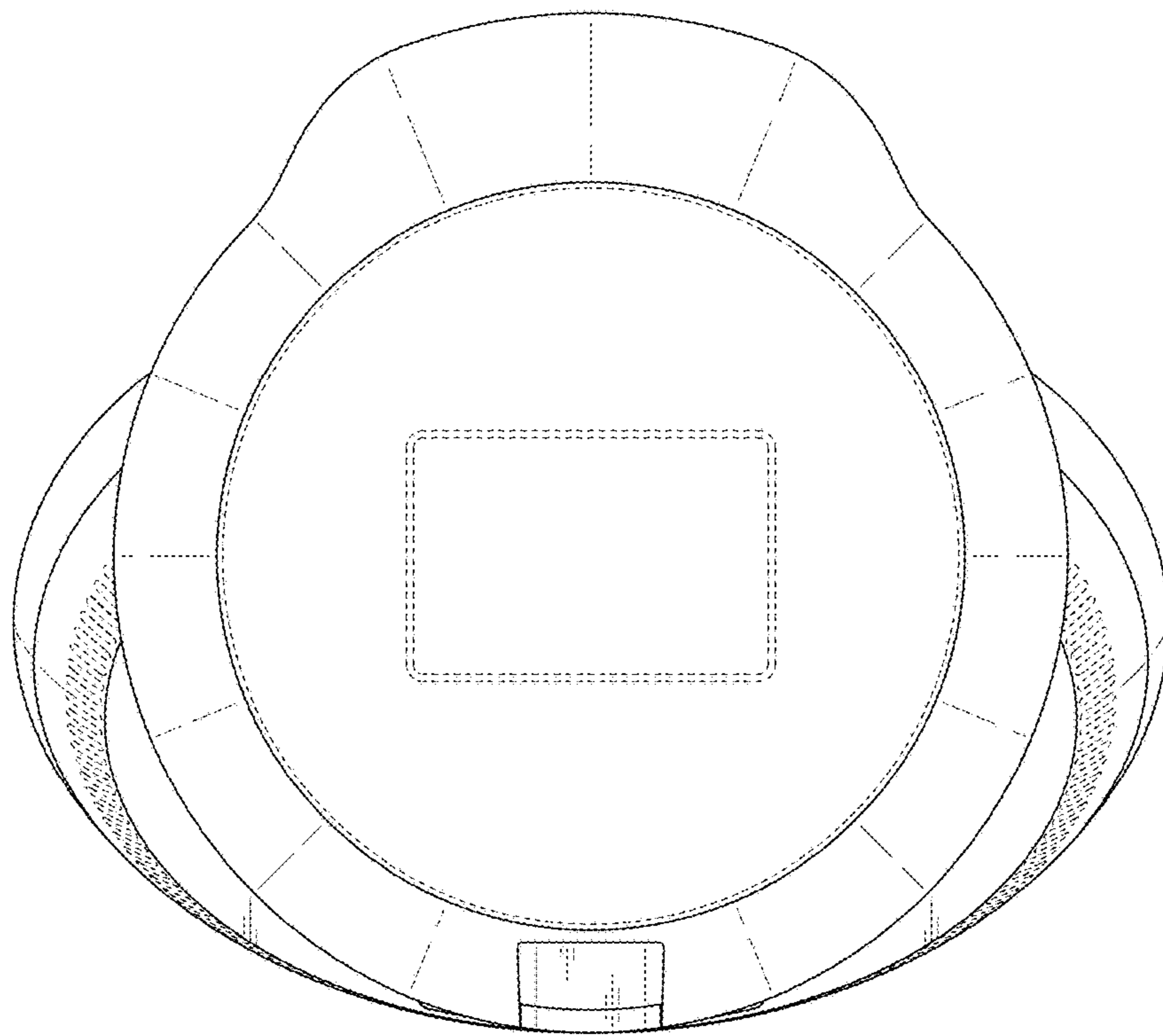


FIG. 8

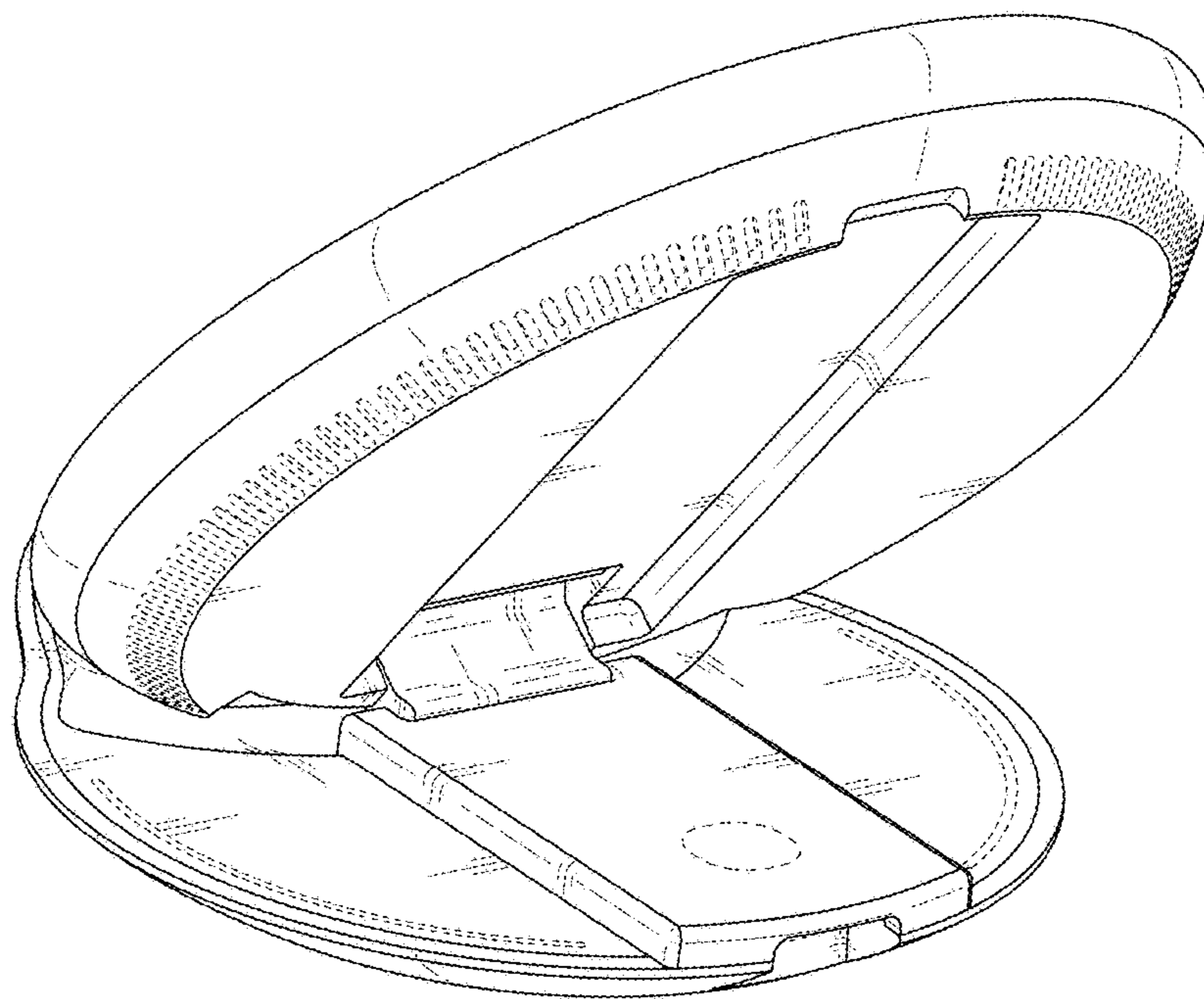


FIG. 9

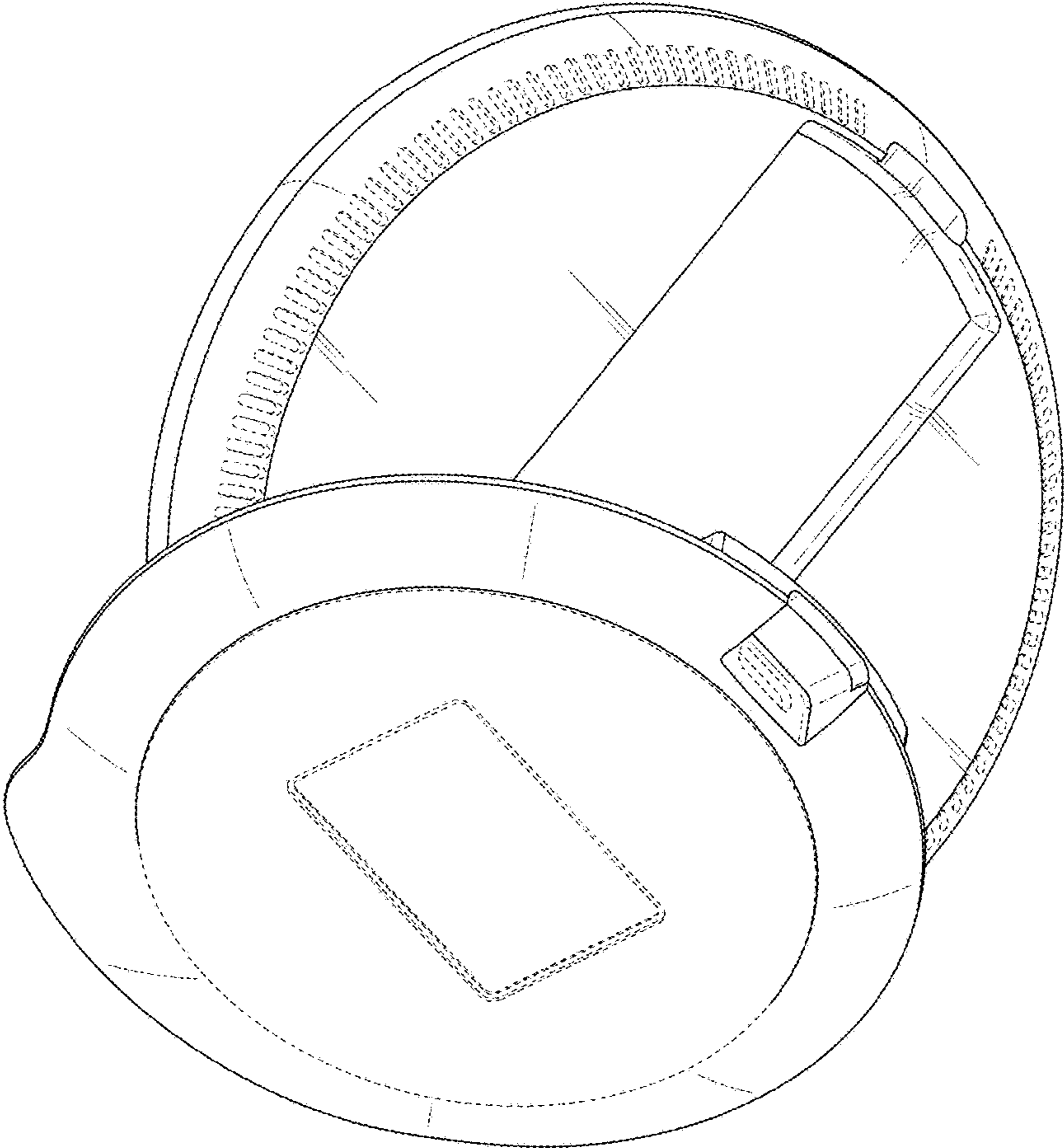


FIG. 10

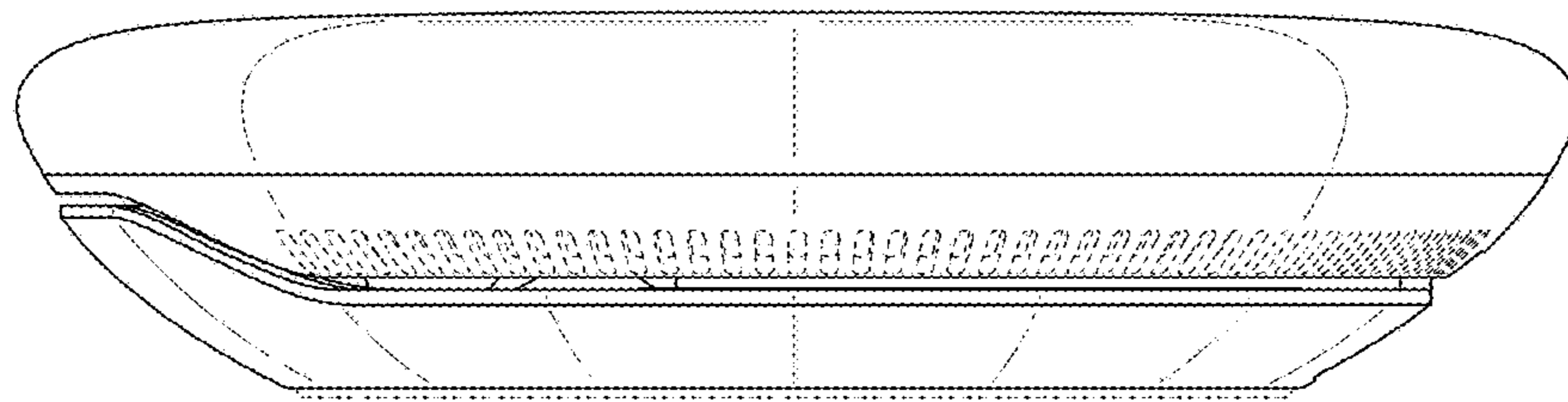


FIG. 11

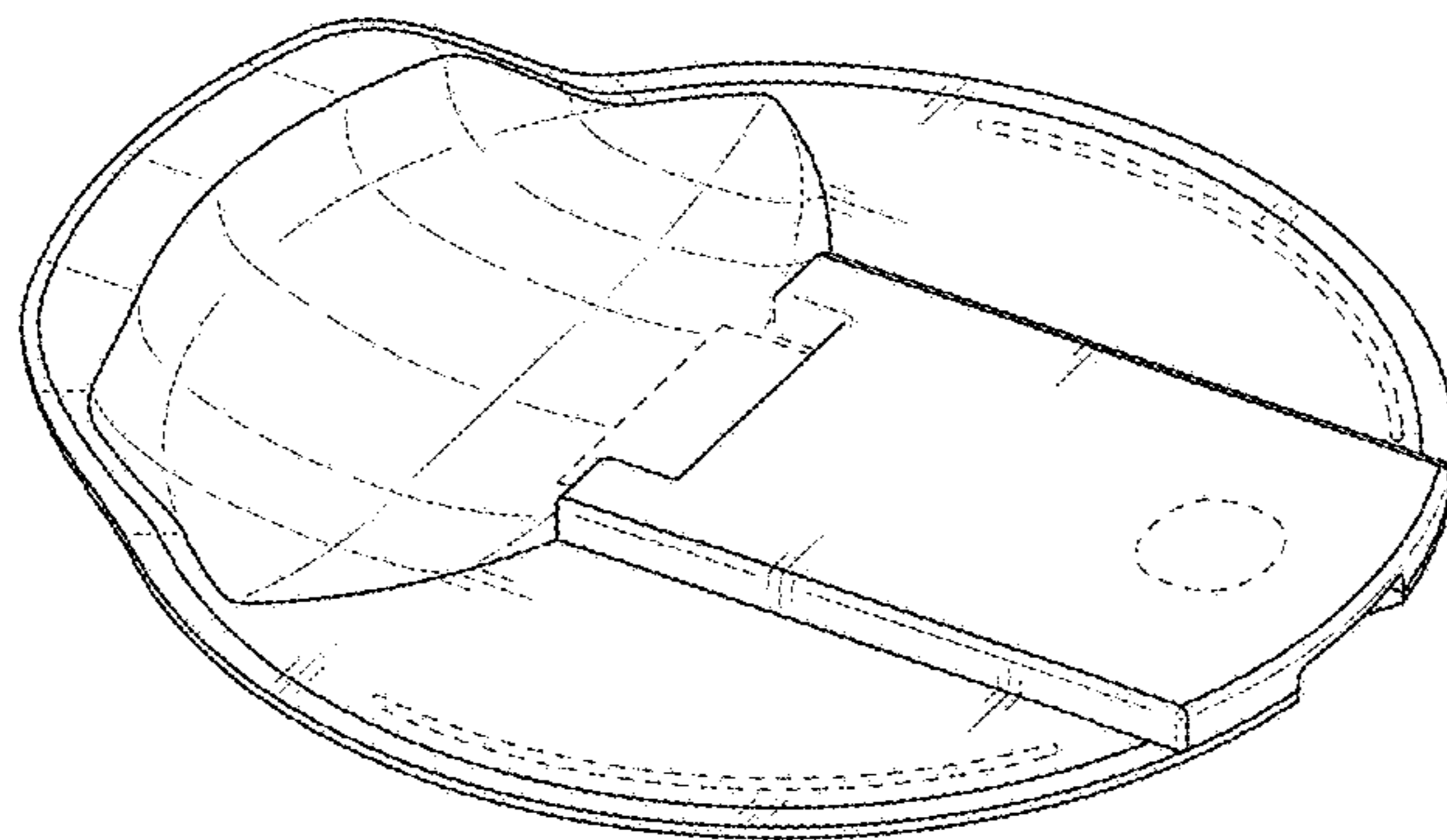


FIG. 12

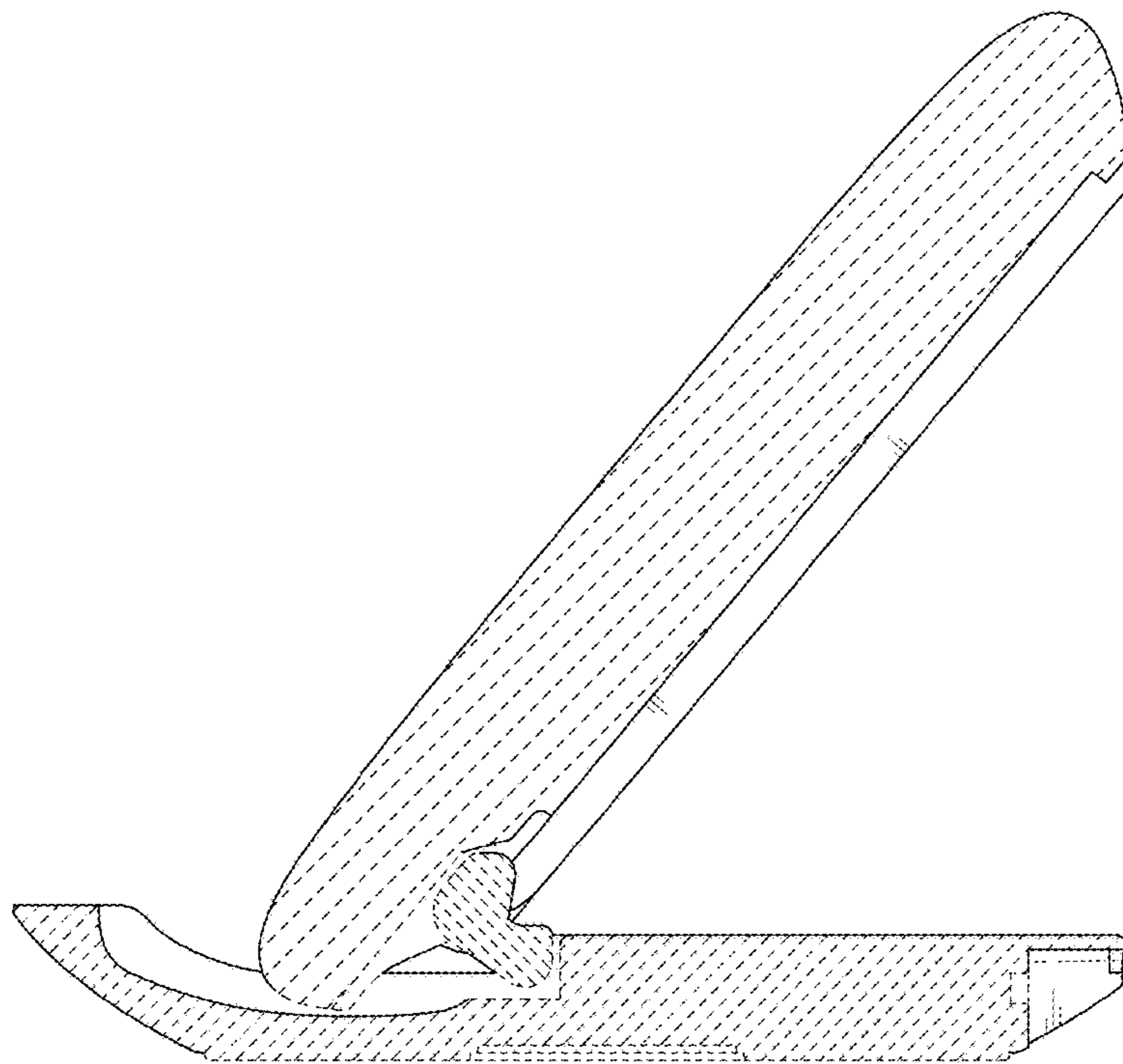


FIG. 13

