



US00D841577S

(12) **United States Design Patent**  
**Kim et al.**

(10) **Patent No.:** **US D841,577 S**

(45) **Date of Patent:** **\*\* Feb. 26, 2019**

(54) **WIRELESS CHARGER**

(71) Applicant: **SAMSUNG ELECTRONICS CO., LTD.**, Suwon-si (KR)

(72) Inventors: **Jinwook Kim**, Yongin-si (KR);  
**Jaehyung Kim**, Gwangju-si (KR);  
**Eunha Choi**, Yongin-si (KR)

(73) Assignee: **Samsung Electronics Co., Ltd.**, Suwon-si (KR)

(\*\*) Term: **15 Years**

(21) Appl. No.: **29/596,886**

(22) Filed: **Mar. 13, 2017**

(30) **Foreign Application Priority Data**

Nov. 8, 2016 (KR) ..... 30-2016-0053642

(51) **LOC (11) Cl.** ..... **13-02**

(52) **U.S. Cl.**  
USPC ..... **D13/108**

(58) **Field of Classification Search**

USPC ..... D13/107-110, 118-119, 184, 199;  
D14/251, 253, 432, 434  
CPC ..... Y02E 60/12; Y02T 90/14; Y02T 90/122;  
Y02T 90/128; Y02T 90/163; H02J 7/025;  
H02J 7/0042; H02J 7/0044; H02J 7/0045;  
H02J 7/0003; H01F 38/14; H01R  
13/6675; H01M 2/1022; H01M 2/1055;  
H01M 10/44; H01M 10/46; H01M  
10/425; B60L 11/182

See application file for complete search history.

(56) **References Cited**

**U.S. PATENT DOCUMENTS**

D475,417 S \* 6/2003 Wintersteiger ..... D14/432  
D532,039 S \* 11/2006 Beck ..... D18/50  
D537,409 S \* 2/2007 Suzuki ..... D13/108

D594,404 S \* 6/2009 Kuo ..... D13/107  
D627,718 S \* 11/2010 Houghton ..... D13/108  
D654,431 S \* 2/2012 Stephanchick ..... D13/108

(Continued)

**FOREIGN PATENT DOCUMENTS**

EM 002370288-0001 6/2014  
KR 30-2005-0029112 7/2006  
KR 30-2015-0054333 4/2016

*Primary Examiner* — Rosemary K Tarcza

(74) *Attorney, Agent, or Firm* — NSIP Law

(57) **CLAIM**

We claim the ornamental design for a wireless charger, as shown and described.

**DESCRIPTION**

FIG. 1 is a front perspective view of a wireless charger showing our new design;

FIG. 2 is a front view thereof;

FIG. 3 is a rear view thereof;

FIG. 4 is a left-side view thereof;

FIG. 5 is a right-side view thereof;

FIG. 6 is a top view thereof;

FIG. 7 is a bottom view thereof;

FIG. 8 is a rear perspective view thereof;

FIG. 9 is a bottom rear perspective view thereof;

FIG. 10 is a right-side view of the wireless charger shown in a closed position;

FIG. 11 is a perspective view of the wireless charger in which the lower portion is shown separated;

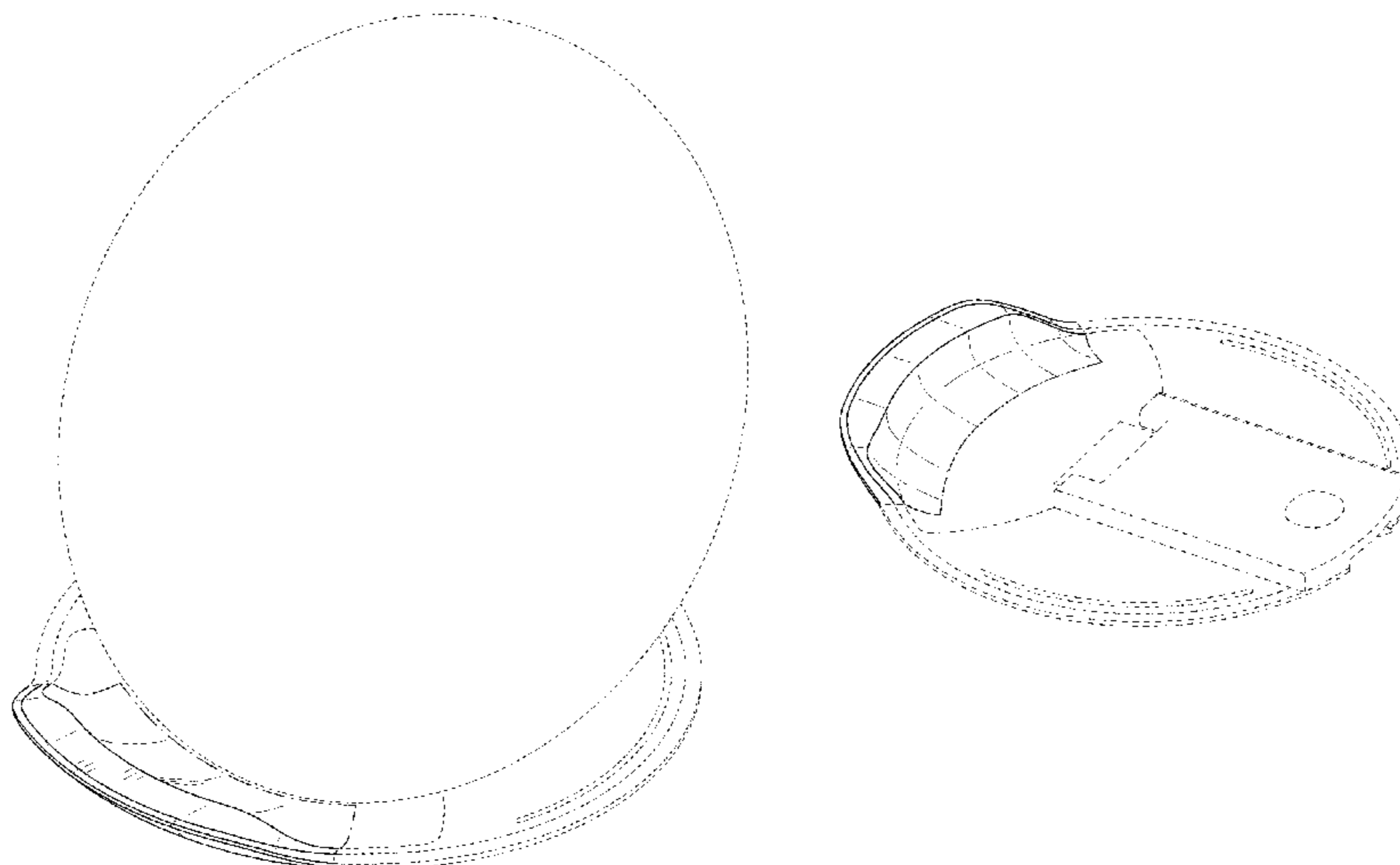
FIG. 12 is a cross-sectional view taken along the line 12-12 of FIG. 2; and,

FIG. 13 is a cross-sectional view taken along the line 13-13 of FIG. 5.

The short dash-dash broken lines in the figures depict environmental subject matter and form no part of the claimed design.

The dot-dash broken lines define boundaries of the claimed design and form no part thereof.

**1 Claim, 13 Drawing Sheets**



(56)

**References Cited**

U.S. PATENT DOCUMENTS

D682,200	S	*	5/2013	Rautiainen .....	D13/108
D712,827	S	*	9/2014	Maeda .....	D13/108
D748,575	S	*	2/2016	Bulgarov .....	D13/108
D749,507	S	*	2/2016	Choi .....	D13/108
D750,020	S	*	2/2016	Song .....	D13/108
D776,054	S	*	1/2017	Cmich .....	D13/108
D777,103	S	*	1/2017	Park .....	D13/108
D788,034	S	*	5/2017	Gschwandtl .....	D13/108
D789,295	S	*	6/2017	Nuk .....	D13/108
D797,667	S	*	9/2017	Park .....	D13/108
D797,668	S	*	9/2017	Park .....	D13/108
D802,529	S	*	11/2017	Andersson .....	D13/108
D804,414	S	*	12/2017	Tang .....	D13/108
D806,081	S	*	12/2017	Avganim .....	D14/440

\* cited by examiner

FIG. 1

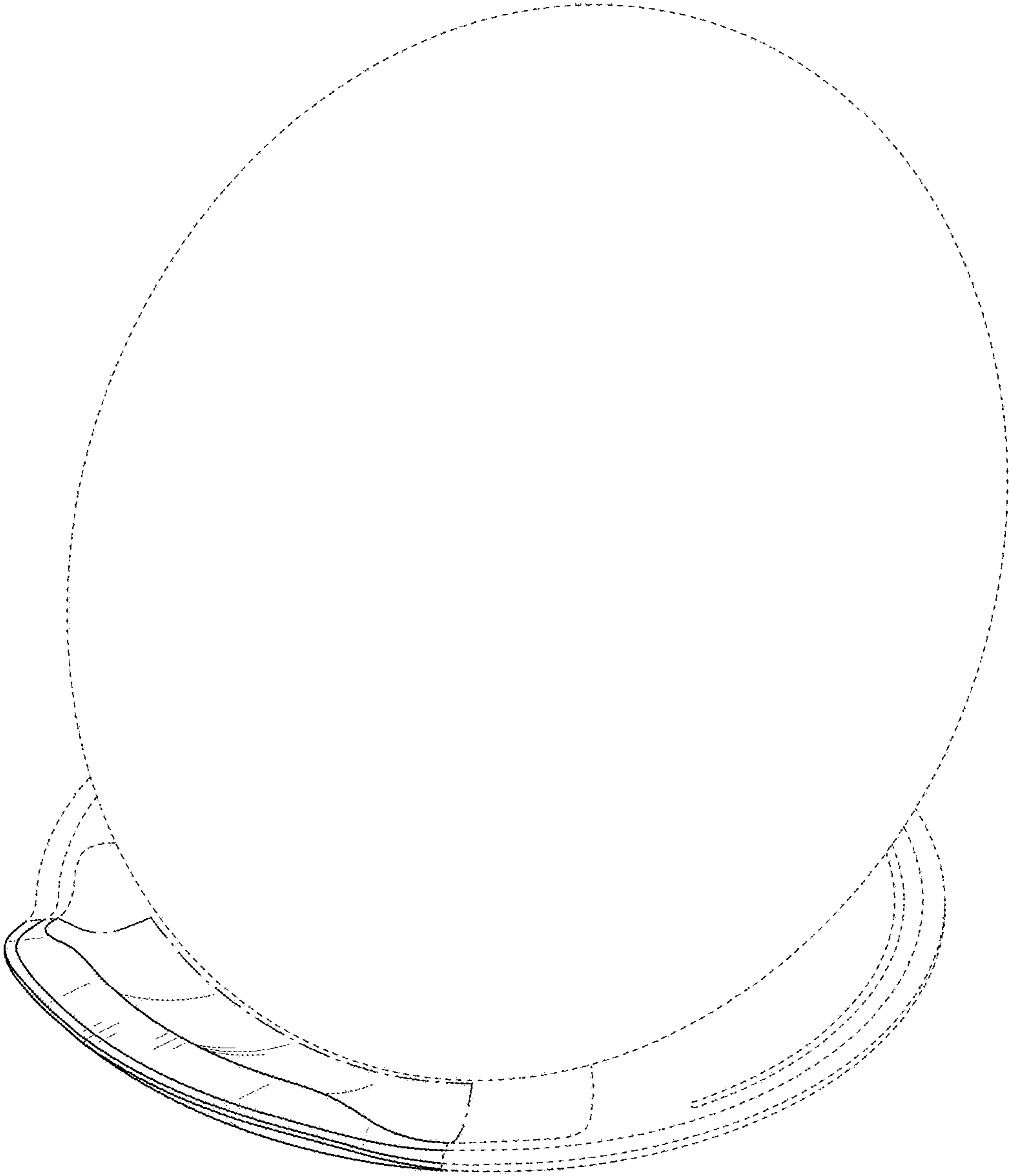


FIG. 2

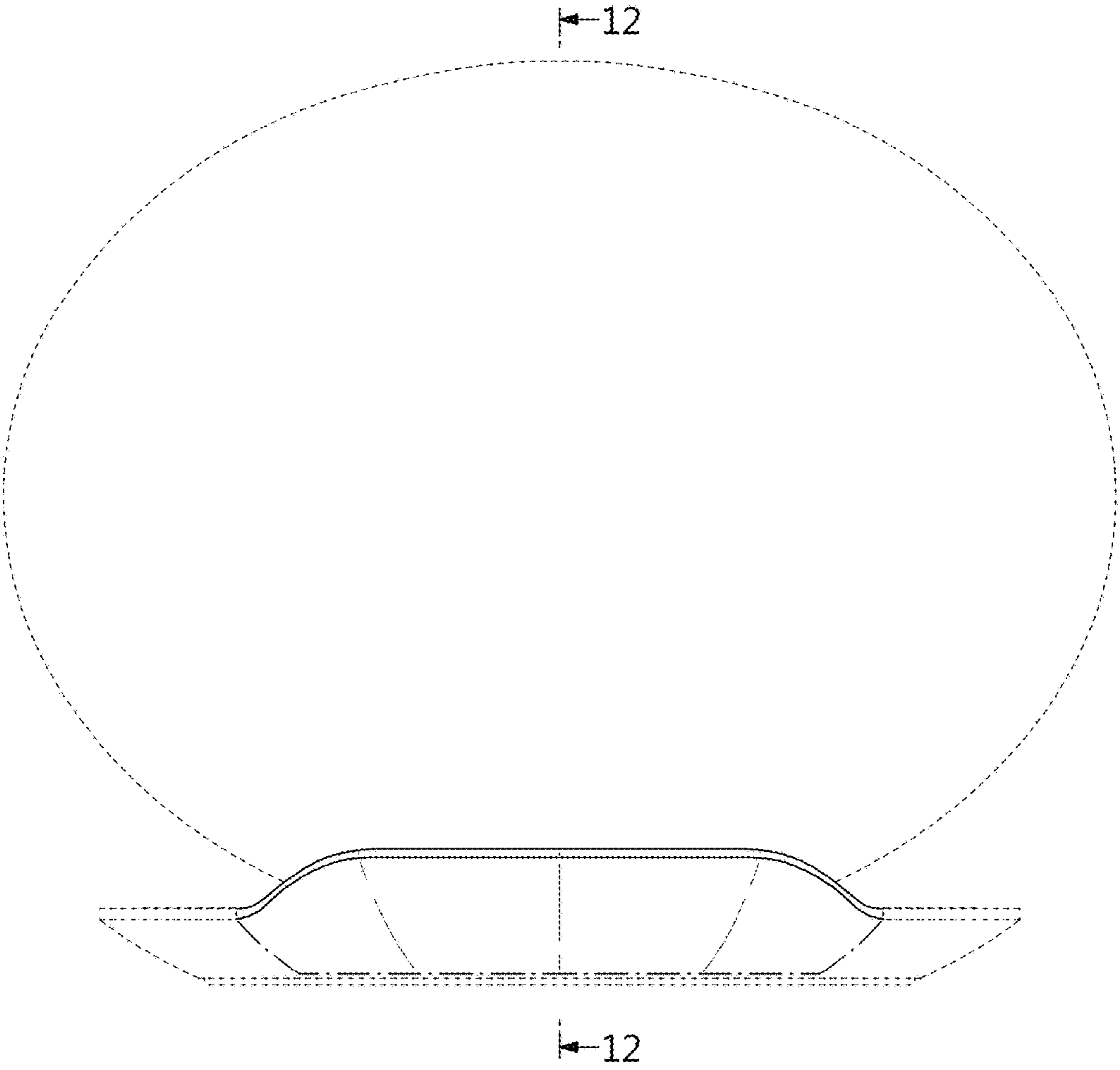


FIG. 3

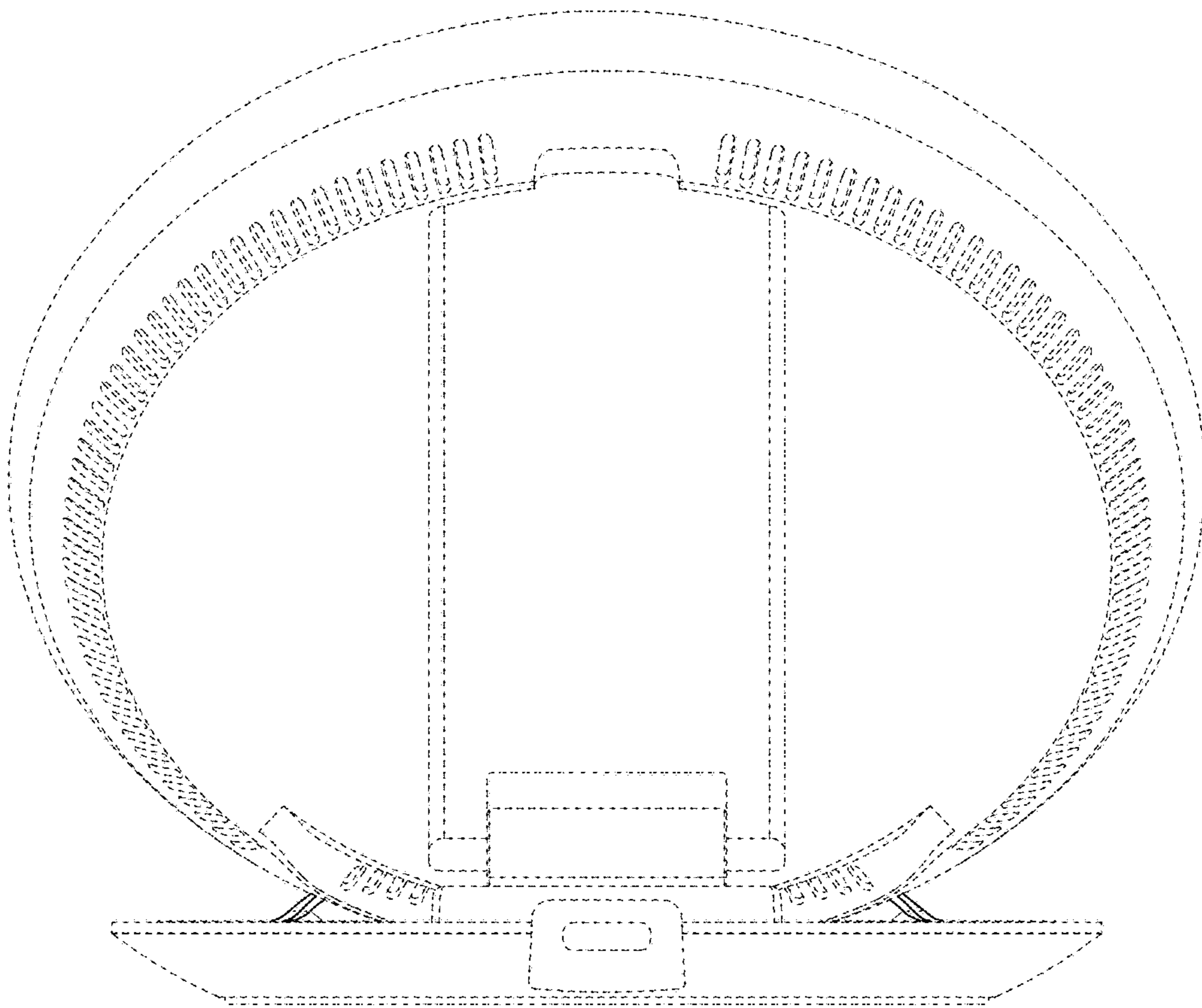


FIG. 4

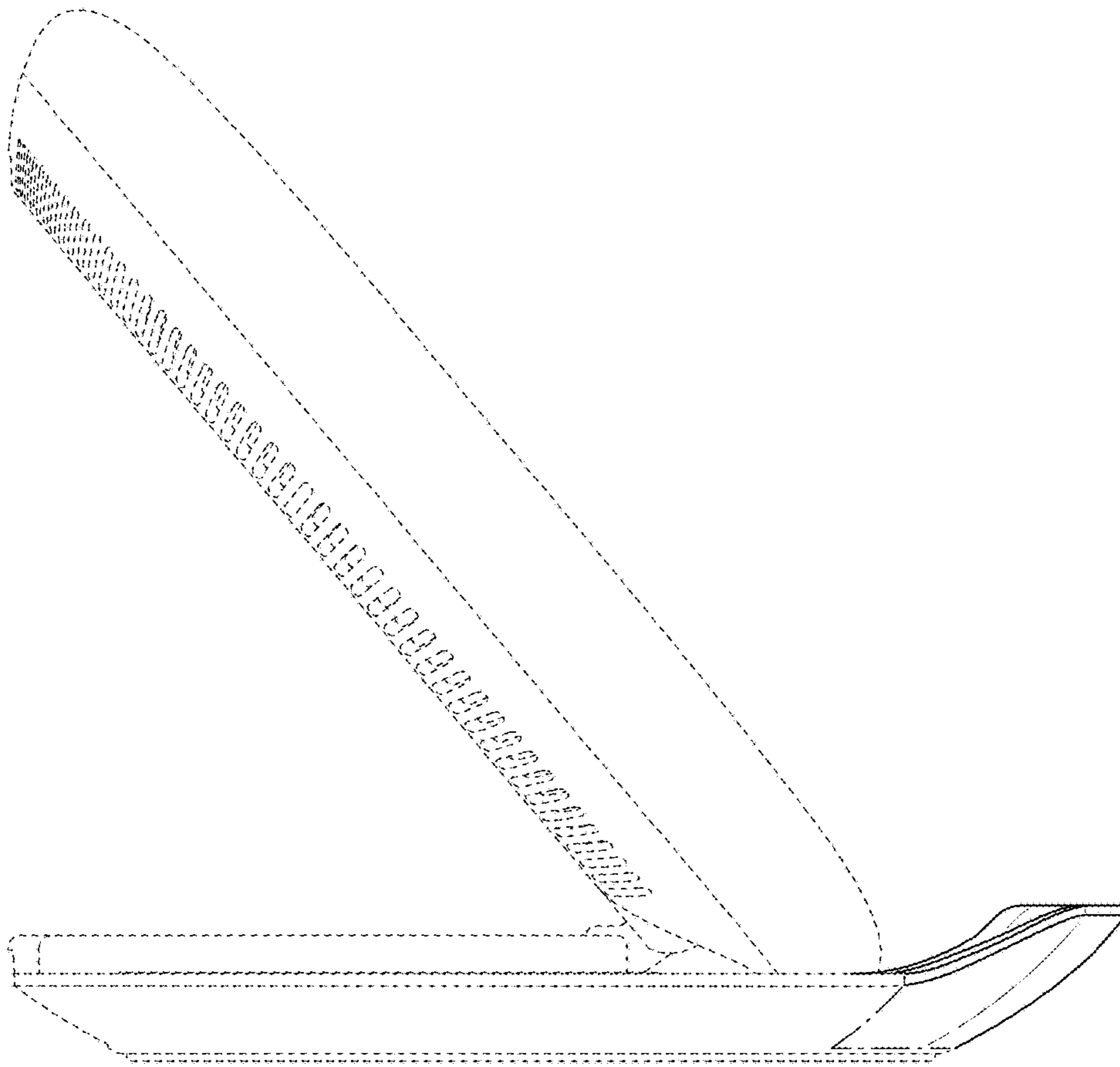


FIG. 5

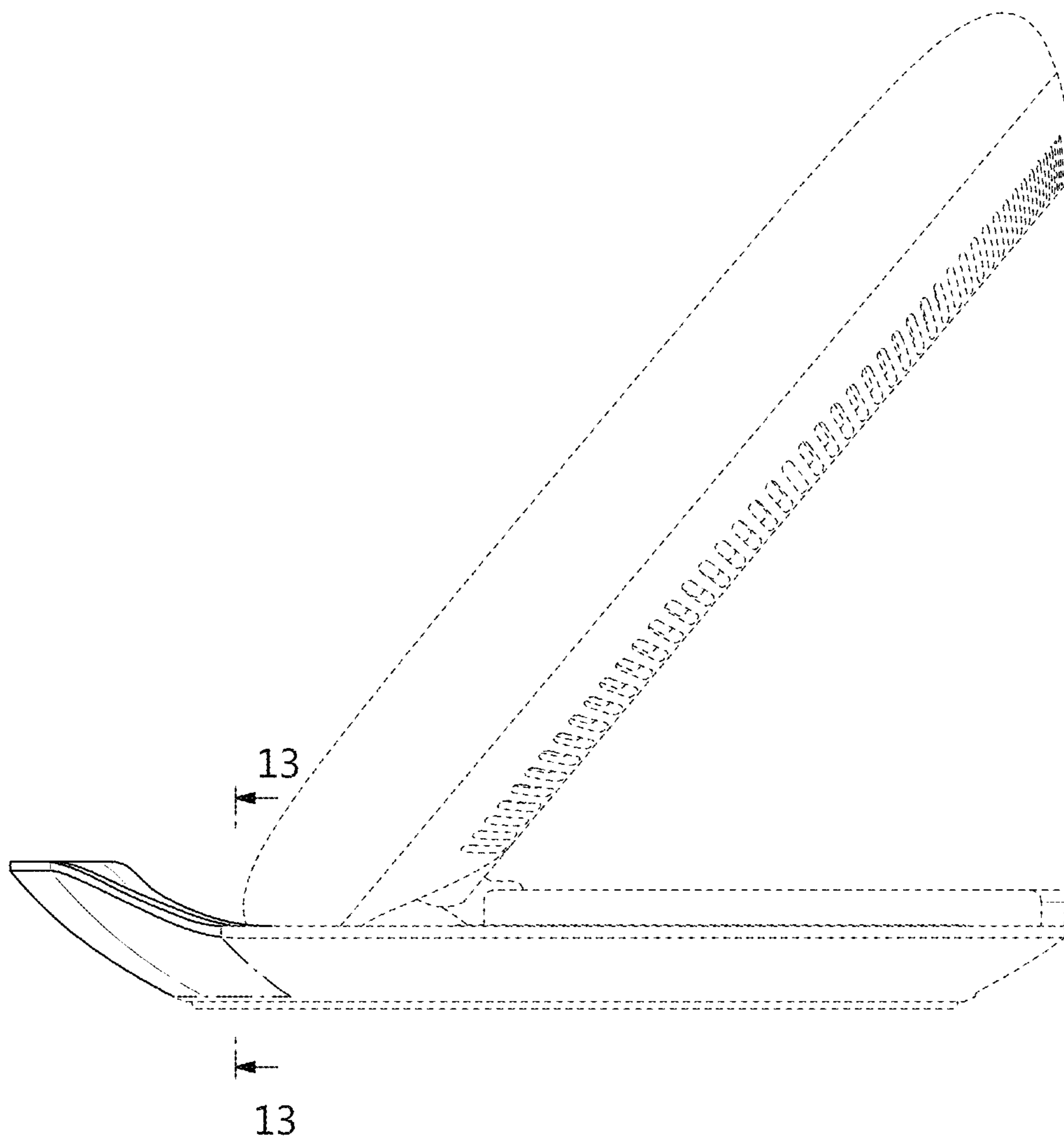


FIG. 6

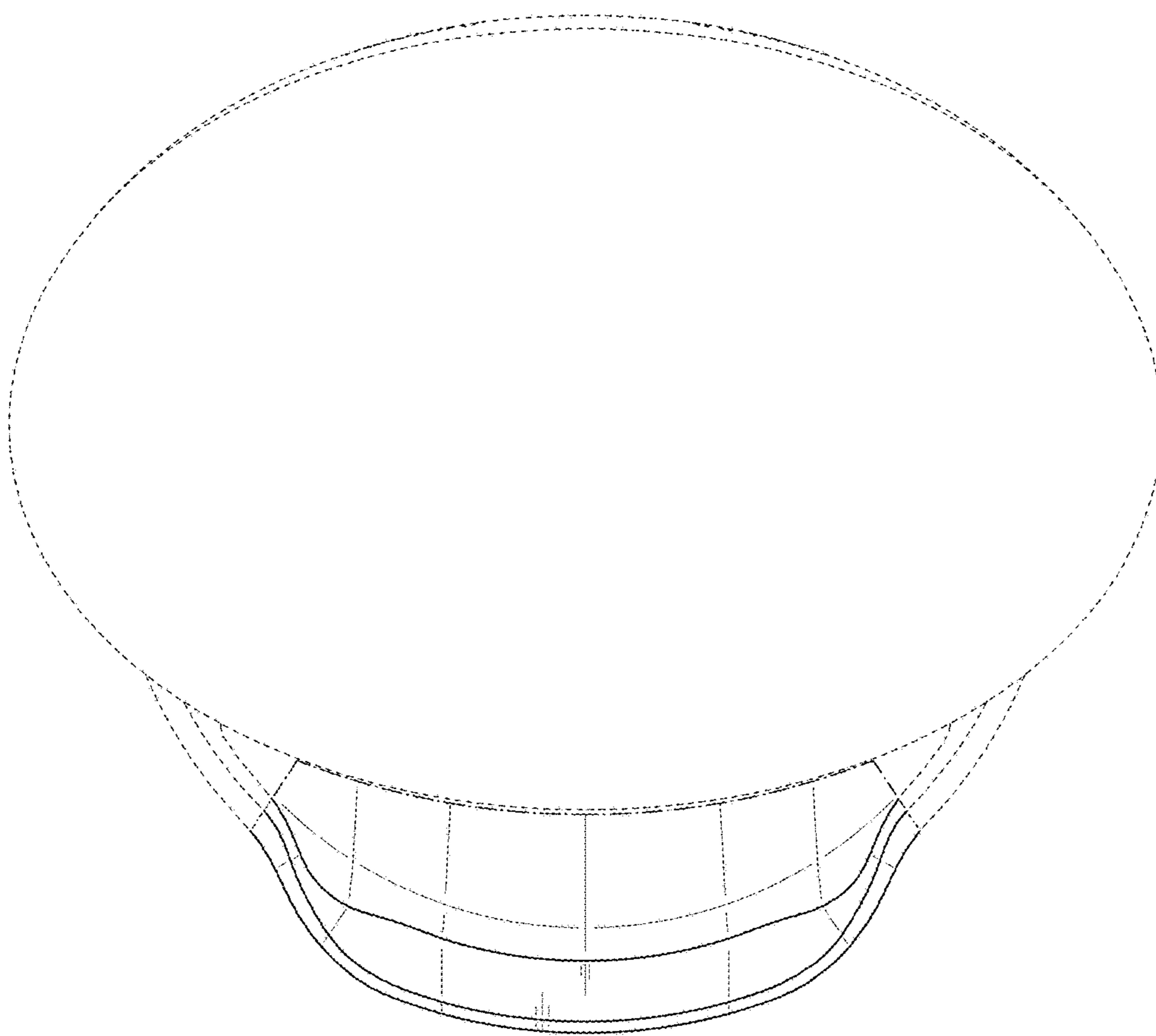




FIG. 7

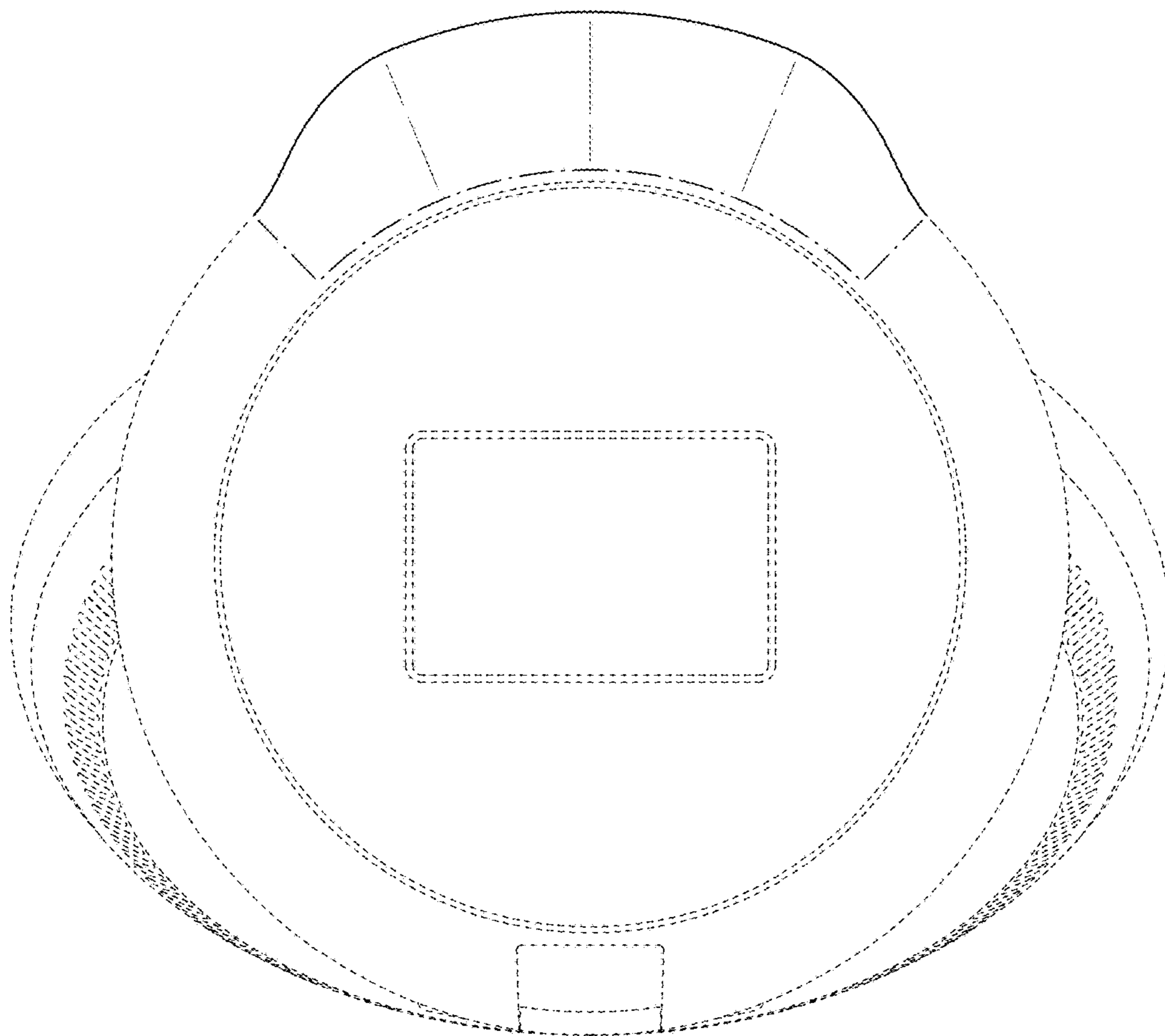


FIG. 8

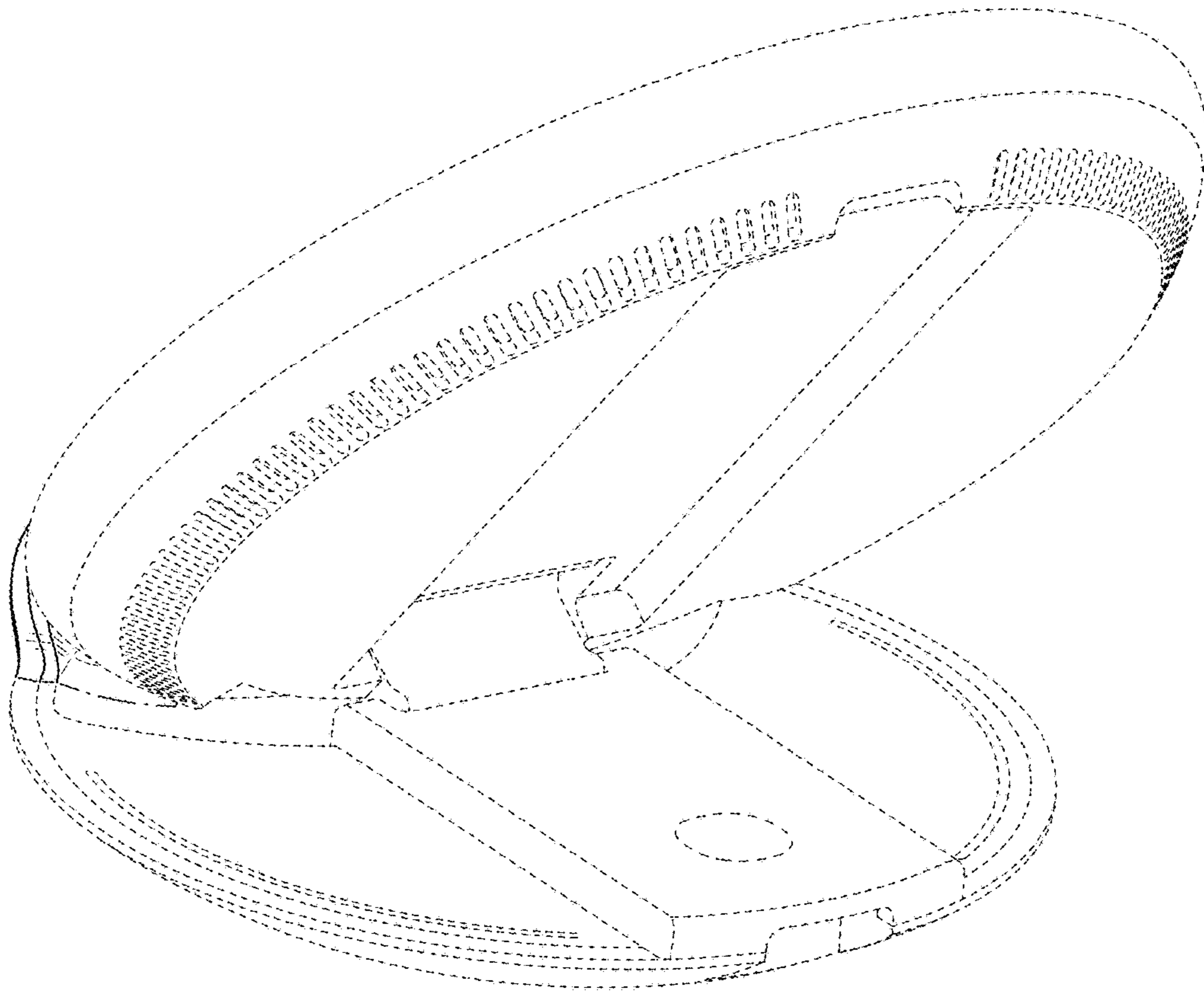


FIG. 9

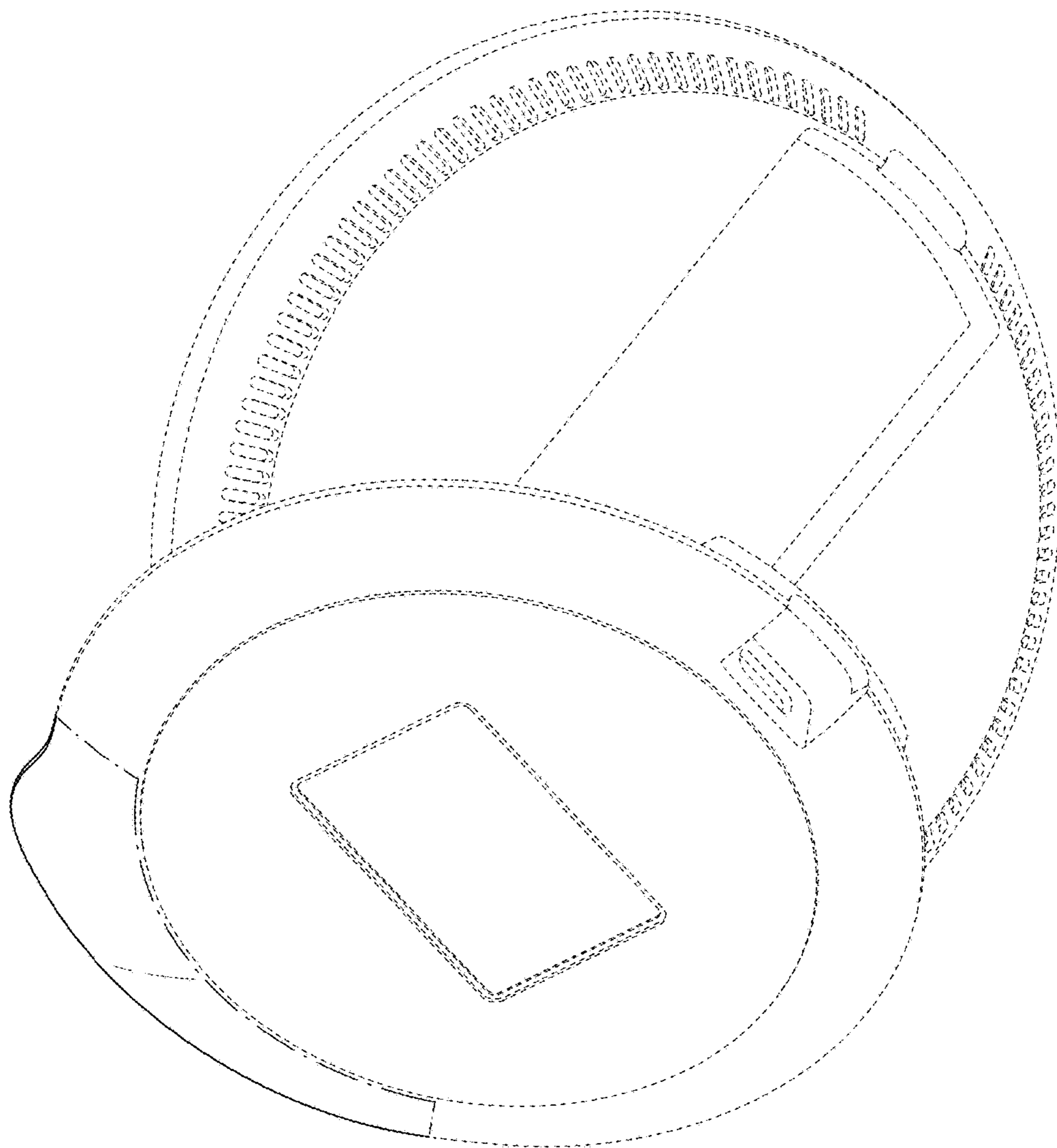


FIG. 10

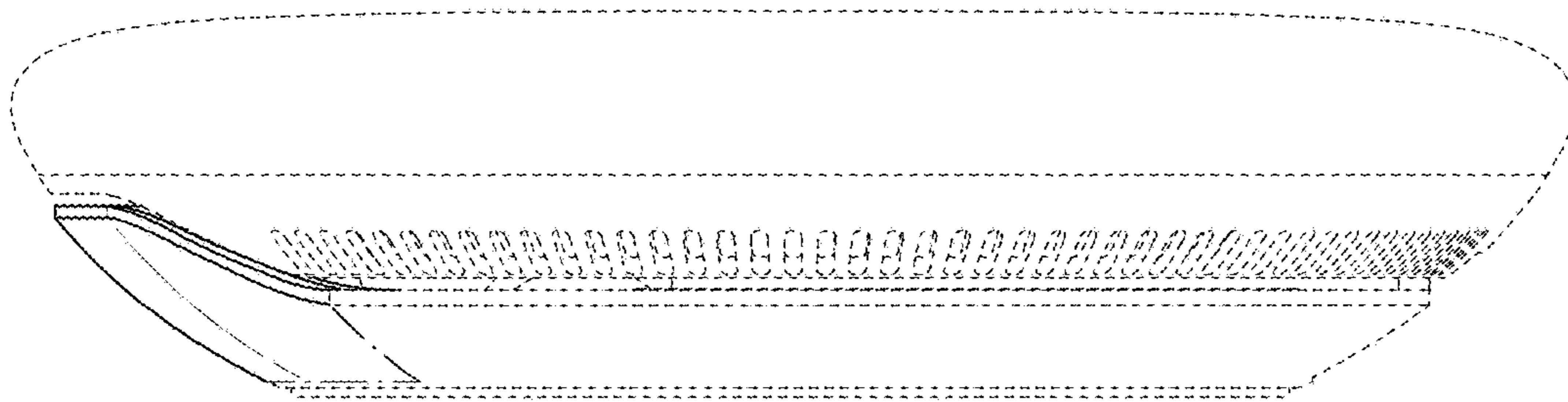


FIG. 11

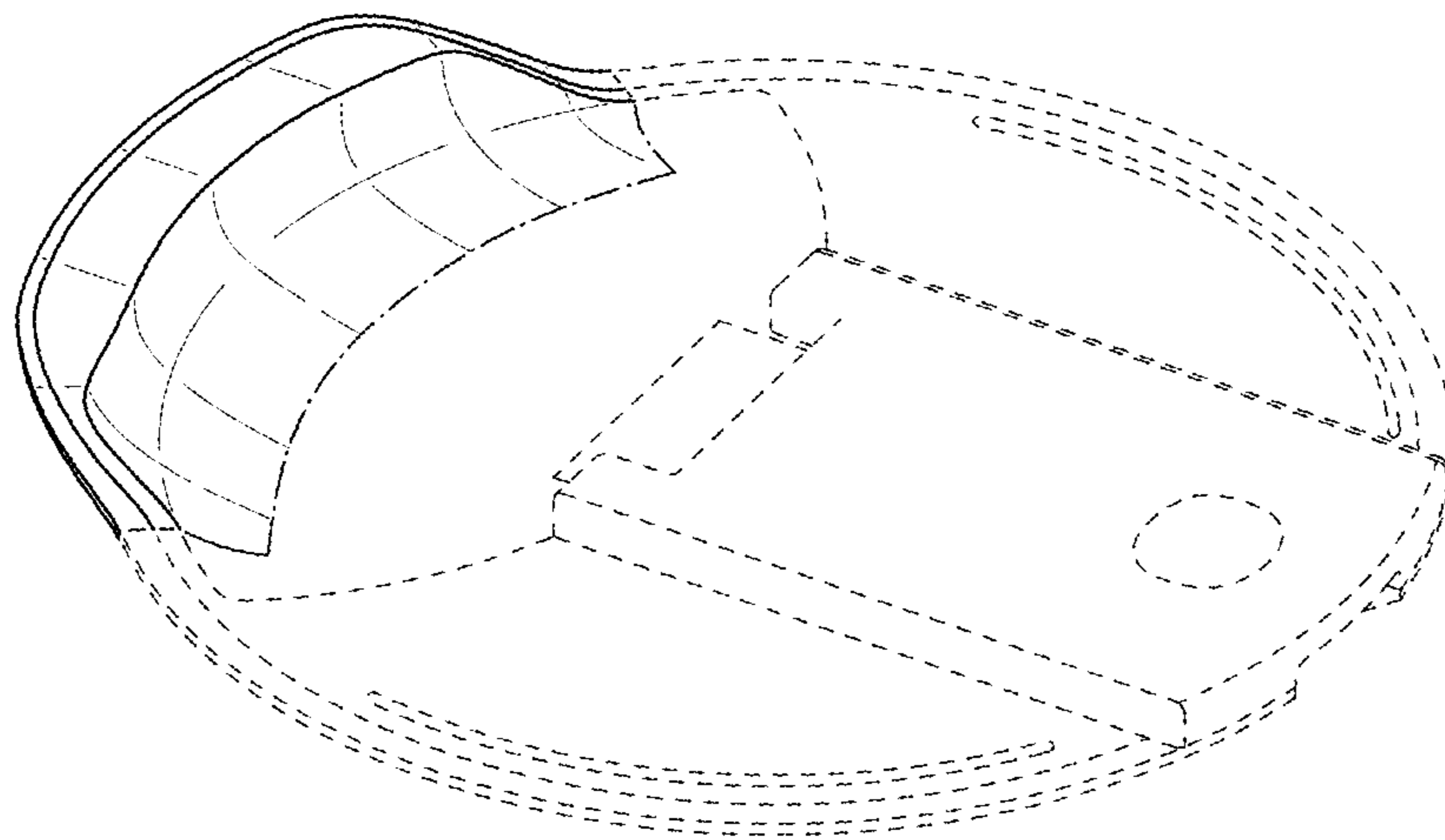


FIG. 12

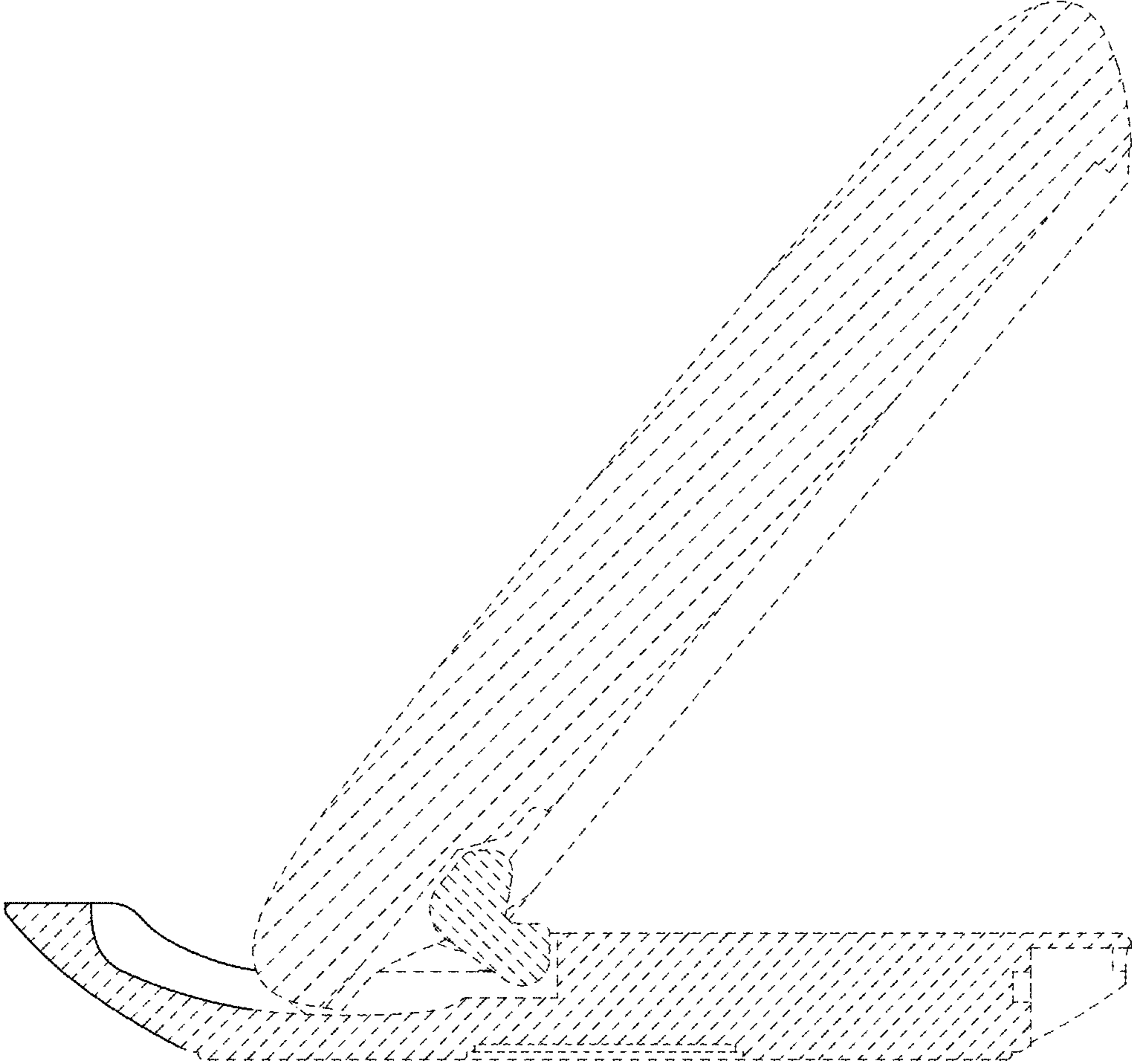


FIG. 13

