



US00D841576S

(12) **United States Design Patent** (10) **Patent No.:** **US D841,576 S**
Nauroy (45) **Date of Patent:** **** Feb. 26, 2019**

(54) **CHARGING DOCK**
(71) Applicant: **Design Pool Limited**, Sheung Wan (HK)
(72) Inventor: **Fabien Malcom Nauroy**, Sheung Wan (HK)
(73) Assignee: **DESIGN POOL LIMITED**, Sheung Wan (HK)
(**) Term: **15 Years**

D734,384 S * 7/2015 Han D14/253
D760,721 S * 7/2016 Akana D14/434
D769,234 S * 10/2016 Rami D14/253
D791,072 S * 7/2017 Hoehn D13/107
D795,876 S * 8/2017 Fletcher D14/434
D797,668 S * 9/2017 Park D13/108
D799,494 S * 10/2017 Lee D14/447
2013/0217448 A1 * 8/2013 Kim H04M 1/0254
455/575.1
2017/0114965 A1 * 4/2017 Maglica F21L 4/085
2017/0288426 A1 * 10/2017 Kim H02J 7/0021
2017/0288429 A1 * 10/2017 Drzymala H02J 7/0027

* cited by examiner

(21) Appl. No.: **29/595,862**
(22) Filed: **Mar. 2, 2017**

Primary Examiner — Rosemary K Tarcza
Assistant Examiner — Nathaniel D. Buckner
(74) *Attorney, Agent, or Firm* — Joseph G. Chu; JCIP

(30) **Foreign Application Priority Data**

Sep. 2, 2016 (HK) 1601674.7M001-M002

(51) **LOC (11) Cl.** **13-02**

(52) **U.S. Cl.**
USPC **D13/108**

(58) **Field of Classification Search**
USPC D13/107–110, 118–119, 184; D14/251,
D14/253, 432, 434
CPC Y02E 60/12; Y02T 90/14; Y02T 90/122;
Y02T 90/128; Y02T 90/163; H02J 7/025;
H02J 7/0042; H02J 7/0044; H02J 7/0045;
H02J 7/0003; H01F 38/14; H01R
13/6675; H01M 2/1022; H01M 2/1055;
H01M 10/44; H01M 10/46; H01M
10/425; B60L 11/182

See application file for complete search history.

(56) **References Cited**

U.S. PATENT DOCUMENTS

D575,289 S * 8/2008 Kuo D14/434
D722,964 S * 2/2015 Regole D13/103

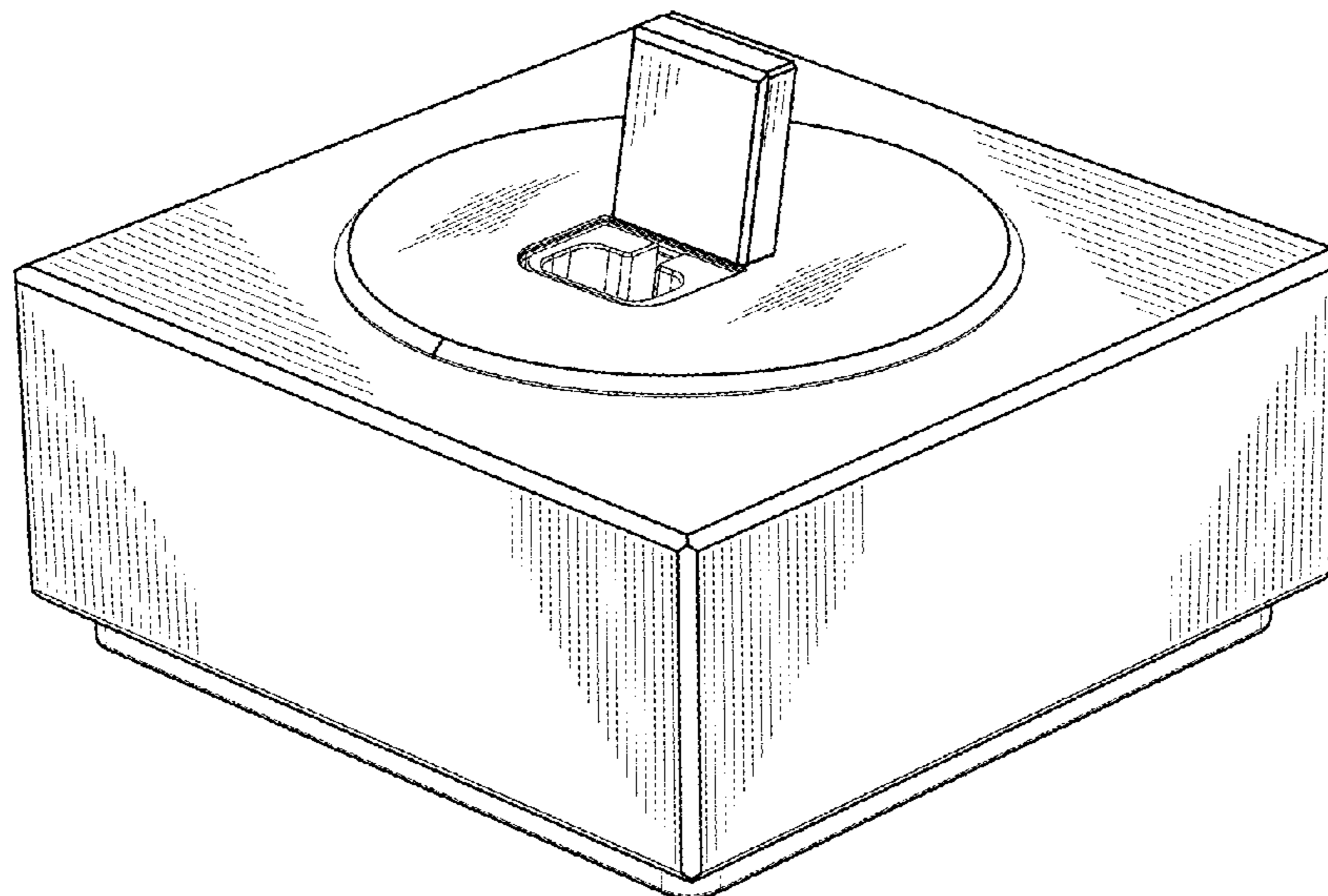
(57) **CLAIM**

I claim the ornamental design for the charging dock, as shown and described.

DESCRIPTION

FIG. 1 is a front view of a charging dock;
FIG. 2 is a rear view of the charging dock;
FIG. 3 is a top view of the charging dock;
FIG. 4 is a bottom view of the charging dock;
FIG. 5 is a left side view of the charging dock;
FIG. 6 is a right side view of the charging dock; and,
FIG. 7 is a front perspective view of the charging dock.
The broken lines in the figures represent portions of the article which form no part of the claim.

1 Claim, 7 Drawing Sheets



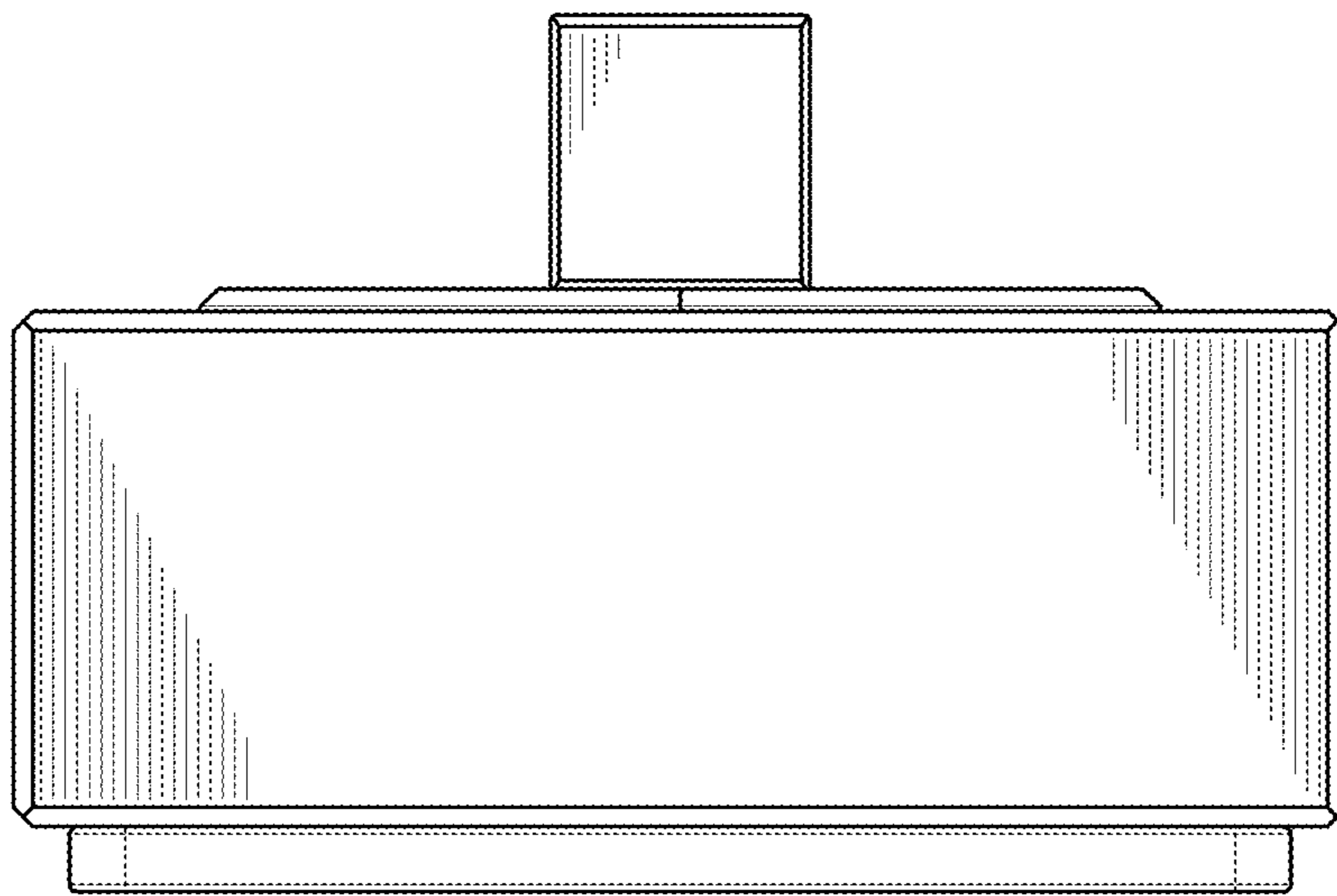


FIG. 1

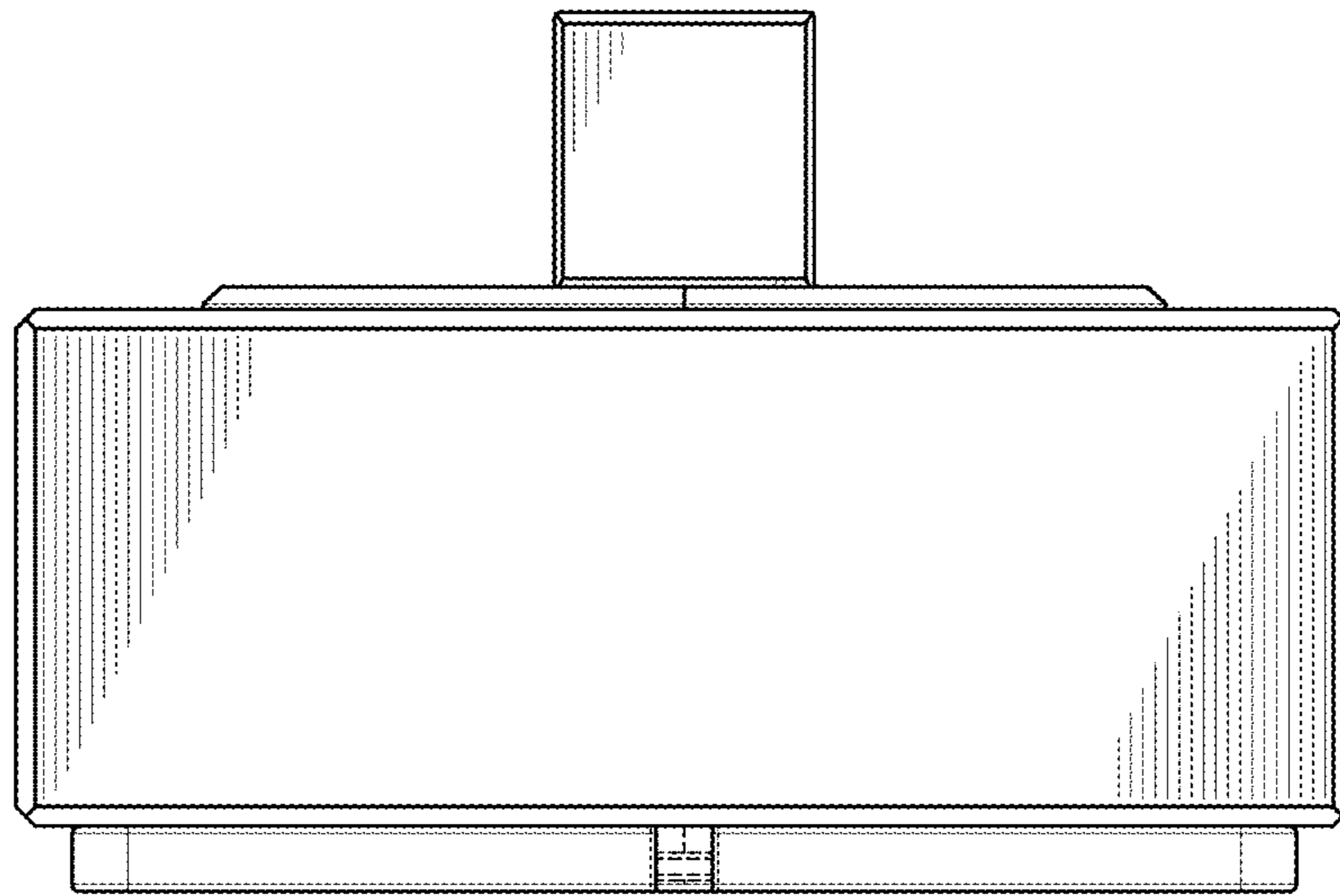


FIG. 2

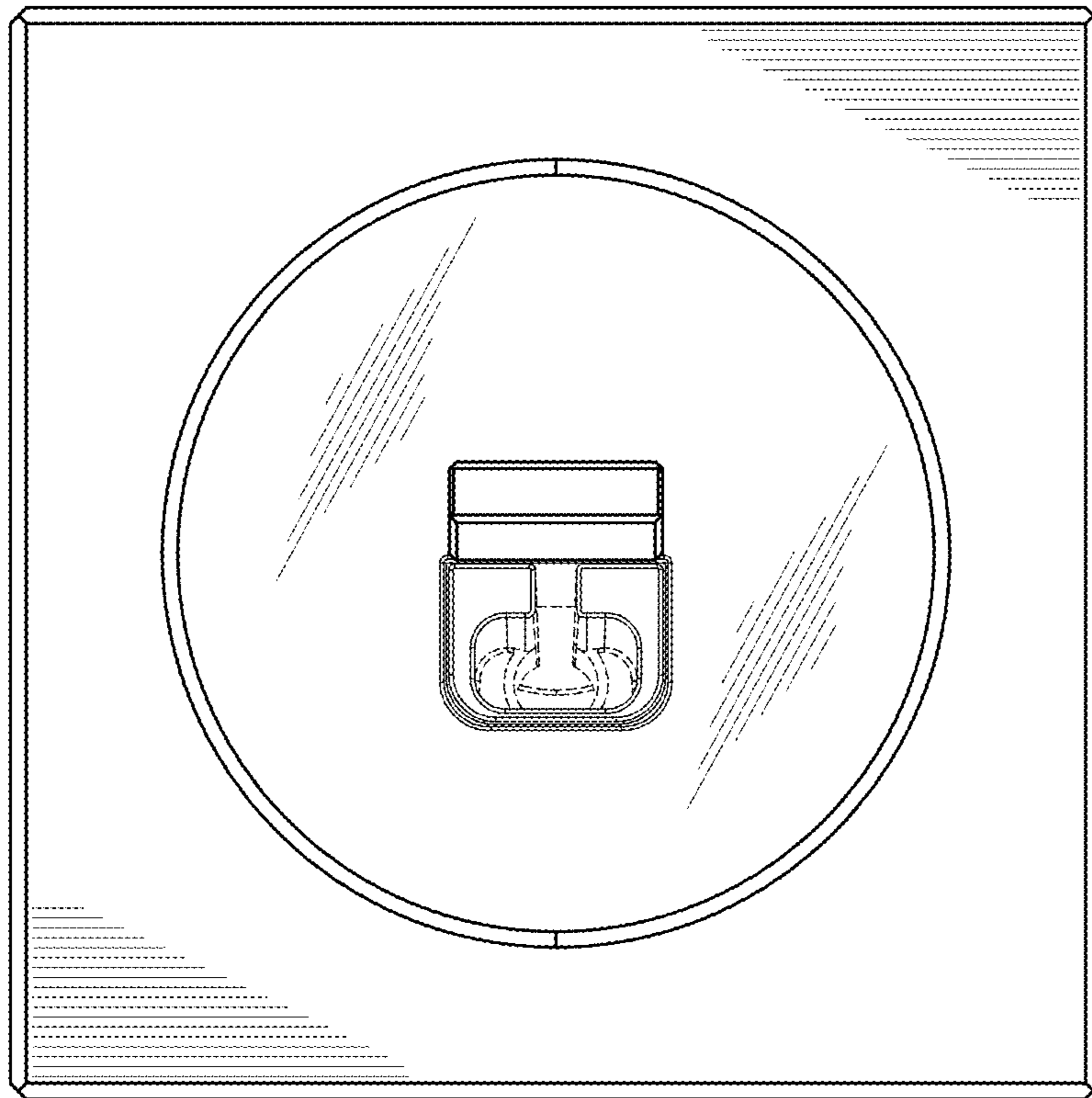


FIG. 3

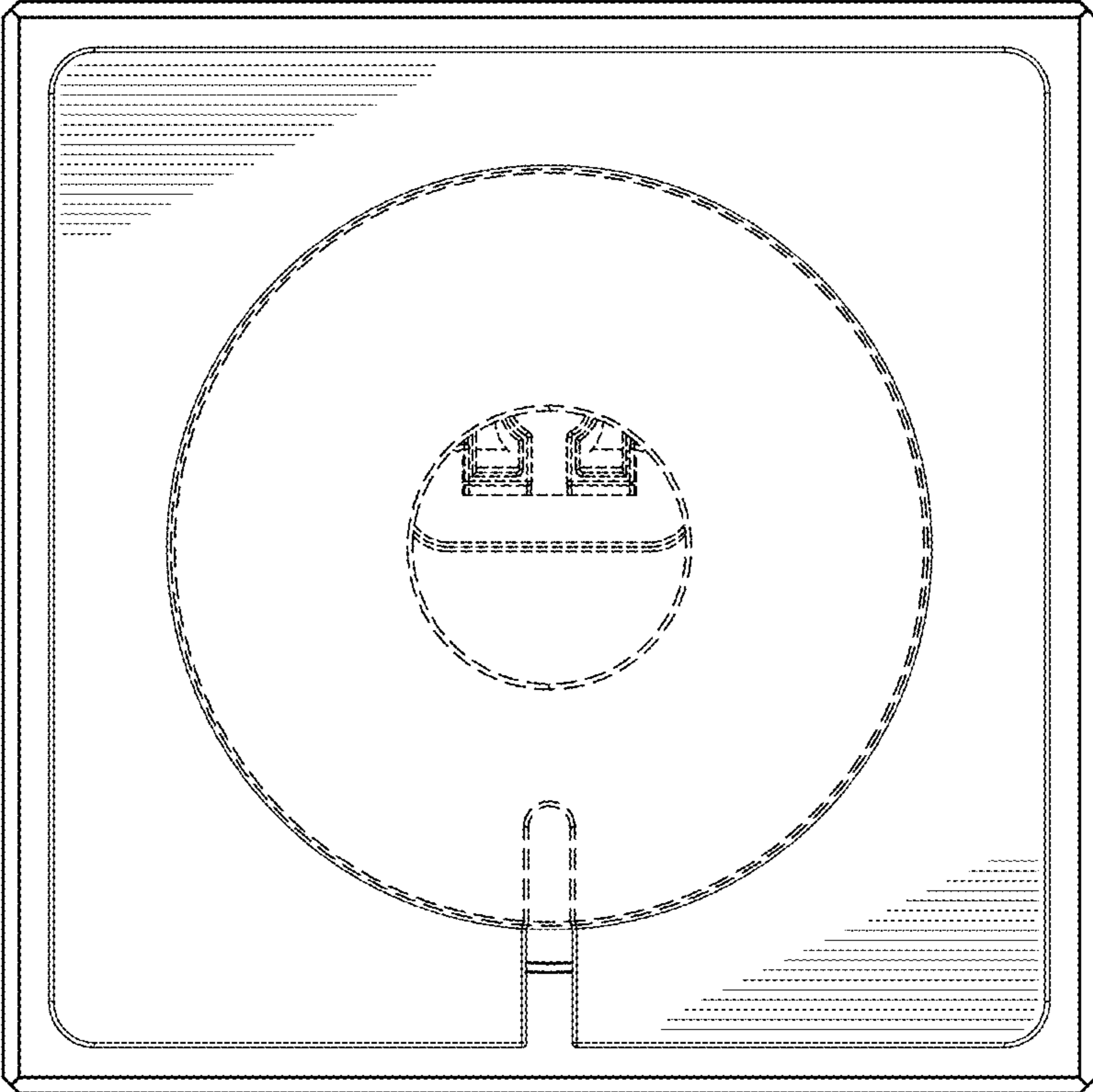


FIG. 4

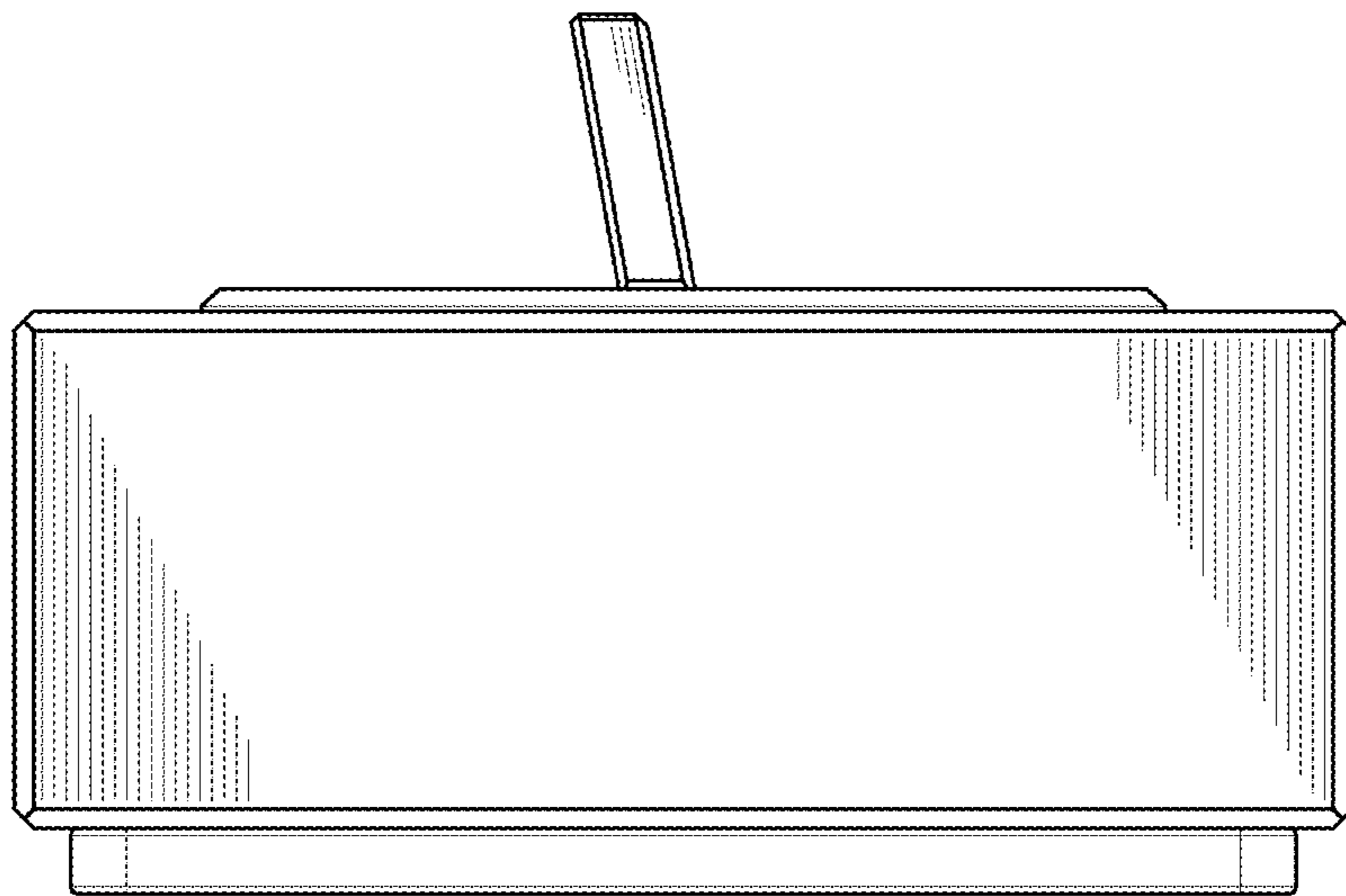


FIG. 5

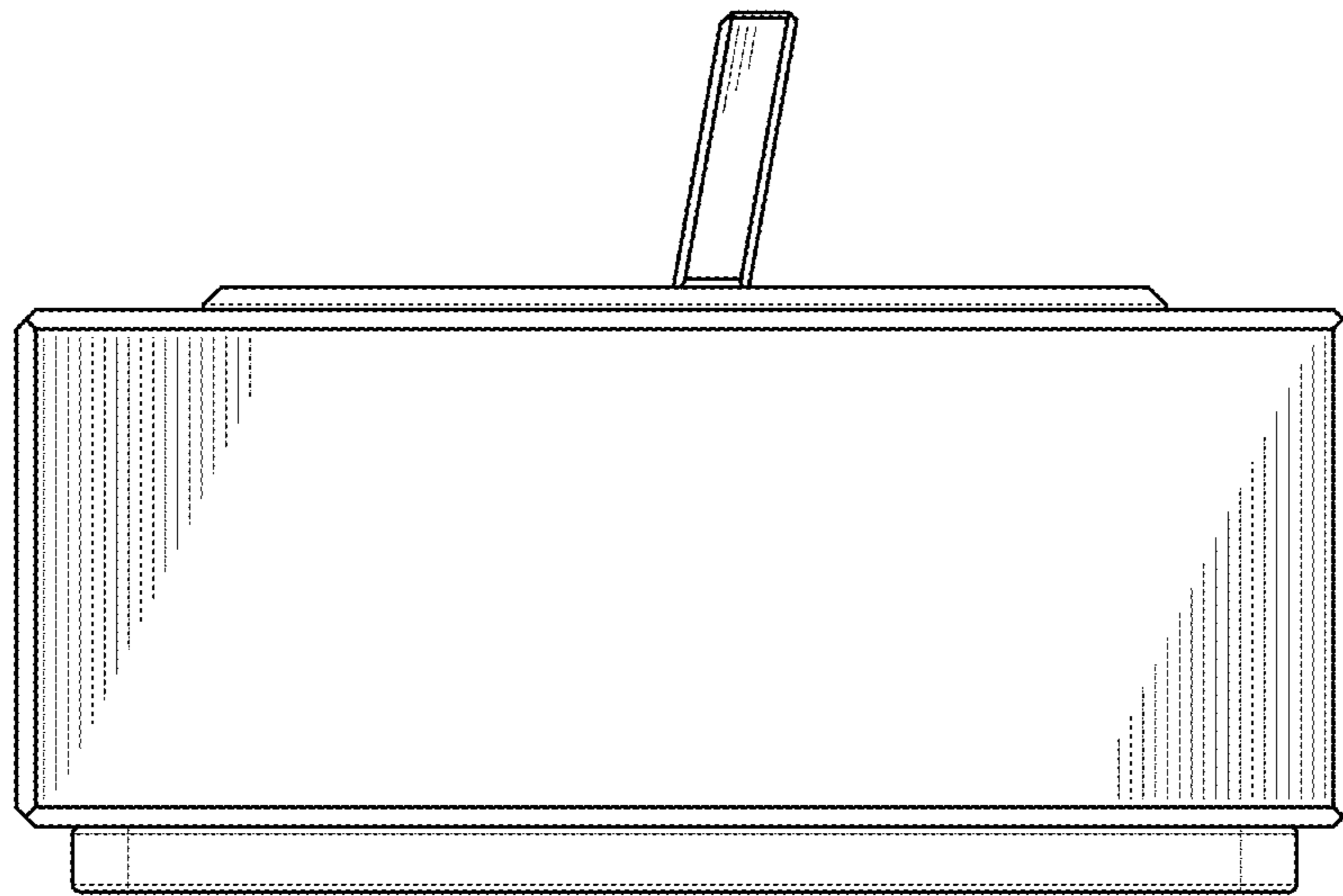


FIG. 6

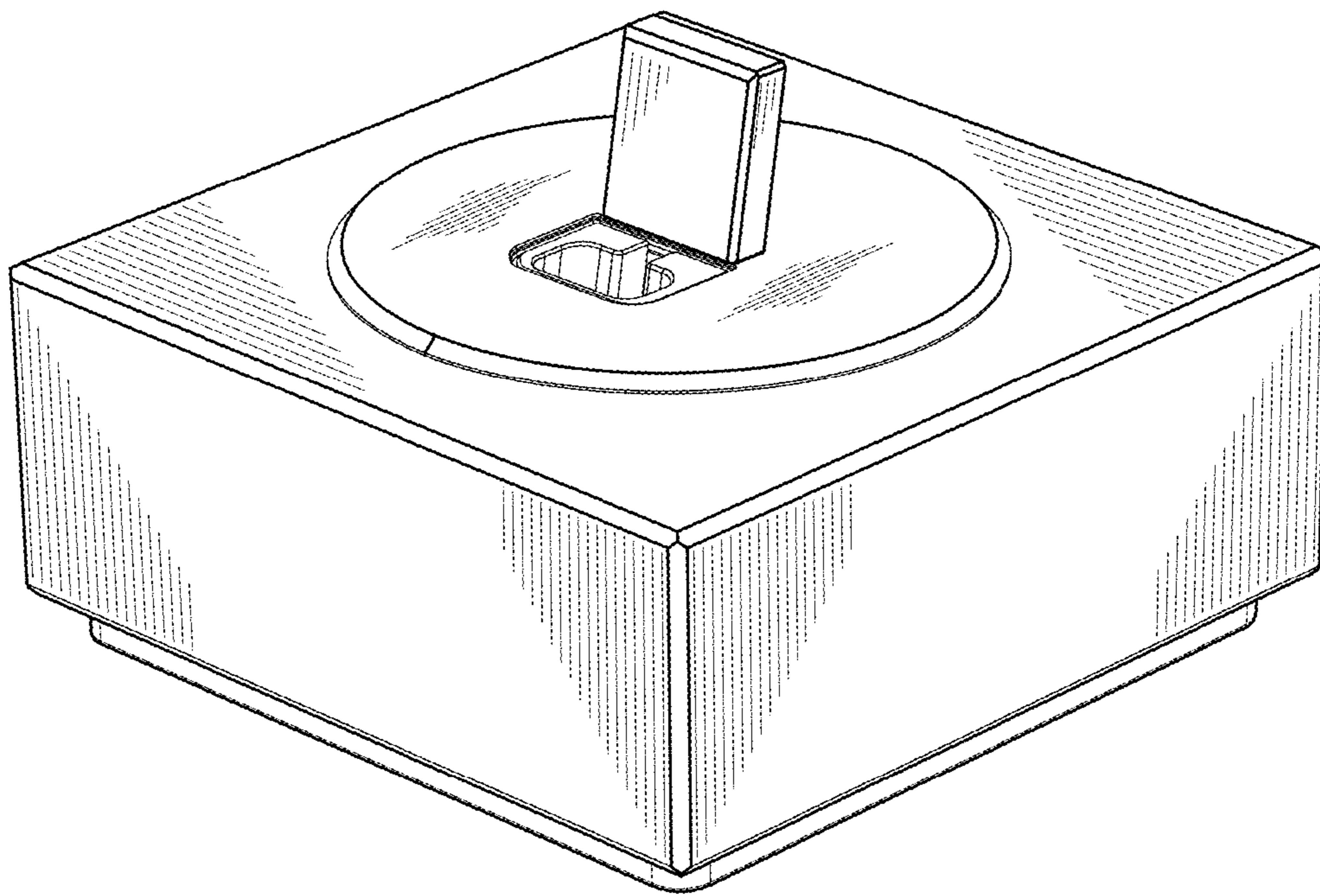


FIG. 7