



US00D841573S

(12) **United States Design Patent** (10) **Patent No.:** **US D841,573 S**
Tyrrell et al. (45) **Date of Patent:** **** Feb. 26, 2019**

(54) **POWER MODULE**

(71) Applicant: **IDEAL Industries, Inc.**, Sycamore, IL (US)

(72) Inventors: **James Tyrrell**, Sycamore, IL (US);
Justin Cerutti, Sycamore, IL (US)

(73) Assignee: **IDEAL Industries, Inc.**, Sycamore, IL (US)

(**) Term: **15 Years**

(21) Appl. No.: **29/601,405**

(22) Filed: **Apr. 21, 2017**

(51) **LOC (11) Cl.** **13-02**

(52) **U.S. Cl.**
USPC **D13/103**

(58) **Field of Classification Search**
USPC D13/102-110, 118, 119, 184, 199;
D14/356, 432

CPC Y02E 60/10; Y02E 60/12; Y02E 60/122;
Y02E 60/124; Y02E 60/50; H01M
2/1061; H01M 2/1022; H01M 2/1055;
H01M 2/1066; H01M 2/105; H01M 2/20;
H01M 2/202; H01M 2/204; H01M 2/206;
H01M 2/02; H01M 2/022; H01M 2/0202;
H01M 2/0207; H01M 2/0212; H01M
10/44; H01M 10/46; H01M 10/465;
H01M 10/482; H01M 10/4257; H01M
10/0436; H01M 10/48; H01M 2250/30;
H01M 2250/40; H02J 7/00; H02J 7/0003;
H02J 7/0011; H02J 7/0013; H02J 7/0054;
H02J 7/0055; H02J 7/0057; H02J
2007/0062

See application file for complete search history.

(56) **References Cited**

U.S. PATENT DOCUMENTS

D482,653 S * 11/2003 Cho D13/110
D542,786 S * 5/2007 Karlsson D14/302

D611,415 S * 3/2010 Andre D13/108
D623,136 S * 9/2010 Andre D13/108
D714,787 S * 10/2014 Matsuoka D14/426
D720,289 S * 12/2014 Chiang D13/108
D780,136 S * 2/2017 Chudoba D13/184
D789,373 S * 6/2017 King D14/413
D810,680 S * 2/2018 Carreon D13/108
D812,559 S * 3/2018 Xu D13/107

OTHER PUBLICATIONS

Vimeo.com: IDEAL PowerPuck System Overview. Published Nov. 14, 2016. Retrieved from the internet at <<https://vimeo.com/191499134>>, Apr. 30, 2018. 1 page. (Year: 2016).*

* cited by examiner

Primary Examiner — Rosemary K Tarcza

Assistant Examiner — Christy M Nemeth

(74) *Attorney, Agent, or Firm* — Greenberg Traurig, LLP

(57) **CLAIM**

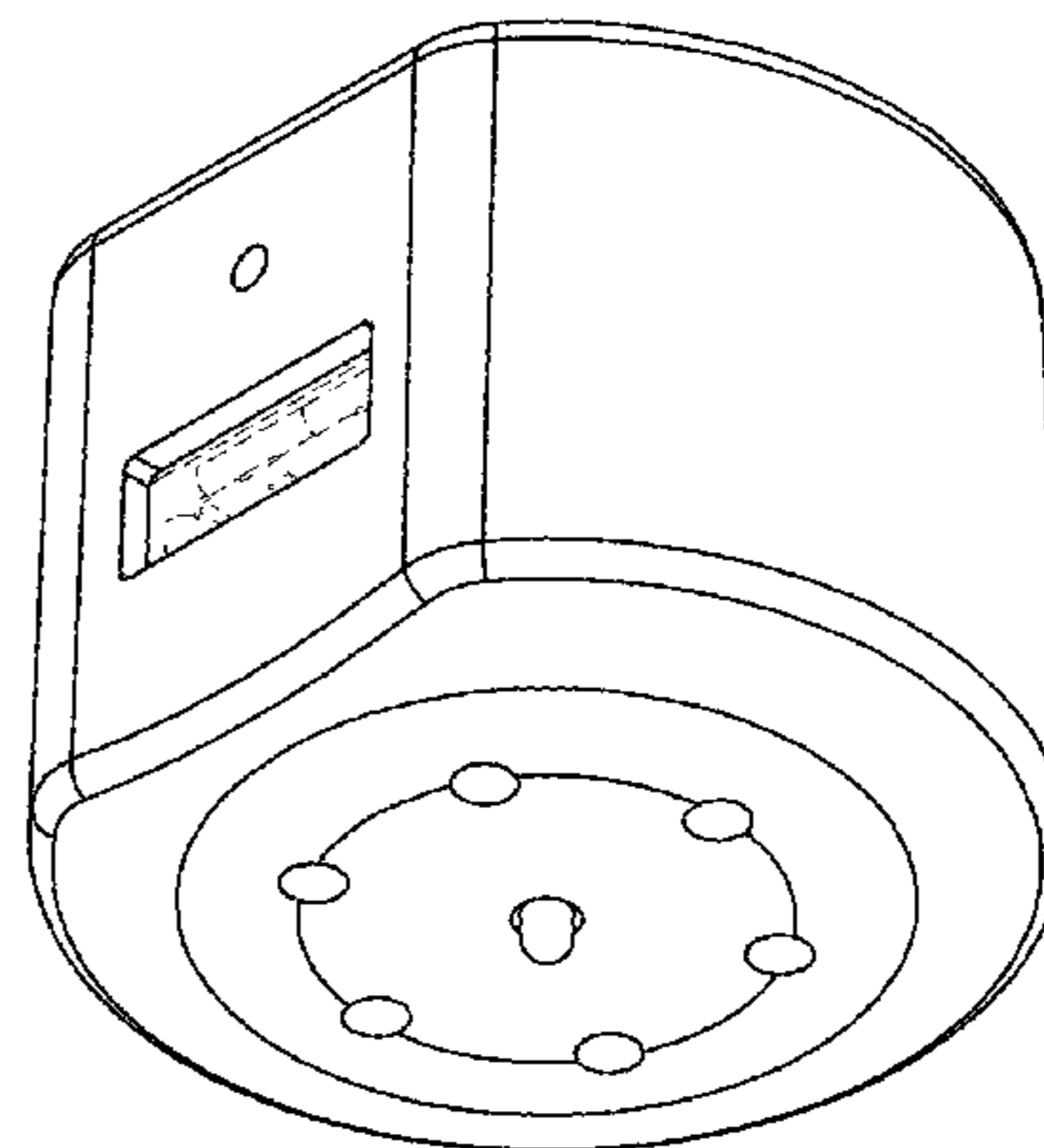
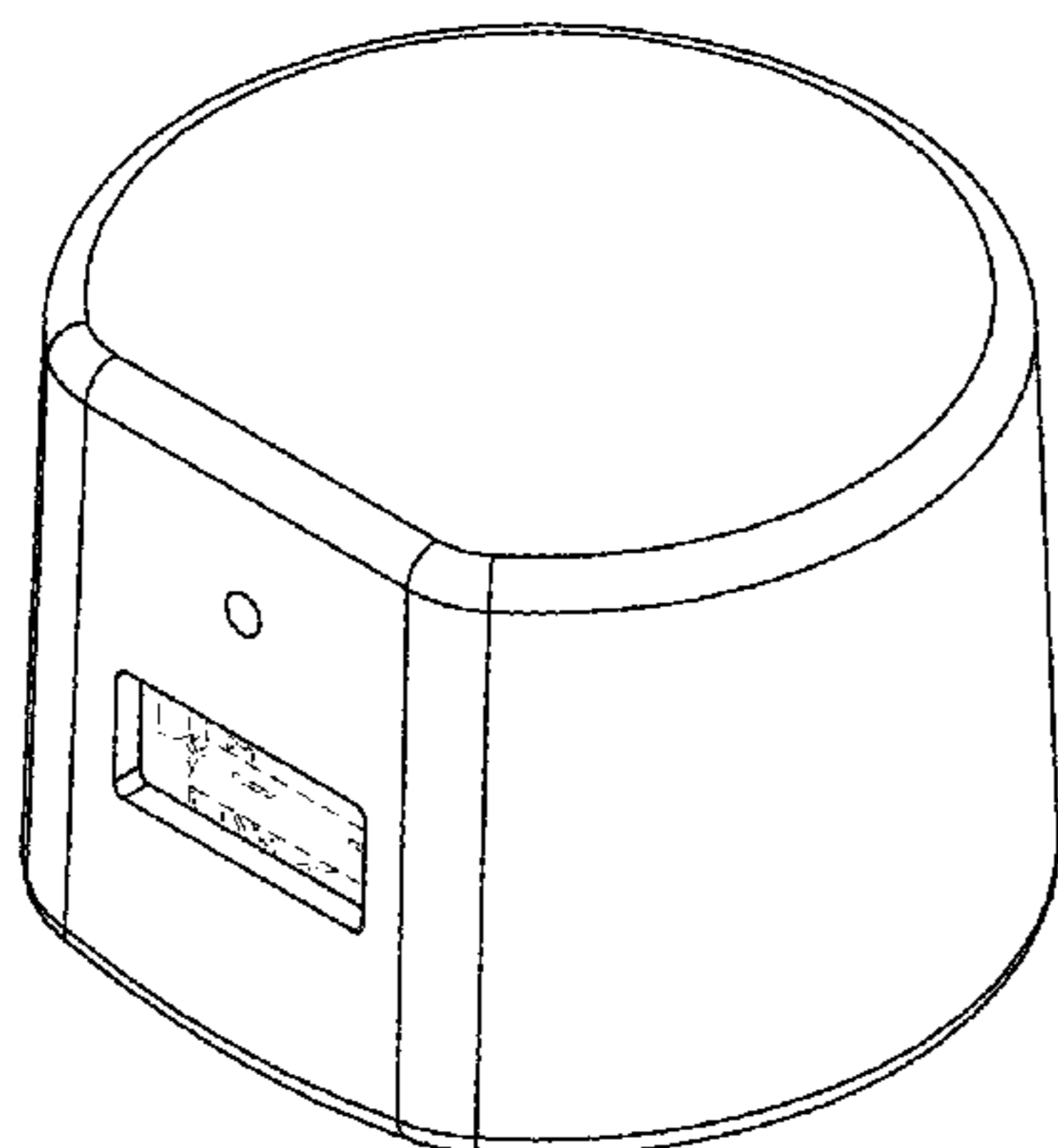
The ornamental design for a power module, as shown and described.

DESCRIPTION

FIG. 1 is a top-front-left side perspective view of a power module showing our new design;
FIG. 2 is a bottom-front-left side perspective view thereof;
FIG. 3 is a front elevation view thereof;
FIG. 4 is a rear elevation view thereof;
FIG. 5 is a left side elevation view thereof;
FIG. 6 is a right side elevation view thereof;
FIG. 7 is a top plan view thereof; and,
FIG. 8 is a bottom plan view thereof.

The broken lines in the drawings are for the purpose of illustrating portions of the power module that form no part of the claimed design.

1 Claim, 4 Drawing Sheets



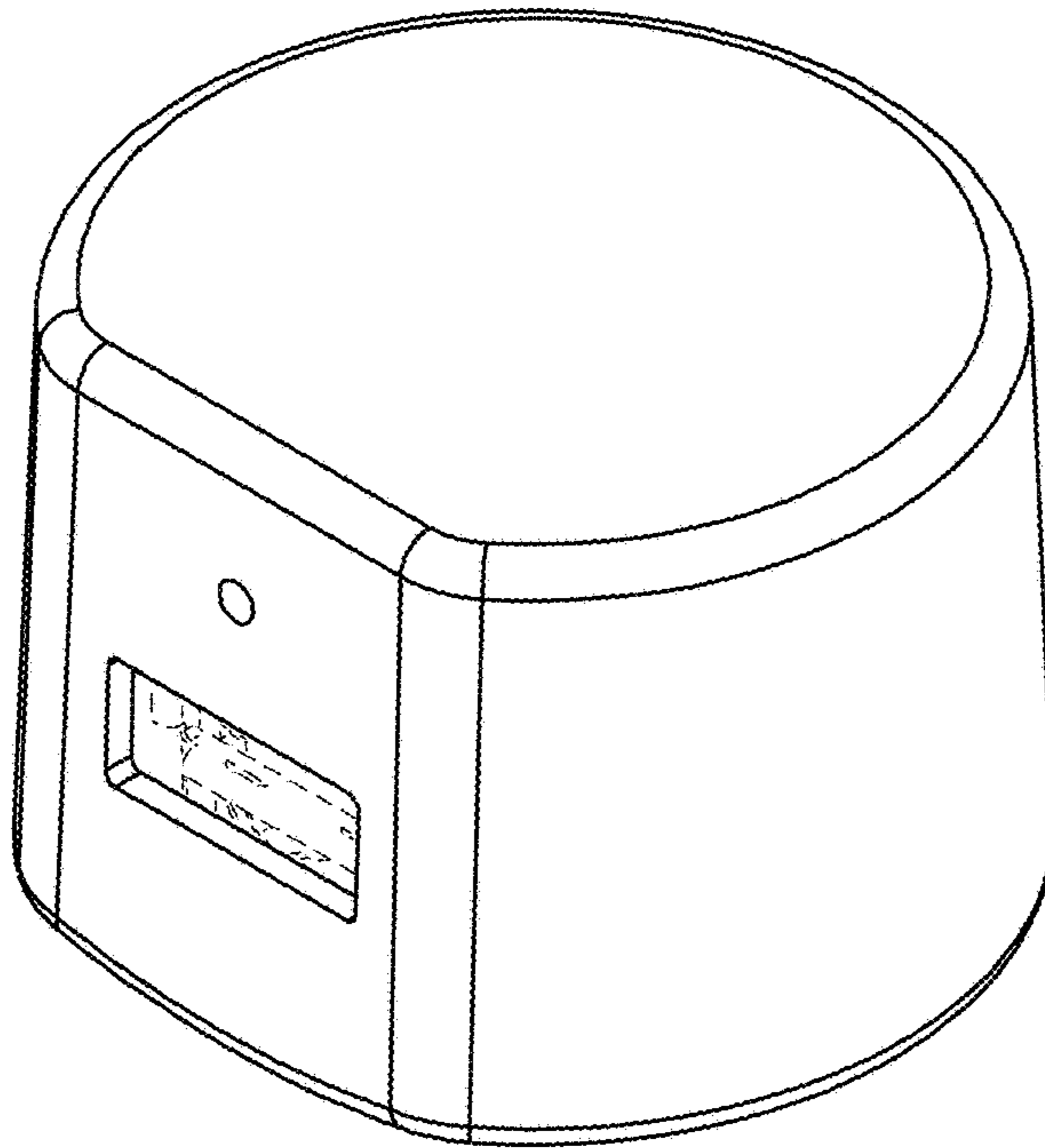


FIG. 1

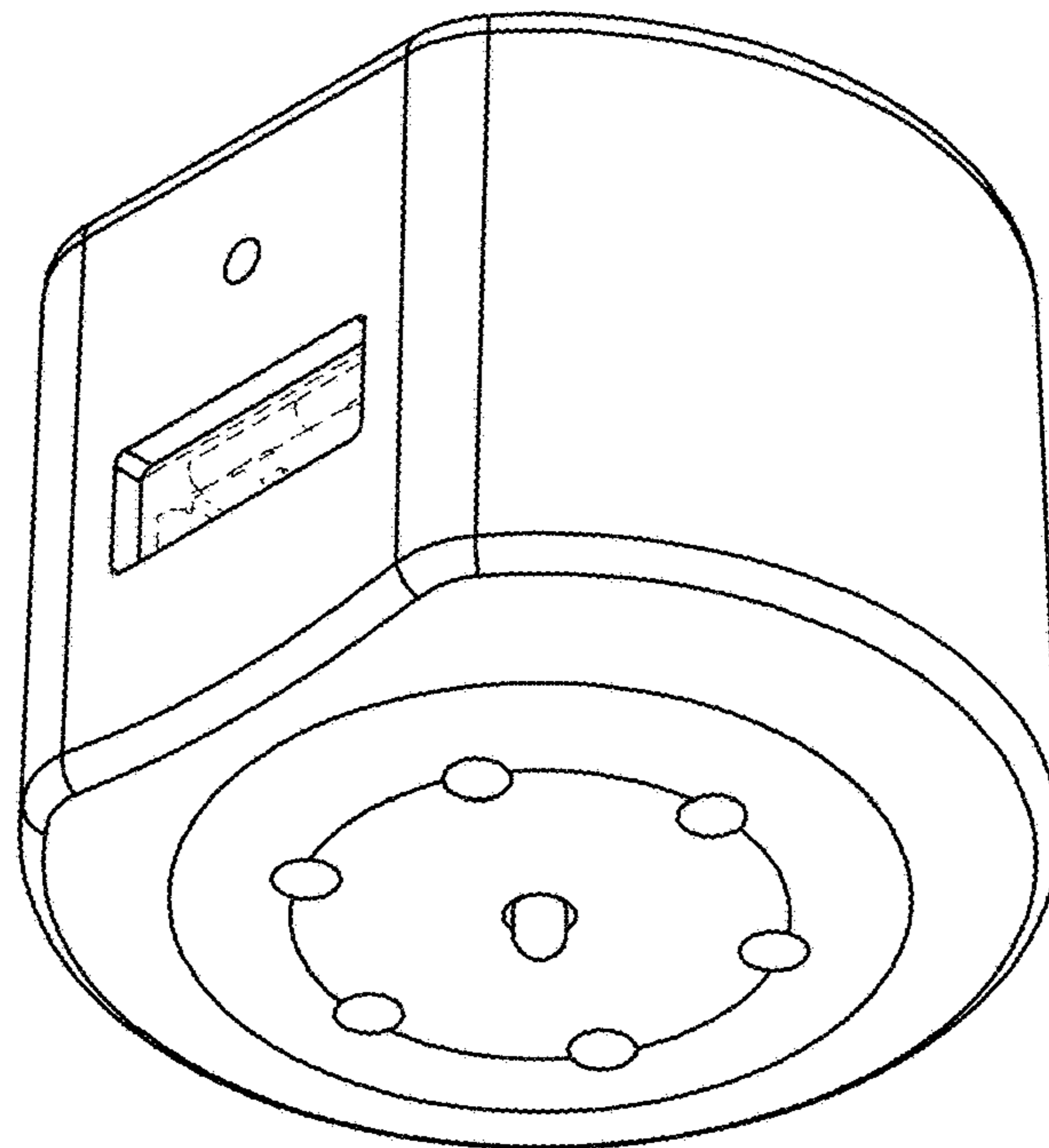


FIG. 2

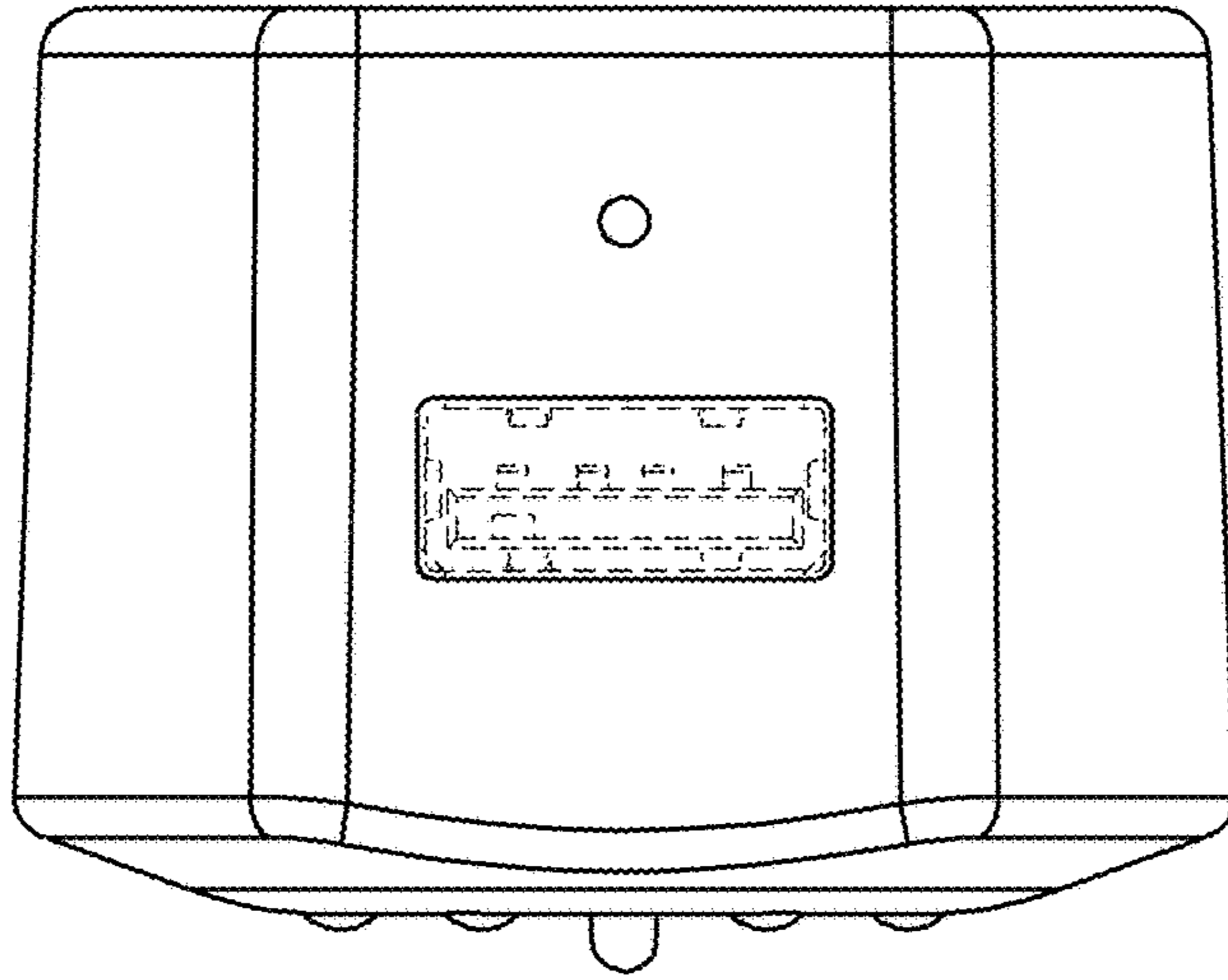


FIG. 3

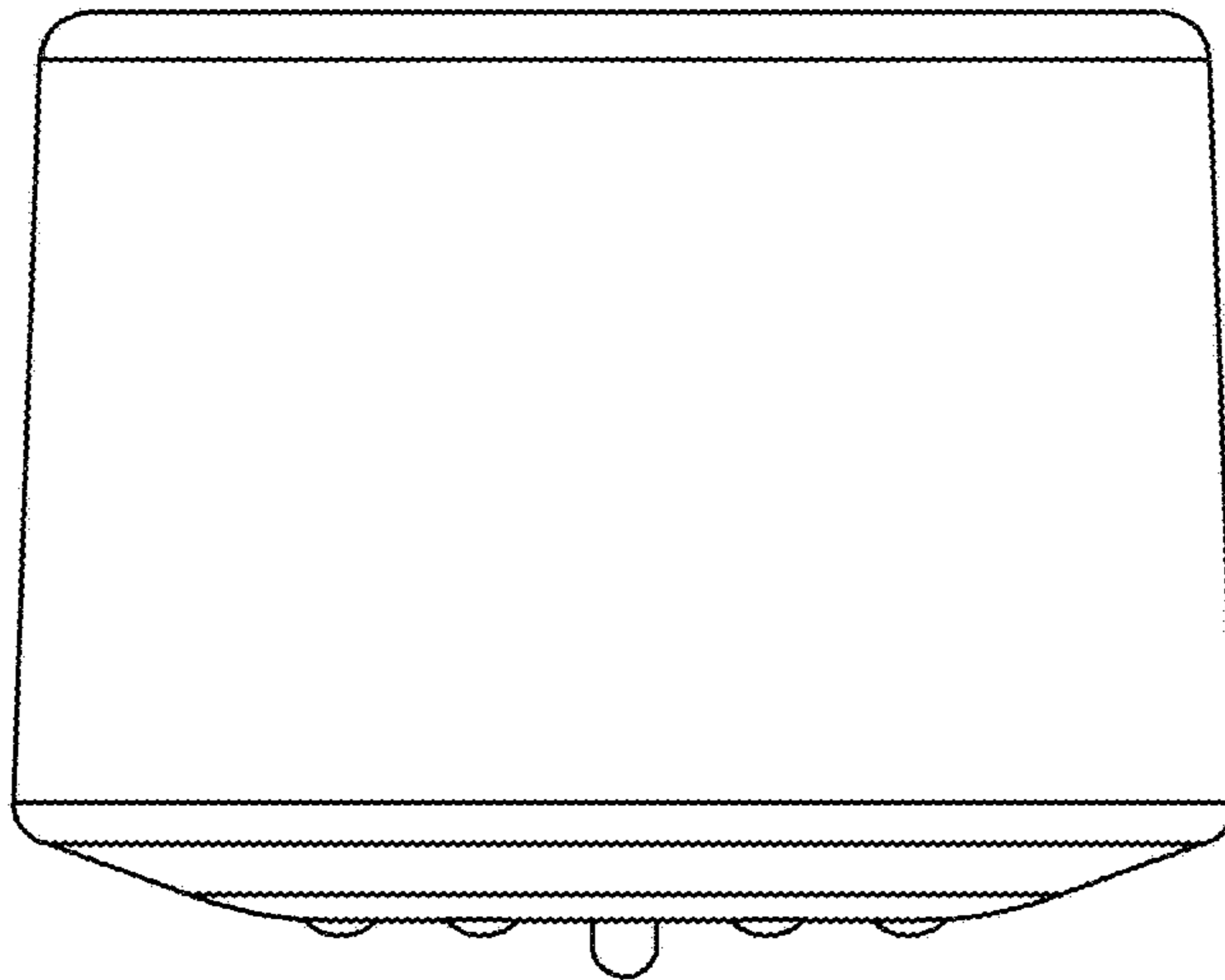


FIG. 4

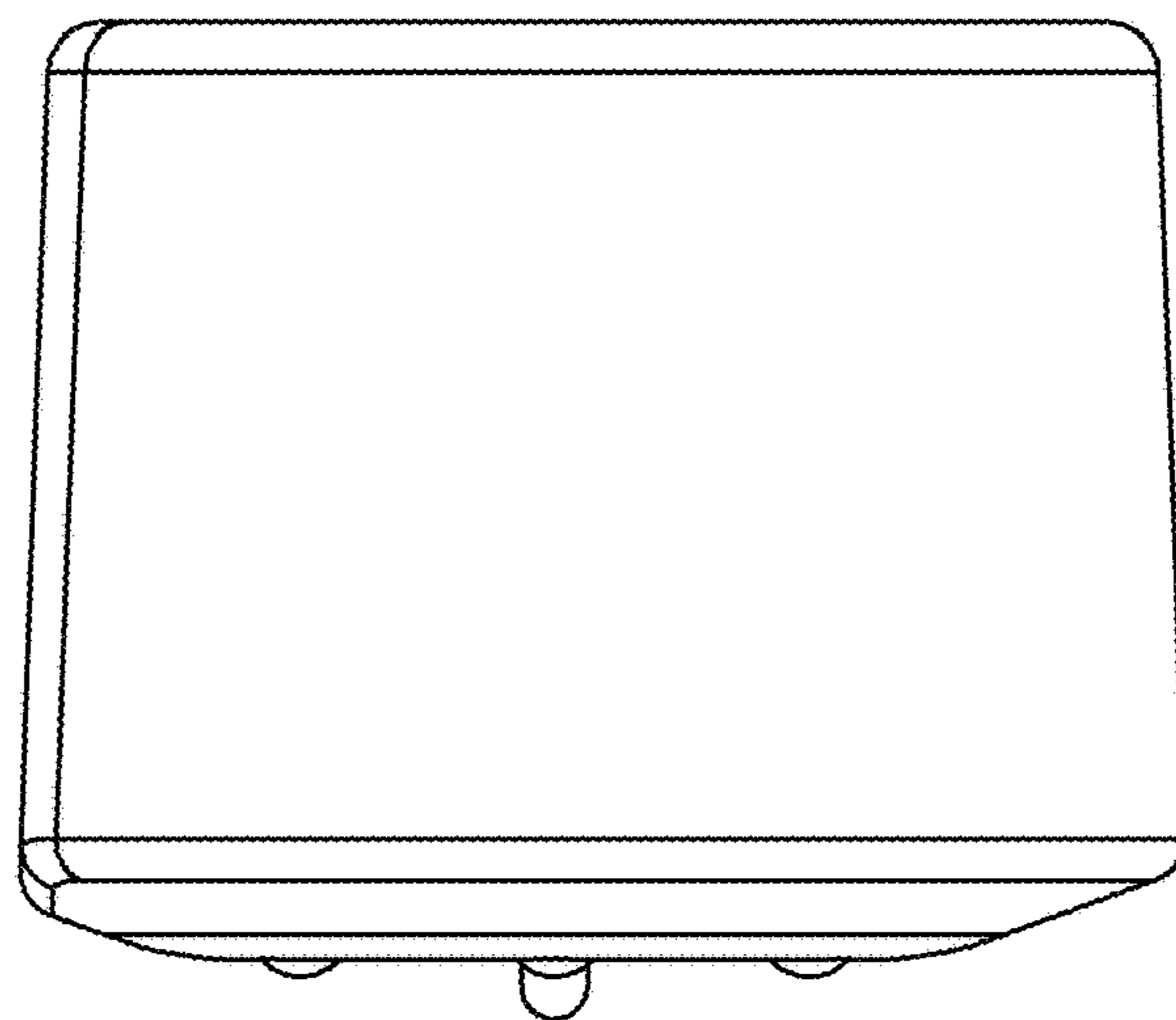


FIG. 5

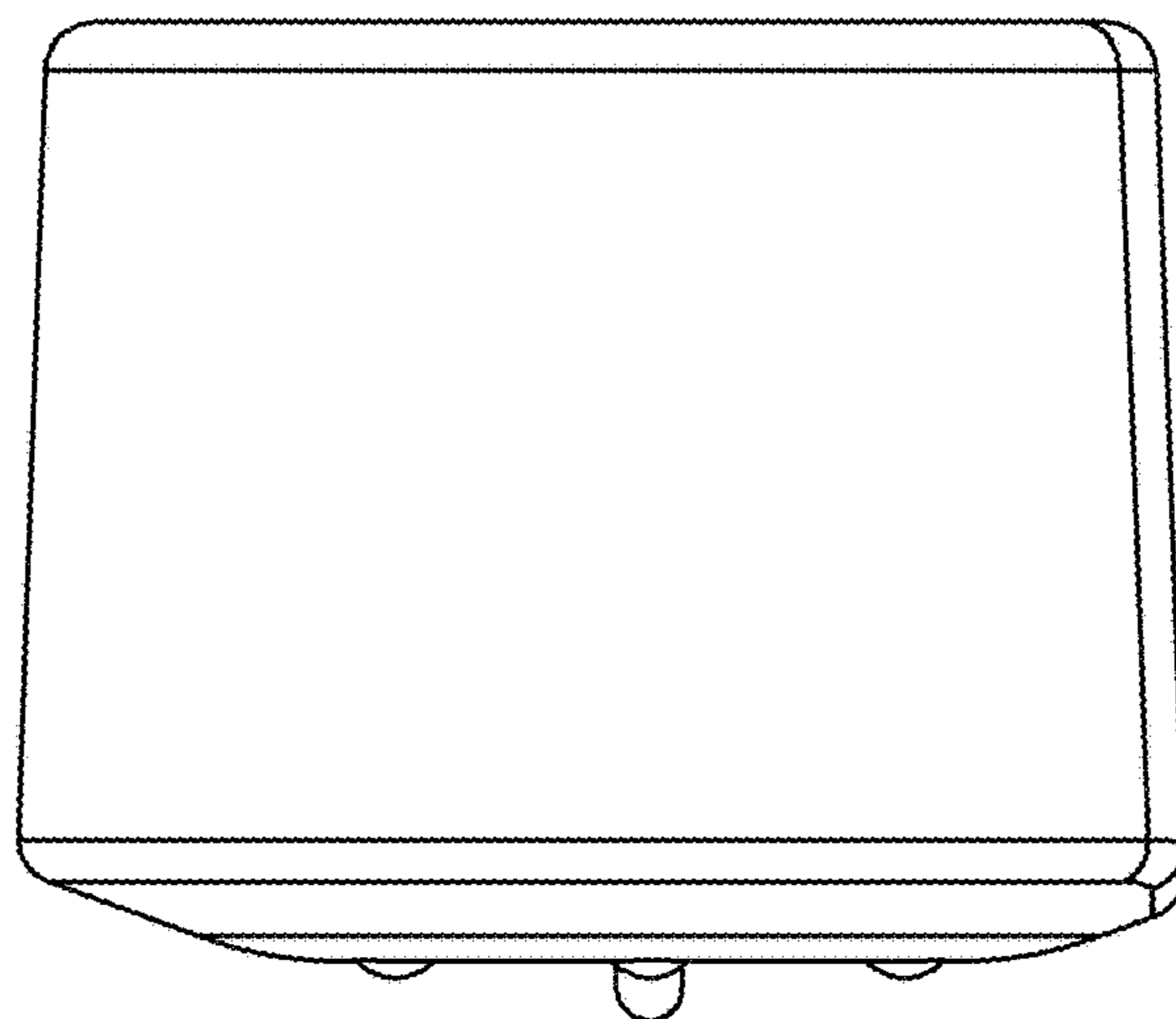


FIG. 6

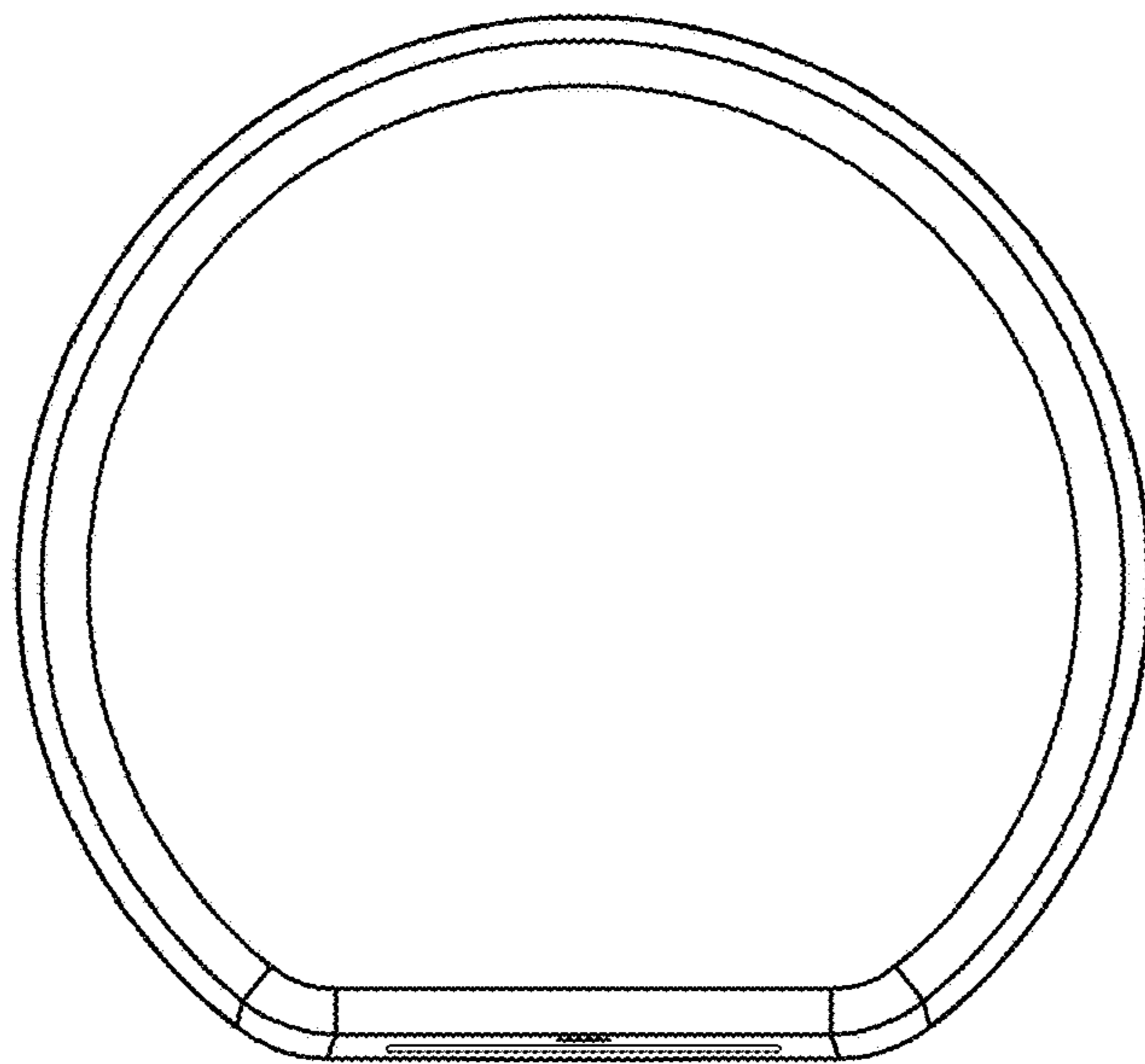


FIG. 7

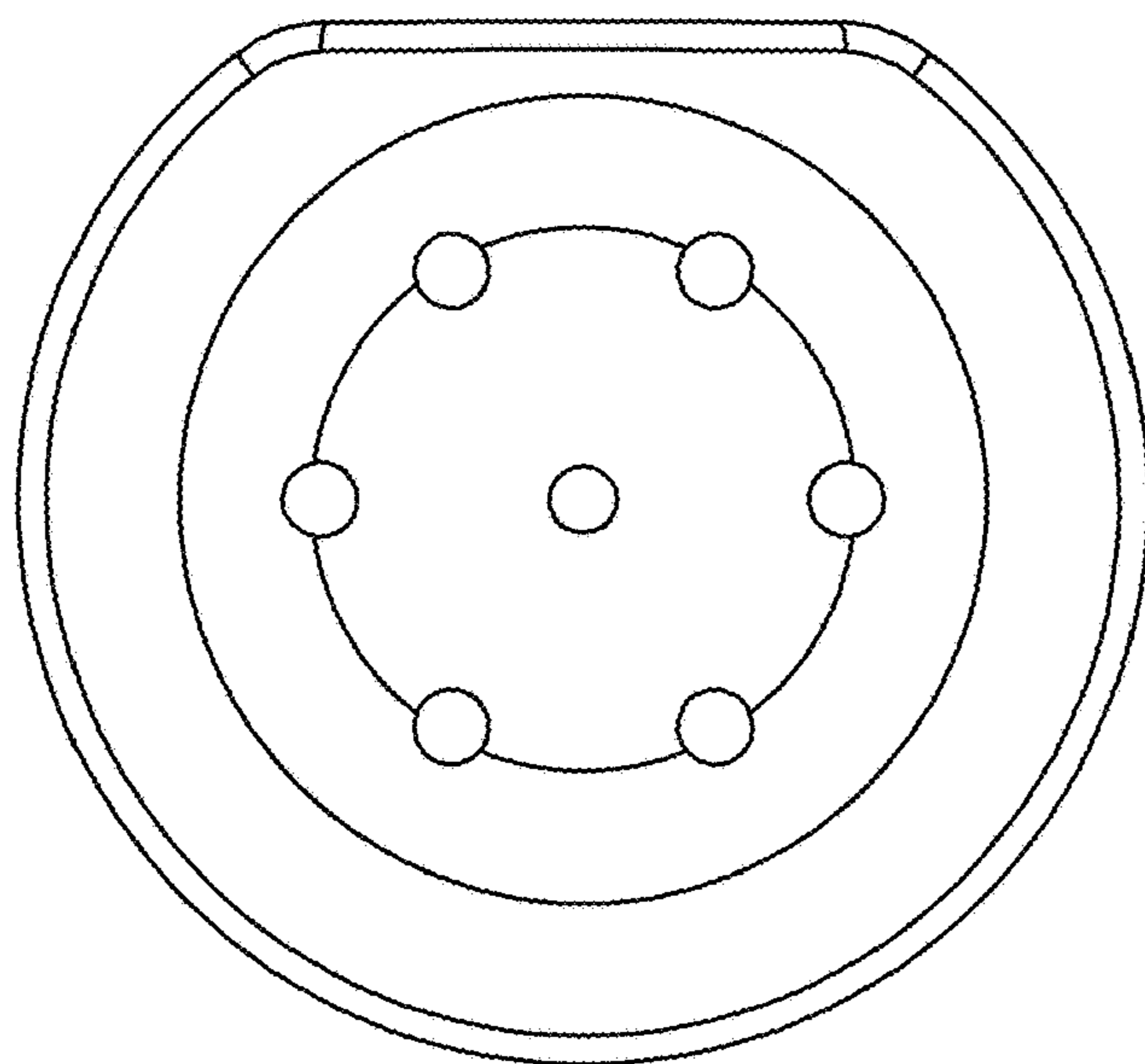


FIG. 8