



US00D841566S

(12) **United States Design Patent** (10) **Patent No.:** **US D841,566 S**
Badillo (45) **Date of Patent:** **** Feb. 26, 2019**

(54) **RACK FOR A SPORT UTILITY VEHICLE**

3,158,301 A 11/1964 Hedgepeth
3,215,323 A 11/1965 Bonitt
3,260,929 A 7/1966 Hedgepeth
(Continued)

(71) Applicant: **Intelligent Designs 2000 Corp.**,
Aurora, CO (US)

(72) Inventor: **Paul Badillo**, Littleton, CO (US)

(73) Assignee: **INTELLIGENT DESIGNS 2000 CORP.**, Aurora, CO (US)

(**) Term: **15 Years**

(21) Appl. No.: **29/637,757**

(22) Filed: **Feb. 21, 2018**

OTHER PUBLICATIONS

U.S. Appl. No. 29/535,865, filed Aug. 11, 2015, Badillo.
(Continued)

Primary Examiner — Katrina A Betton
(74) *Attorney, Agent, or Firm* — Sheridan Ross PC

(57) **CLAIM**

The ornamental design for a rack for a sport utility vehicle, as shown and described.

Related U.S. Application Data

(62) Division of application No. 29/543,871, filed on Oct. 29, 2015, now Pat. No. Des. 815,012.

(51) **LOC (11) Cl.** **12-16**

(52) **U.S. Cl.**
USPC **D12/412**

(58) **Field of Classification Search**
USPC D12/412, 406, 413, 414, 414.1; D6/552;
D3/304-306

CPC B60R 9/04; B60R 9/048; B60R 9/045
See application file for complete search history.

DESCRIPTION

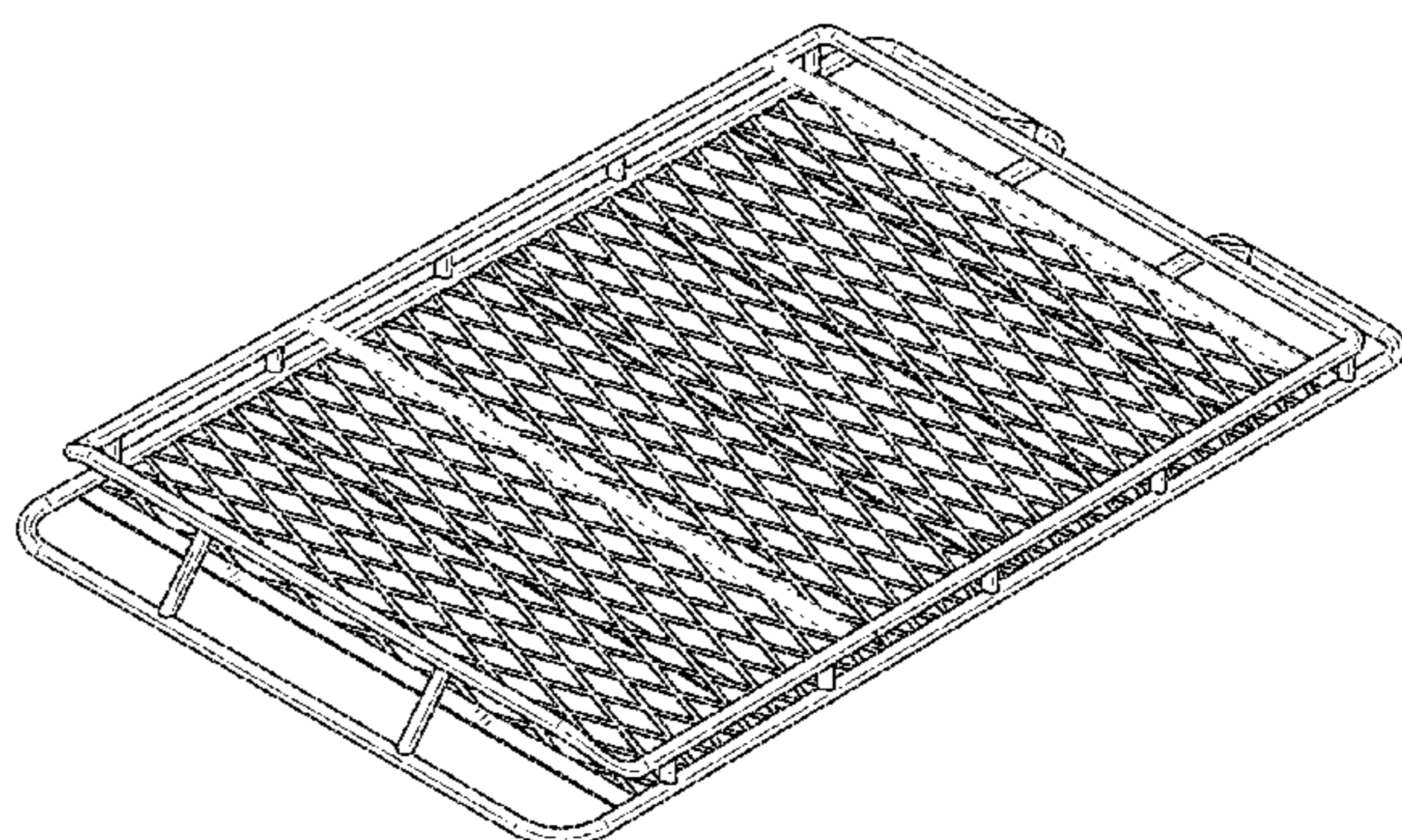
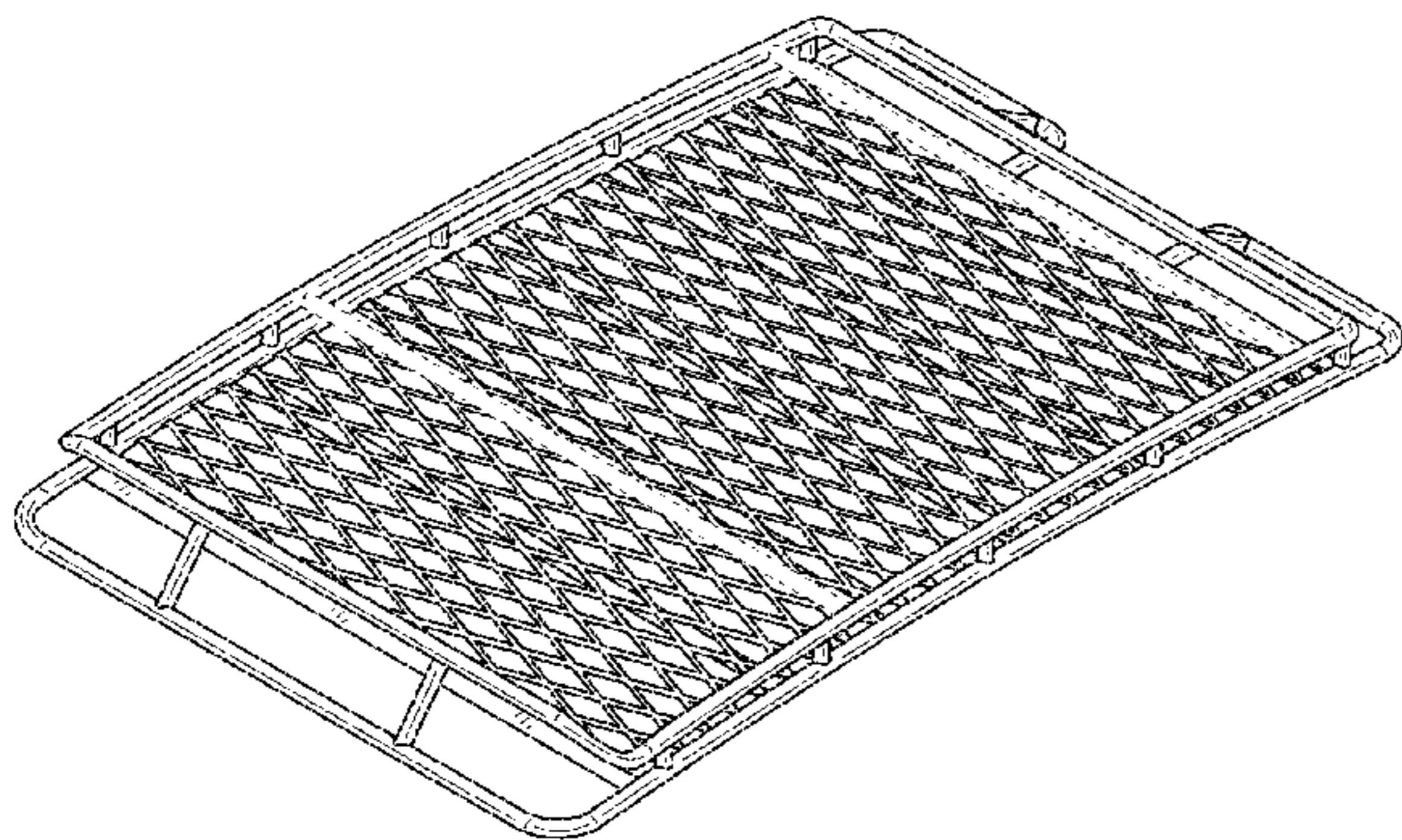
FIG. 1 is a perspective view of a rack for a sport utility vehicle;
FIG. 2 is a front elevation view thereof;
FIG. 3 is a rear elevation view thereof;
FIG. 4 is a right elevation view thereof;
FIG. 5 is a left elevation view thereof;
FIG. 6 is a top plan view thereof;
FIG. 7 is a bottom plan view thereof;
FIG. 8 is a perspective view thereof interconnected to a sport utility vehicle;
FIG. 9 is a perspective view of another embodiment of a rack for a sport utility vehicle;
FIG. 10 is a front elevation view thereof;
FIG. 11 is a rear elevation view thereof;
FIG. 12 is a right elevation view thereof;
FIG. 13 is a left elevation view thereof;
FIG. 14 is a top plan view thereof;
FIG. 15 is a bottom plan view thereof; and,
FIG. 16 is a perspective view thereof interconnected to a sport utility vehicle.
The broken lines depict unclaimed environmental subject matter and do not form any part of the claimed design.

(56) **References Cited**

U.S. PATENT DOCUMENTS

704,436 A	7/1902	Cluff
744,113 A	11/1903	Rye
1,564,776 A	12/1925	Green
1,606,954 A	11/1926	Moen et al.
2,387,779 A	10/1945	Strauss
2,492,841 A	12/1949	Burkey
2,521,815 A	9/1950	Will
2,663,472 A	12/1953	Belgau
2,784,888 A	3/1957	Lecanu-Deschamps
2,800,264 A	7/1957	McFadyen
2,967,635 A	1/1961	Barnett

1 Claim, 12 Drawing Sheets



(56)

References Cited

OTHER PUBLICATIONS

U.S. PATENT DOCUMENTS

3,330,454	A	7/1967	Bott	
3,531,006	A	9/1970	Farchmin	
3,765,713	A	10/1973	Suitt	
3,902,642	A	9/1975	McNeece	
4,336,897	A	6/1982	Luck	
4,350,471	A	9/1982	Lehman	
4,817,834	A	4/1989	Weiler	
4,948,024	A	8/1990	Warner et al.	
5,171,083	A	12/1992	Rich	
5,381,939	A	1/1995	Tippets	
D359,134	S	6/1995	Toews	
5,560,525	A	10/1996	Grohmann et al.	
D406,557	S	3/1999	Bentley	
D413,562	S	9/1999	Van Dusen et al.	
6,003,633	A	12/1999	Rolson	
6,015,074	A	1/2000	Snavely et al.	
D422,553	S	4/2000	VonDuyke	
6,116,378	A	9/2000	Barrow	
D434,364	S	11/2000	Bauer et al.	
6,152,339	A	11/2000	Kreisler	
D434,718	S	12/2000	Kreisler	
D435,510	S	12/2000	Quidort	
6,179,180	B1	1/2001	Walker et al.	
D442,289	S	5/2001	Ziaylek et al.	
6,425,508	B1	7/2002	Cole et al.	
D463,358	S	9/2002	Thomas	
D470,451	S	2/2003	Bushart et al.	
6,561,397	B1	5/2003	Bauer et al.	
6,581,813	B2	6/2003	Bove et al.	
D477,562	S	7/2003	McCoy et al.	
6,604,606	B1	8/2003	McDougal et al.	
D479,884	S	9/2003	Berryman	
D481,003	S	10/2003	Bauer et al.	
D490,163	S	5/2004	Thurston	
6,739,349	B2	5/2004	Kastenschmid et al.	
6,755,332	B2	6/2004	Crane et al.	
D508,015	S	8/2005	Badillo	
D512,783	S	12/2005	Badillo	
D520,938	S	5/2006	Badillo	
7,055,454	B1	6/2006	Whiting et al.	
D537,404	S	2/2007	Bauer et al.	
7,226,266	B2	6/2007	Henderson et al.	
D547,752	S	7/2007	Lee	
7,249,927	B2	7/2007	Wooten et al.	
D549,838	S	8/2007	Badillo	
D558,123	S	12/2007	Murillo	
D578,952	S	10/2008	Badillo	
D603,321	S	11/2009	Kramer	
D621,328	S	8/2010	Sistare et al.	
D624,005	S	9/2010	Winner et al.	
D638,333	S	5/2011	Freeman	
8,496,146	B2	7/2013	Badillo	
D765,577	S	9/2016	Kmita et al.	
D772,783	S	11/2016	Schleef	
9,676,343	B2	6/2017	Badillo	
D793,946	S	8/2017	Badillo	
D793,947	S	8/2017	Badillo	
D807,276	S *	1/2018	Aden D12/412	
D809,997	S *	2/2018	Conner D12/412	
D811,311	S	2/2018	Badillo	
D811,986	S *	3/2018	Torres D12/412	
2005/0082326	A1	4/2005	Badillo	
2005/0092796	A1	5/2005	Essig	
2005/0095102	A1	5/2005	Watson	
2011/0101056	A1	5/2011	Barkey	
2016/0362053	A1 *	12/2016	Sautter B60R 9/052	
2018/0022285	A1 *	1/2018	Karuppaswamy B60P 3/36 224/486	
2018/0056884	A1 *	3/2018	Ziraldo B60R 9/052	
2018/0086276	A1 *	3/2018	Isoda B60R 9/052	
2018/0201200	A1 *	7/2018	Wang B60R 9/045	
2018/0229665	A1 *	8/2018	Schactman B60R 9/048	
2018/0236946	A1 *	8/2018	Shen B60R 9/058	

U.S. Appl. No. 29/542,039, filed Oct. 9, 2015, Badillo.
 U.S. Appl. No. 29/543,871, filed Oct. 29, 2018, Badillo.
 U.S. Appl. No. 29/610,895, filed Jul. 17, 2017, Badillo.
 U.S. Appl. No. 29/631,524, filed Dec. 29, 2017, Badillo.
 U.S. Appl. No. 29/637,756, filed Feb. 21, 2018, Badillo.
 Advertisement: Yakima Spare Tire Carrier, Cargo Basket for Roof Racks, available at http://www.rackoutfitters.com/catalog/yakima_spare_tire_carrier_1836640.htm, dated Jul. 7, 2003, 1 page.
 Advertisement: Thule 840-Playpen Basket, Cargo Basket for Roof Racks, available at http://www.rackoutfitters.com/catalog/thule_840_-playpen_basket_1885452.htm, dated Jul. 7, 2003, 1 page.
 Advertisement: Surco, Products, Inc., "Basket rack-it just flat out carries what you need to take," available at http://www.everythingsuv.com/surco_safart_roof_racks-esuv.asp, dated Jul. 7, 2003, 10 pages.
 Advertisement: KargoMaster, Kargo Master Safari Racks, available at http://www.kargomaster.com/jeep23.asp?rack=sport_jeep, Jul. 7, 2007, 1 page.
 Advertisement: KargoMaster, The Bushman Steel Rack, available at <http://www.kargomaster.com/bushman.asp?type=jeep>, dated Jul. 7, 2003, 1 page.
 Advertisement: KargoMaster, Seregenti Telescoping Steel Rack, available at <http://www.kargomaster.com/seregenti.asp?type=Jeep>, dated Jul. 7, 2003, 1 page.
 Advertisement: Bauer Vehicle Gear Roof Racks, Roof Storage, Bike Storage & Pet Barriers from Eve, available at http://www.everythingsuv.com/bvg_products-esuv.asp, Jul. 7, 2003, 2 pages.
 Advertisement: Manik Original Off-Road Equipment, Hummer Rough Terrain Package New Product Release "Tilt-Forward 1-Piece Front Bar," 2002, 1 page.
 Advertisement: Manik Original Off-Road Equipment, Hummer Rough Terrain Package New Product Release "Combination Tube Step Rocker Bar," 2002, 1 page.
 Advertisement: Congo Cage Jeep Rack, available at <http://www.kargomaster.com/item.asp?id=62>, printed Apr. 17, 2009, 13 pages.
 Product Literature entitled, "921-Dave's Rack 921-12X," Olympic 4x4, date unknown, 10 pages.
 Advertisement: 921—Daves Rack, Olympic 4x4 Products for over 60 years, available at <http://olympic4X4products.com/utility-racks/921-daves-rack>, printed Jan. 14, 2011, 3 pages.
 "Installation Guide: BR-JPTJ2D-1-0 BajaRack Jeep TJ 2 Doors," BajaRack Adventure Equipment, 4 page, first sold 2013.
 "BR-JPK-Series Installation Instructions," BajaRack Adventure Equipment, 5 pages, first sold 2013.
 "Full Length 4th Gen Rack," Whitson Metalworks, 2015, retrieved from <http://web.archive.org/web/20150704141048/http://whitsonmetalworks.com/product/full-length-4th-gen-rack/>, retrieved on Dec. 10, 2015, 5 pages.
 "ID2 Racks," Intelligent Designs 2000 Corp., www.GOBIRacks.com; it is believed that all have been sold for over one year, 27 pages.
 "Installation Guide: BR-JP-JK4D-1-0 BajaRack Jeep JK 4 Doors," BajaRack Adventure Equipment, 6 pages, first sold 2013.
 Official Action for U.S. Appl. No. 29/534,977, dated Apr. 11, 2017 6 pages.
 Notice of Allowance for U.S. Appl. No. 29/534,977, dated Oct. 17, 2017 7 pages.
 Notice of Allowance for U.S. Appl. No. 29/547,752, dated Mar. 27, 2017 7 pages.
 Official Action for U.S. Appl. No. 29/542,039, dated Sep. 14, 2017 5 pages.
 Notice of Allowance for U.S. Appl. No. 29/542,039, dated Nov. 21, 2017 7 pages.
 Official Action for U.S. Appl. No. 29/543,871, dated Sep. 13, 2017 5 pages.
 Notice of Allowance for U.S. Appl. No. 29/543,871, dated Nov. 21, 2017 7 pages.

* cited by examiner

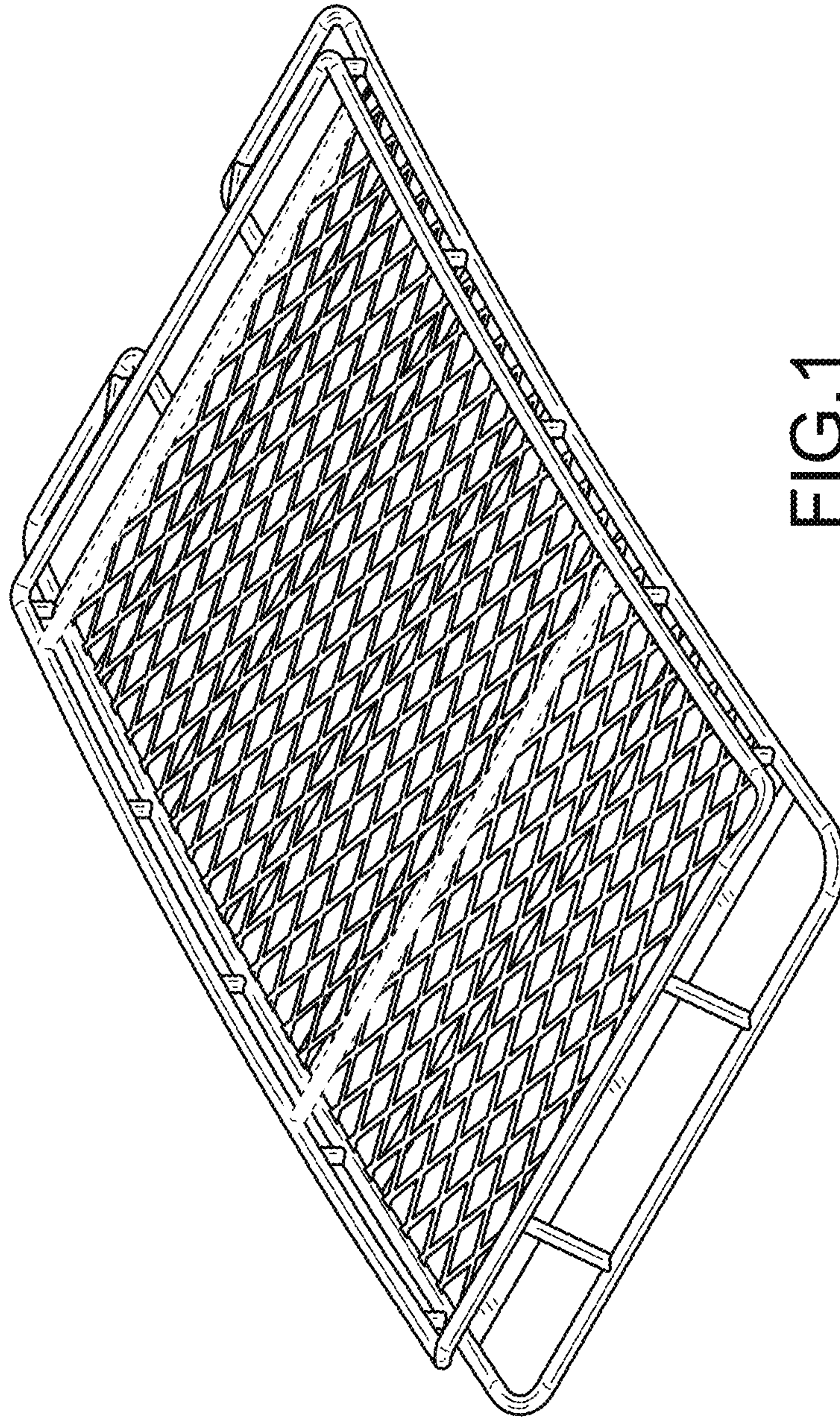


FIG.1

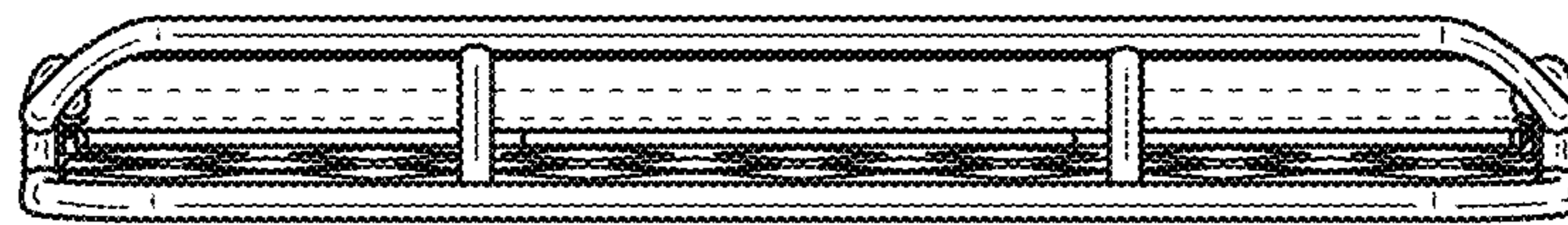


FIG.2

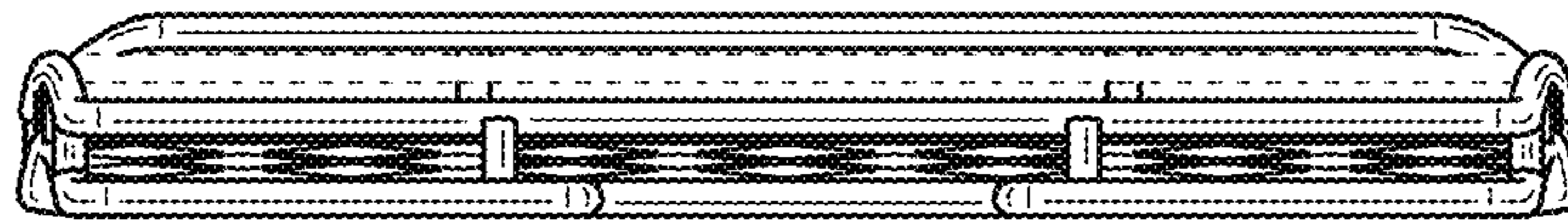


FIG.3

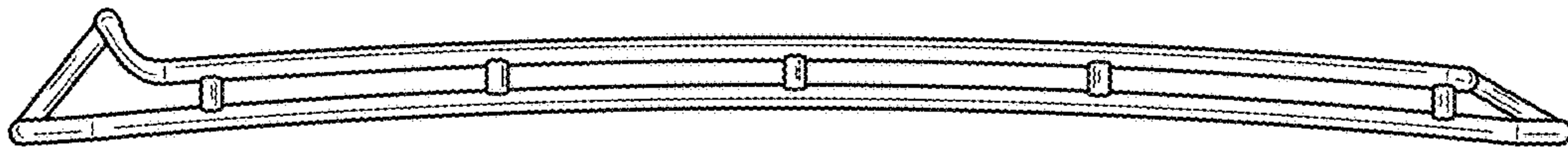


FIG. 4

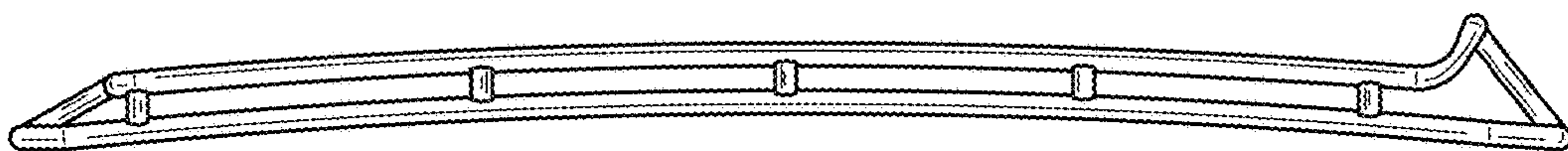


FIG. 5

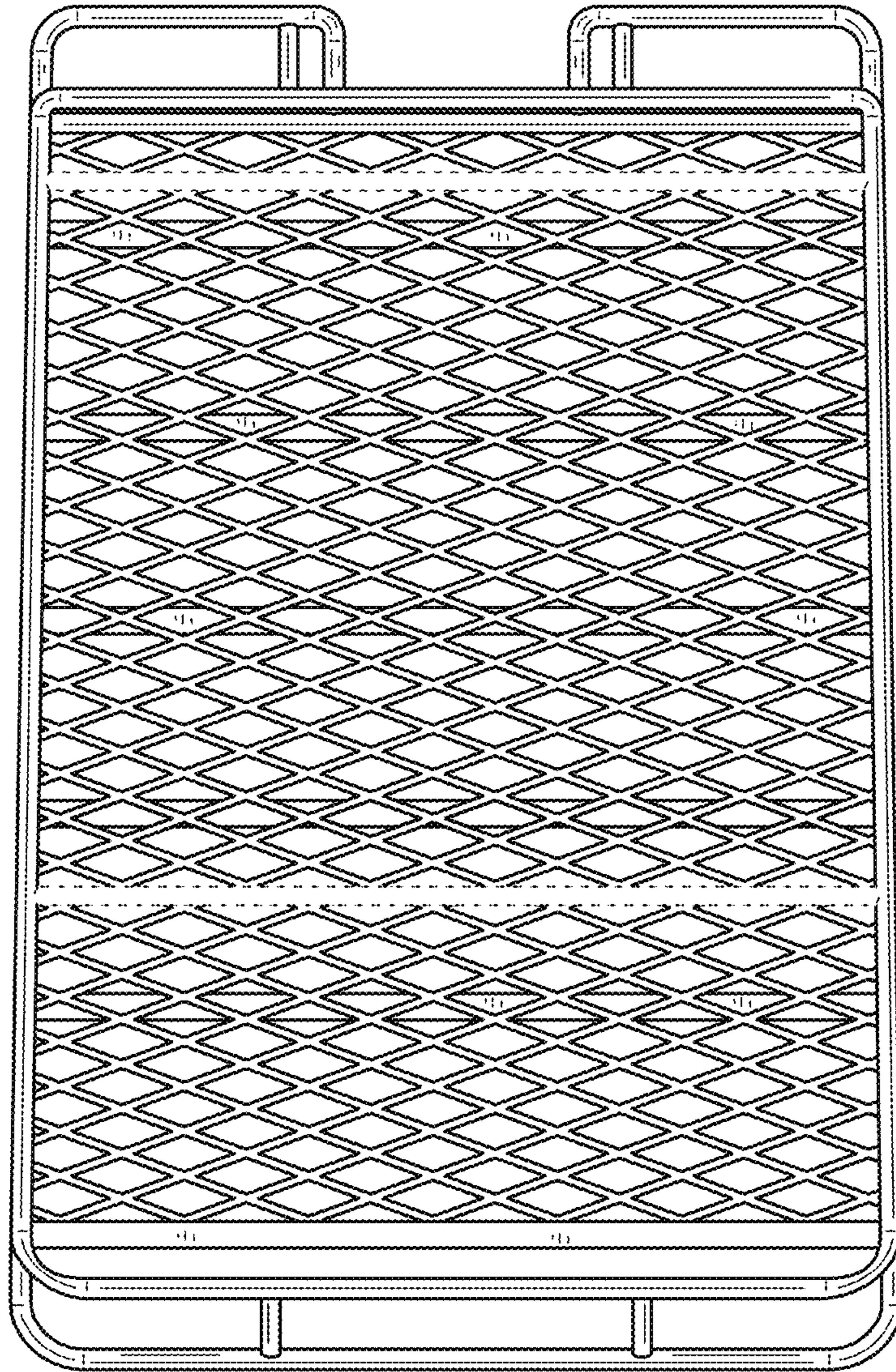


FIG.6

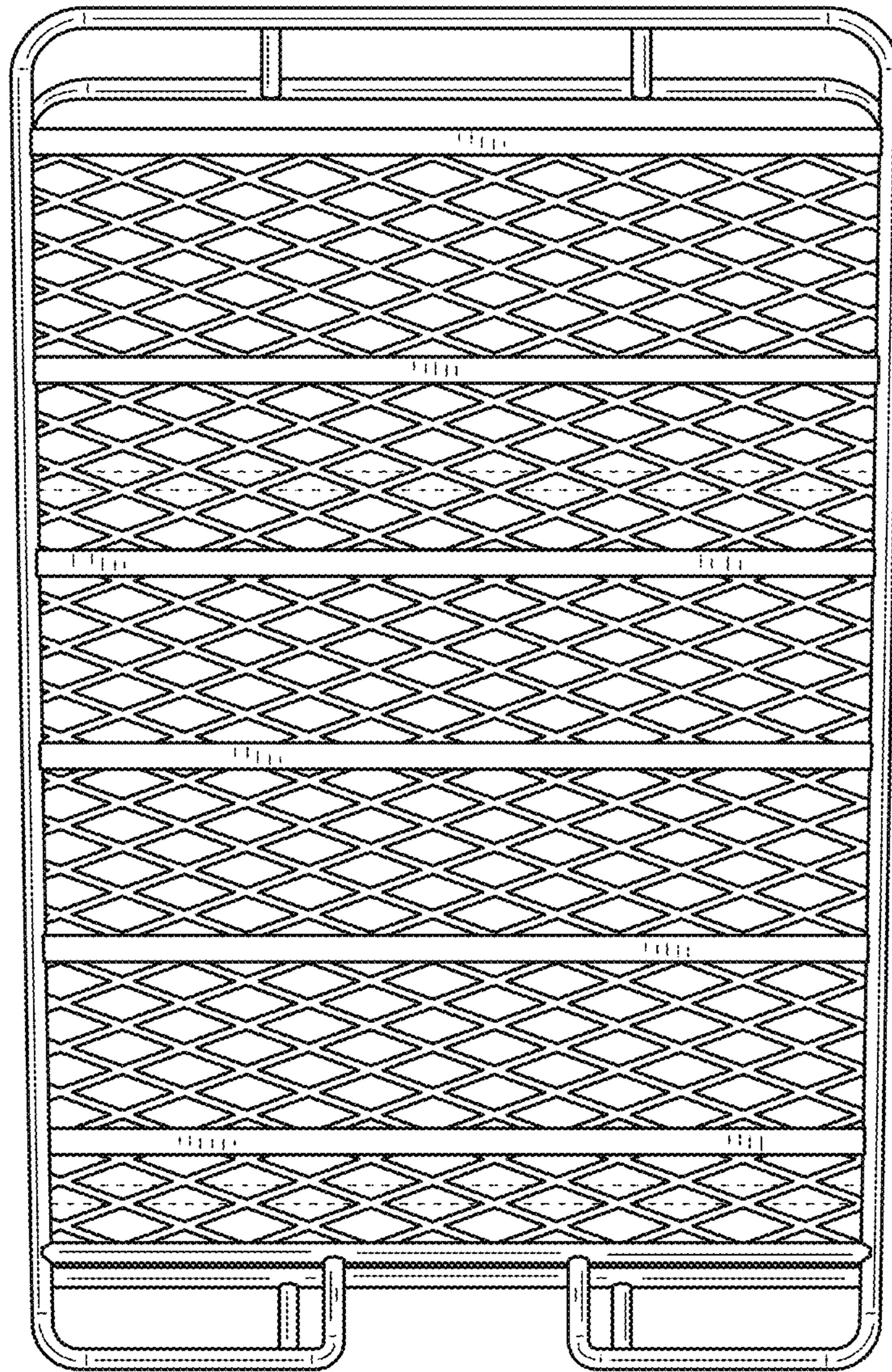


FIG.7

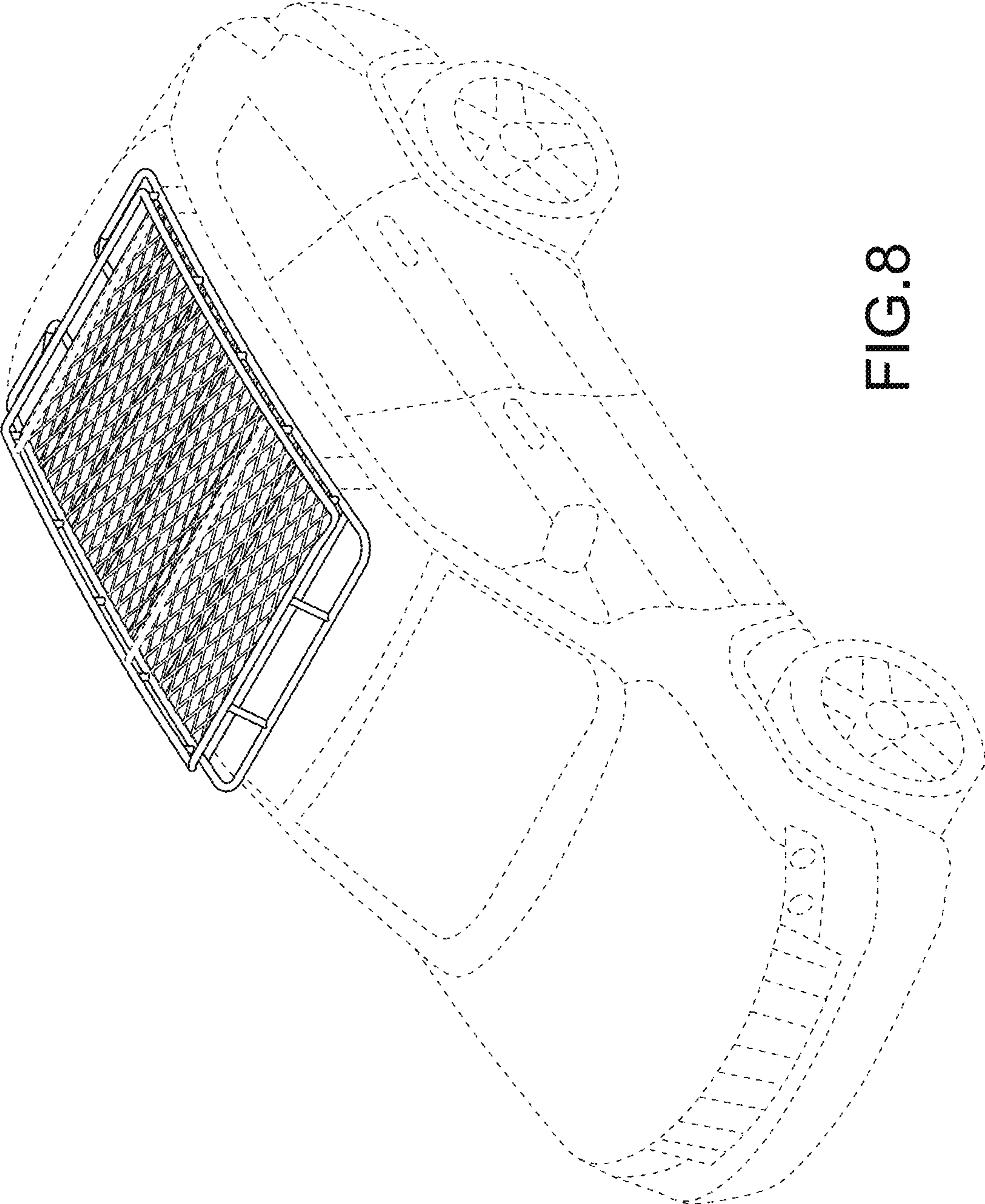


FIG.8

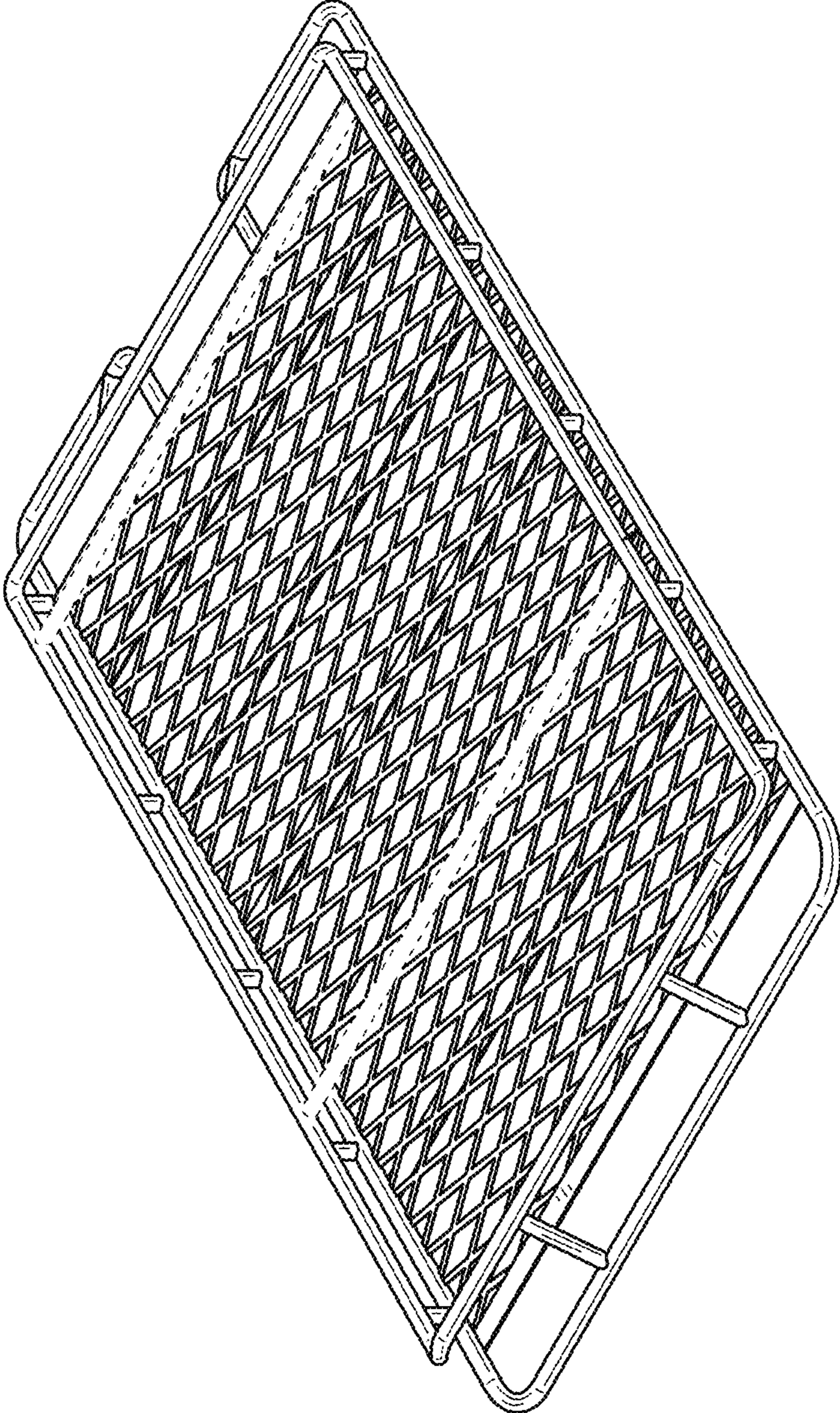


FIG.9

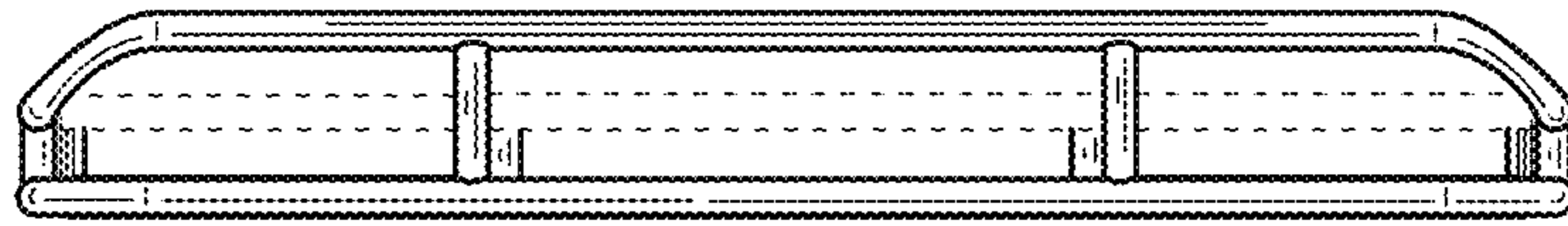


FIG.10



FIG.11

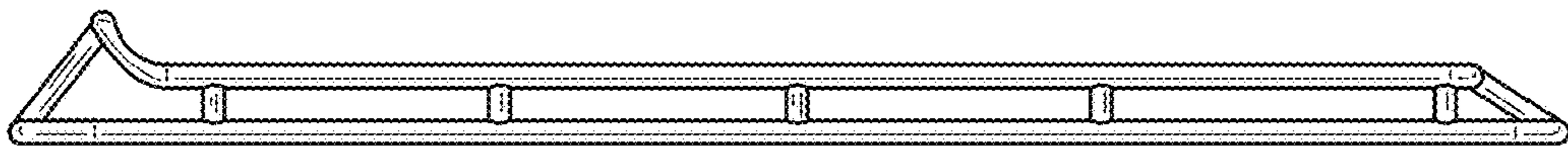


FIG.12

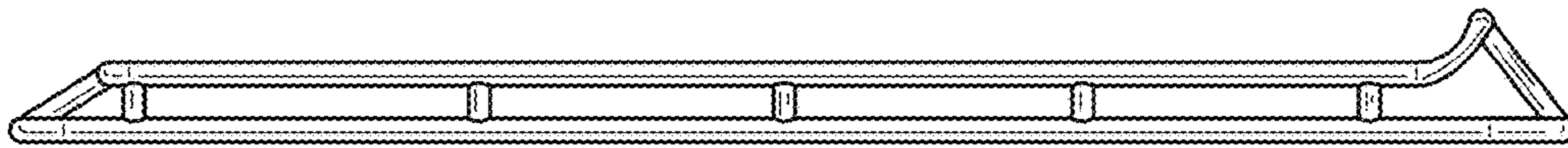


FIG.13

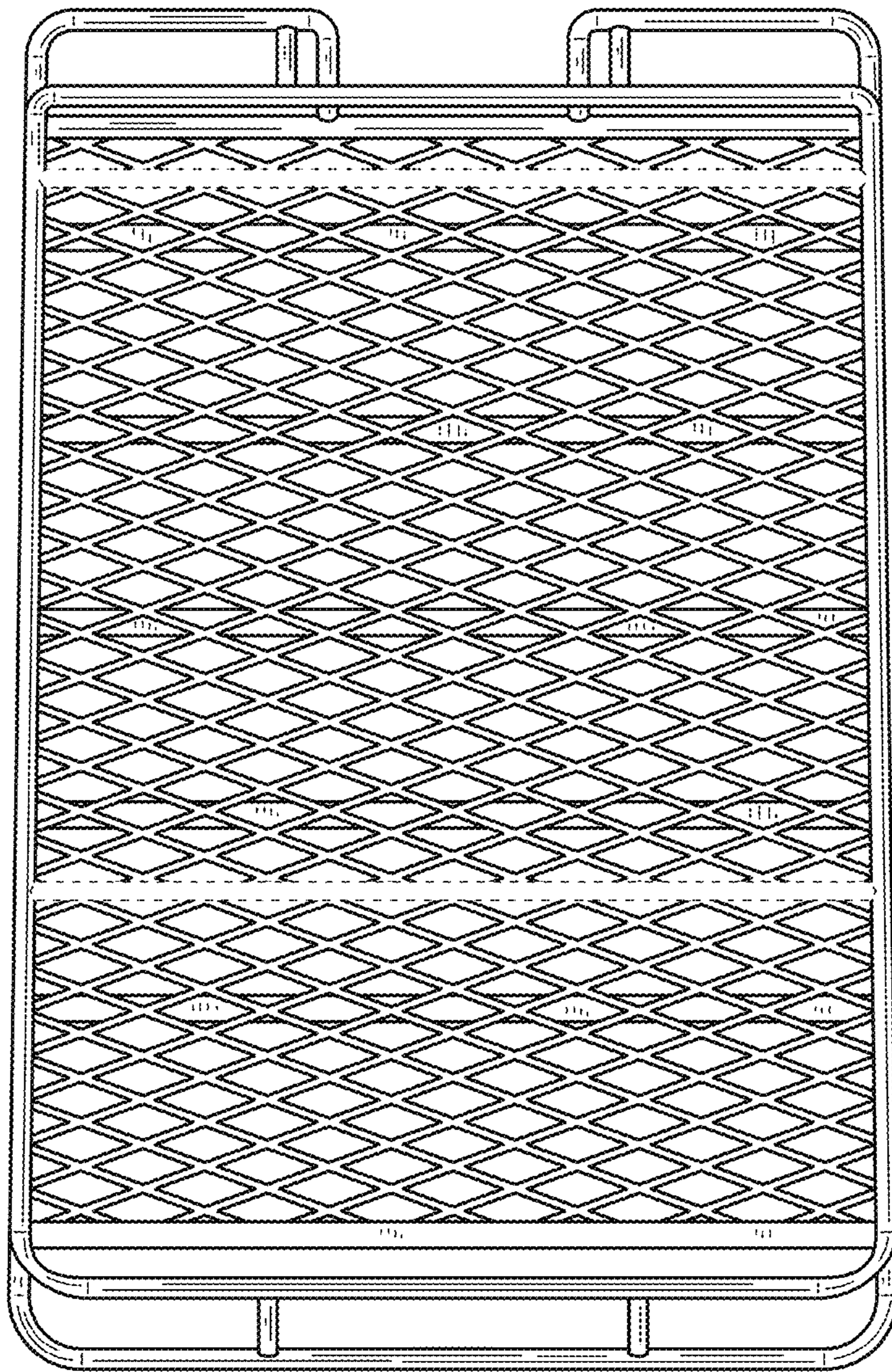


FIG.14

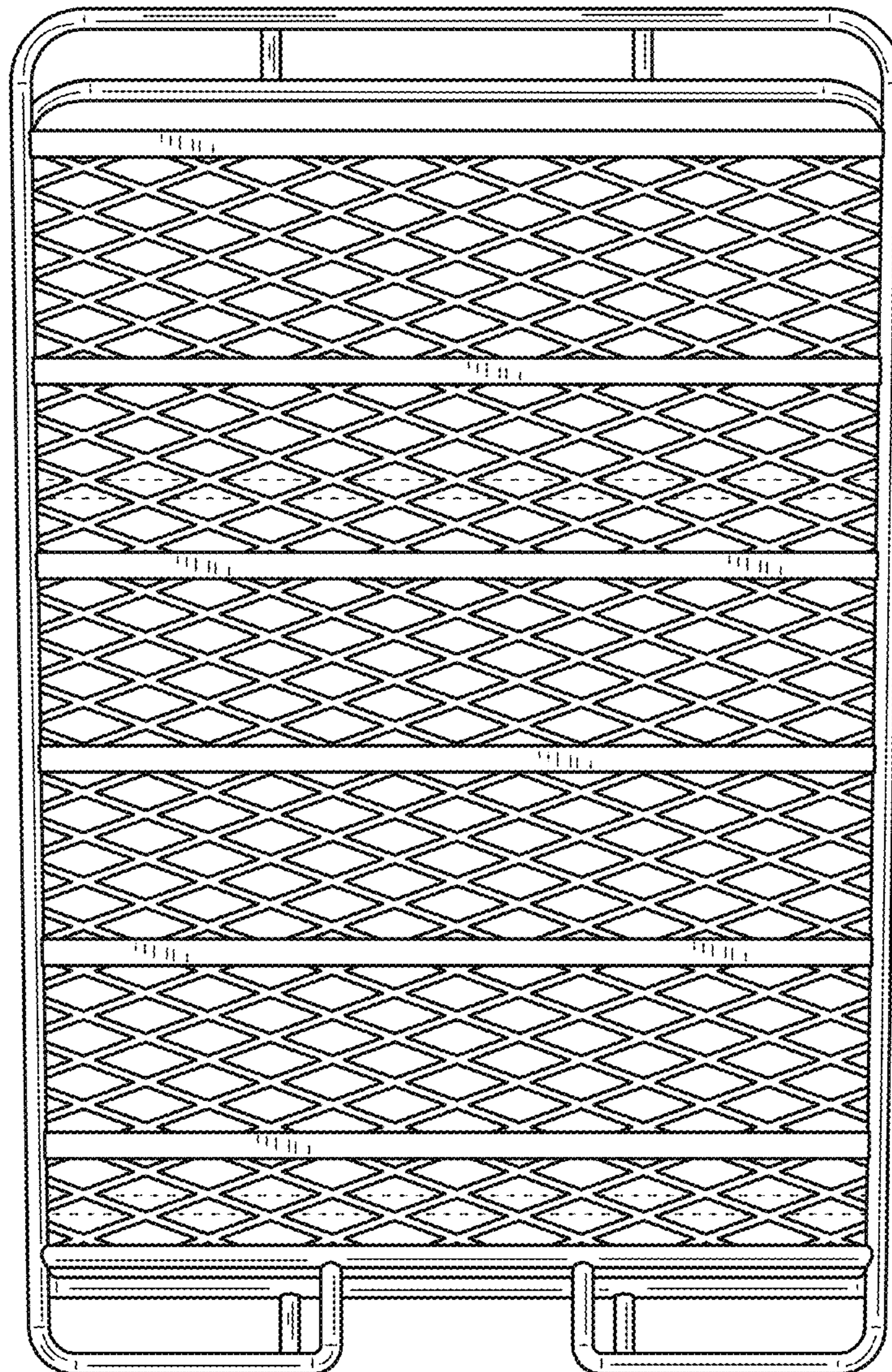


FIG.15

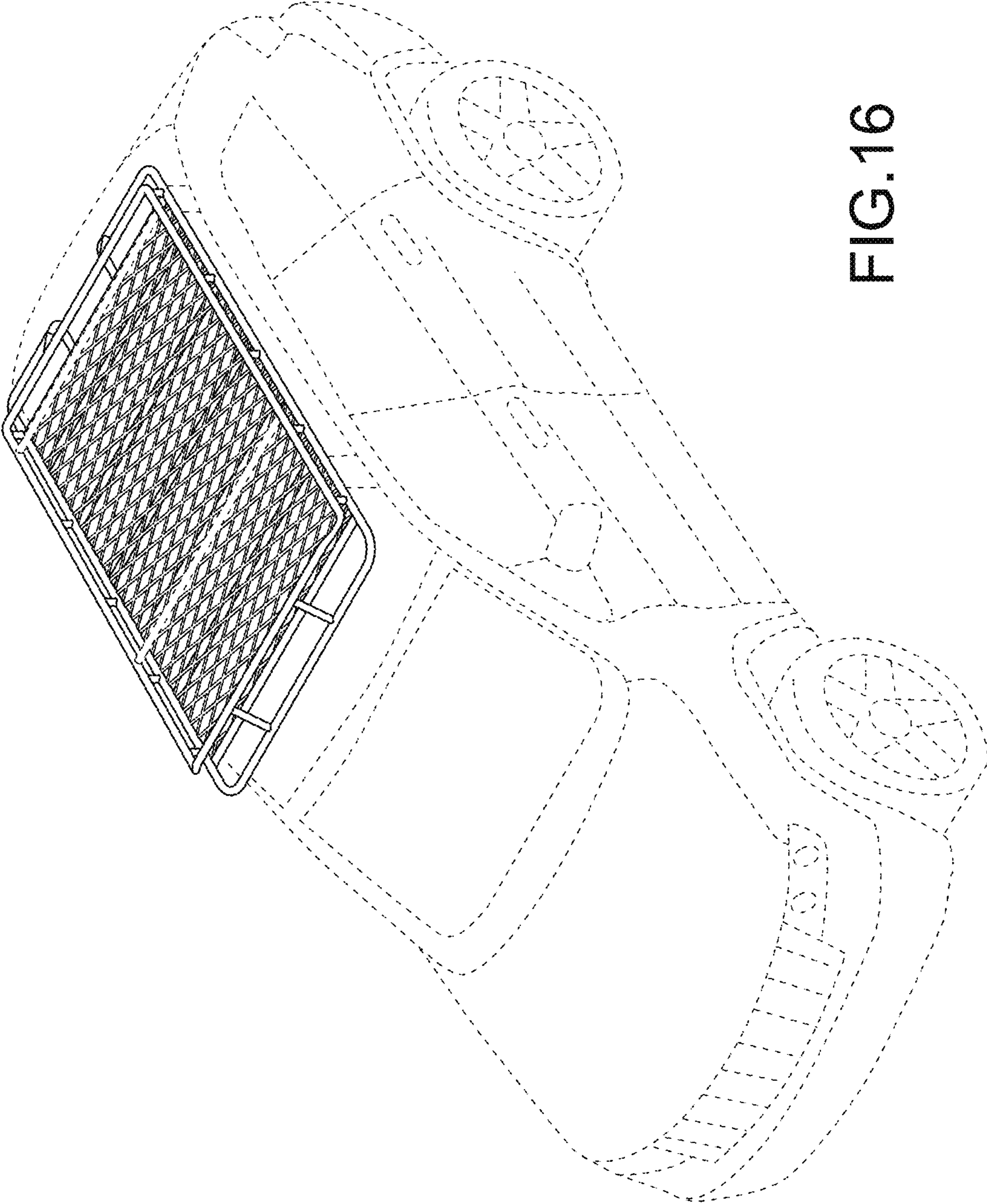


FIG.16