



US00D841560S

(12) **United States Design Patent** (10) **Patent No.:** **US D841,560 S**
DeGiule et al. (45) **Date of Patent:** **** Feb. 26, 2019**

(54) **VEHICLE TRUNK GUARD**
(71) Applicant: **O’Poc, LLC**, Rensselaer, NY (US)
(72) Inventors: **Bernhardt D. DeGiule**, Nassau, NY (US); **Debra DeGiule**, Nassau, NY (US)
(73) Assignee: **O’POC, LLC**, Rensselaer, NY (US)
(**) Term: **15 Years**
(21) Appl. No.: **29/608,824**
(22) Filed: **Jun. 26, 2017**
(51) **LOC (11) Cl.** **12-16**
(52) **U.S. Cl.**
USPC **D12/400; D12/406**
(58) **Field of Classification Search**
USPC D12/412, 406, 413, 414, 414.1, 400;
D6/552; D3/304–306
CPC B60R 9/04; B60R 9/048; B60R 9/045
See application file for complete search history.

(56) **References Cited**
U.S. PATENT DOCUMENTS
5,090,605 A * 2/1992 Cucheran B60R 9/04
224/309
5,377,888 A * 1/1995 Baravalle B60R 9/058
224/309
5,738,258 A * 4/1998 Farrow B60R 9/08
224/309
6,892,913 B1 * 5/2005 Andersson B60R 9/10
224/172
7,108,163 B1 * 9/2006 Pedrini B60R 9/12
224/319
D577,508 S * 9/2008 Derocher D6/407
D581,858 S * 12/2008 Bogard D12/401

* cited by examiner

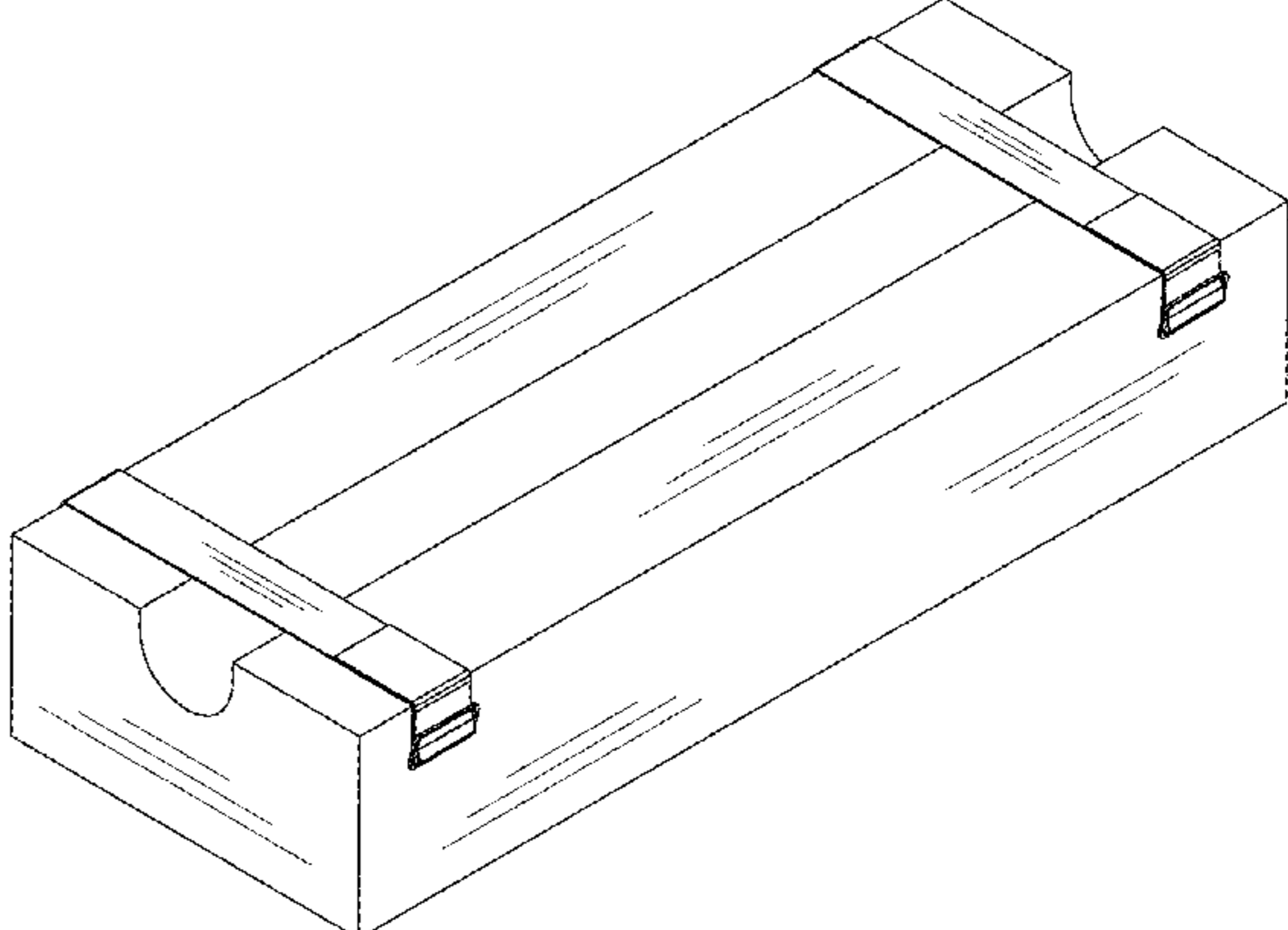
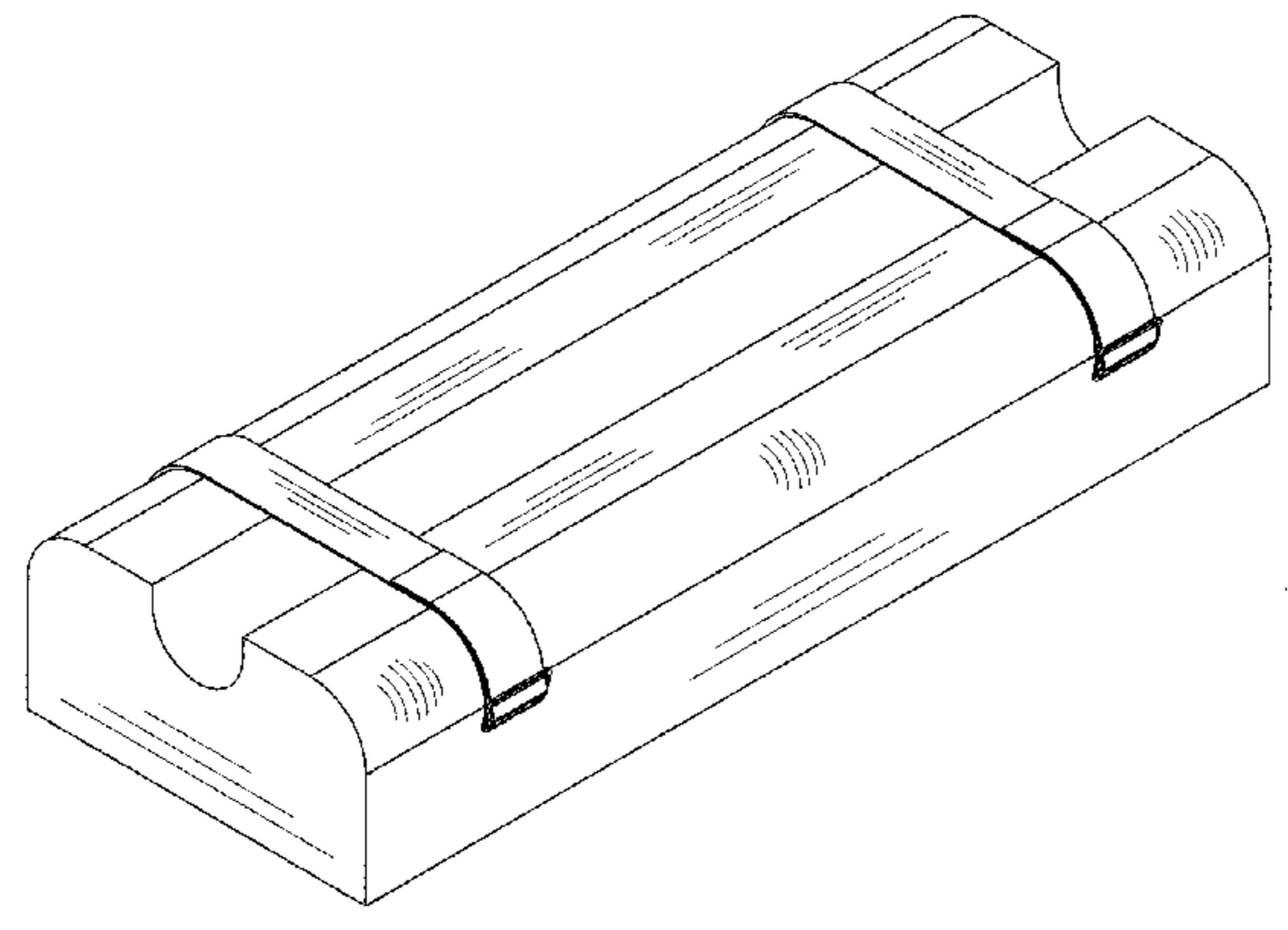
Primary Examiner — Katrina A Betton

(74) *Attorney, Agent, or Firm* — Schmeiser, Olsen & Watts, LLP

(57) **CLAIM**
The ornamental design for a vehicle trunk guard, as shown and described.

DESCRIPTION
FIG. 1 is a perspective view of a first embodiment of a vehicle trunk guard of the new design;
FIG. 2 is a front view thereof;
FIG. 3 is a rear view thereof;
FIG. 4 is a left side view thereof;
FIG. 5 is a right side view thereof;
FIG. 6 is a top view thereof;
FIG. 7 is a bottom view thereof
FIG. 8 is a cross-section view of a first type of the first embodiment;
FIG. 9 is a cross-section view of a second type of the first embodiment;
FIG. 10 is a perspective view of the first embodiment on a trunk of a vehicle;
FIG. 11 is a perspective view of a second embodiment of a vehicle trunk guard of the new design;
FIG. 12 is a front view thereof;
FIG. 13 is a rear view thereof;
FIG. 14 is a left side view thereof;
FIG. 15 is a right side view thereof;
FIG. 16 is a top view thereof;
FIG. 17 is a bottom view thereof
FIG. 18 is a cross-section view of a first type of the second embodiment;
FIG. 19 is a cross-section view of a second type of the second embodiment; and,
FIG. 20 is a perspective view of the first embodiment on a trunk of a vehicle.
The broken lines in the Figures are for illustrative purposes only and form no part of the claimed invention.

1 Claim, 16 Drawing Sheets



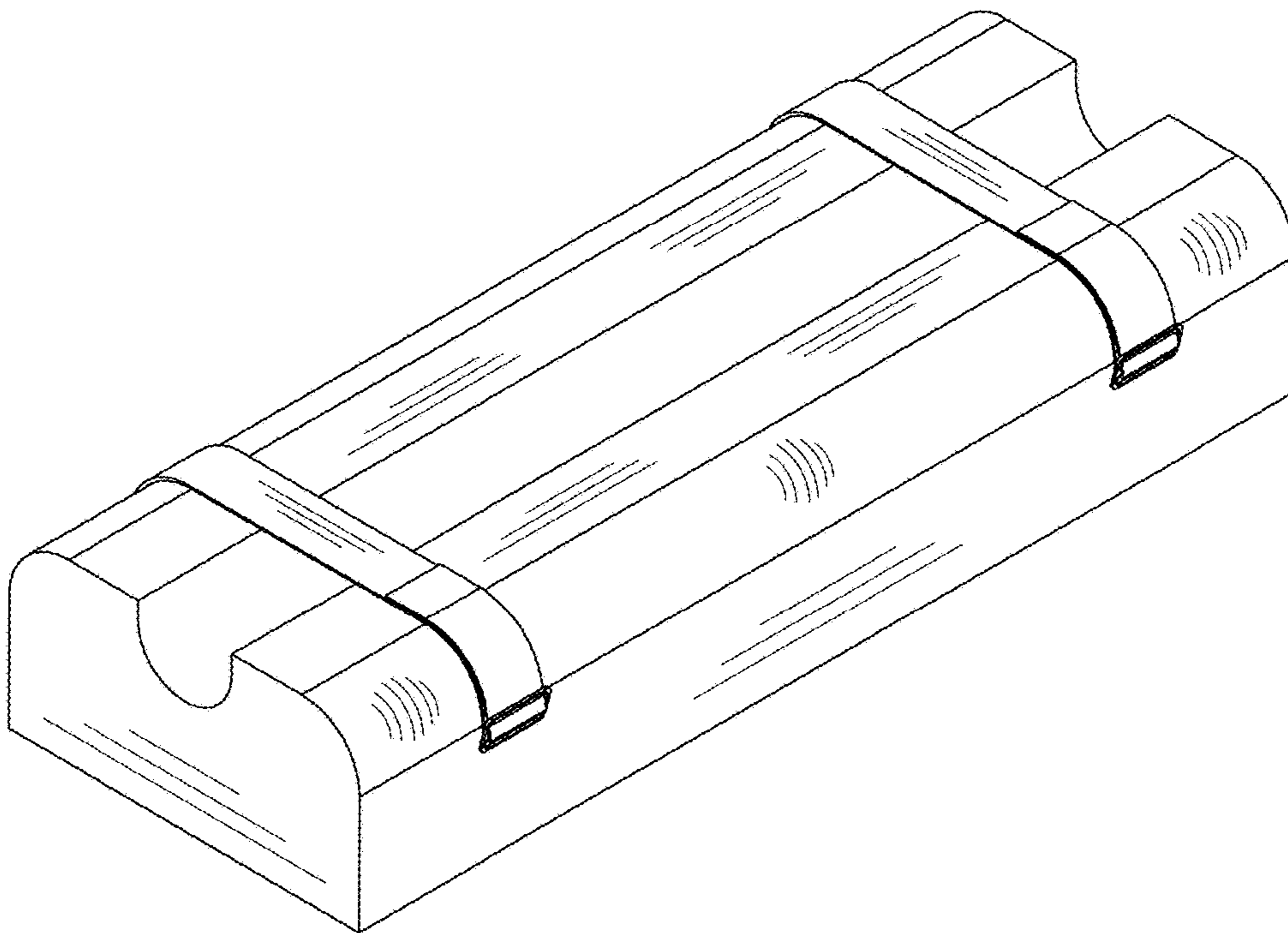


FIG. 1

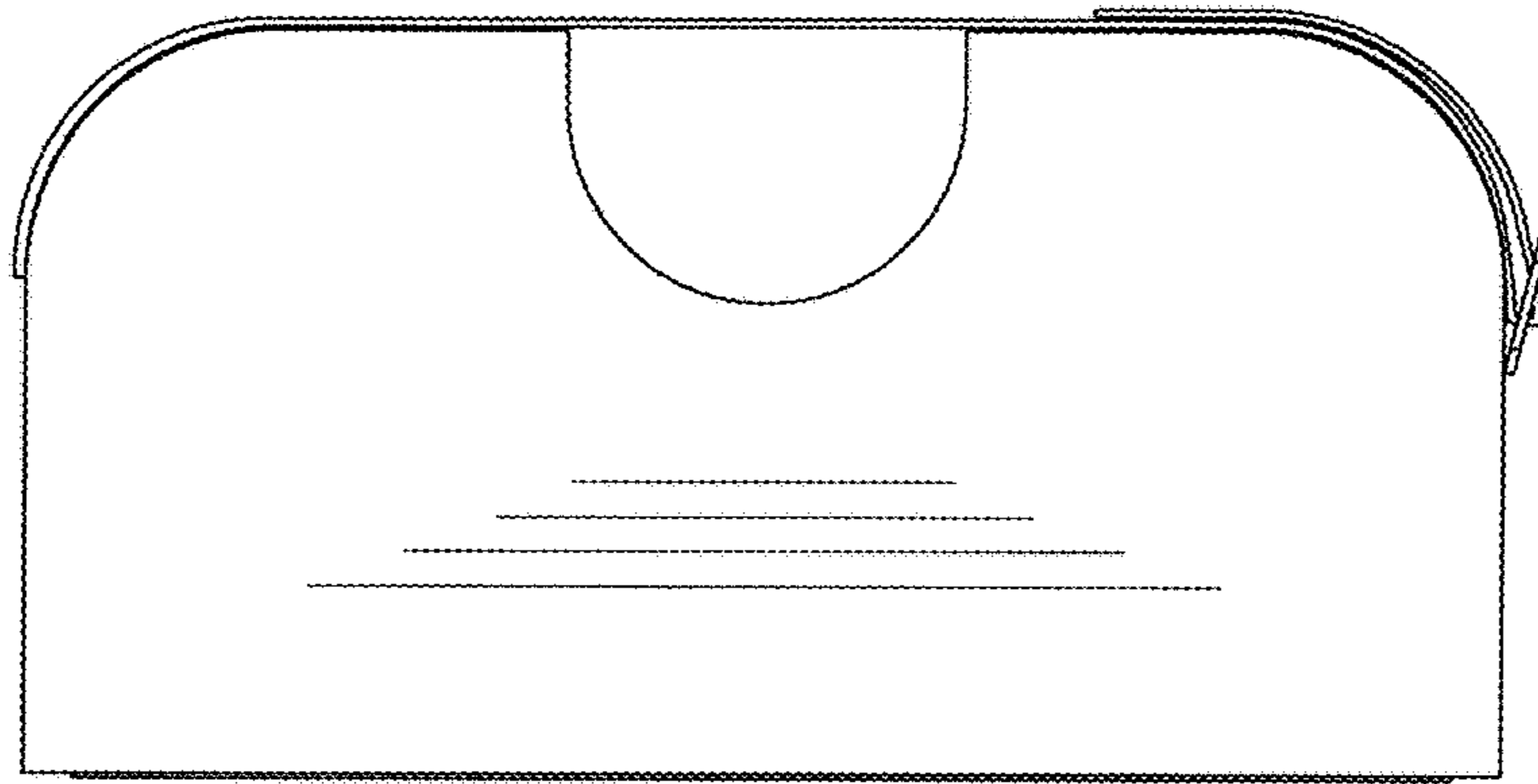


FIG. 2

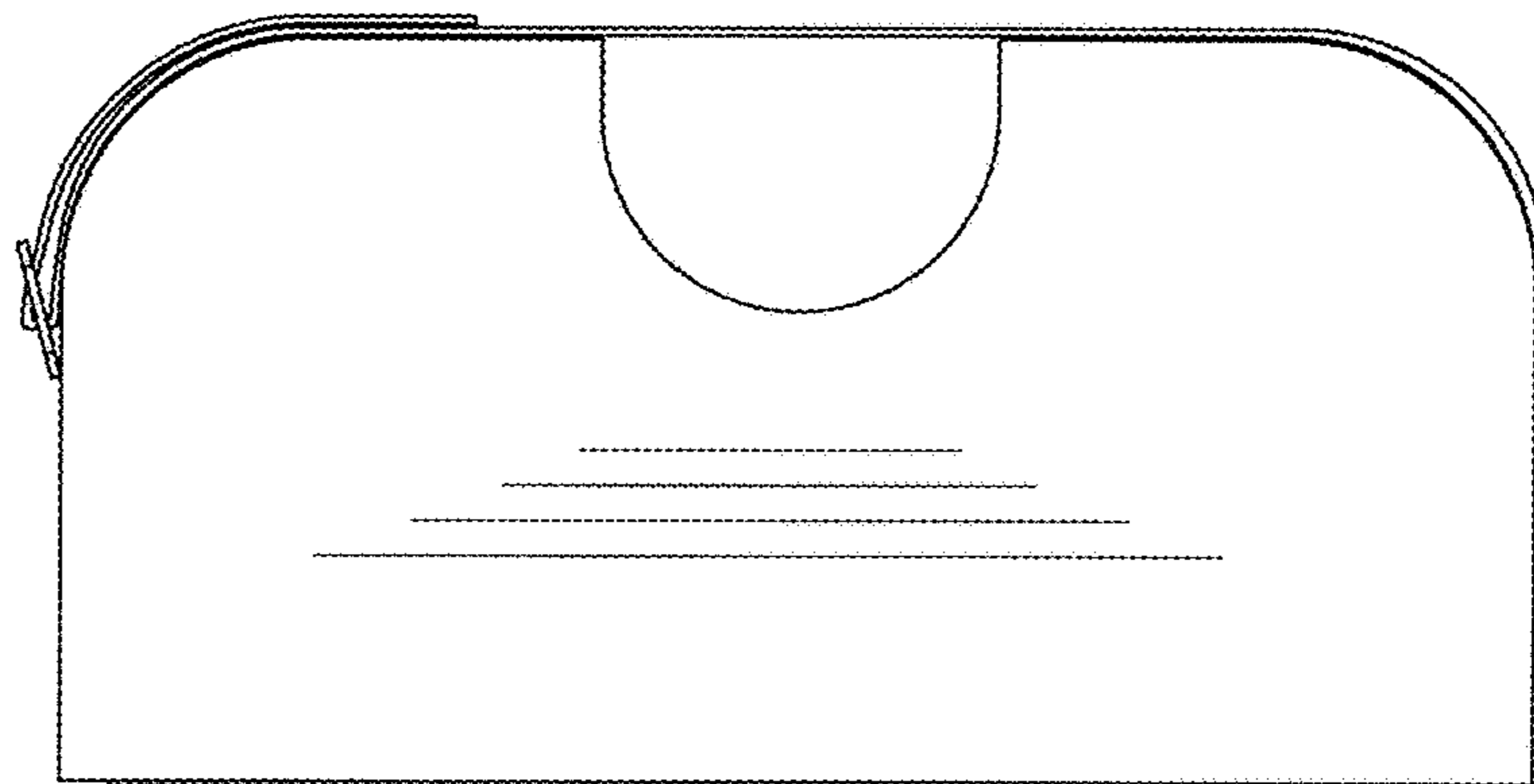


FIG. 3

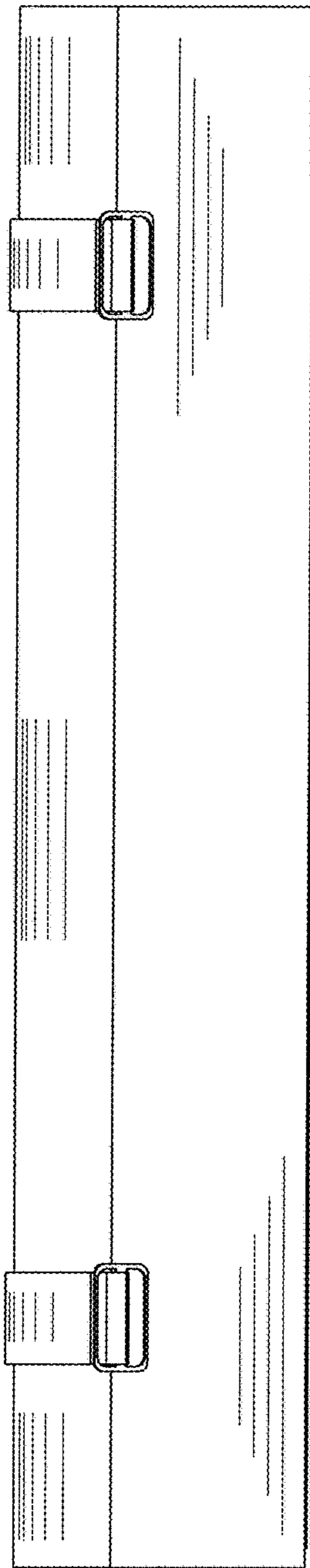


FIG. 4

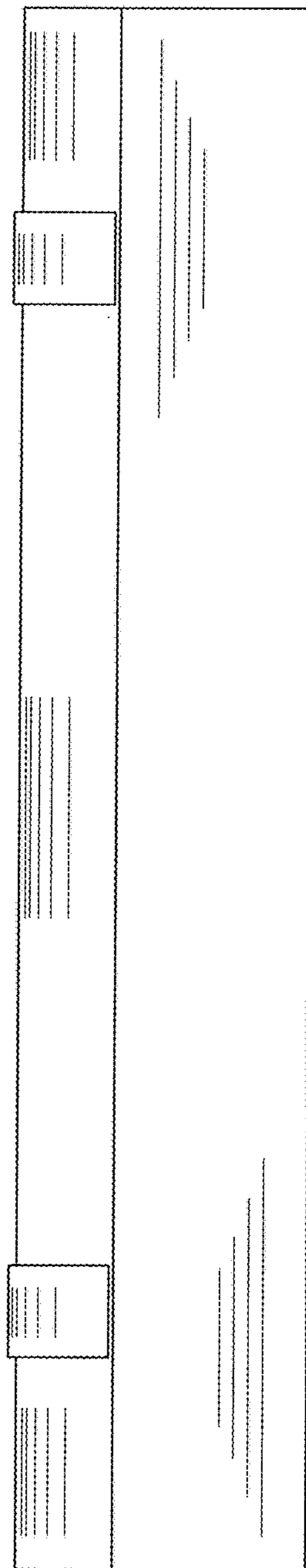


FIG. 5

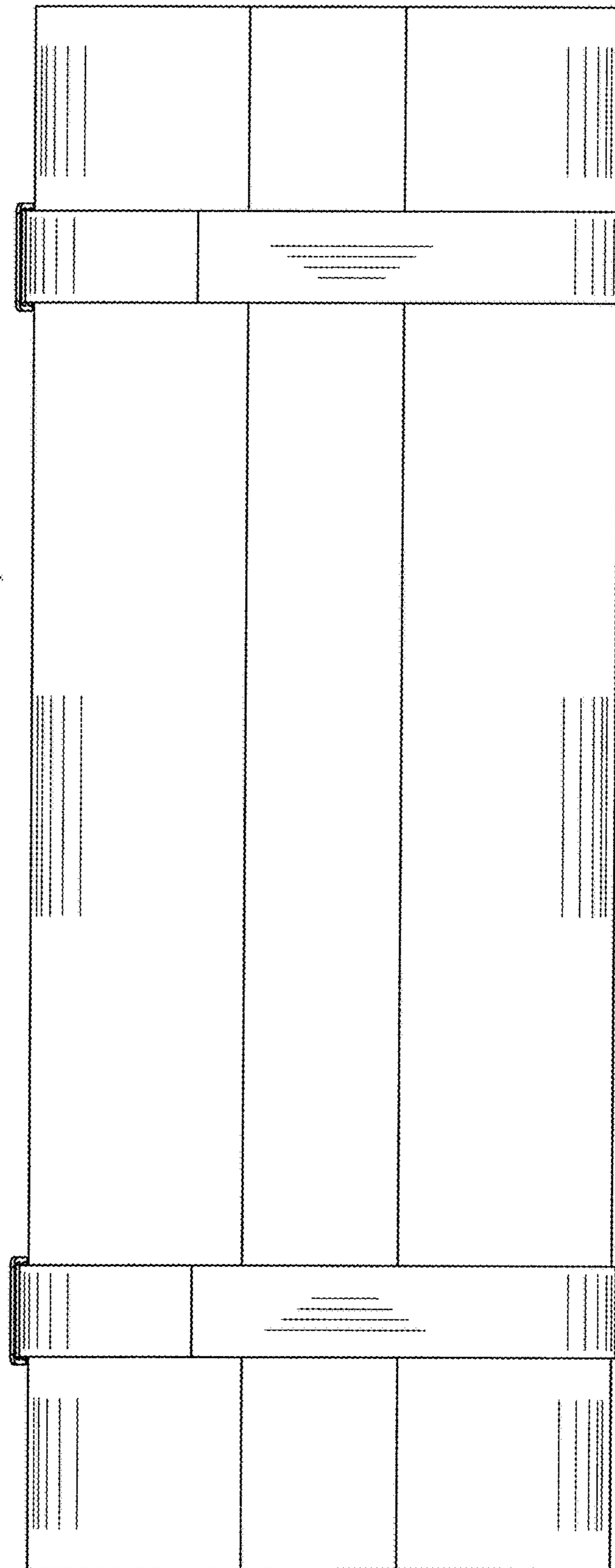


FIG. 6

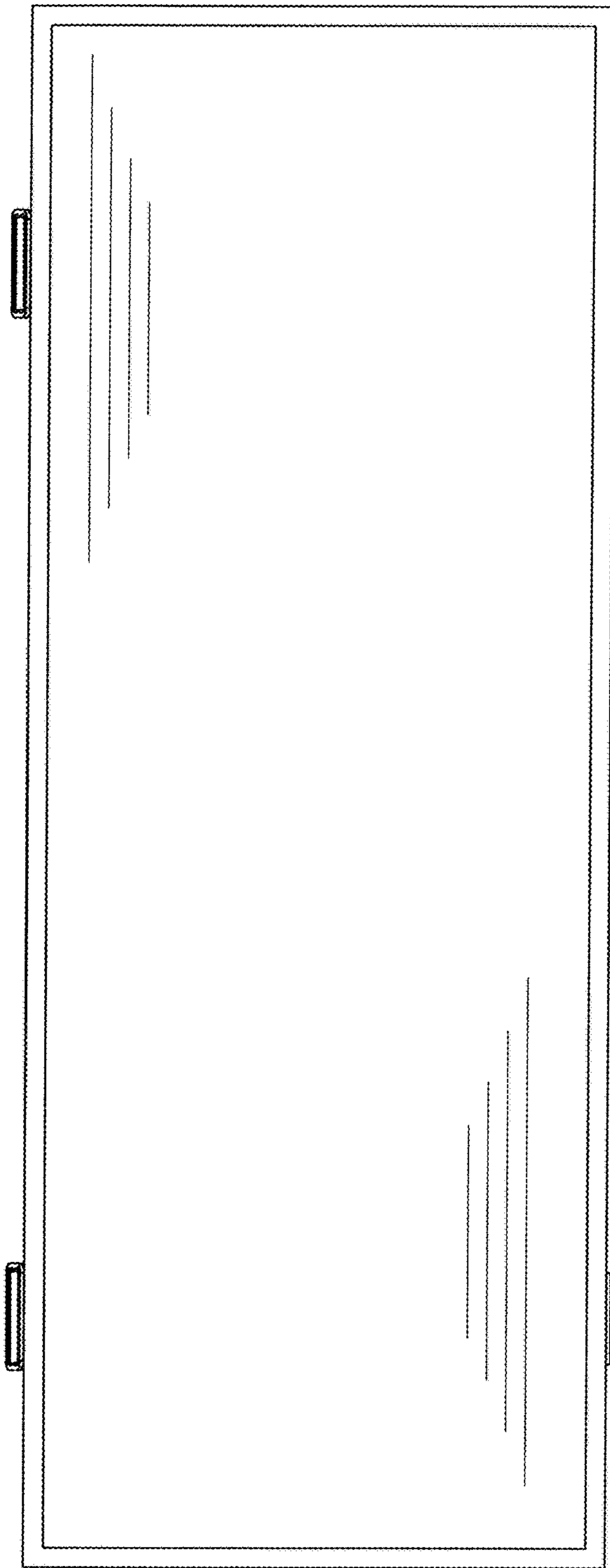


FIG. 7

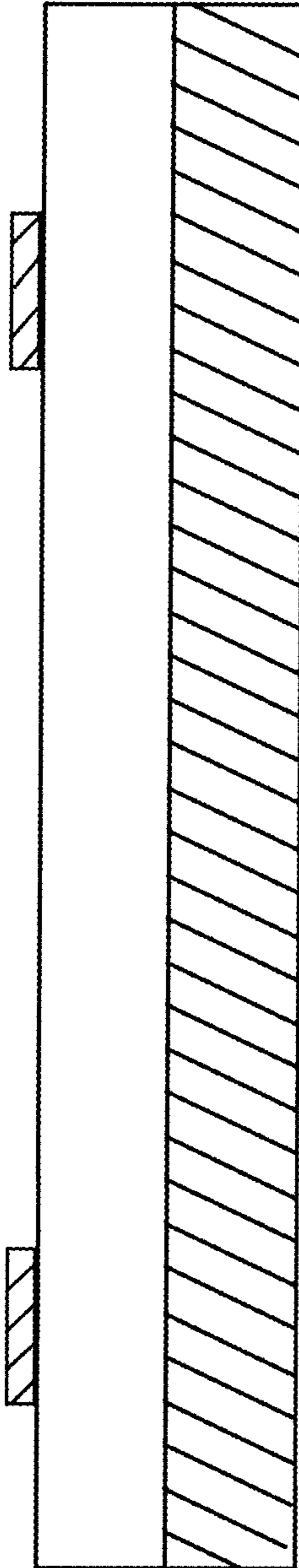


FIG. 8

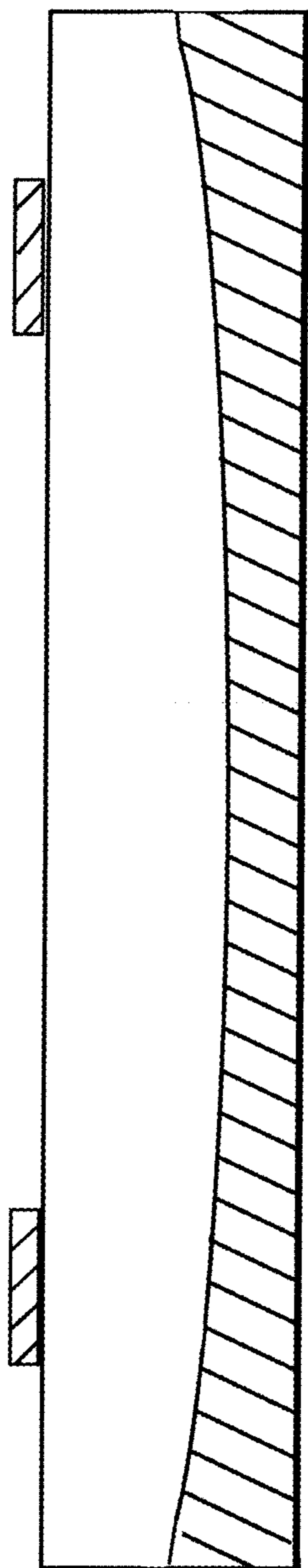


FIG. 9

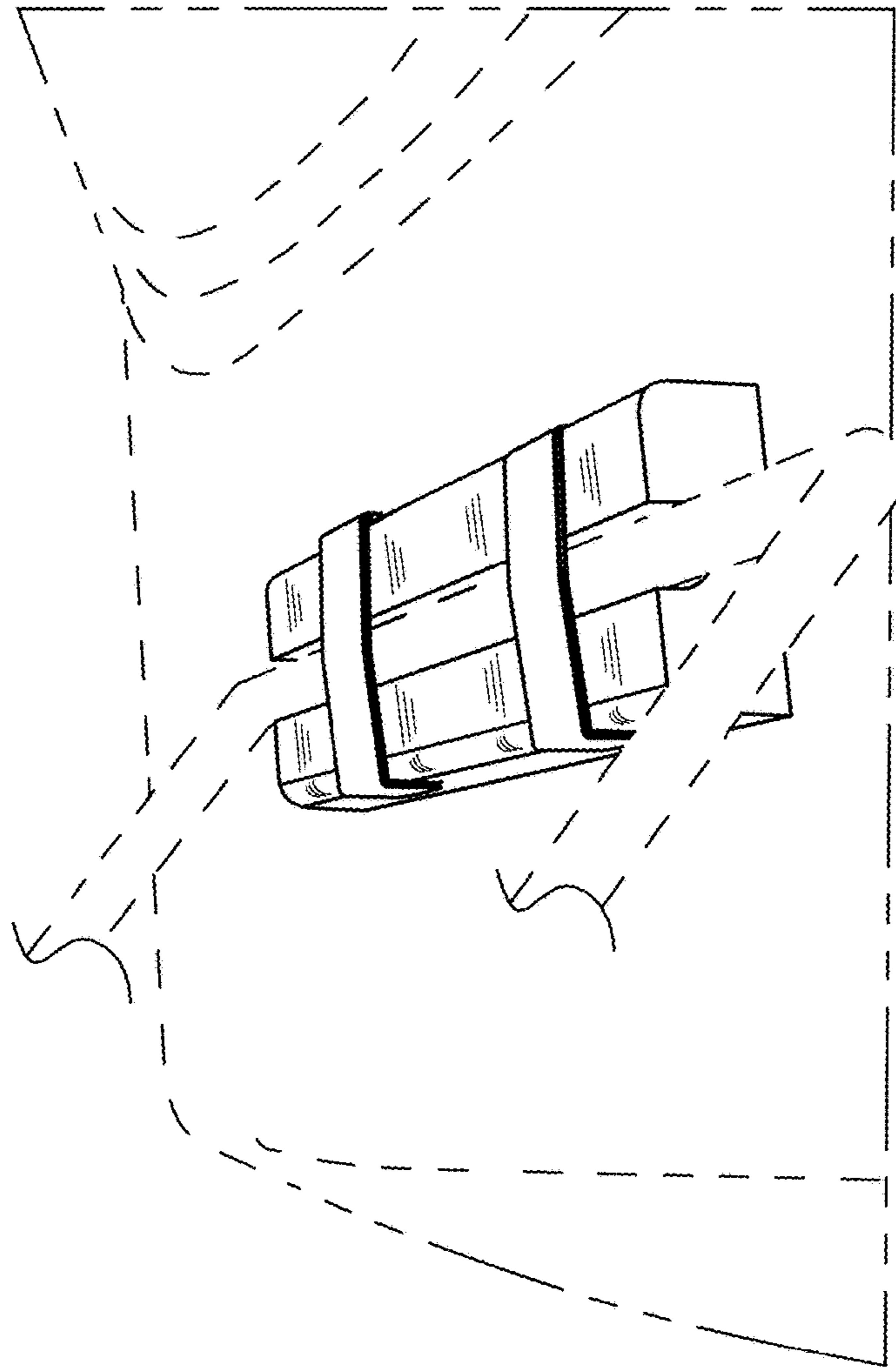


FIG. 10

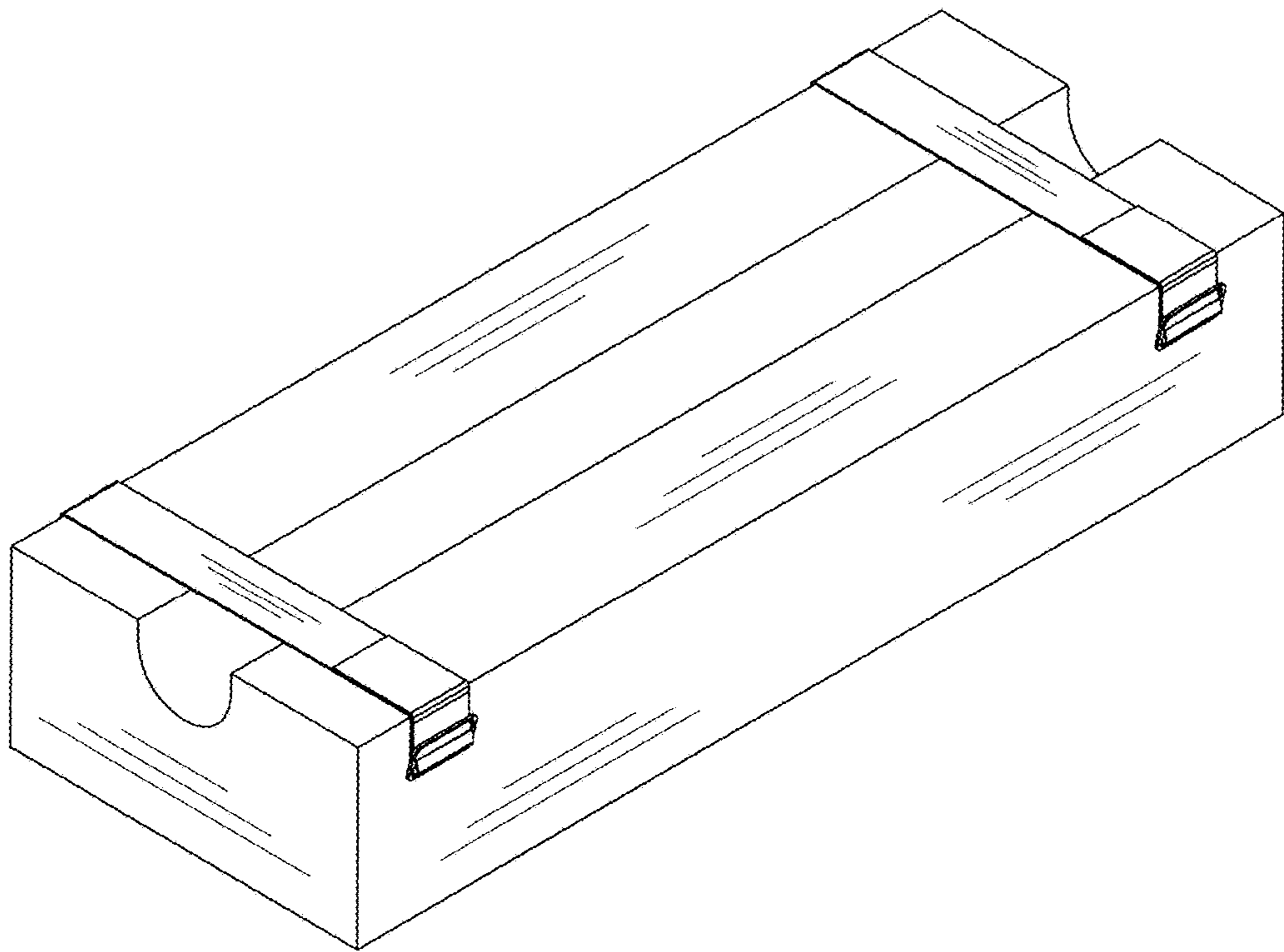


FIG. 11

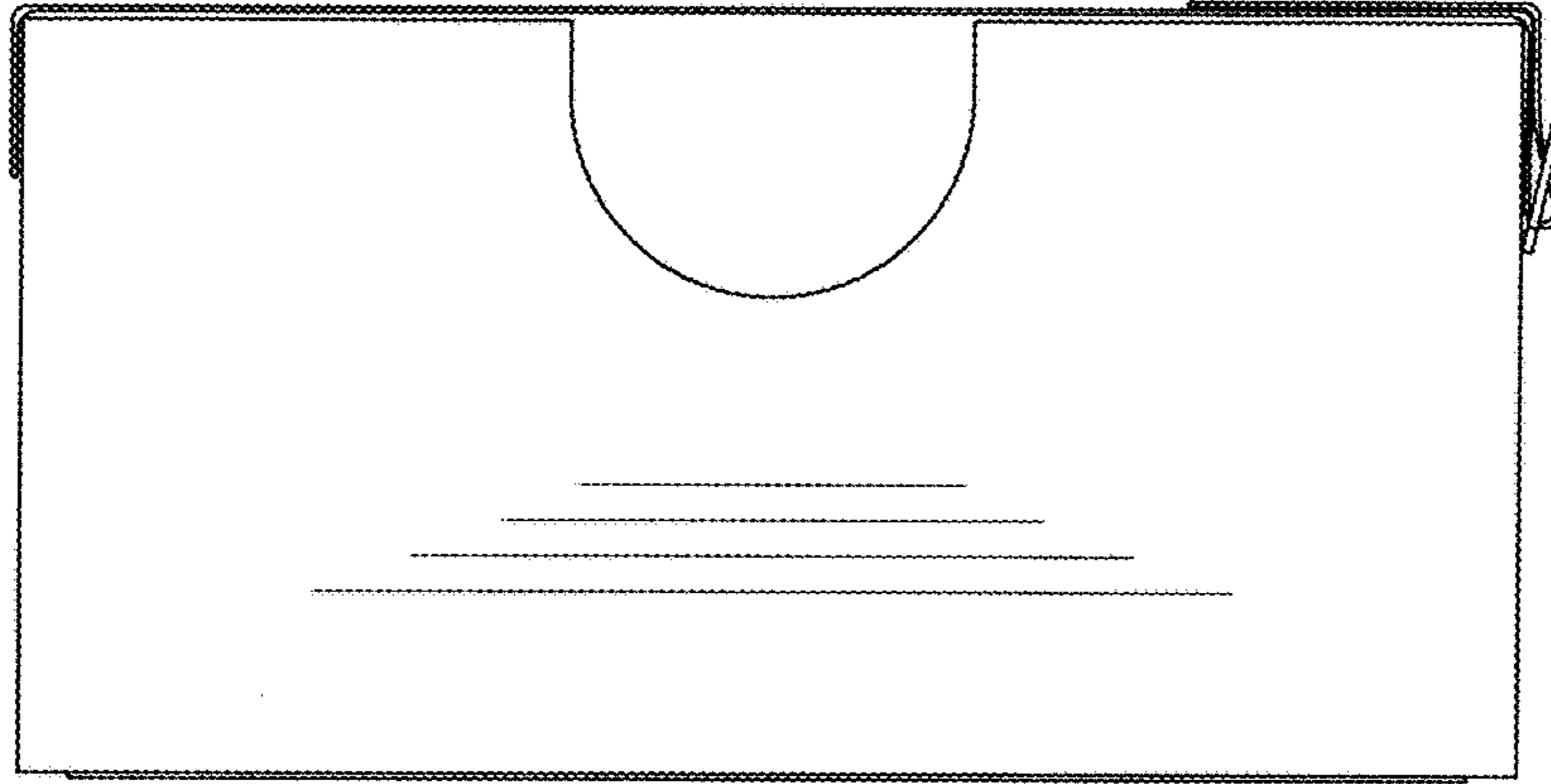


FIG. 12

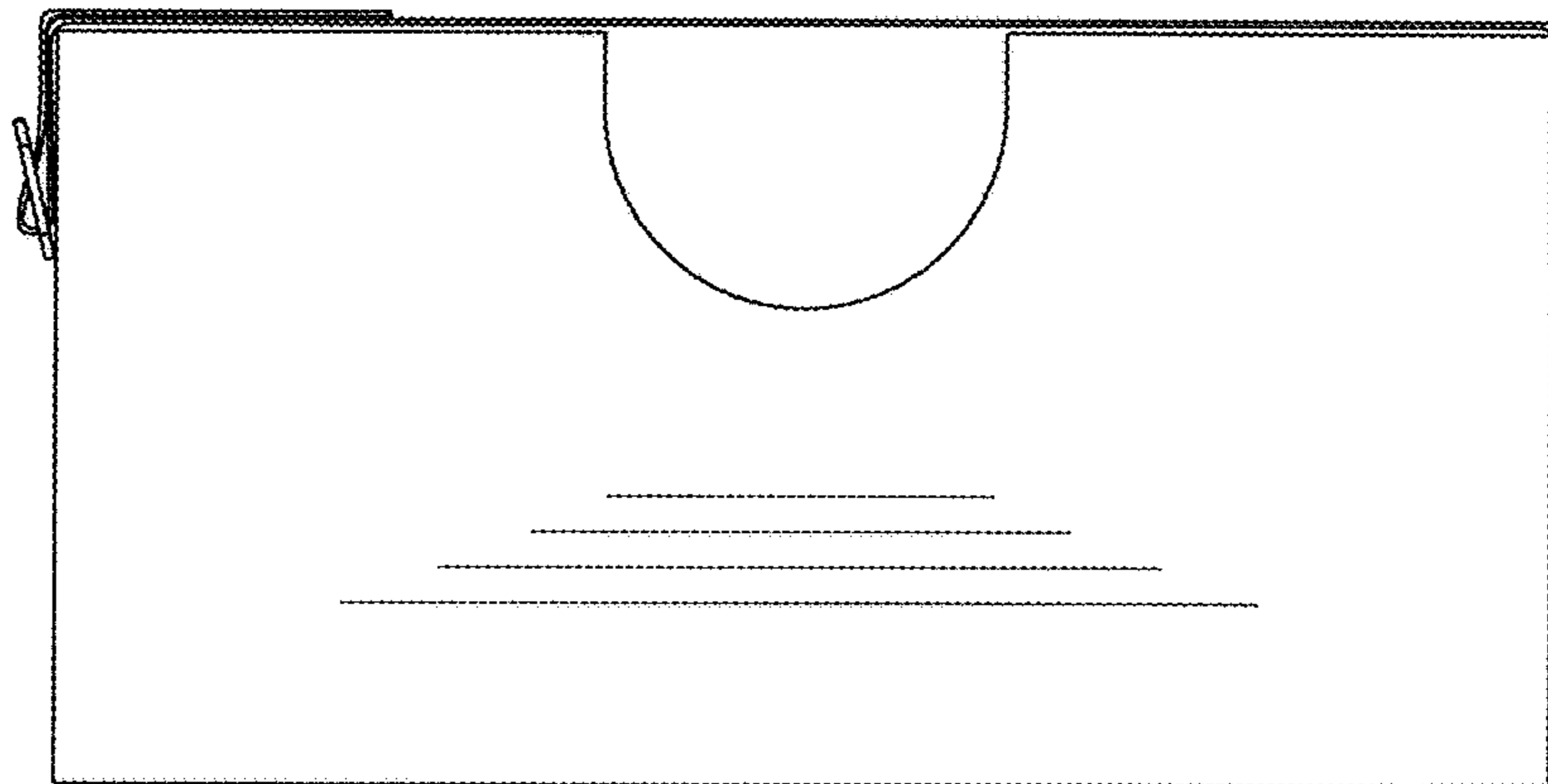


FIG. 13

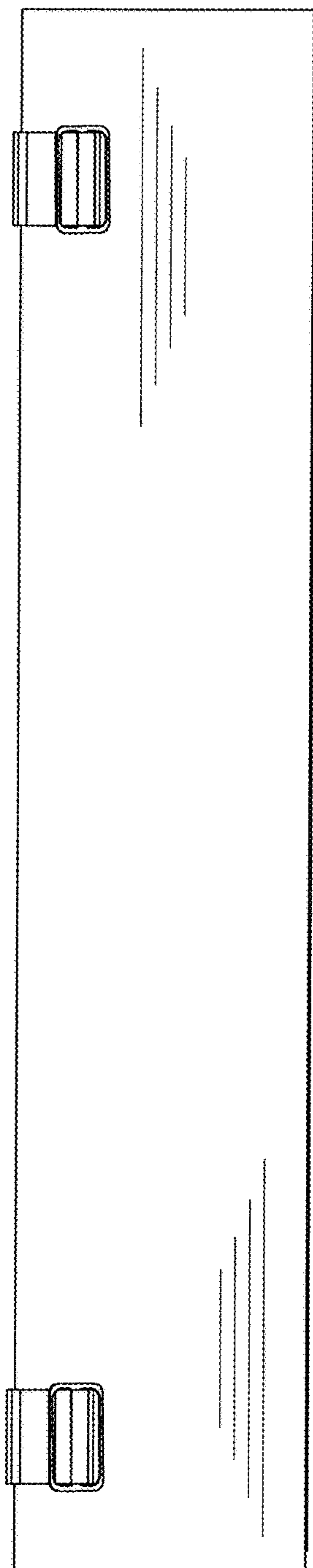


FIG. 14

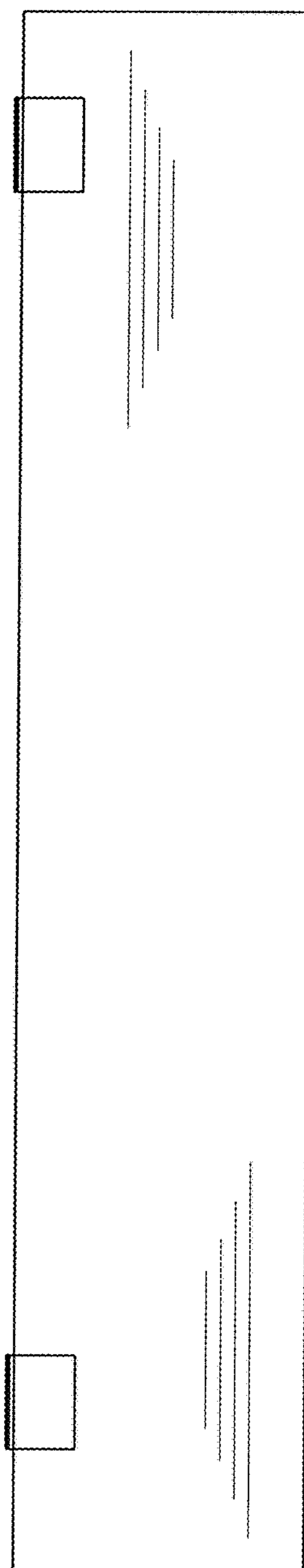


FIG. 15

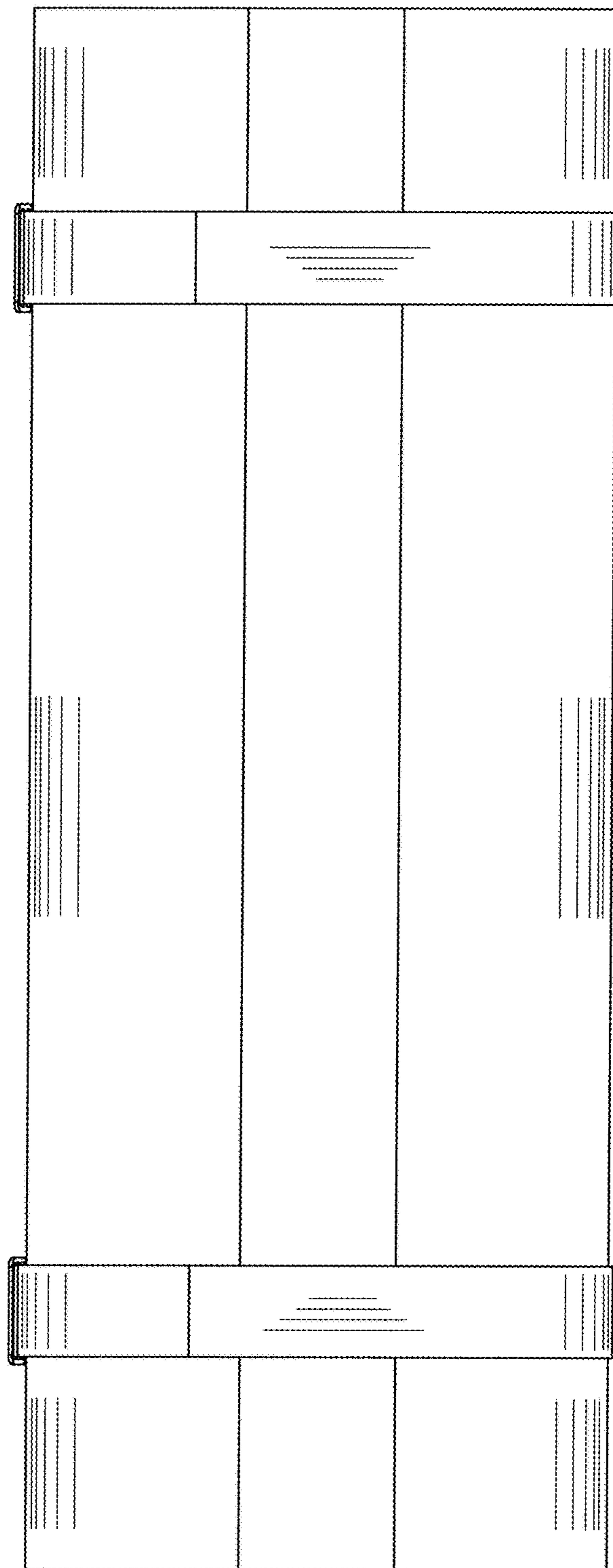


FIG. 16

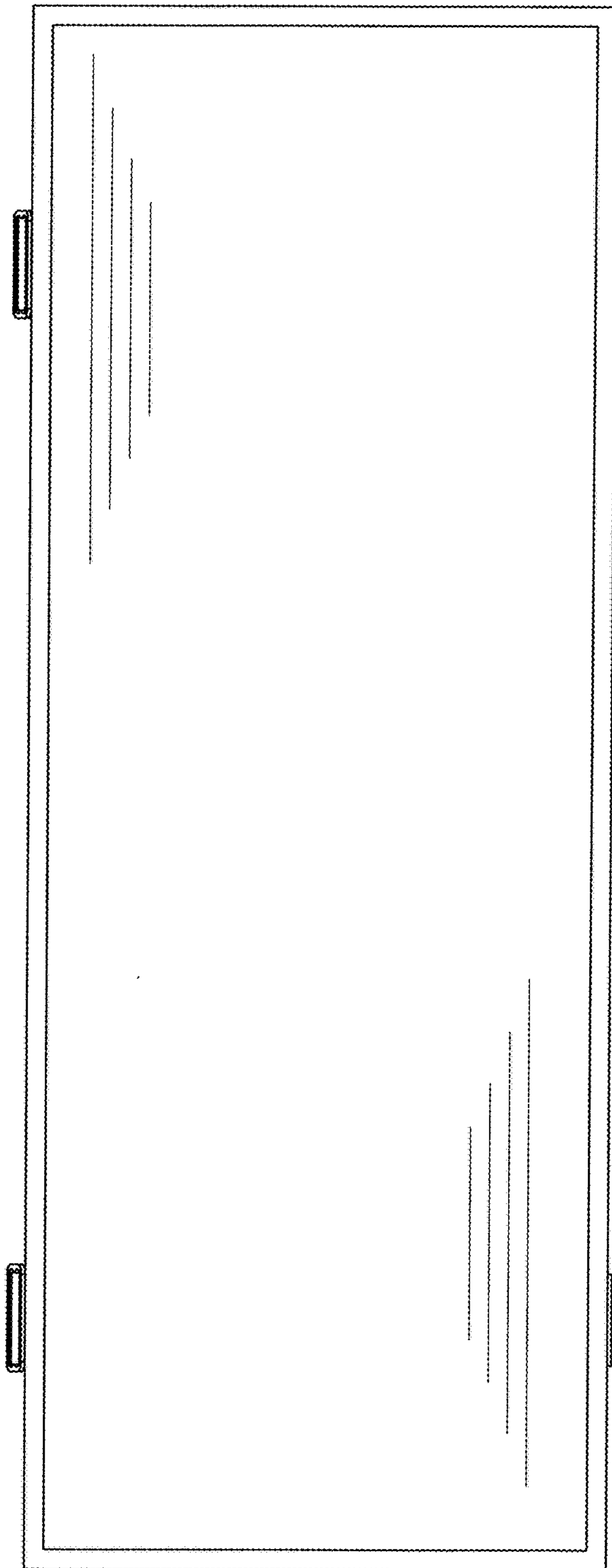


FIG. 17

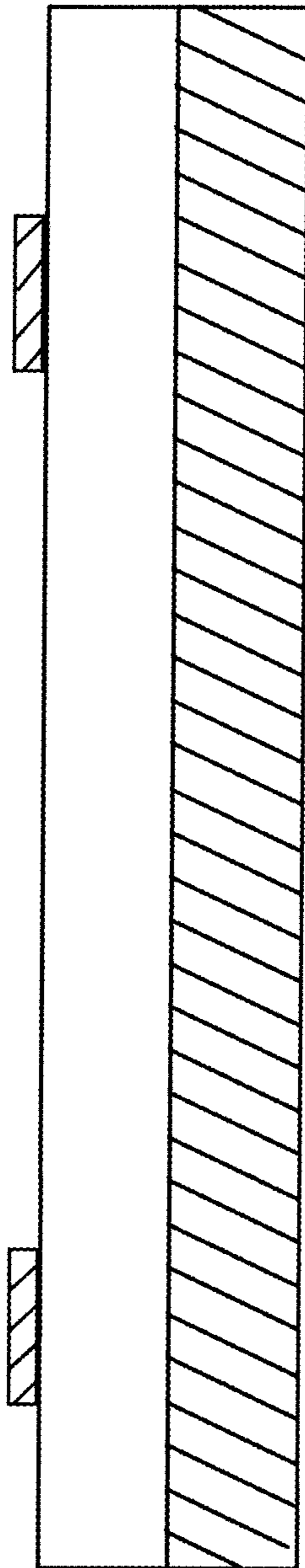


FIG. 18

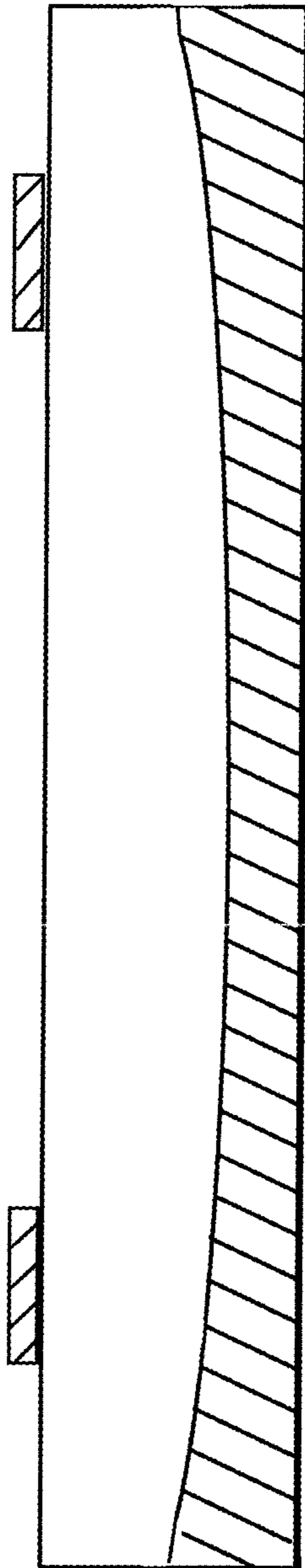


FIG. 19

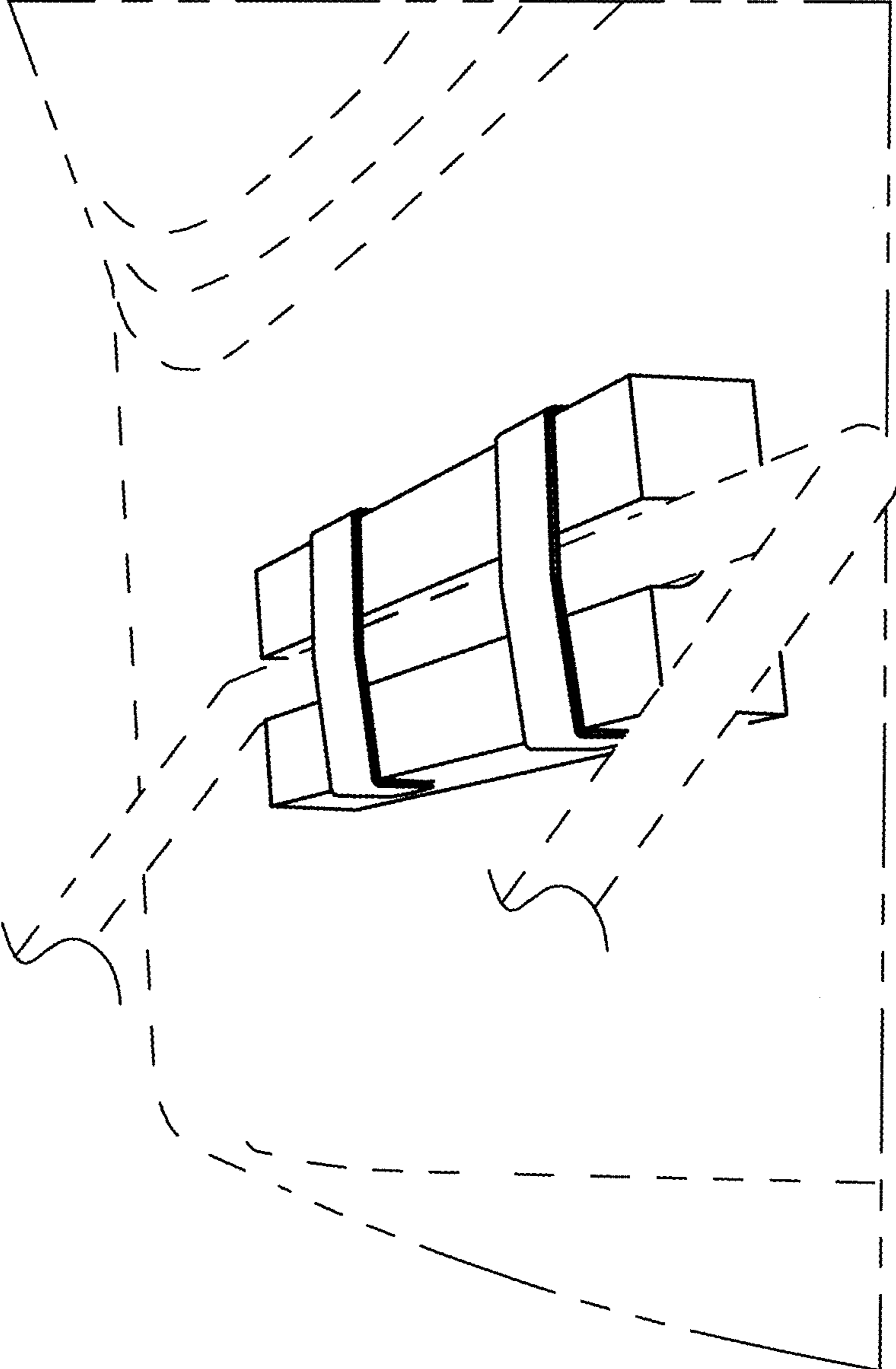


FIG. 20