



US00D841558S

(12) **United States Design Patent**
Mosingo

(10) **Patent No.:** **US D841,558 S**

(45) **Date of Patent:** **** Feb. 26, 2019**

- (54) **TRUCK BED STYLING ASSEMBLY**
- (71) Applicant: **N-Fab, Inc.**, Houston, TX (US)
- (72) Inventor: **Robert Mosingo**, Saline, MI (US)
- (73) Assignee: **N-Fab, Inc.**, Houston, TX (US)
- (**) Term: **15 Years**
- (21) Appl. No.: **29/624,115**
- (22) Filed: **Oct. 30, 2017**
- (51) **LOC (11) Cl.** **12-16**
- (52) **U.S. Cl.**
USPC **D12/222**
- (58) **Field of Classification Search**
USPC D12/222, 223, 400, 401, 404, 406, 41,
D12/414, 86, 93, 101; D6/552; D26/31
CPC B60J 1/06; B60R 27/00; B60Q 1/0483
See application file for complete search history.

- D783,503 S * 4/2017 Hensley D12/222
- D784,899 S * 4/2017 McConnell D12/222
- D809,990 S * 2/2018 Schlup, Jr. D12/222
- D810,148 S * 2/2018 Loew D15/28
- D817,527 S * 5/2018 Dickman D26/35
- D820,767 S * 6/2018 Fogg D12/222

* cited by examiner

Primary Examiner — Katrina A Betton
(74) *Attorney, Agent, or Firm* — Harness, Dickey & Pierce, P.L.C.

(57) **CLAIM**

The ornamental design for a truck bed styling assembly, as shown and described.

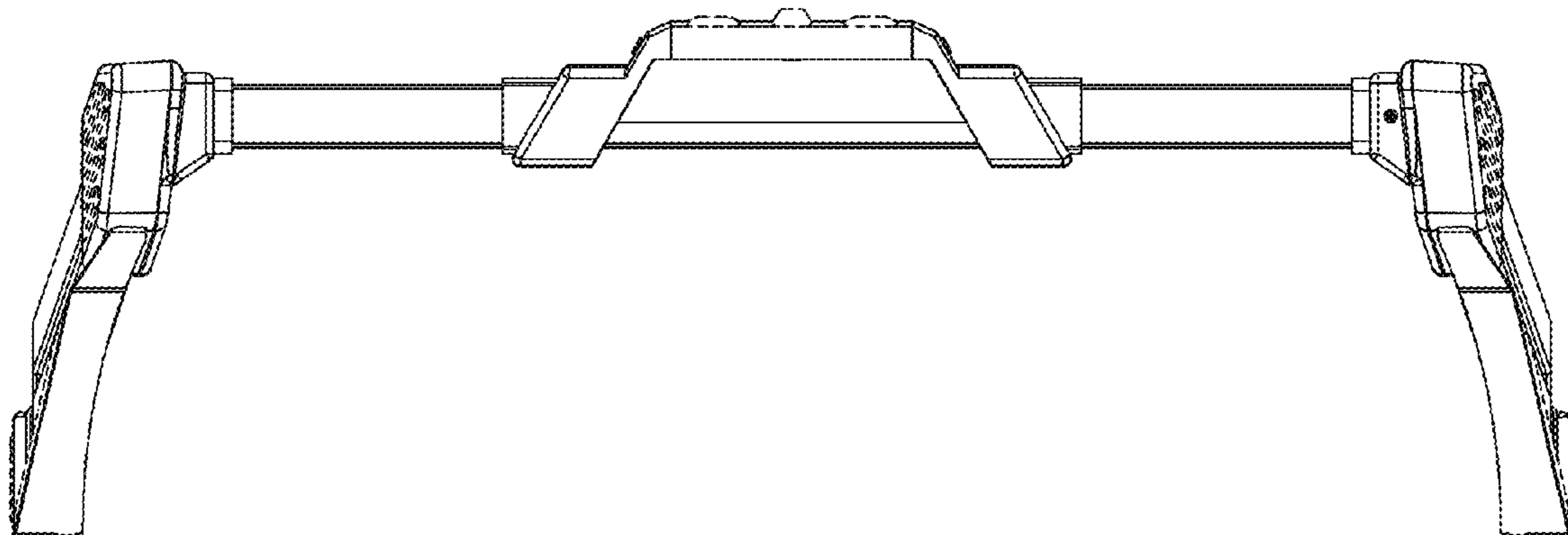
DESCRIPTION

FIG. 1 is a perspective view of the truck bed styling assembly design;
FIG. 2 is a left side elevation view thereof;
FIG. 3 is a rear elevation view thereof;
FIG. 4 is a right side elevation view thereof;
FIG. 5 is a front elevation view thereof;
FIG. 6 is a top plan view thereof; and,
FIG. 7 is a bottom plan view thereof.

The design consists of visual features shown in solid lines in the drawings. For example, the features shown in broken lines form no part of the claimed design.

1 Claim, 6 Drawing Sheets

- (56) **References Cited**
U.S. PATENT DOCUMENTS
D758,281 S * 6/2016 Galloway D12/222
D761,713 S * 7/2016 Hensley D12/222
D766,157 S * 9/2016 Reynolds D12/222
D781,207 S * 3/2017 Johnson D12/222
D783,502 S * 4/2017 Hensley D12/222



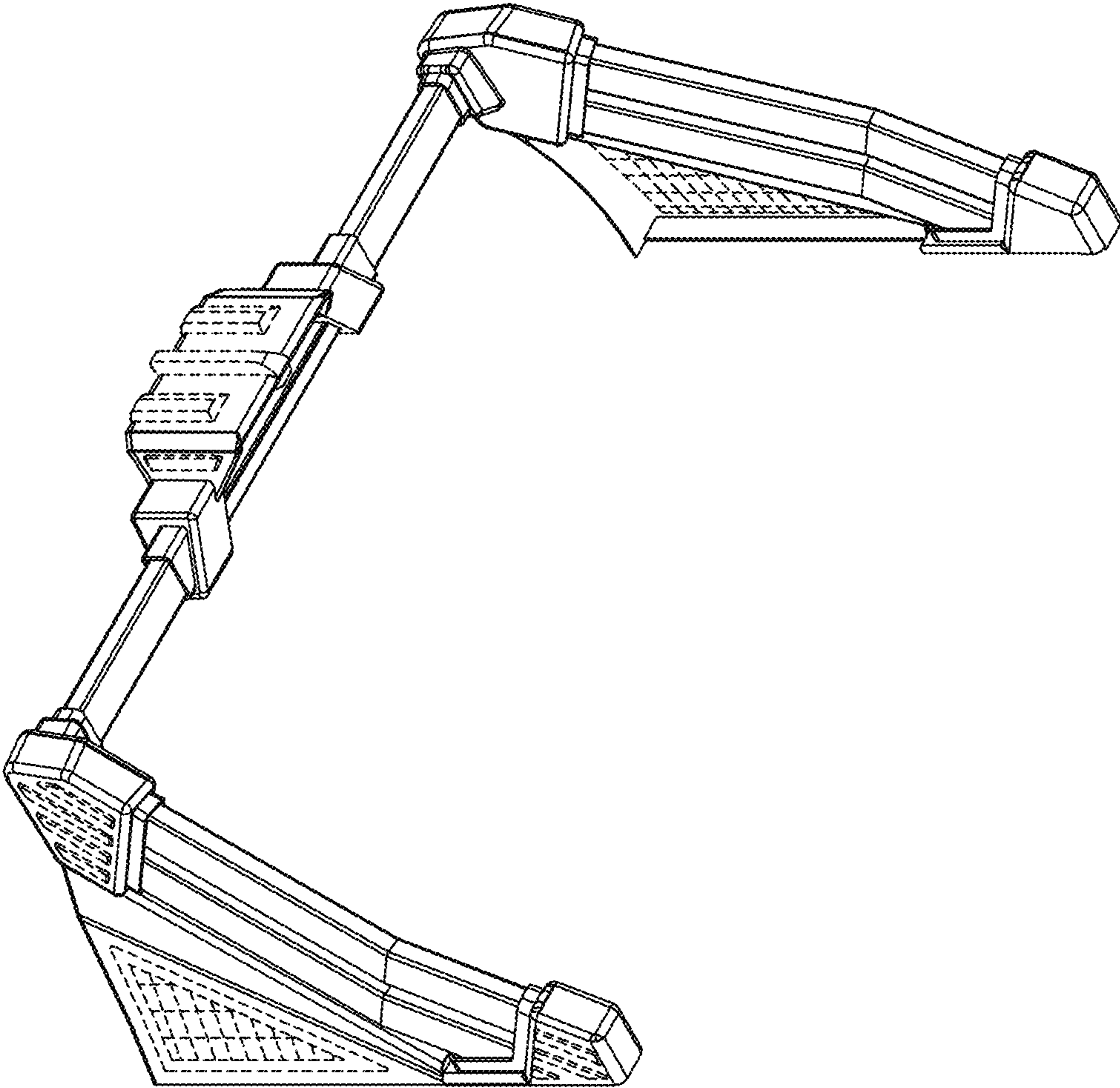


FIG 1

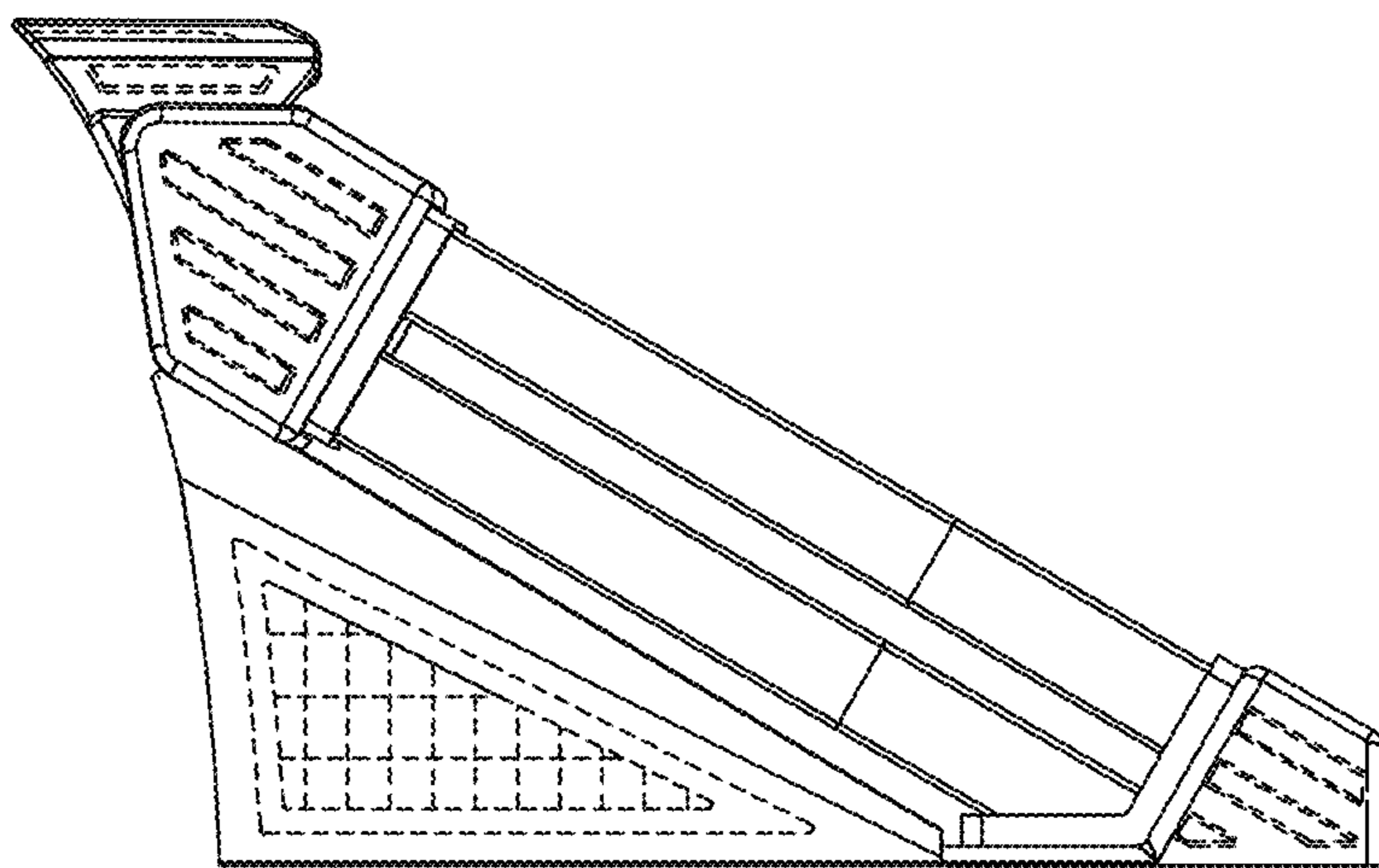


FIG 2

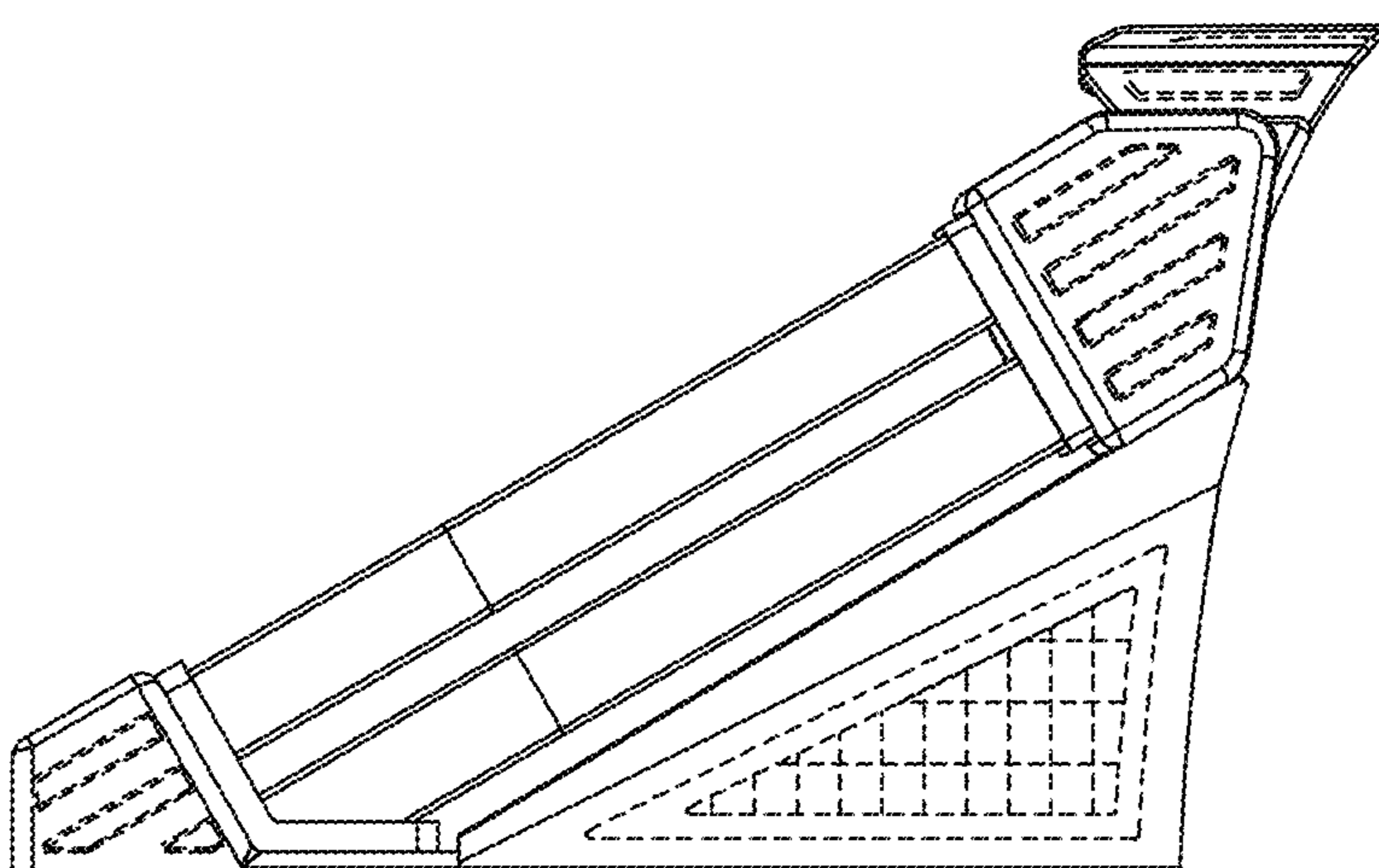


FIG 4

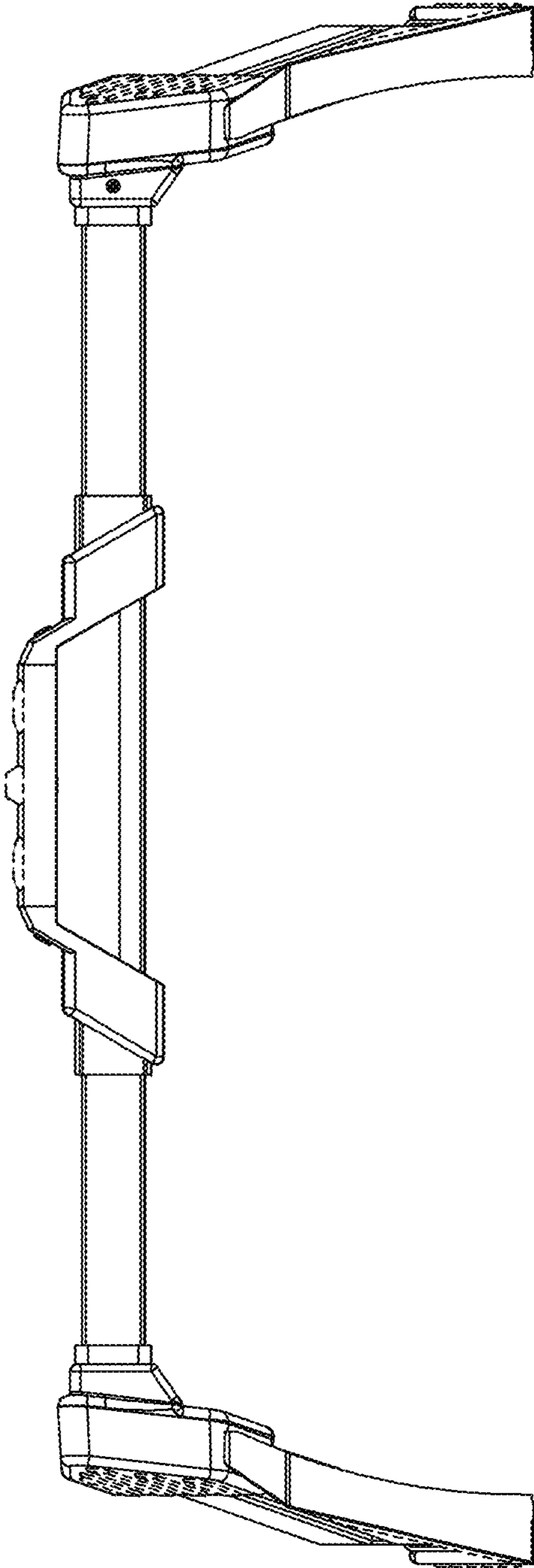


FIG 3

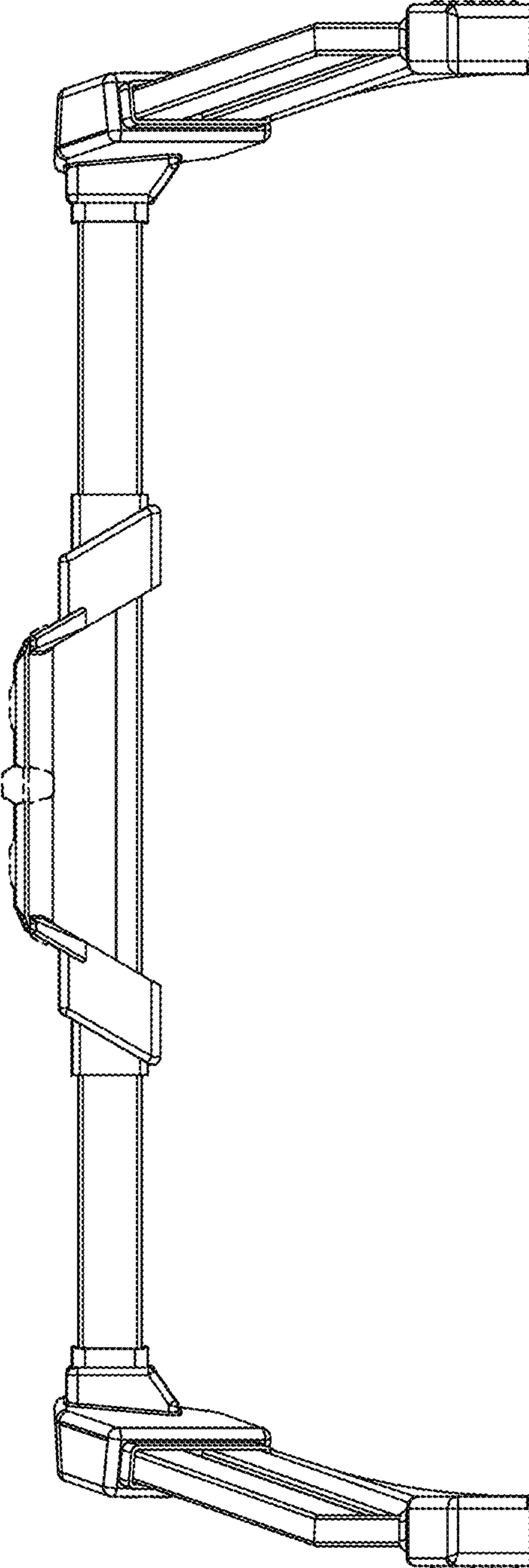


FIG 5

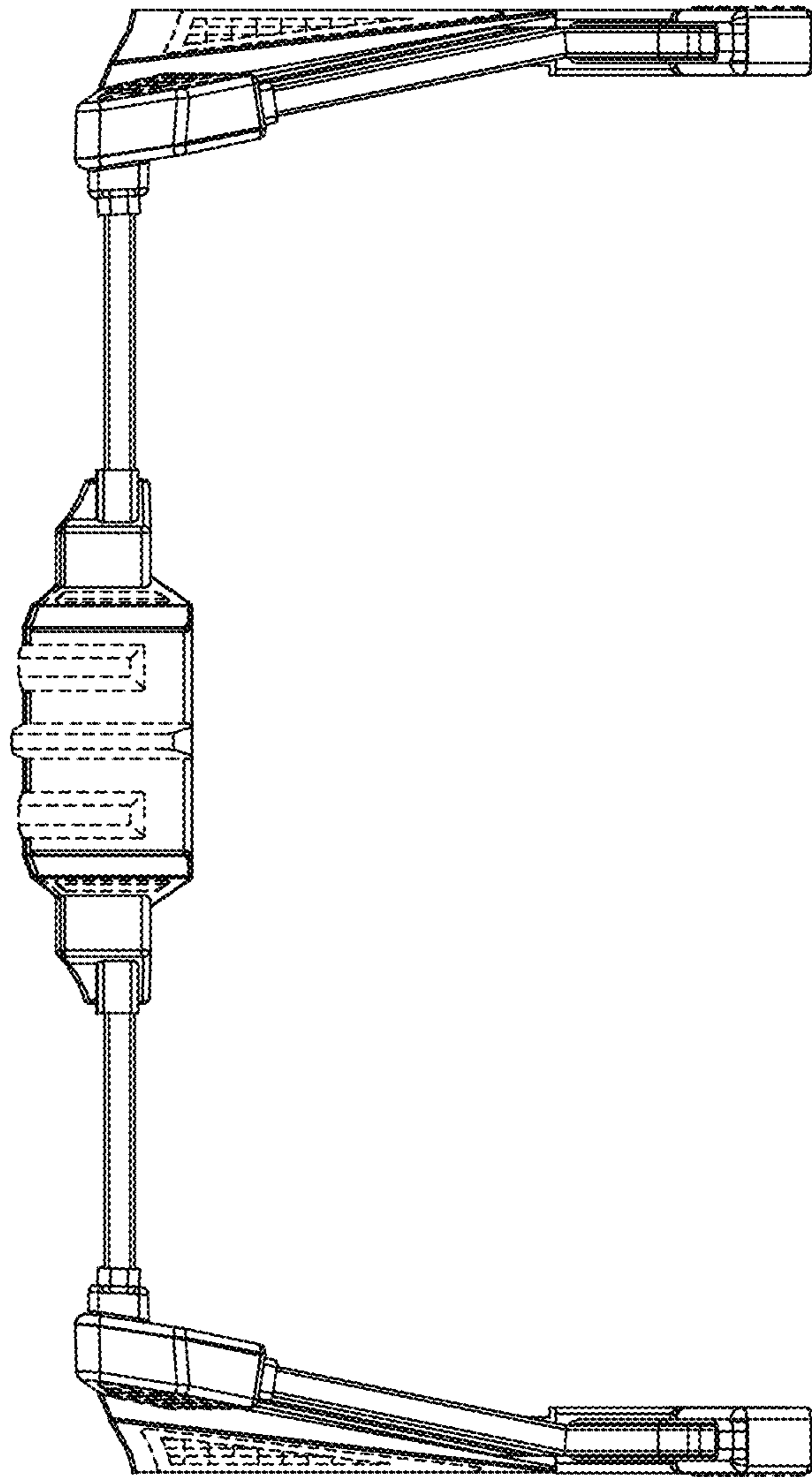


FIG 6

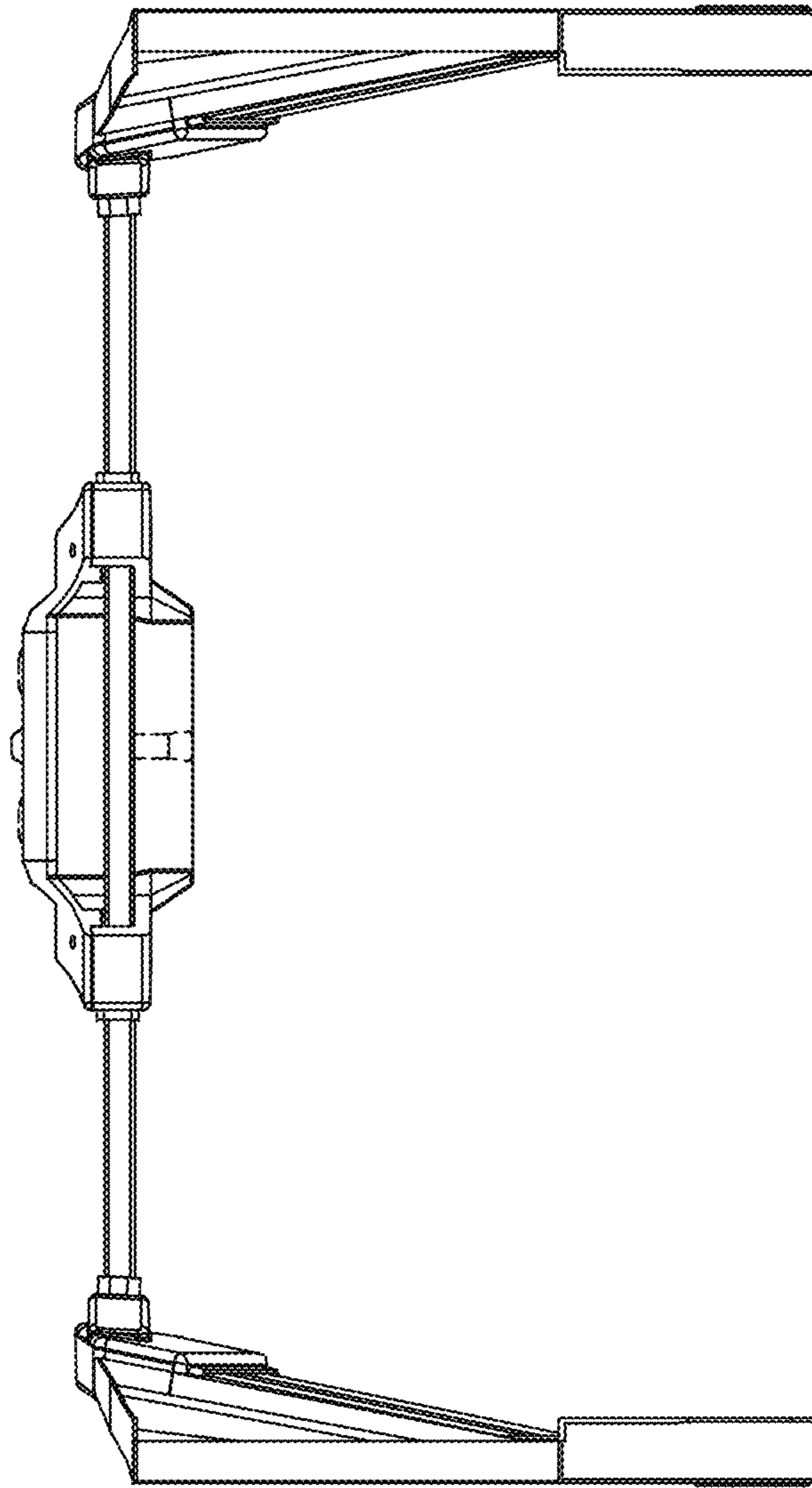


FIG 7