



US00D841557S

(12) **United States Design Patent** (10) **Patent No.:** **US D841,557 S**  
**Richter** (45) **Date of Patent:** **\*\* Feb. 26, 2019**

(54) **WIPER BLADE CUTTER**

(71) Applicant: **Harald Richter**, Engelsbrand (DE)

(72) Inventor: **Harald Richter**, Engelsbrand (DE)

(\*\*) Term: **15 Years**

(21) Appl. No.: **29/631,171**

(22) Filed: **Dec. 28, 2017**

(30) **Foreign Application Priority Data**

Jul. 19, 2017 (EM) ..... 004110849

(51) **LOC (11) Cl.** ..... **12-16**

(52) **U.S. Cl.**  
USPC ..... **D12/219**

(58) **Field of Classification Search**  
USPC ..... D12/219-220  
CPC ..... B60S 2001/3815; B60S 1/4003; B60S  
1/3801

See application file for complete search history.

(56) **References Cited**

**U.S. PATENT DOCUMENTS**

D713,319 S \* 9/2014 An ..... D12/219  
D716,714 S \* 11/2014 Kim ..... D12/219  
D740,737 S \* 10/2015 Hyun ..... D12/219  
D784,241 S \* 4/2017 Park ..... D12/219  
D787,417 S \* 5/2017 Lee ..... D12/219  
D789,271 S \* 6/2017 Hyun ..... D12/219  
D793,943 S \* 8/2017 Kim ..... D12/219  
D799,401 S \* 10/2017 Lee ..... D12/219

D821,954 S \* 7/2018 Hyun ..... D12/219

\* cited by examiner

*Primary Examiner* — Katrina A Betton

(74) *Attorney, Agent, or Firm* — John H. Thomas, P.C.

(57) **CLAIM**

The ornamental design for a wiper blade cutter, as shown and described.

**DESCRIPTION**

The patent or application file contains at least one drawing executed in color. Copies of this patent or patent application publication with color drawing(s) will be provided by the Office upon request and payment of the necessary fee.

FIG. 1 is a left, front perspective view of a the wiper blade cutter according to the design;

FIG. 2 is a right, front perspective view of the wiper blade cutter of FIG. 1;

FIG. 3 is a left, front bottom perspective view of the wiper blade cutter of FIG. 1;

FIG. 4 is a right, front bottom perspective view of the wiper blade cutter of FIG. 1;

FIG. 5 is a right side view of the wiper blade cutter of FIG. 1;

FIG. 6 is a left side view of the wiper blade cutter of FIG. 1;

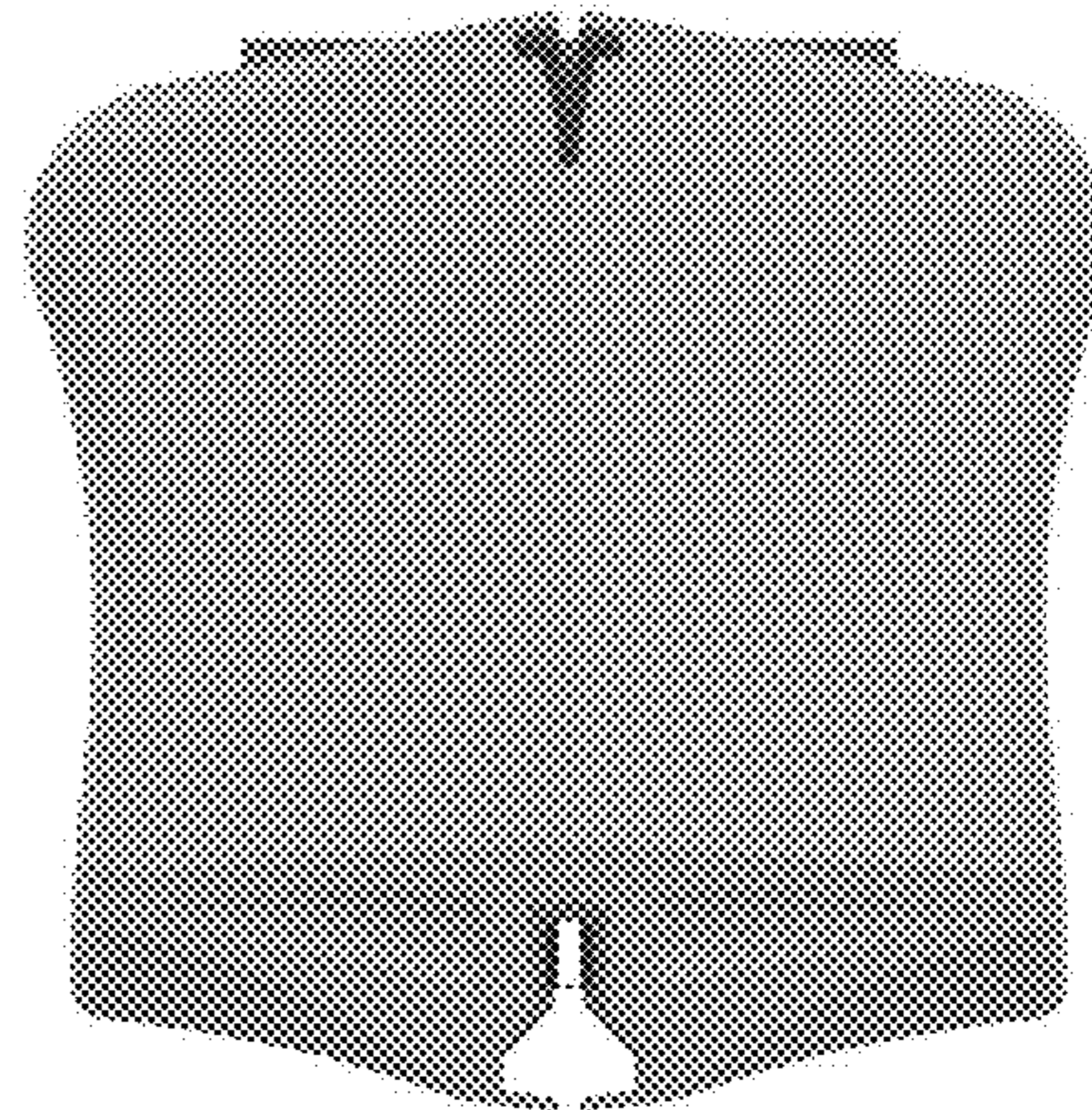
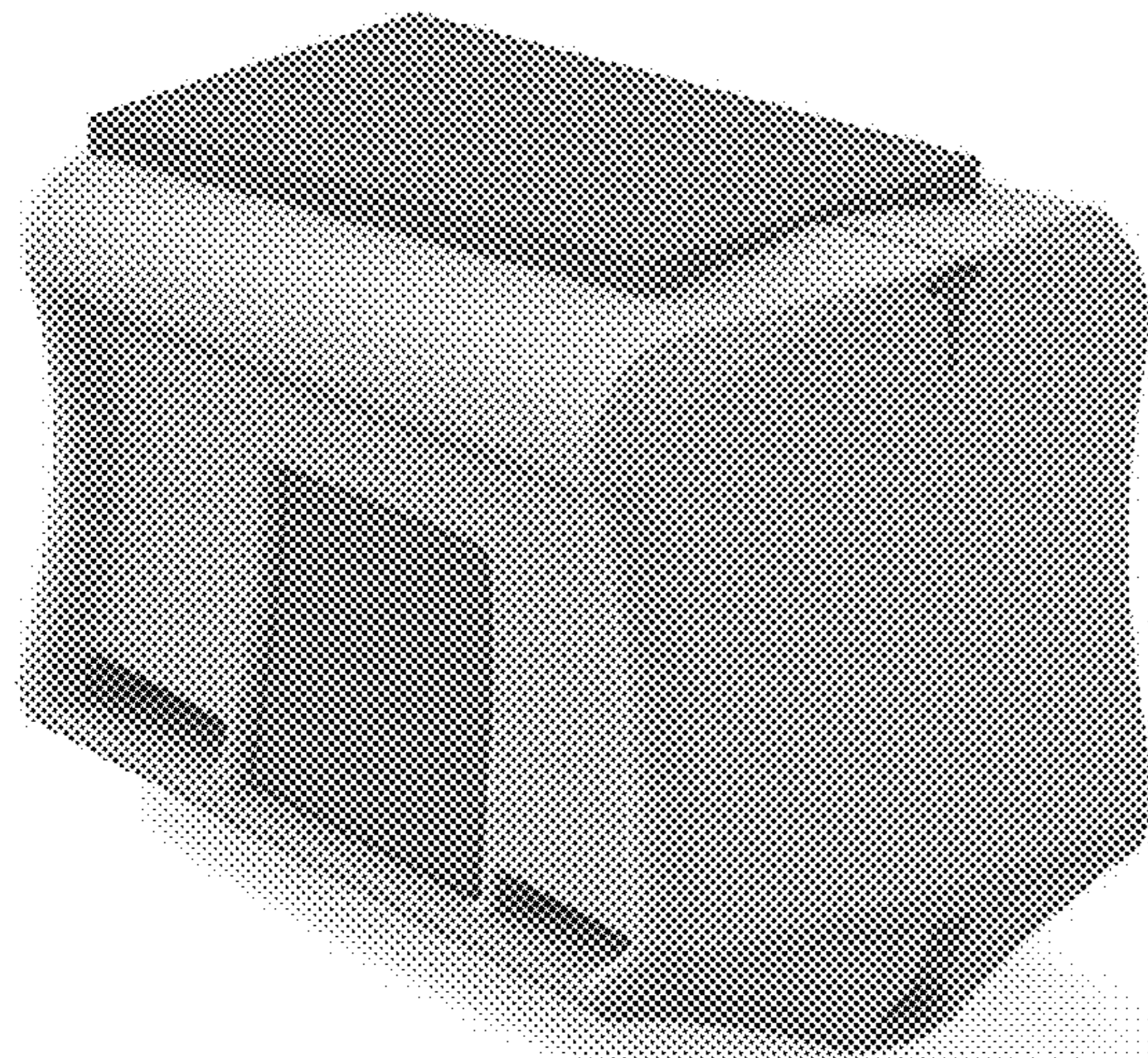
FIG. 7 is a top view of the wiper blade cutter of FIG. 1;

FIG. 8 is a bottom view of the wiper blade cutter of FIG. 1;

FIG. 9 is a front view of the wiper blade cutter of FIG. 1; and,

FIG. 10 is a rear view of the wiper blade cutter of FIG. 1.

**1 Claim, 10 Drawing Sheets**  
**(10 of 10 Drawing Sheet(s) Filed in Color)**



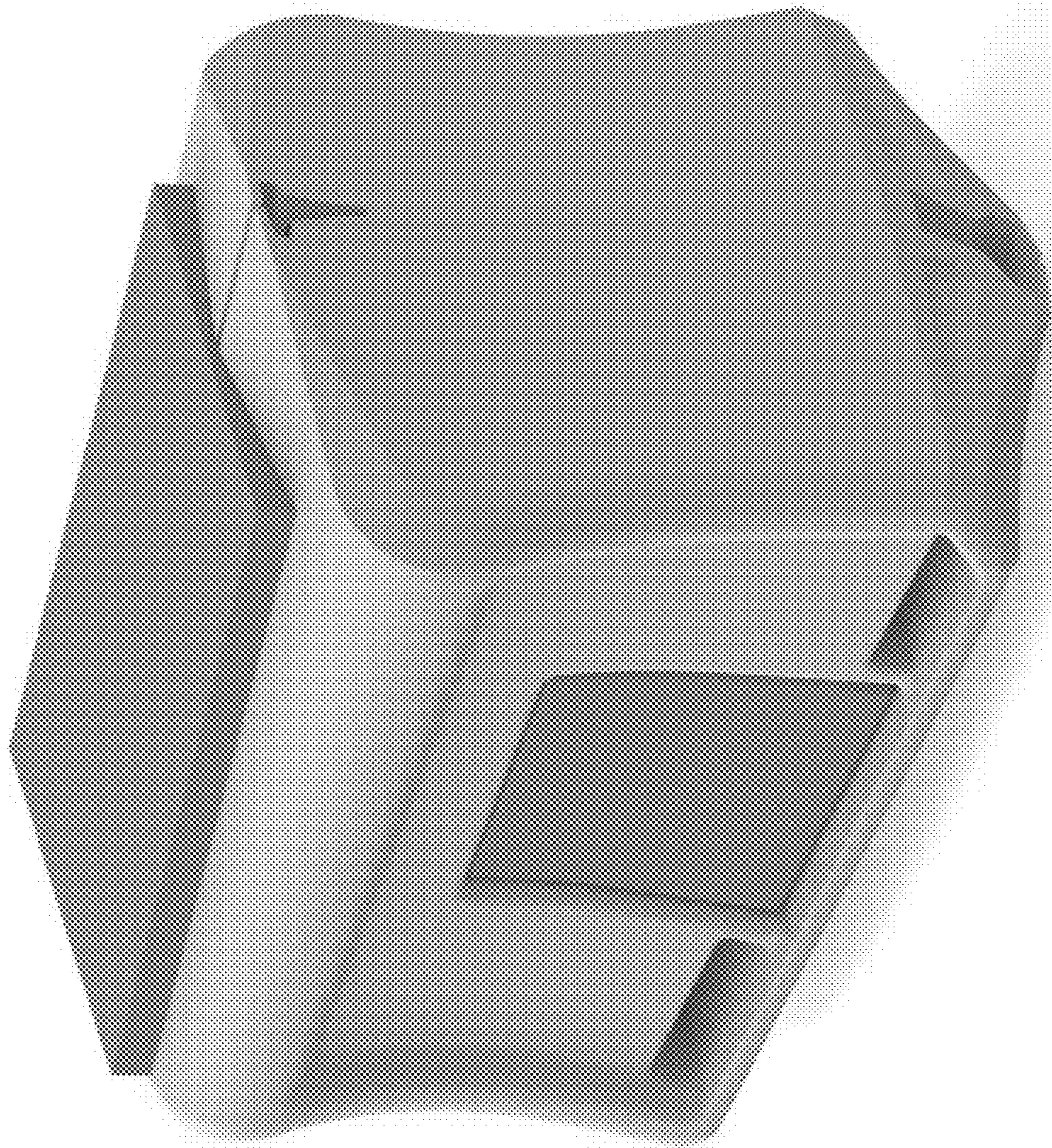


FIG. 1

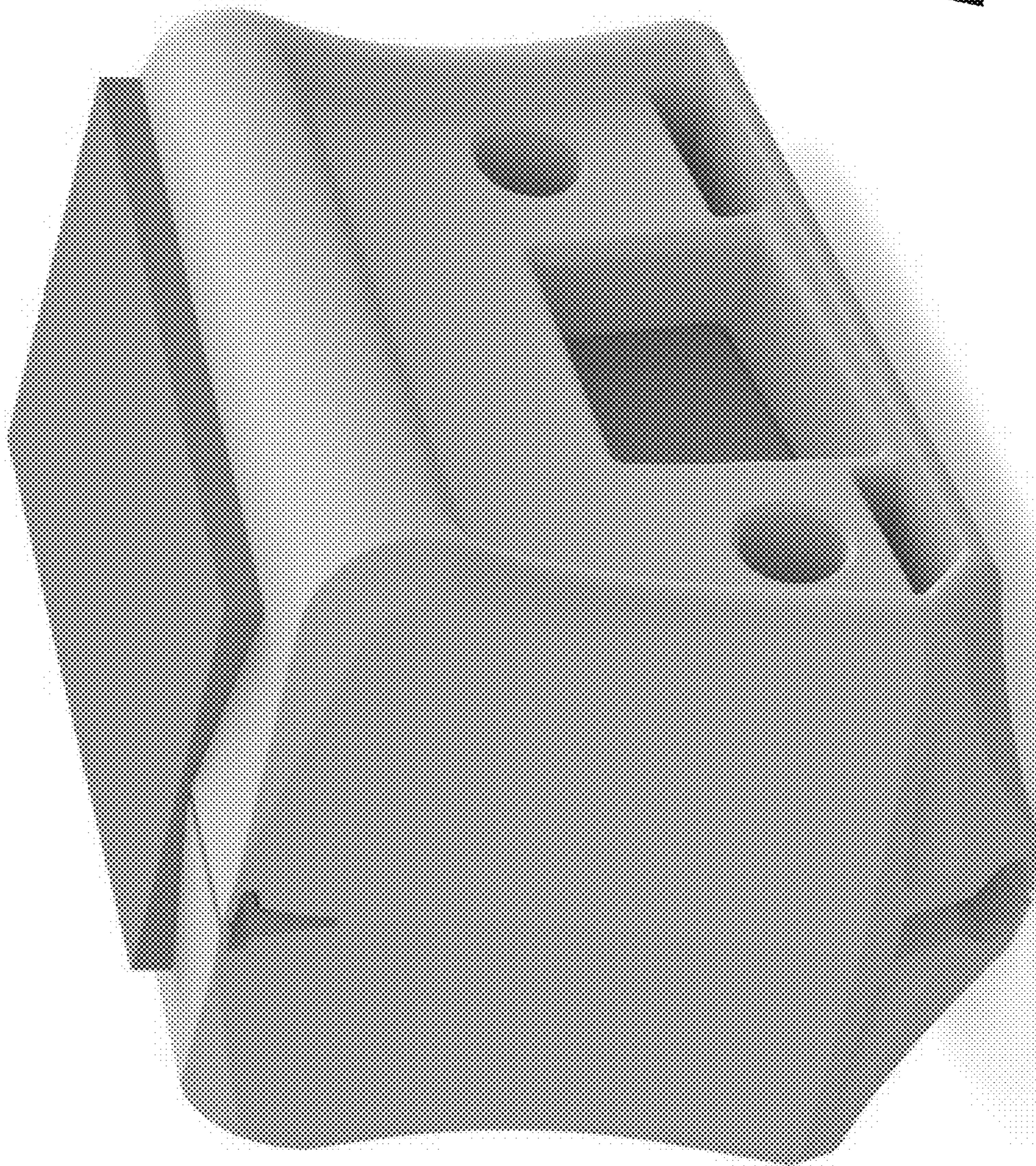


FIG. 2

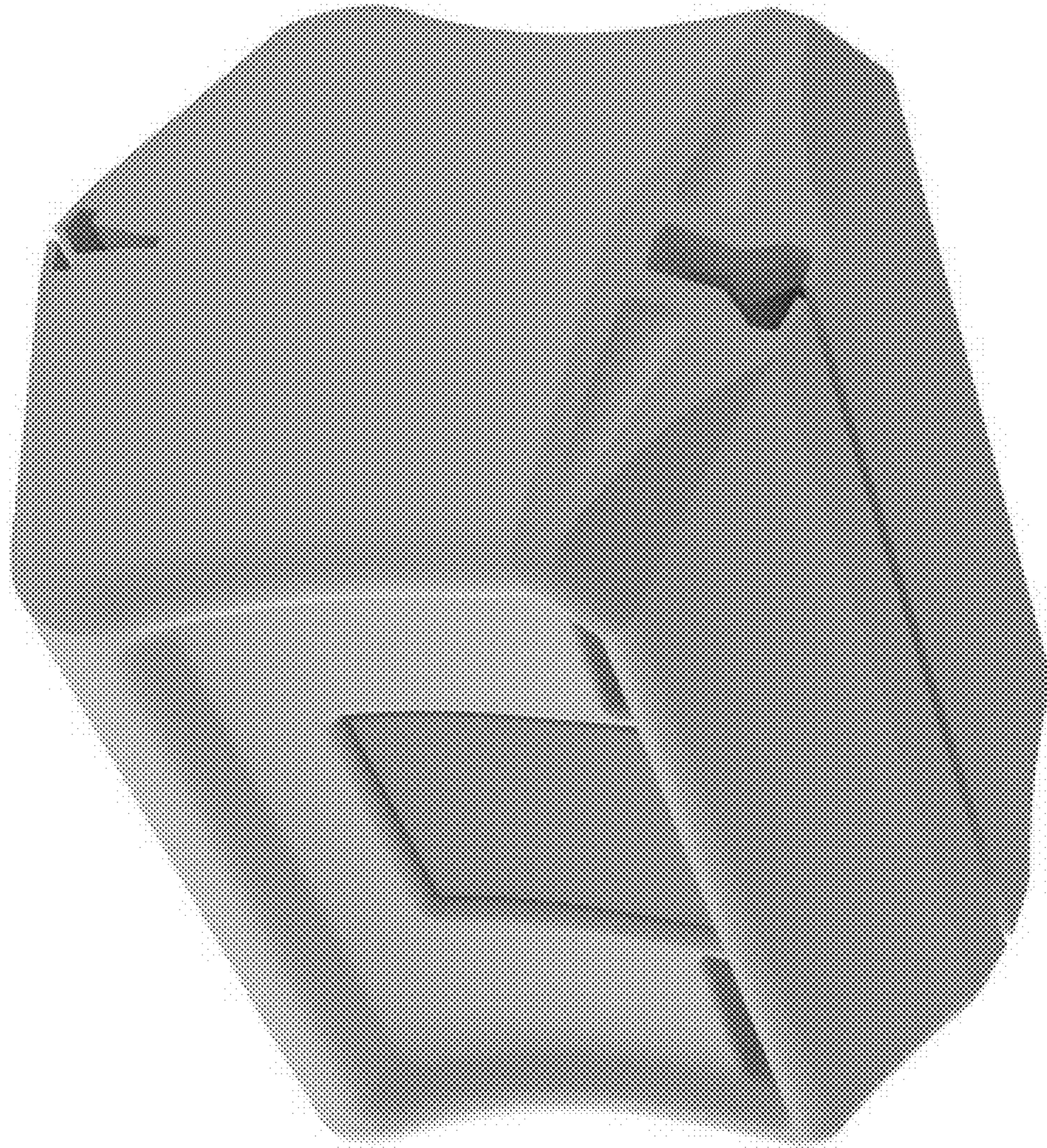


FIG. 3

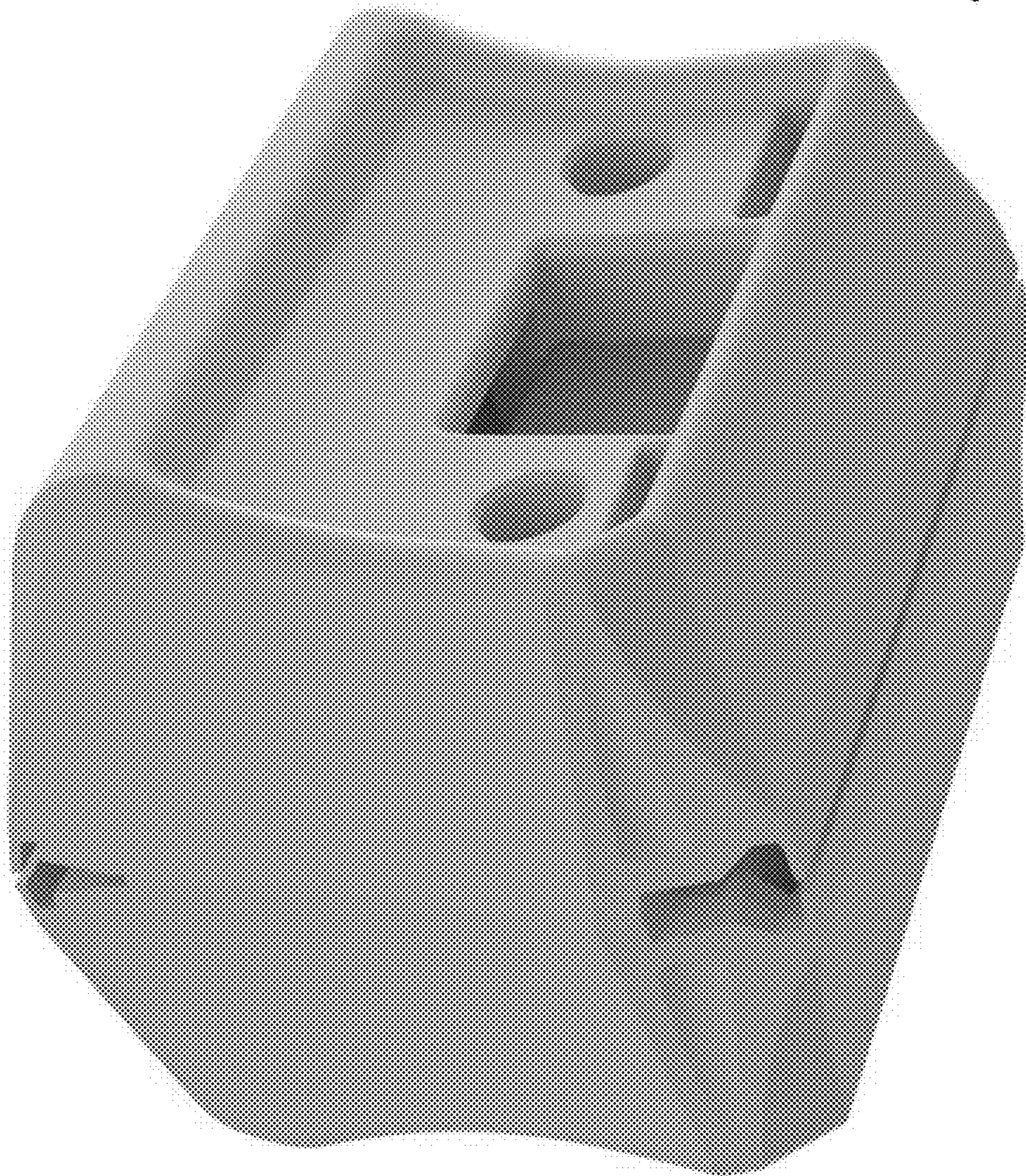


FIG. 4

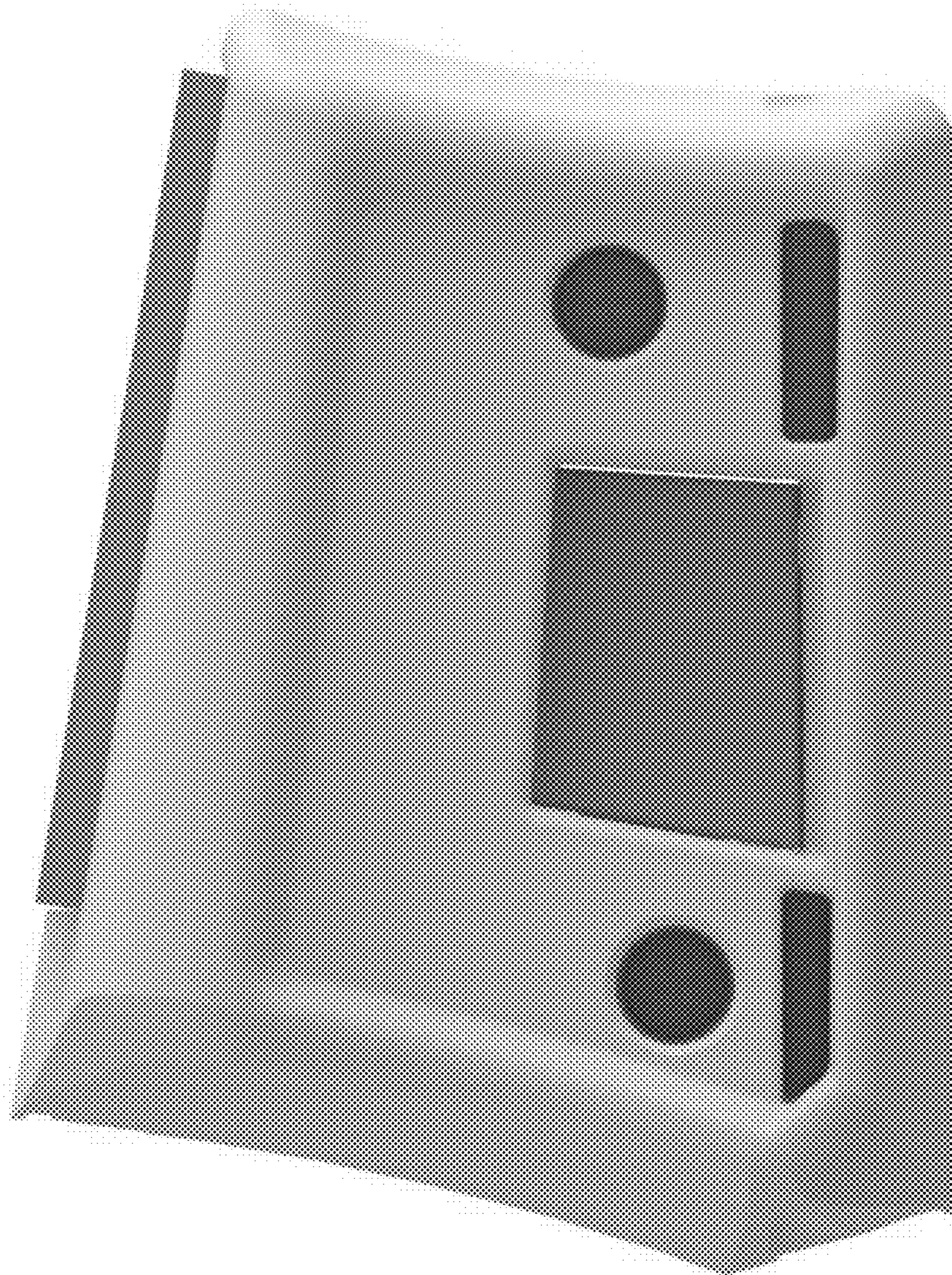


FIG. 5

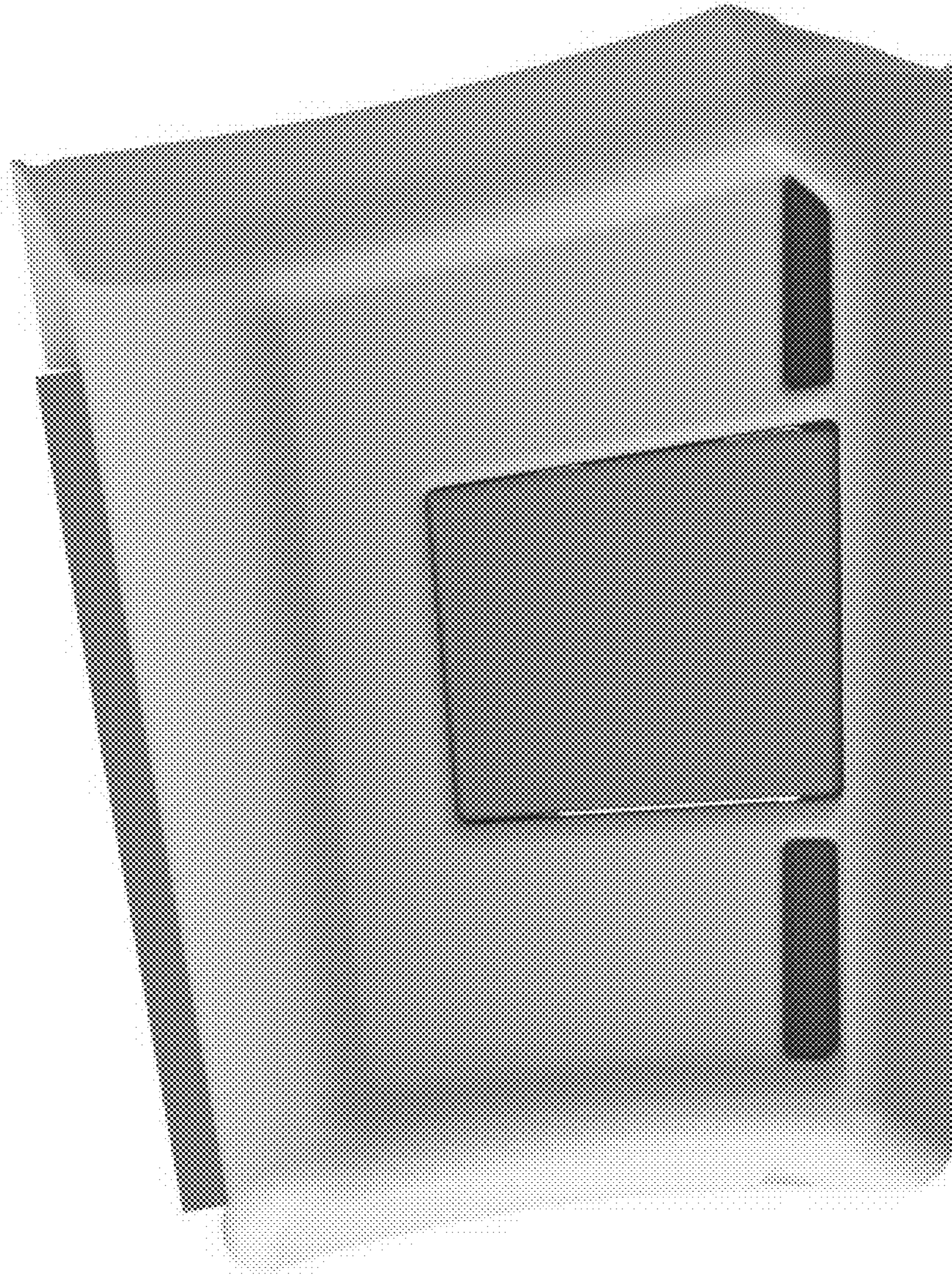


FIG. 6



**FIG. 7**





**FIG. 8**

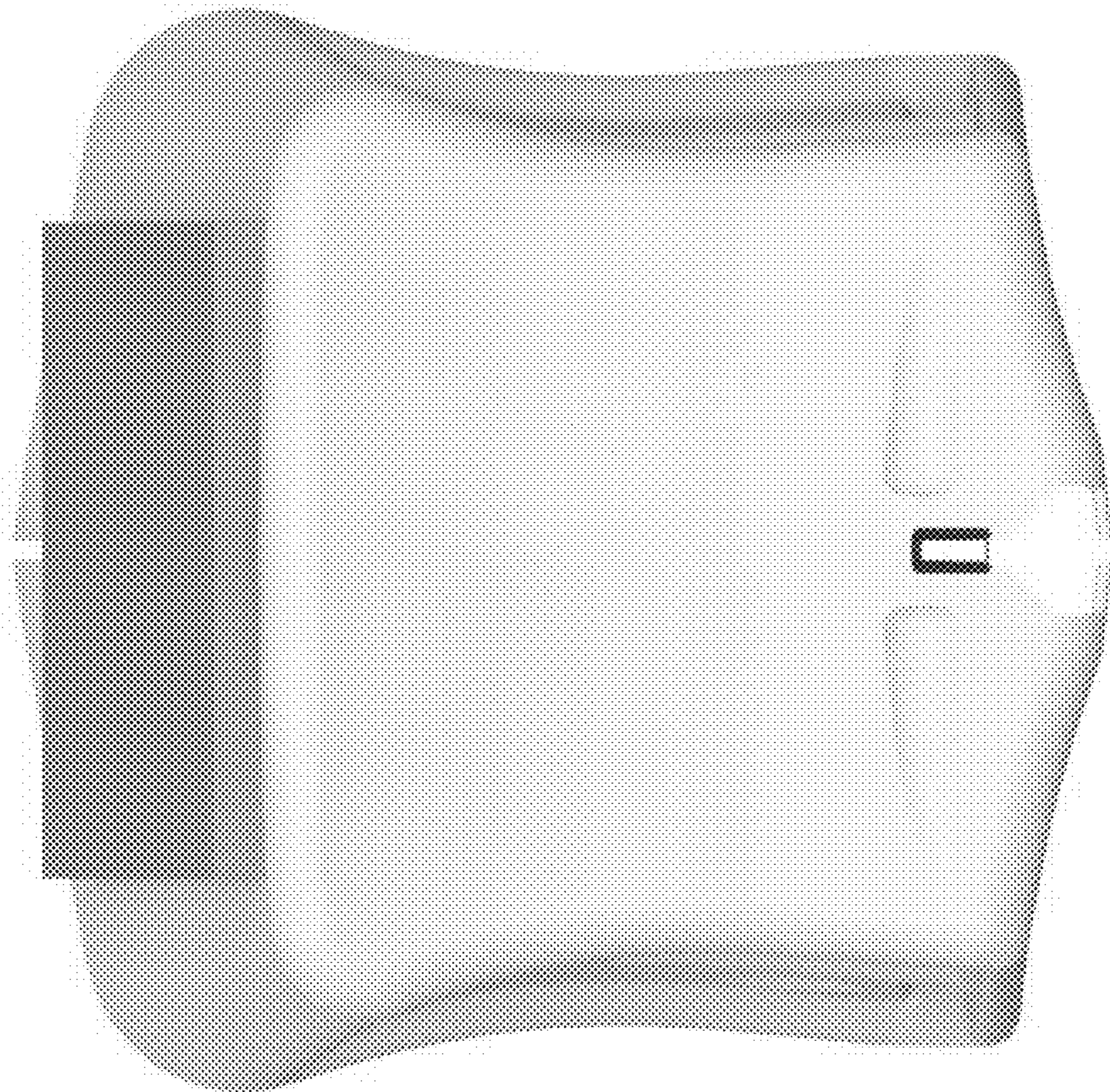


FIG. 9

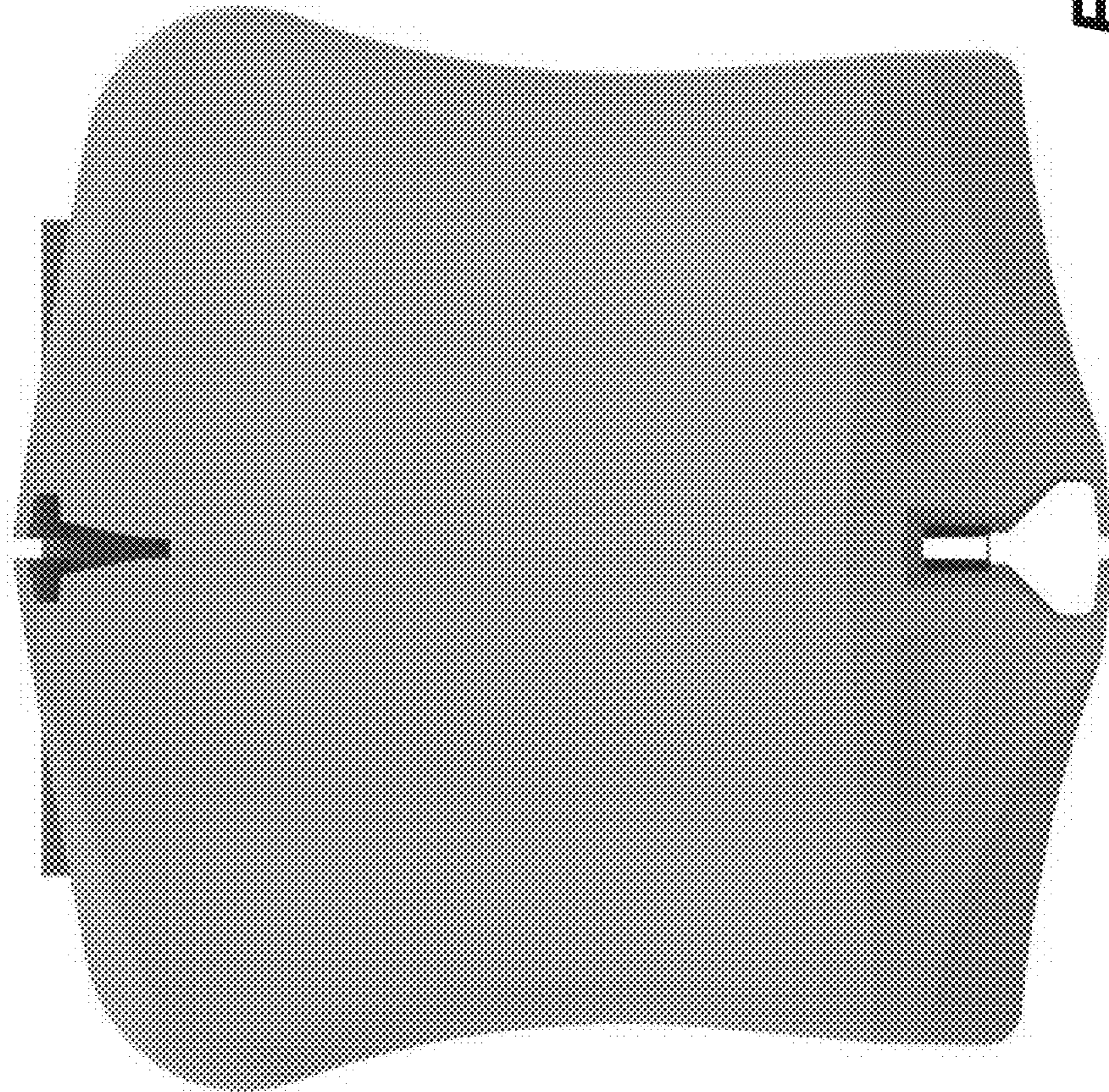


FIG. 10