



US00D841553S

(12) **United States Design Patent**
Chung

(10) **Patent No.:** **US D841,553 S**

(45) **Date of Patent:** **** Feb. 26, 2019**

(54) **WHEEL**

(71) Applicant: **Wheel Pros, LLC**, Greenwood Village,
CO (US)

(72) Inventor: **Suny Chung**, Anaheim, CA (US)

(**) Term: **15 Years**

(21) Appl. No.: **29/608,188**

(22) Filed: **Jun. 20, 2017**

(51) **LOC (11) Cl.** **12-16**

(52) **U.S. Cl.**

USPC **D12/209**

(58) **Field of Classification Search**

USPC D12/204–213

CPC B60B 7/00; B60B 7/02; B60B 7/04; B60B

7/01; B60B 7/06; B60B 3/02; B60B 3/04;

B60B 3/06; B60B 3/10; B60B 1/00;

B60B 1/08; B60B 1/10; B60B 1/12

See application file for complete search history.

(56) **References Cited**

U.S. PATENT DOCUMENTS

D584,674 S * 1/2009 Chung D12/211

D706,198 S * 6/2014 Chung D12/211

D706,199 S * 6/2014 Chung D12/211

D714,706 S * 10/2014 Chung D12/211

D738,279 S * 9/2015 Dionisopoulos D12/209

D781,198 S * 3/2017 Owens D12/209

D811,981 S * 3/2018 Chung D12/211

D812,541 S * 3/2018 Chung D12/211

D824,317 S * 7/2018 Harriton D12/211

D830,266 S * 10/2018 Lickliter D12/209

* cited by examiner

Primary Examiner — Stacia A Cadmus

(74) *Attorney, Agent, or Firm* — Eric Hanscom

(57) **CLAIM**

The ornamental design for a wheel, as shown and described.

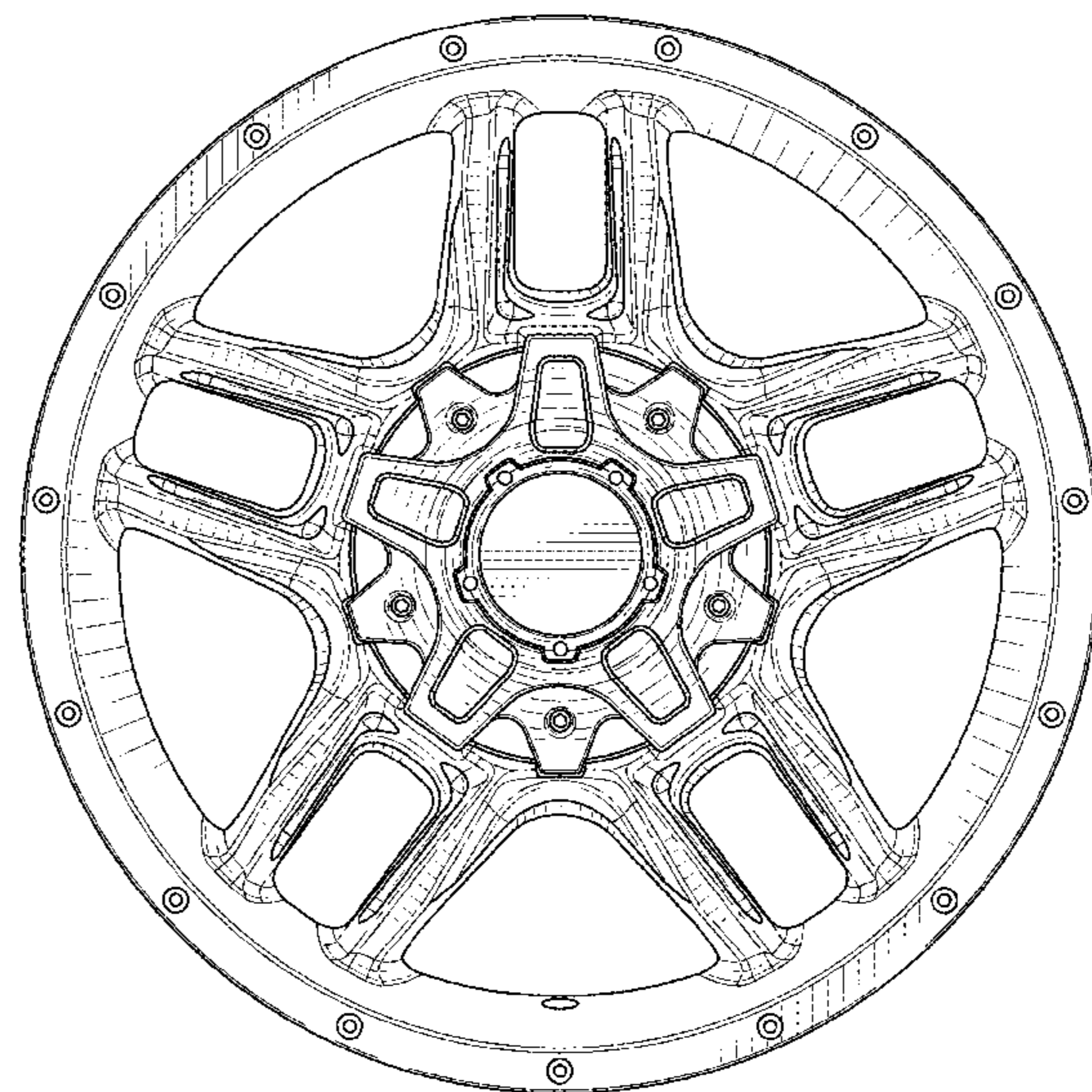
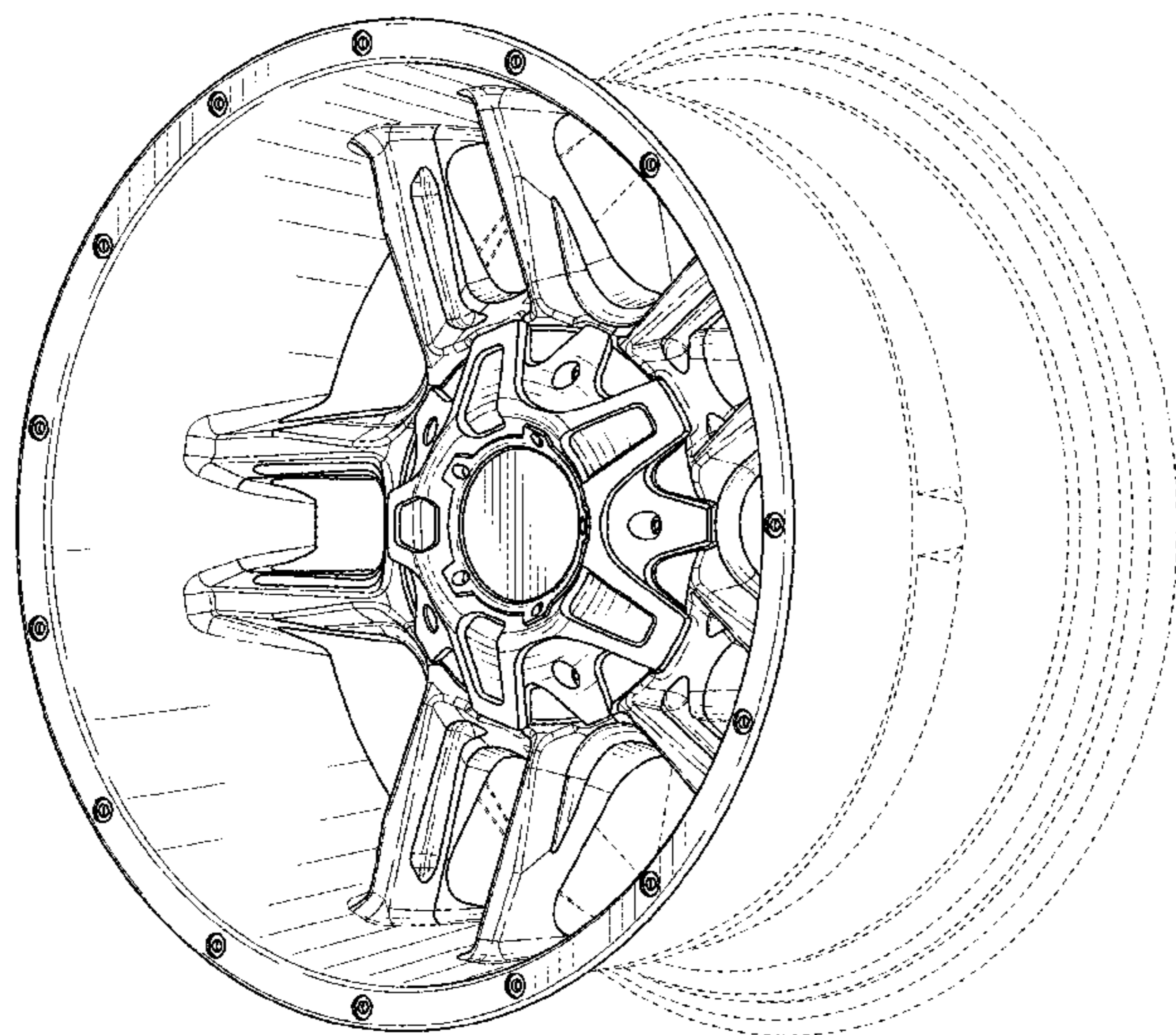
DESCRIPTION

FIG. 1 is a perspective view of a wheel showing my new design; and,

FIG. 2 is a front view thereof.

Dashed lines represent material that is not claimed by this patent, and are for purposes of illustration only. Applicant is claiming the front portion of the wheel only and makes no claim to the ornamental design of the sides or back of the wheel.

1 Claim, 2 Drawing Sheets



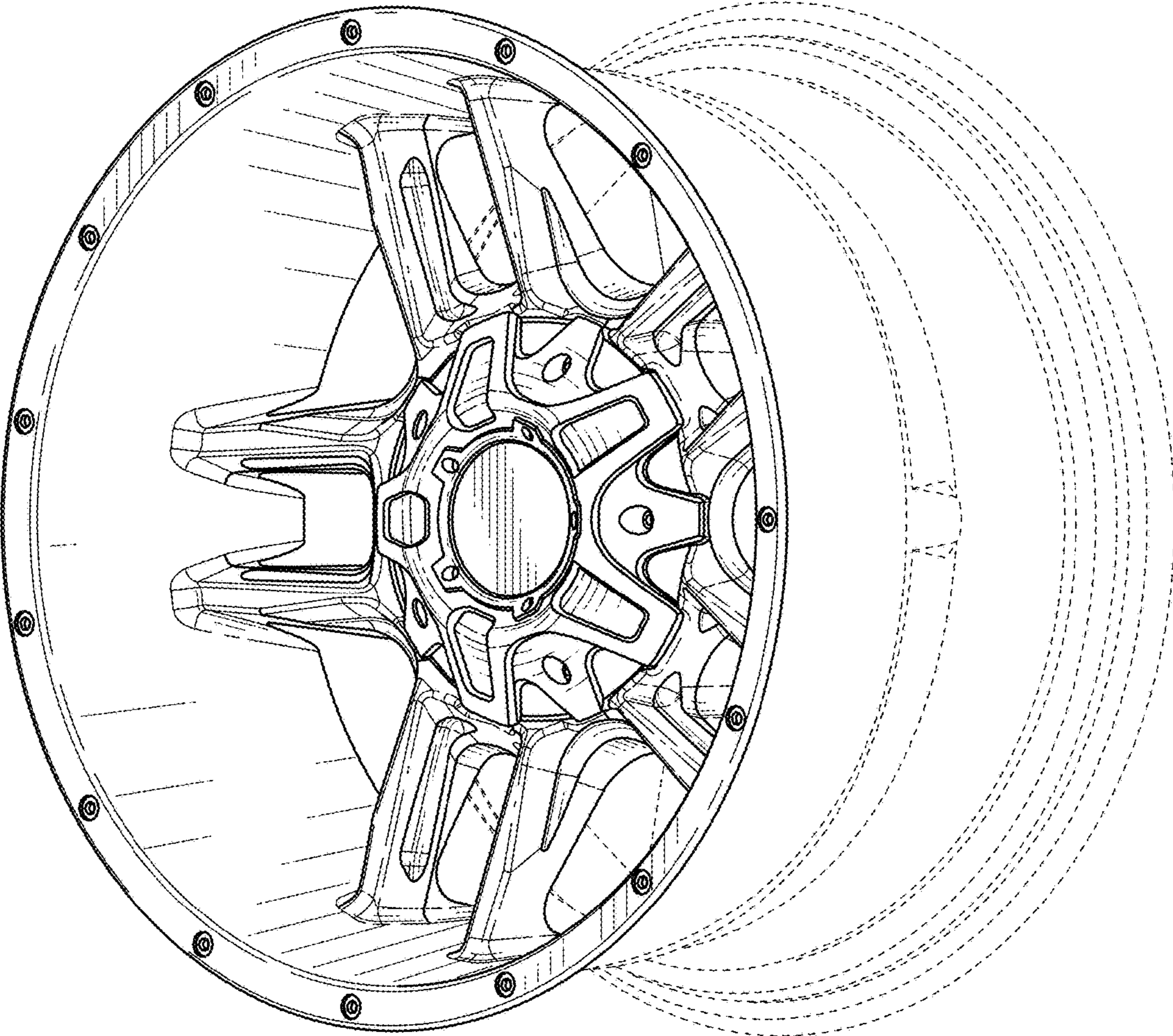


FIG. 1

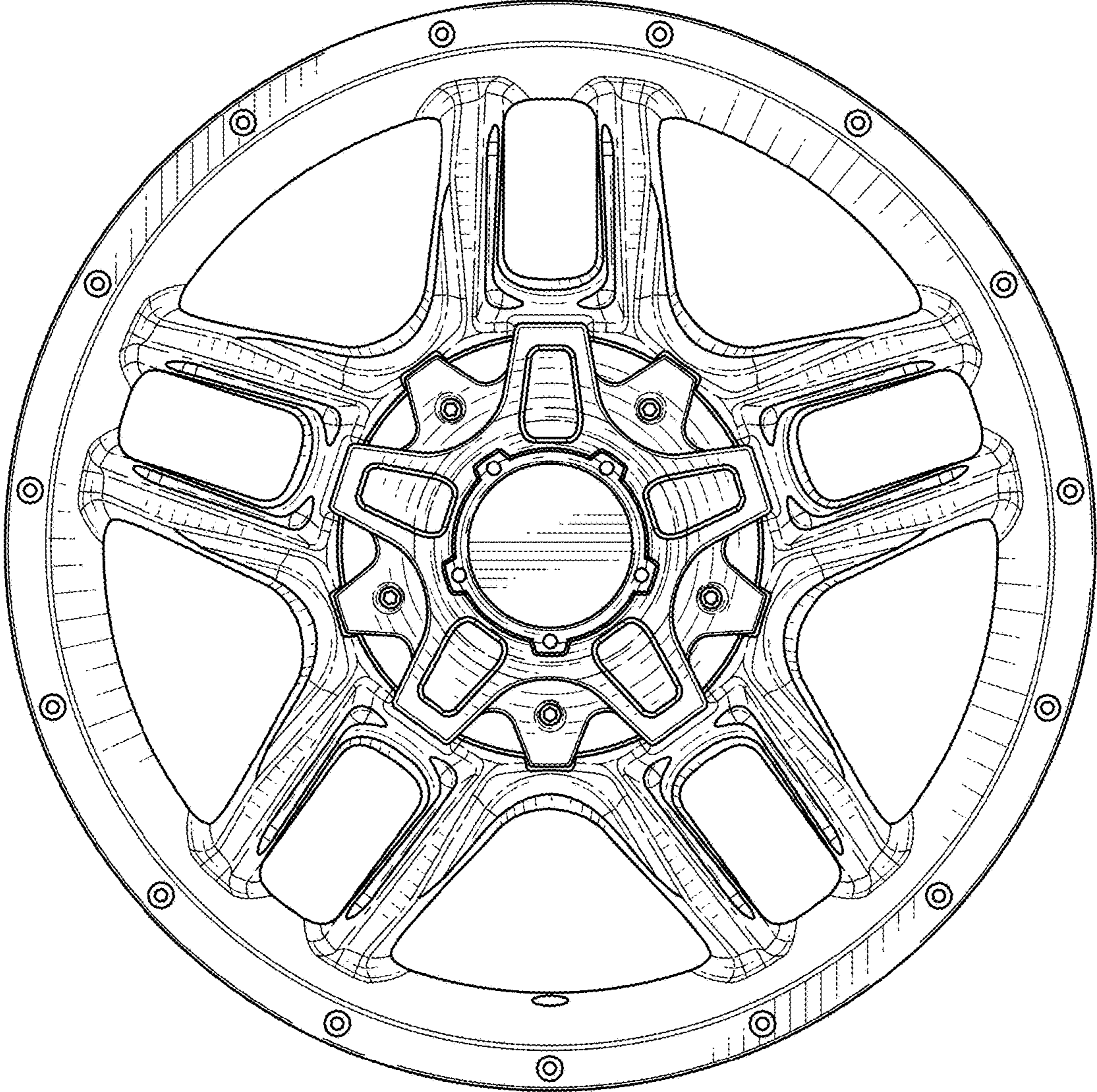


FIG. 2