



US00D841552S

(12) **United States Design Patent**
Simpson

(10) **Patent No.:** **US D841,552 S**

(45) **Date of Patent:** **** Feb. 26, 2019**

- (54) **WHEEL FOR MOTOR VEHICLE**
- (71) Applicant: **Lipham Trading Company, LLC**,
Hendersonville, NC (US)
- (72) Inventor: **David Simpson**, Marietta, GA (US)
- (73) Assignee: **TURN 5, INC.**, Malvern, PA (US)
- (**) Term: **15 Years**
- (21) Appl. No.: **29/606,780**
- (22) Filed: **Jun. 7, 2017**
- (51) **LOC (11) Cl.** **12-16**
- (52) **U.S. Cl.**
USPC **D12/209**
- (58) **Field of Classification Search**
USPC D12/204–213; D21/533, 561, 563
CPC B60B 7/00; B60B 7/02; B60B 7/04; B60B
7/06; B60B 3/02; B60B 3/04; B60B 3/06;
B60B 3/10; B60B 1/00; B60B 1/08;
B60B 1/10; B60B 1/12
See application file for complete search history.

D646,212 S *	10/2011	Ettensberger	D12/211
D673,099 S *	12/2012	Ender	D12/211
D737,190 S *	8/2015	Kern	D12/211
D749,483 S *	2/2016	Hodges	D12/209
D751,483 S *	3/2016	Nicoghosian	D12/209
D767,466 S *	9/2016	Juergens	D12/211

* cited by examiner

Primary Examiner — Sheryl Lane

Assistant Examiner — Calvin E Vansant

(74) *Attorney, Agent, or Firm* — Mannava & Kang, P.C.;
Arash Behravesh

(57) **CLAIM**

What is claimed is the ornamental design of a wheel for a motor vehicle, as shown and described.

DESCRIPTION

FIG. 1 is a perspective view of a wheel for motor vehicle, showing my new design;
FIG. 2 is a top view thereof;
FIG. 3 is a bottom view thereof; and,
FIG. 4 is a side view thereof.

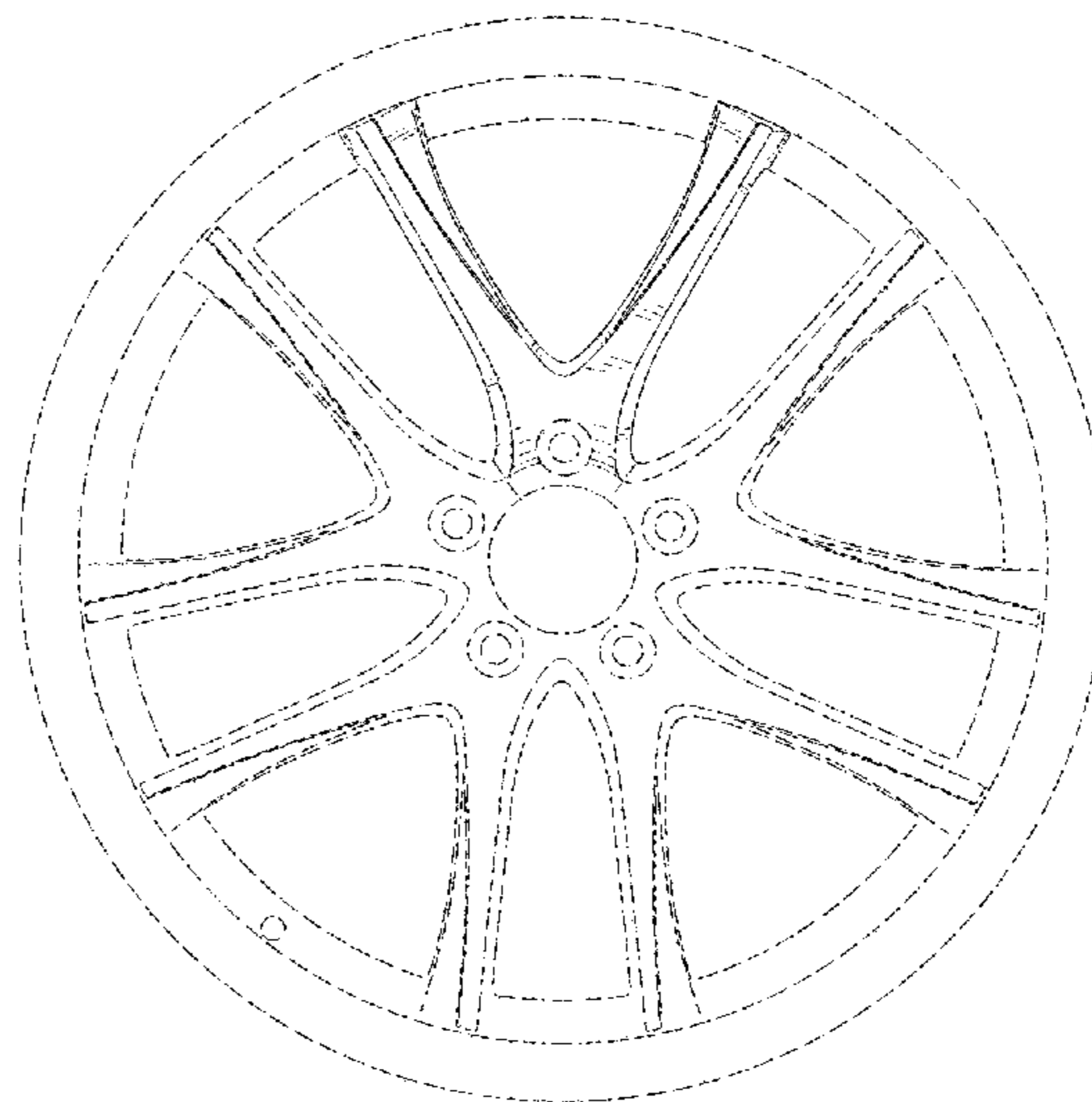
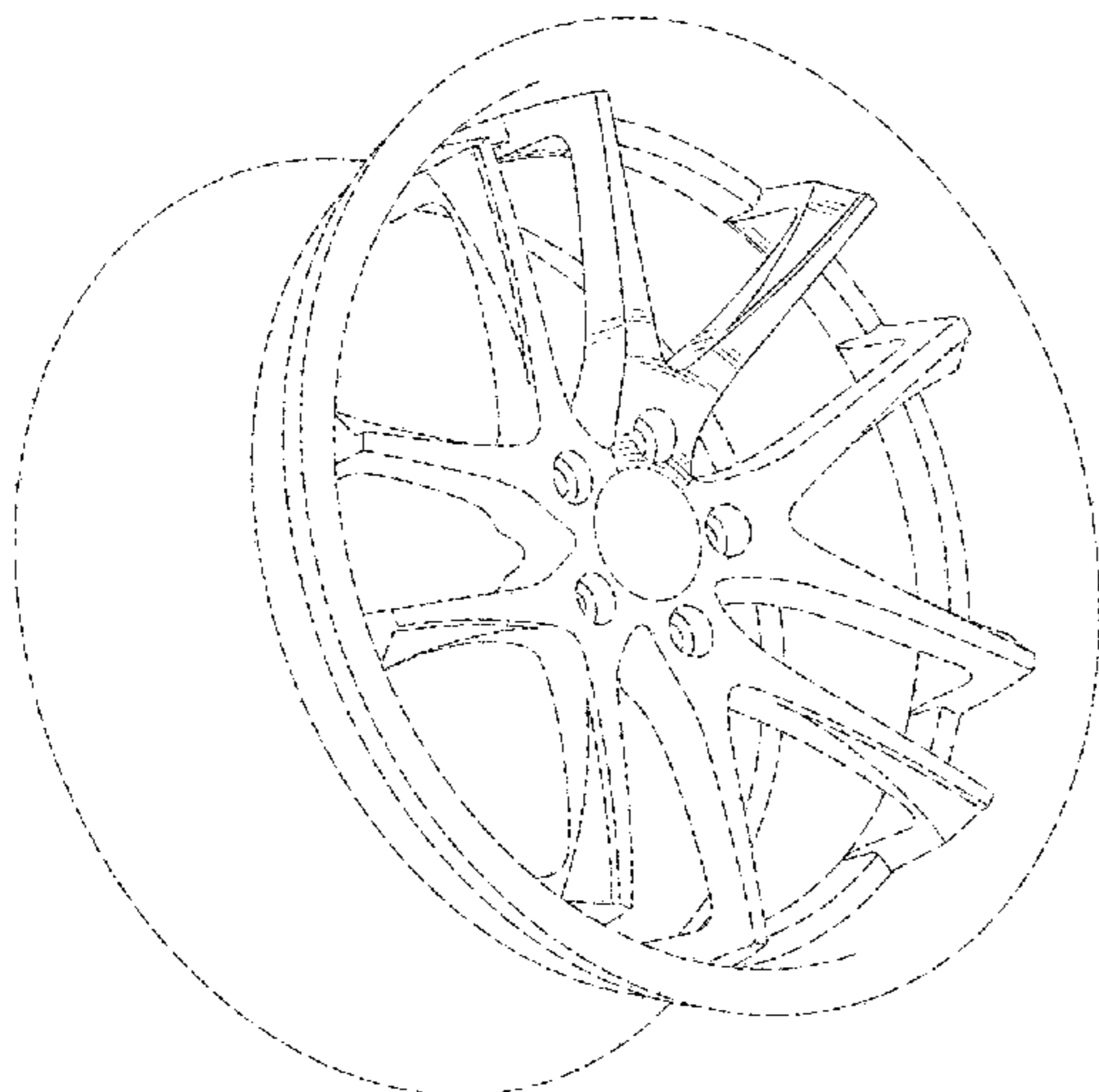
In the drawings, the dashed broken lines depict portions of the wheel for motor vehicle that form no part of the claimed design. The dash-dot broken lines depict the boundary of the claim and form no part of the claimed design.

1 Claim, 4 Drawing Sheets

(56) **References Cited**

U.S. PATENT DOCUMENTS

D432,974 S *	10/2000	Jablonski	D12/211
D478,307 S *	8/2003	Maifrini	D12/211



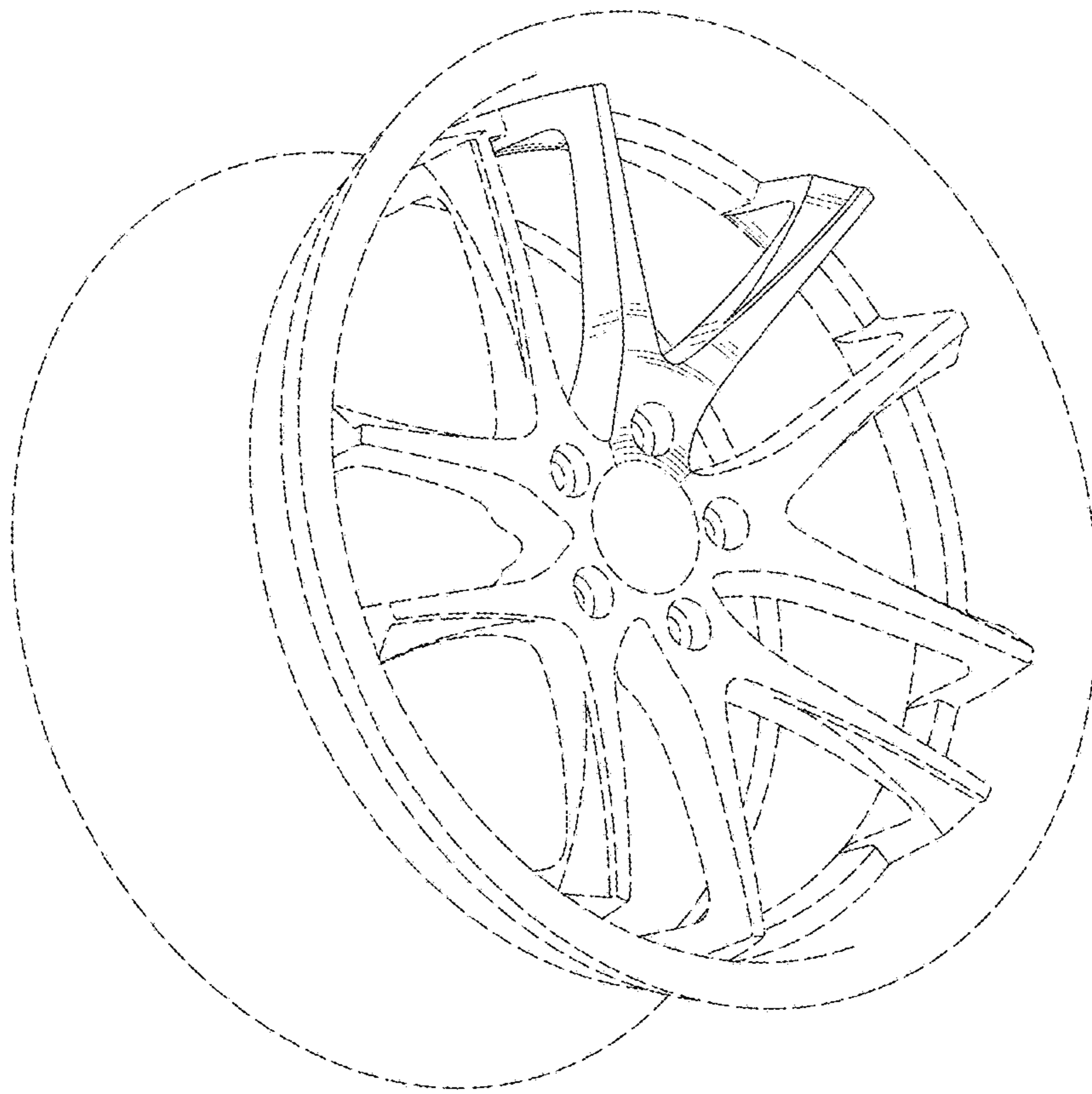


Fig. 1

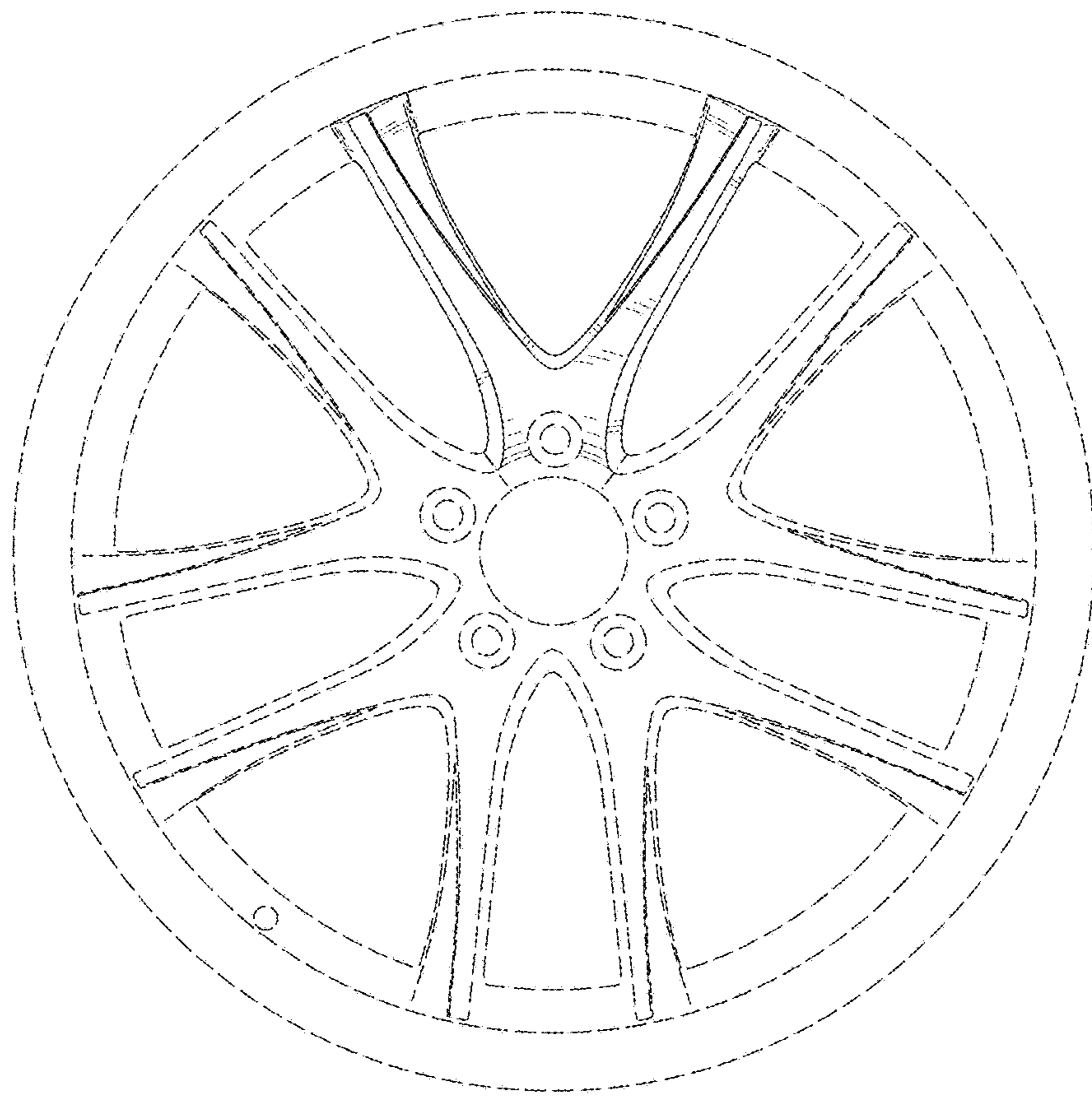


Fig. 2

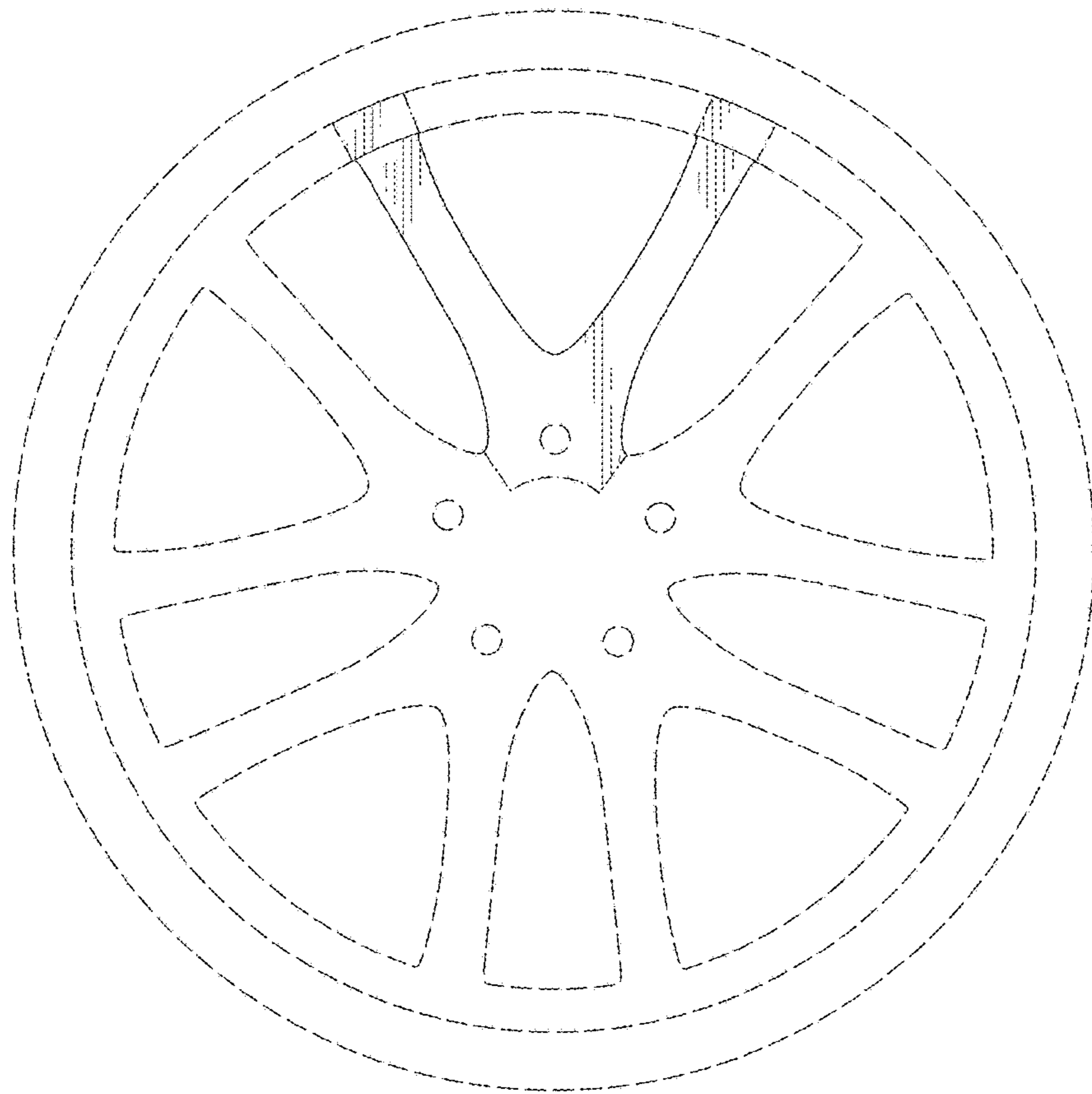


Fig. 3

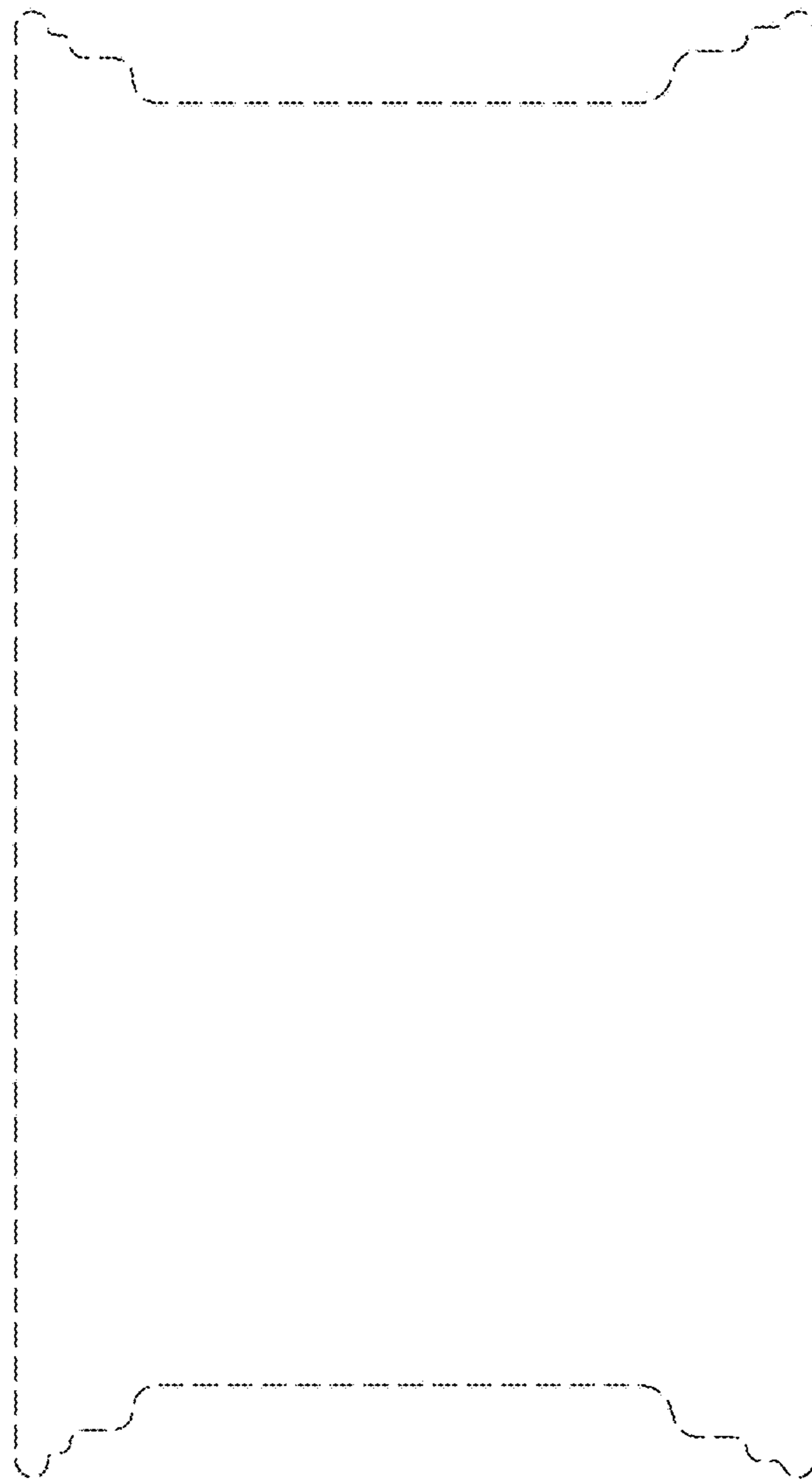


Fig. 4