



US00D841548S

(12) **United States Design Patent**
Dharmawan

(10) **Patent No.:** **US D841,548 S**

(45) **Date of Patent:** **** Feb. 26, 2019**

(54) **RADIATOR EXTENSION**

(71) Applicant: **Turn 5, Inc.**, Malvern, PA (US)

(72) Inventor: **Vincent Dharmawan**, Philadelphia, PA (US)

(73) Assignee: **Turn 5, Inc.**, Paoli, PA (US)

(**) Term: **15 Years**

(21) Appl. No.: **29/613,263**

(22) Filed: **Aug. 9, 2017**

(51) **LOC (11) Cl.** **12-16**

(52) **U.S. Cl.**
USPC **D12/196**

(58) **Field of Classification Search**
USPC D12/86, 163, 169, 173, 193, 196, 203
CPC B60R 13/02; B60R 13/04; B60R 7/04;
B60R 21/16; B62D 35/02; B32B 27/40
See application file for complete search history.

(56) **References Cited**

U.S. PATENT DOCUMENTS

1,485,283	A *	2/1924	Maxwell	B60S 1/62 280/159
3,447,727	A *	6/1969	Lowe	B60R 9/02 224/547
D344,959	S *	3/1994	Patterson	D15/17
D398,895	S *	9/1998	Thomas, Jr.	D12/209
D472,505	S *	4/2003	Hurayt	D12/190
D613,220	S *	4/2010	Ikeda	D12/190
7,690,676	B2 *	4/2010	Jaramillo	B60R 13/025 280/728.2
8,083,285	B2 *	12/2011	Yanagida	B62D 29/048 296/1.08
D666,132	S *	8/2012	Armbruster	D12/196
D669,831	S *	10/2012	Saracoglu	D12/196
D703,595	S *	4/2014	Campbell	D12/181
D748,026	S *	1/2016	Curic	D12/190
D775,018	S *	12/2016	Frykholm	D12/169
D787,398	S *	5/2017	Song	D12/169

D788,852	S *	6/2017	Harrell	D12/400
9,802,554	B1 *	10/2017	Schulze zur Wiesche	B60R 13/04
9,809,177	B1 *	11/2017	Wicks	B60R 13/04
D805,974	S *	12/2017	Buck	D12/181
D807,247	S *	1/2018	Malina	D12/167
D811,287	S *	2/2018	Bucher	D12/169
D812,530	S *	3/2018	Bucher	D12/169
D813,133	S *	3/2018	Henstridge	D12/196
D813,135	S *	3/2018	Baeza	D12/203
D817,242	S *	5/2018	Anderson	D12/196
D817,243	S *	5/2018	Anderson	D12/196

(Continued)

Primary Examiner — Susan Bennett Hattan

Assistant Examiner — Suzanne E Tisdell

(74) *Attorney, Agent, or Firm* — Schott, P.C.

(57) **CLAIM**

The ornamental design for a radiator extension, as shown and described.

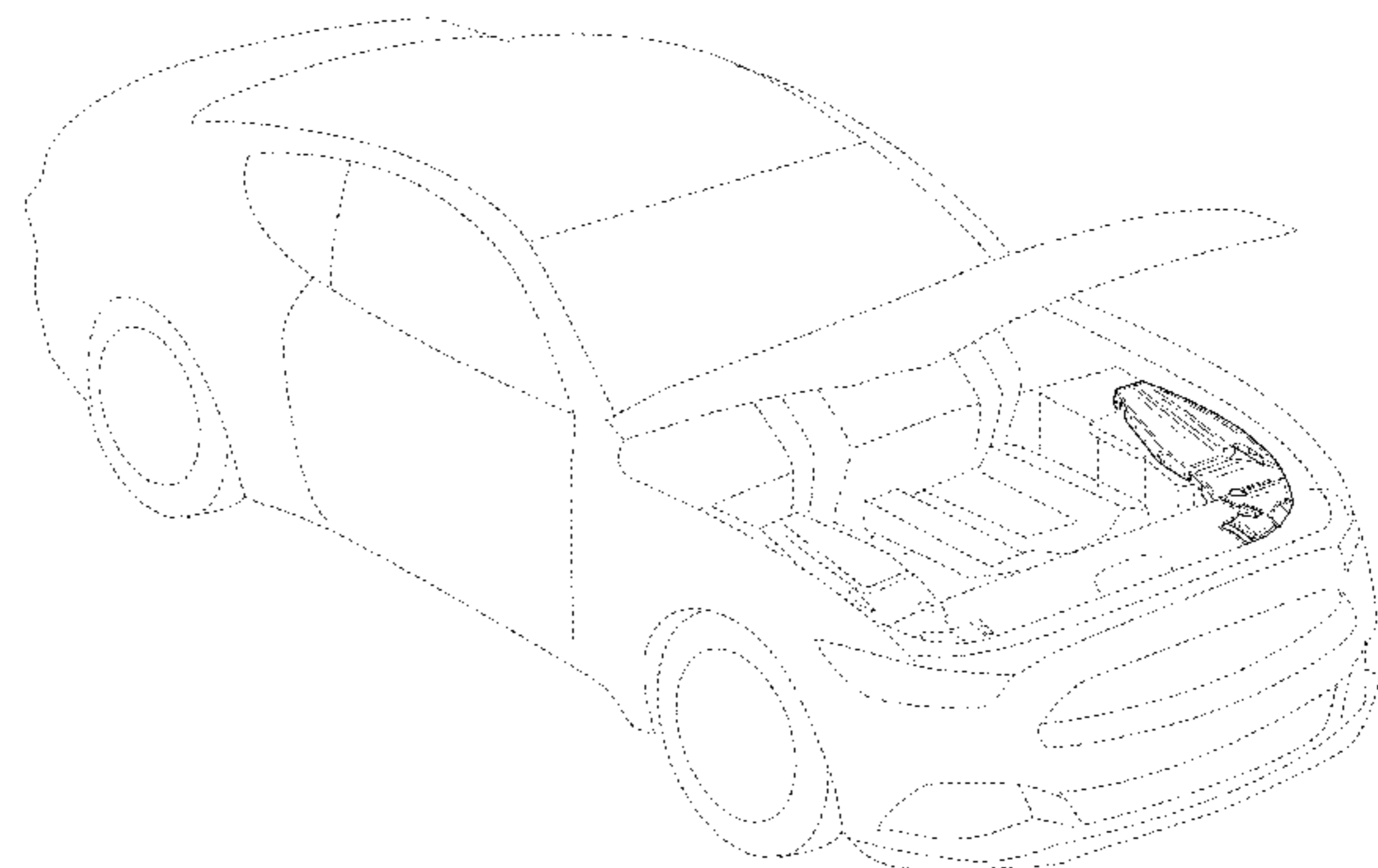
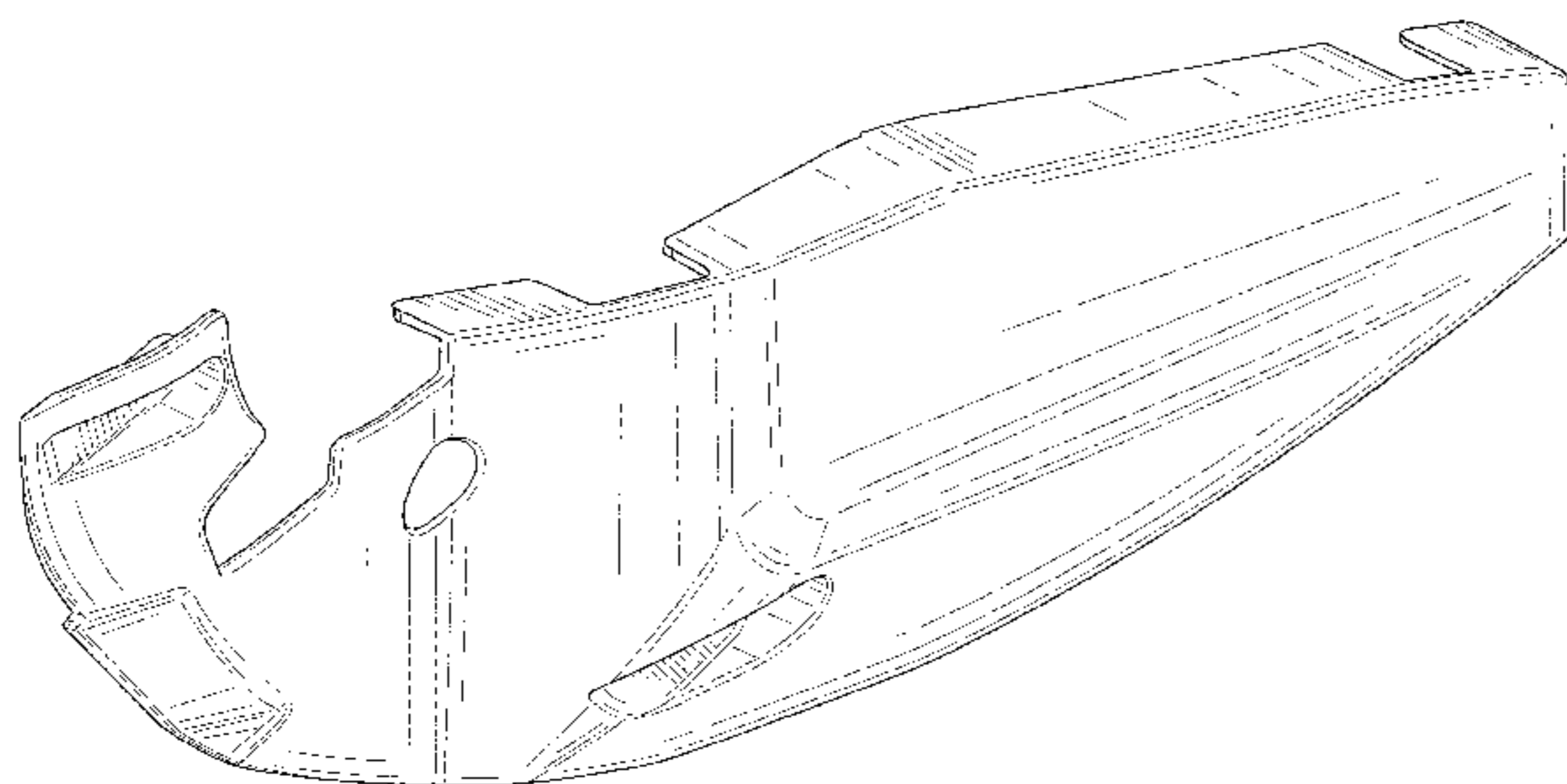
DESCRIPTION

FIG. 1 is a perspective view of a radiator extension of the present invention;
FIG. 2 is a perspective view thereof, in mirror image;
FIG. 3 is a front view thereof;
FIG. 4 is a rear view thereof;
FIG. 5 is a top view thereof;
FIG. 6 is a bottom view thereof;
FIG. 7 is a front elevation view thereof;
FIG. 8 is a rear elevation view thereof; and,
FIG. 9 is a perspective view thereof in a potential environment.

The broken lines illustrate the design's environment and form no part of the claimed design.

This application acknowledges and claims a mirror image of the present design, not shown in the figure drawings, as mirroring elements from one side of a vehicle to the other is well known in the art.

1 Claim, 7 Drawing Sheets



(56)

References Cited

U.S. PATENT DOCUMENTS

D820,173 S *	6/2018	McMahan	D12/169
D820,750 S *	6/2018	Hallgren	D12/184
D822,565 S *	7/2018	Hallgren	D12/184
D826,801 S *	8/2018	Platto	D12/169
D826,803 S *	8/2018	Smith	D12/169

* cited by examiner

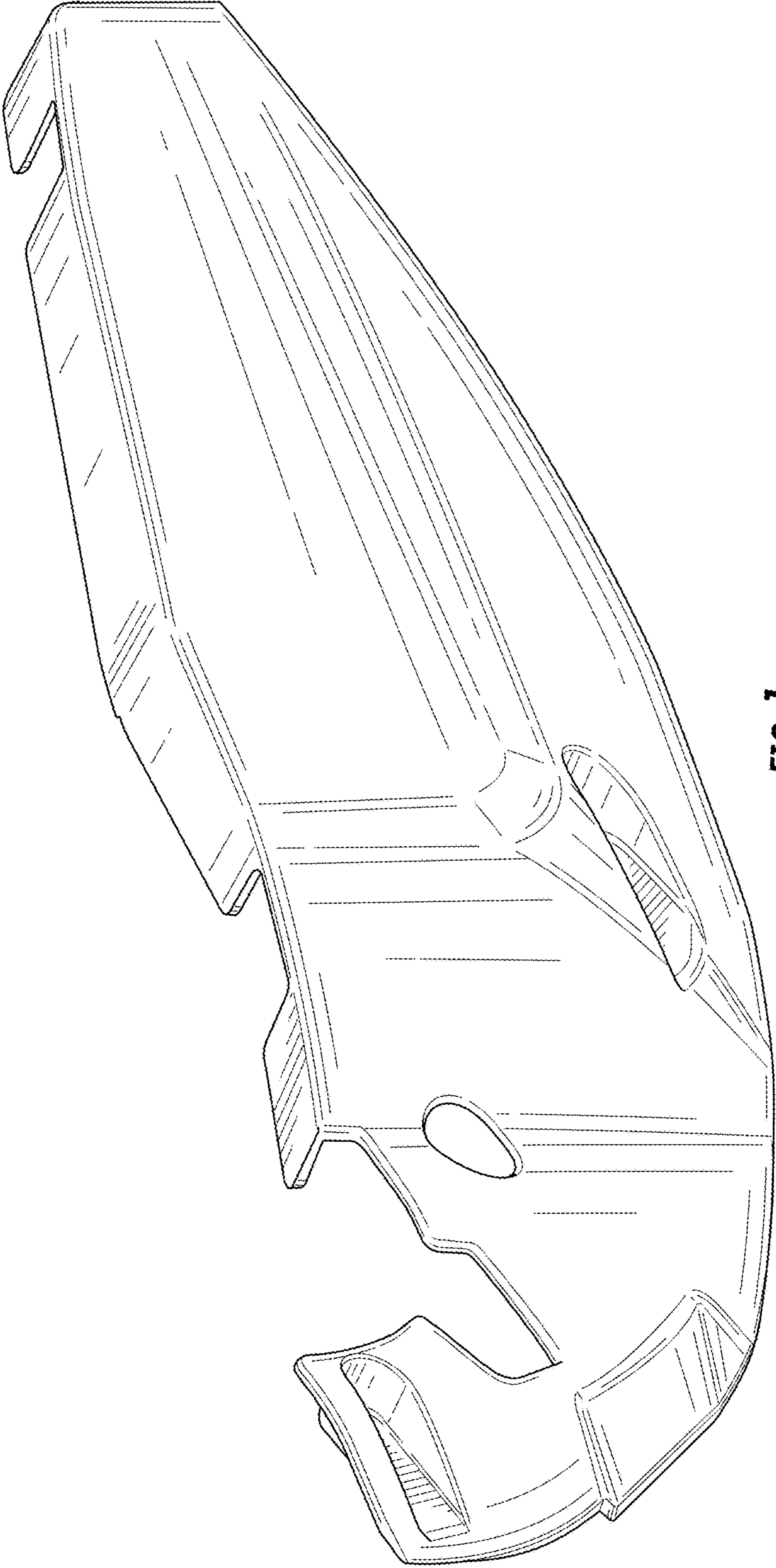


FIG. 1

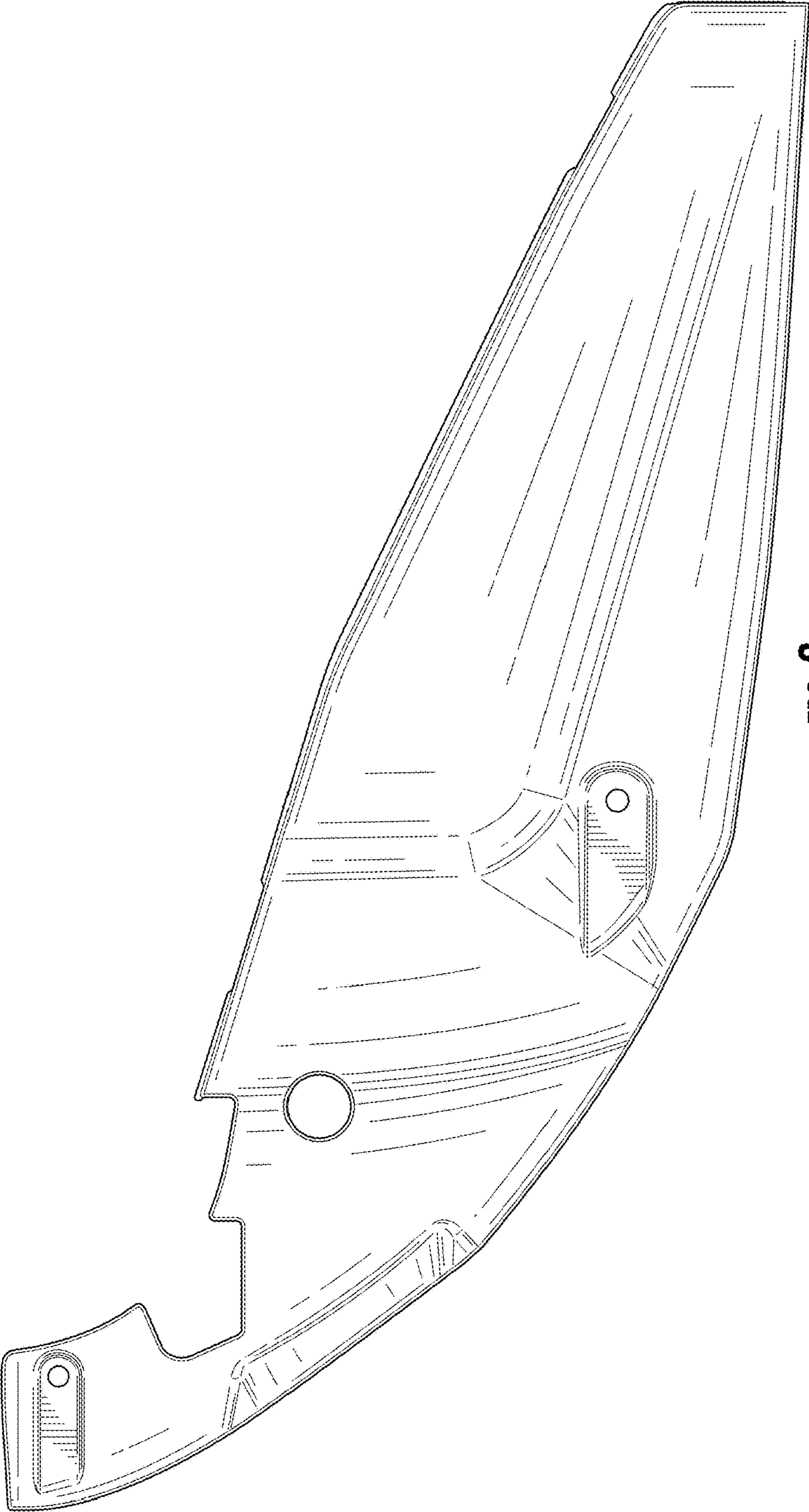


FIG. 2

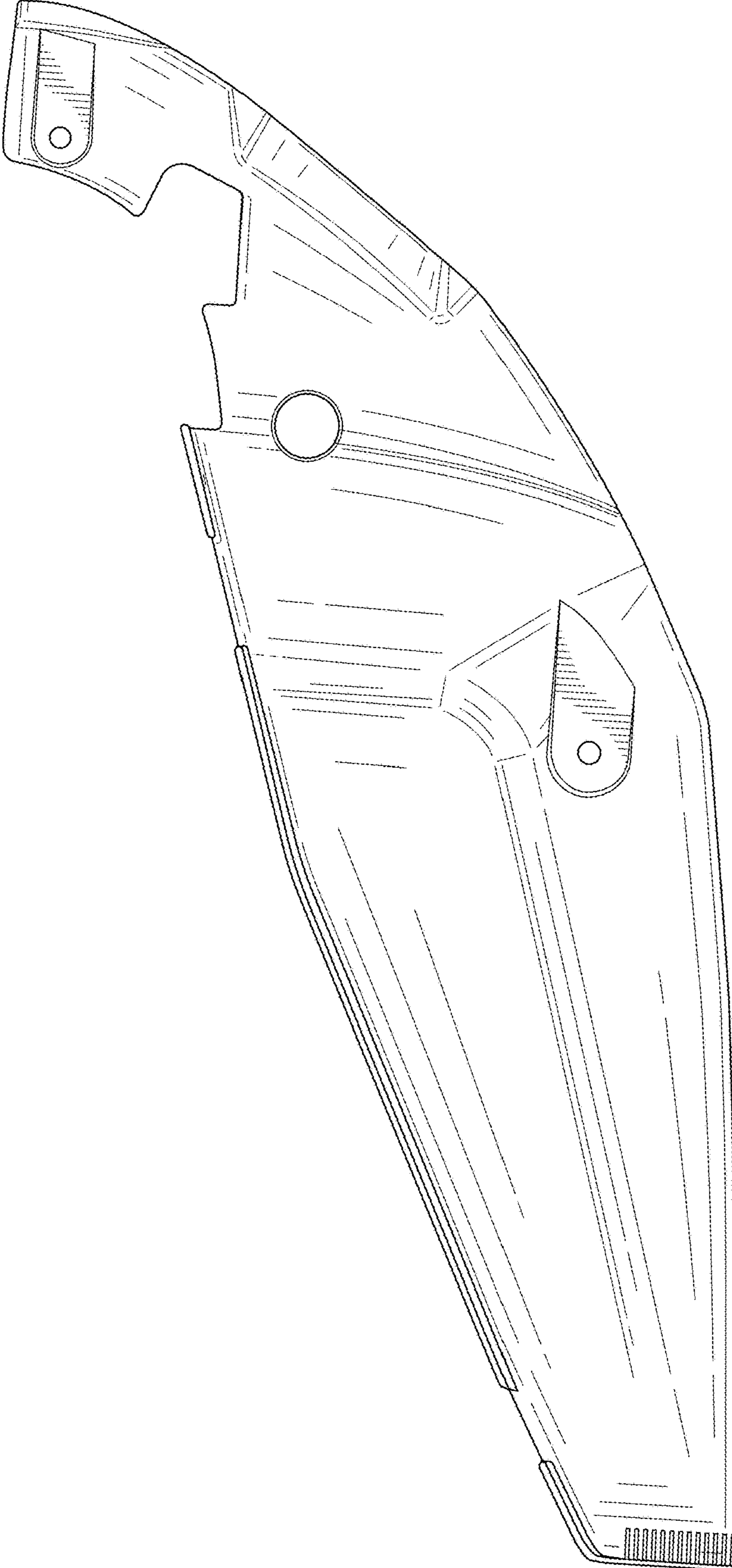


FIG. 3

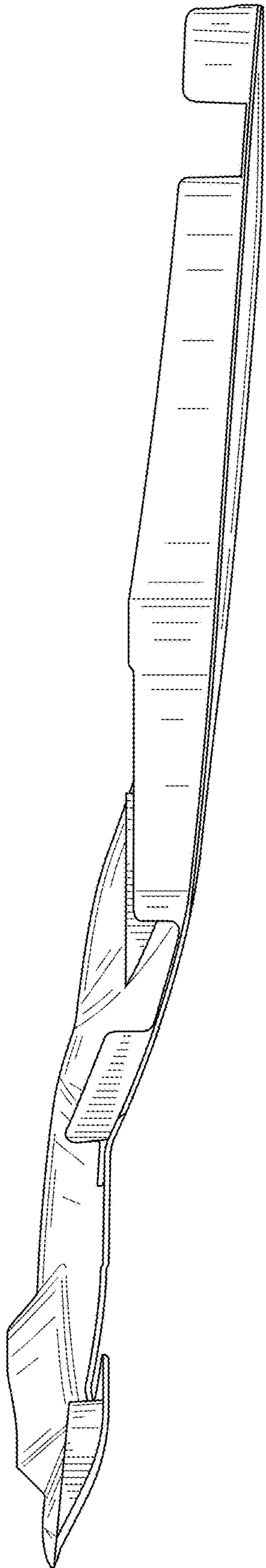


FIG. 4

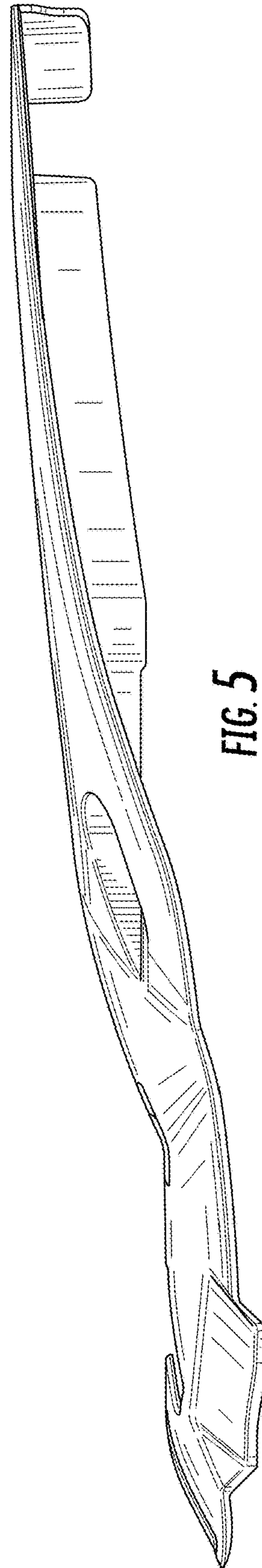


FIG. 5

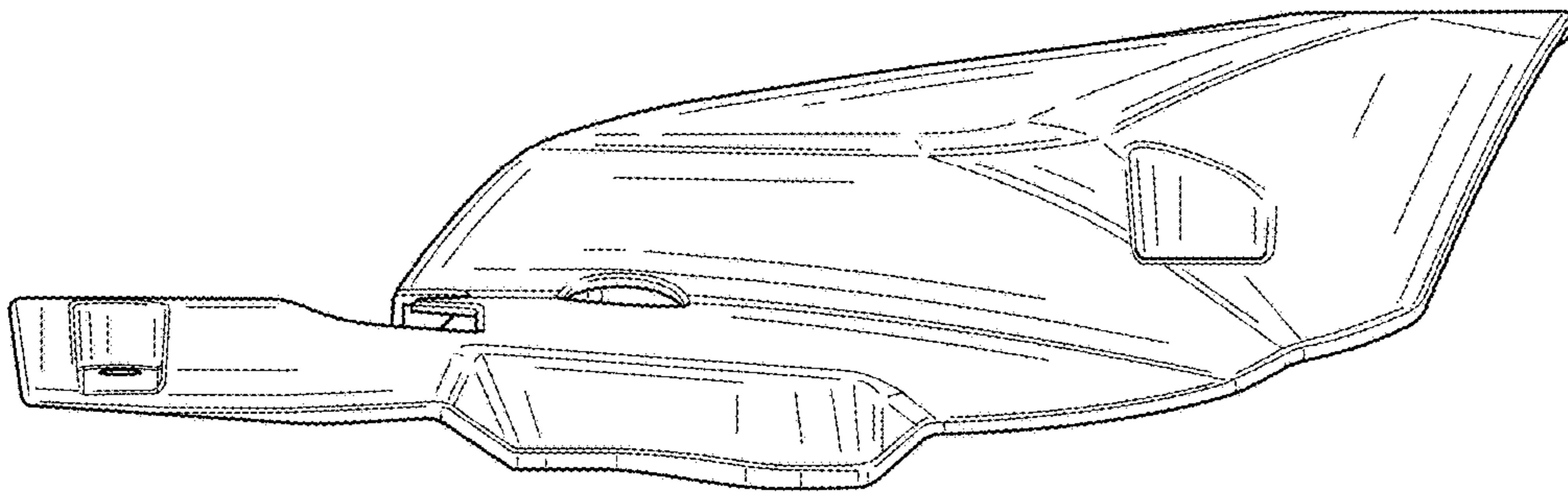


FIG. 7

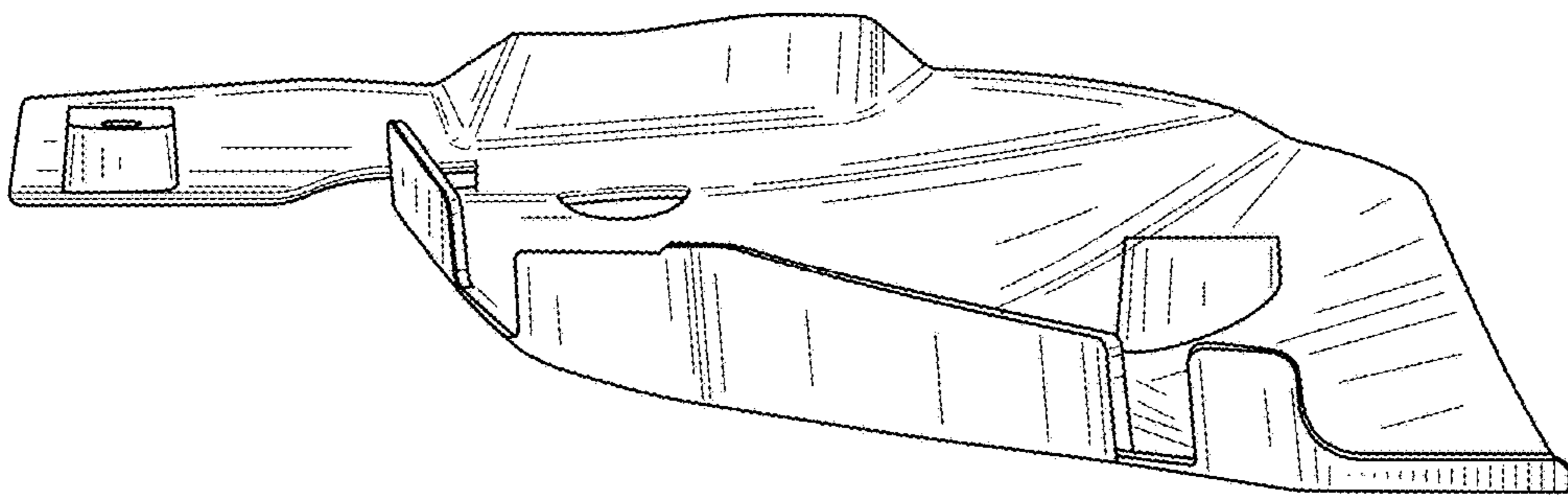


FIG. 6

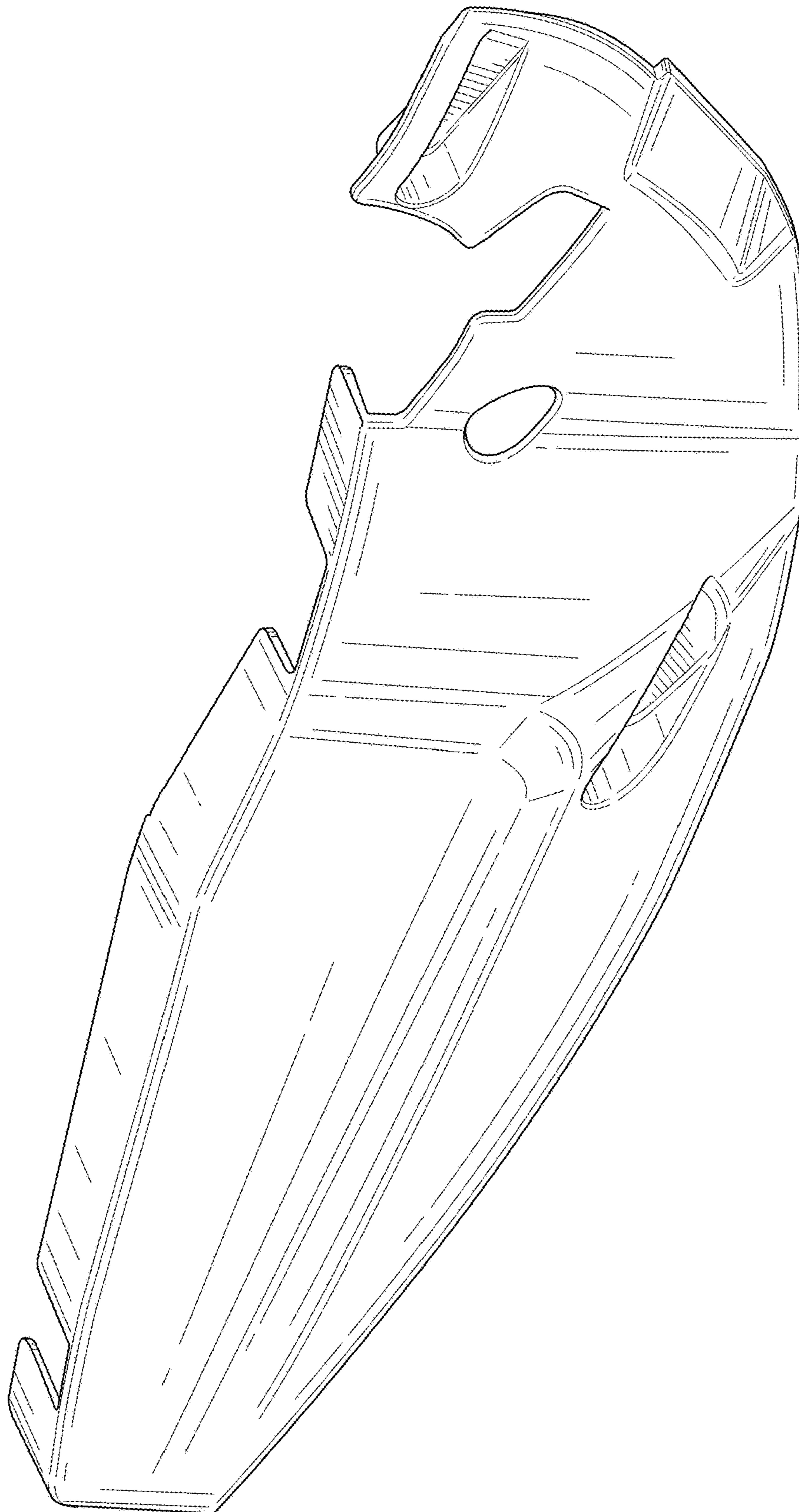


FIG. 8

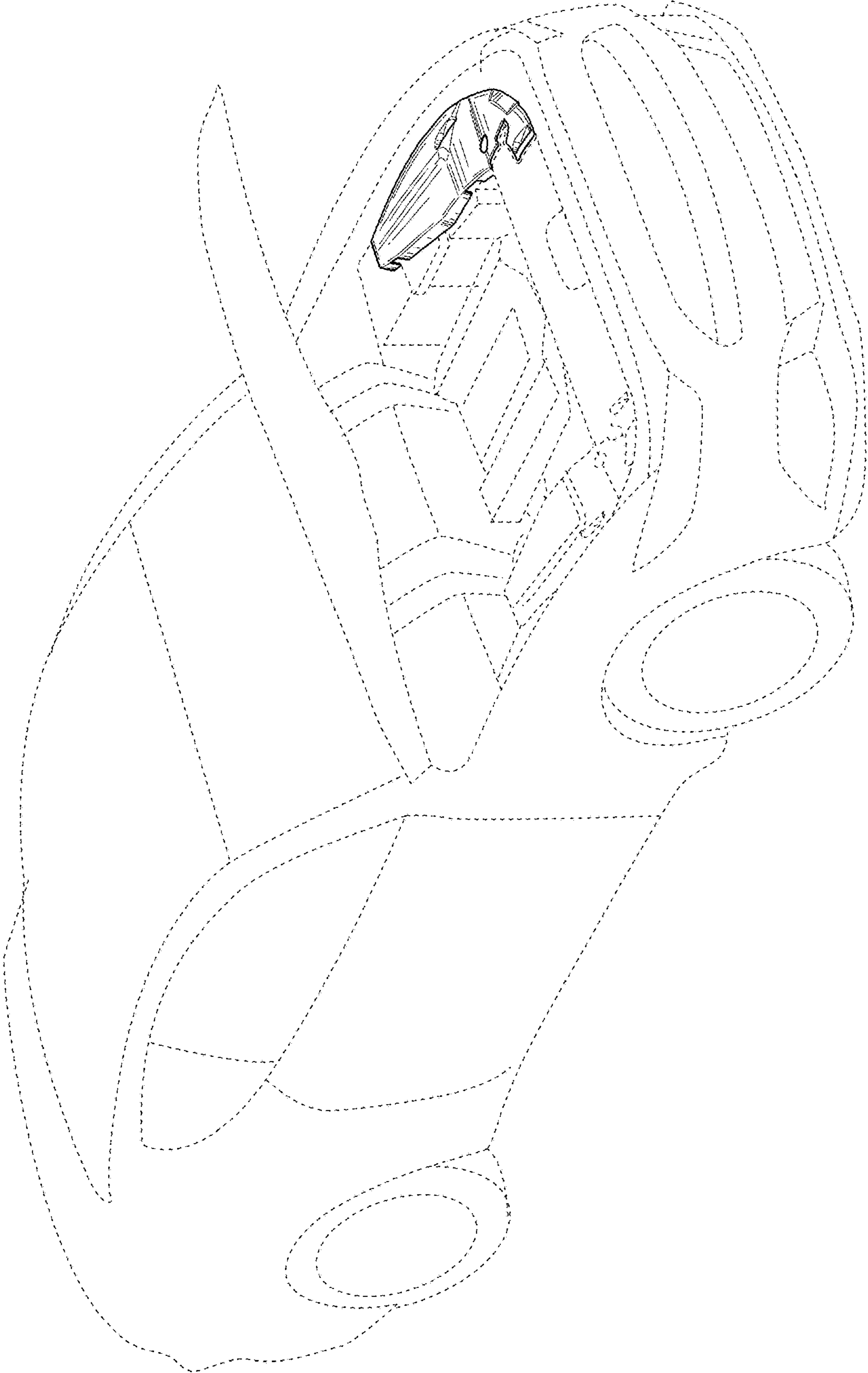


FIG. 9