



US00D841546S

(12) **United States Design Patent**  
**Holman**

(10) **Patent No.:** **US D841,546 S**

(45) **Date of Patent:** **\*\* Feb. 26, 2019**

(54) **DECORATIVE VEHICLE PIPE TIP**

(71) Applicant: **Raymond A. Holman**, Grand Rapids, MI (US)

(72) Inventor: **Raymond A. Holman**, Grand Rapids, MI (US)

(\*\*) Term: **15 Years**

(21) Appl. No.: **29/590,194**

(22) Filed: **Jan. 9, 2017**

**Related U.S. Application Data**

(62) Division of application No. 29/522,339, filed on Mar. 30, 2015, now Pat. No. Des. 776,031.

(51) **LOC (11) Cl.** ..... **12-16**

(52) **U.S. Cl.**  
USPC ..... **D12/194**

(58) **Field of Classification Search**  
USPC ..... D12/194; D15/5  
CPC ..... F01N 13/082; F01N 13/1805; F01N 13/20  
See application file for complete search history.

(56) **References Cited**

**U.S. PATENT DOCUMENTS**

D351,579 S	10/1994	Simpson	
D447,456 S	9/2001	Larson et al.	
D465,181 S *	11/2002	Wang	D12/194
D523,796 S	6/2006	Marques et al.	
D563,301 S *	3/2008	Douglas	D12/194
D605,100 S *	12/2009	Douglas	D12/194
D654,839 S	2/2012	Contreras	
D740,733 S *	10/2015	Rich	D12/194
D747,746 S *	1/2016	Giordano	D12/114

**OTHER PUBLICATIONS**

Co-pending and commonly-owned design U.S. Appl. No. 29/522,339, filed Mar. 30, 2015.

\* cited by examiner

*Primary Examiner* — Michael A. Pratt

(74) *Attorney, Agent, or Firm* — Gardner, Linn, Burkhardt & Ondersma LLP

(57) **CLAIM**

The ornamental design for a decorative vehicle pipe tip, as shown and described.

**DESCRIPTION**

FIG. 1 is a top perspective view of a decorative vehicle pipe tip showing my new design;

FIG. 2 is a front elevation of the decorative vehicle pipe tip of FIG. 1;

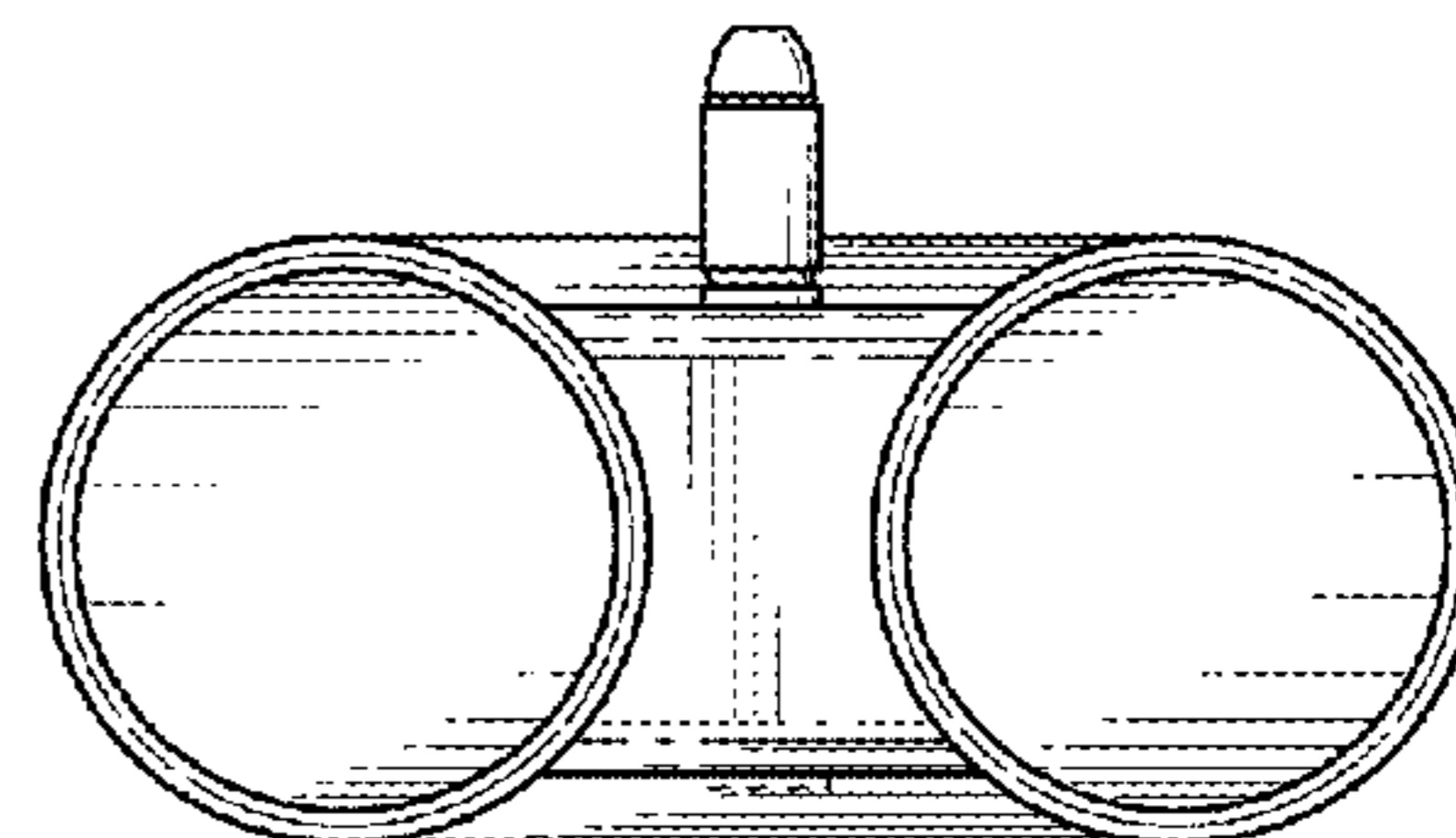
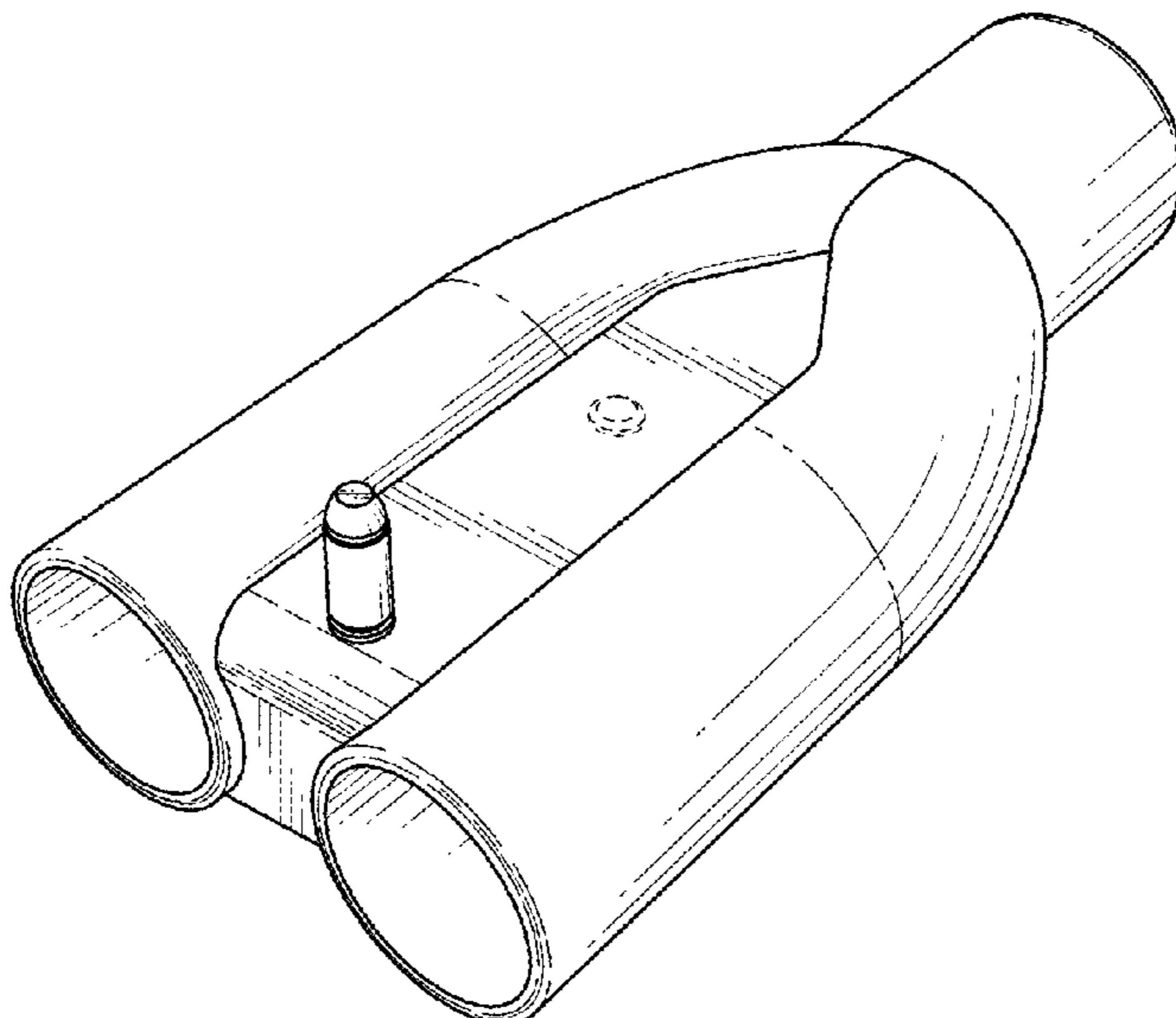
FIG. 3 is a right side elevation of the decorative vehicle pipe tip of FIG. 1, wherein a left side elevation is a mirror image of FIG. 3;

FIG. 4 is a top plan view of the decorative vehicle pipe tip of FIG. 1; and,

FIG. 5 is a bottom plan view of the decorative vehicle pipe tip of FIG. 1.

A rear elevation of the decorative vehicle pipe tip constitutes no part of the claimed design. In the drawings, the broken lines depict unclaimed subject matter only and form no part of the claimed design.

**1 Claim, 2 Drawing Sheets**



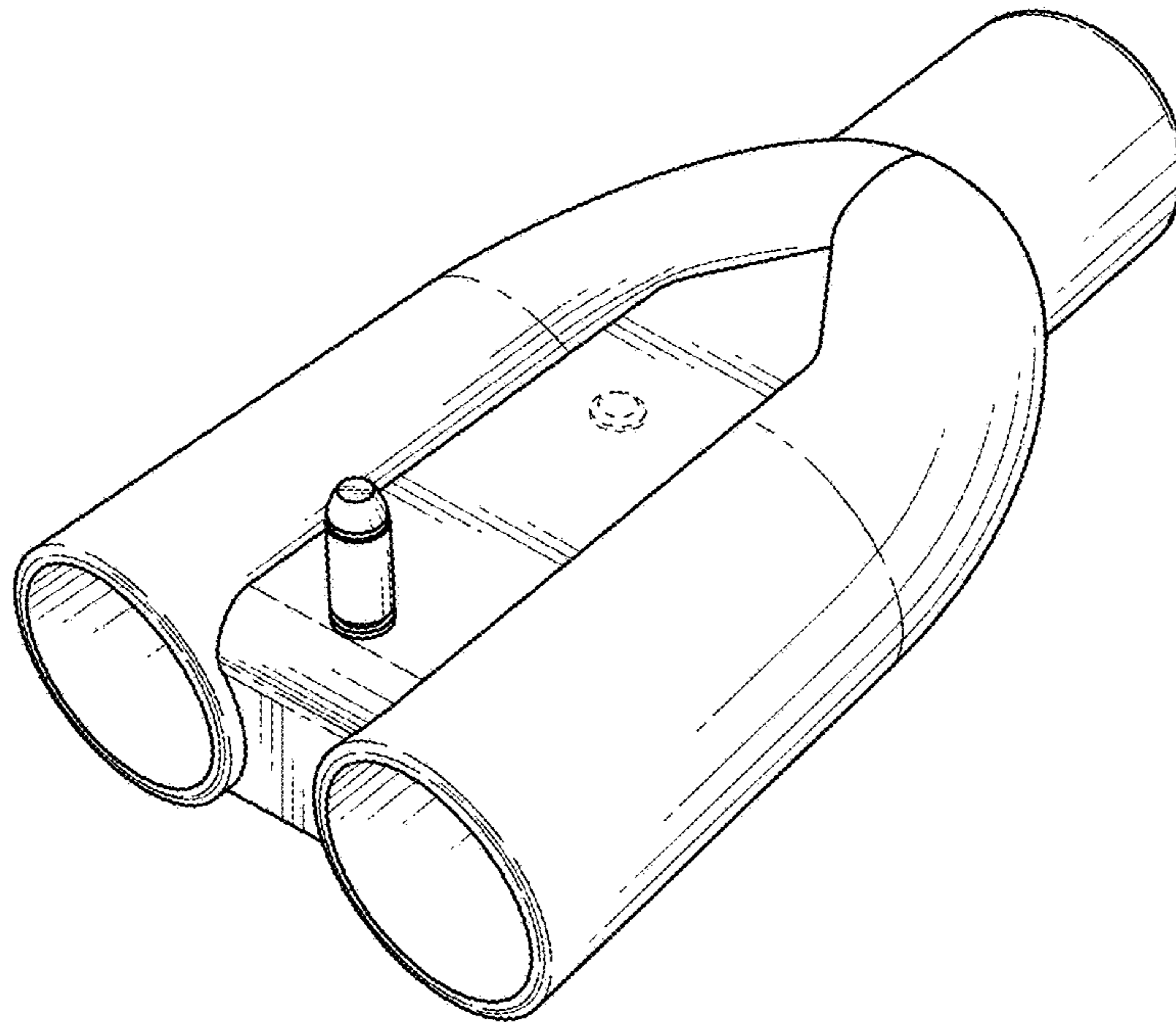


FIG. 1

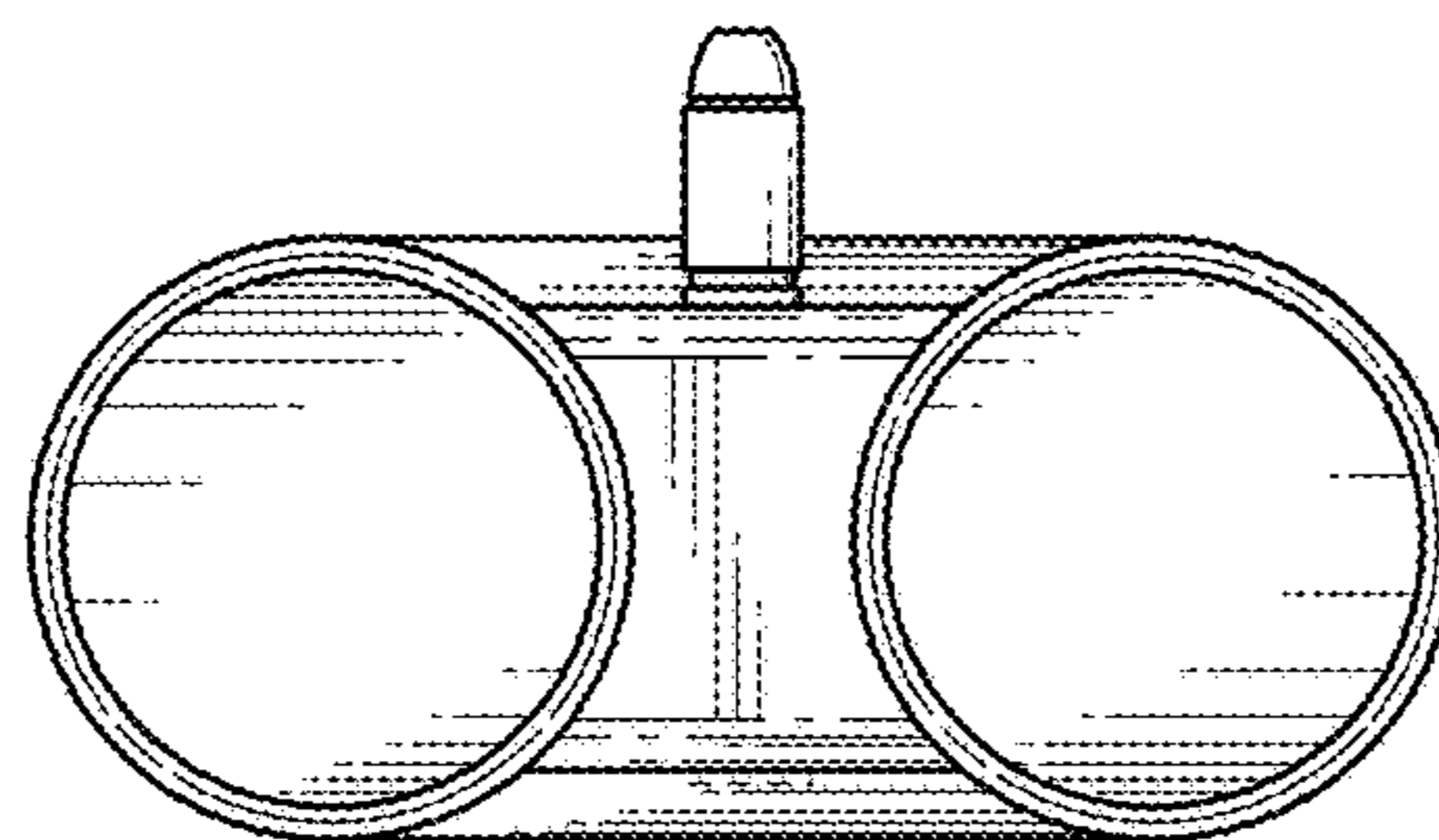


FIG. 2

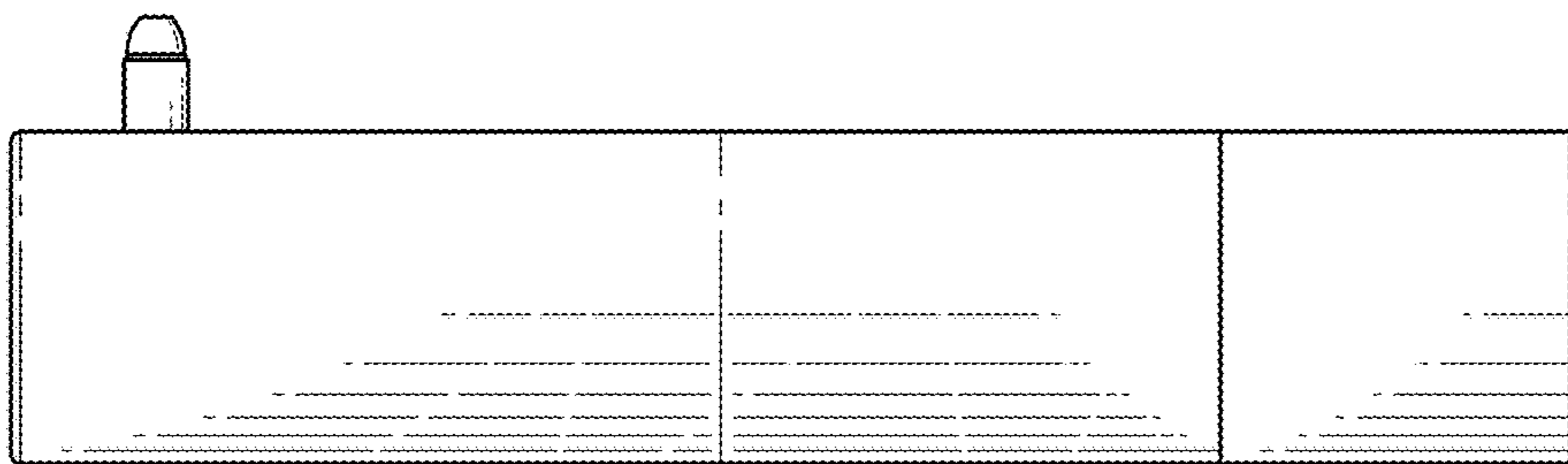


FIG. 3

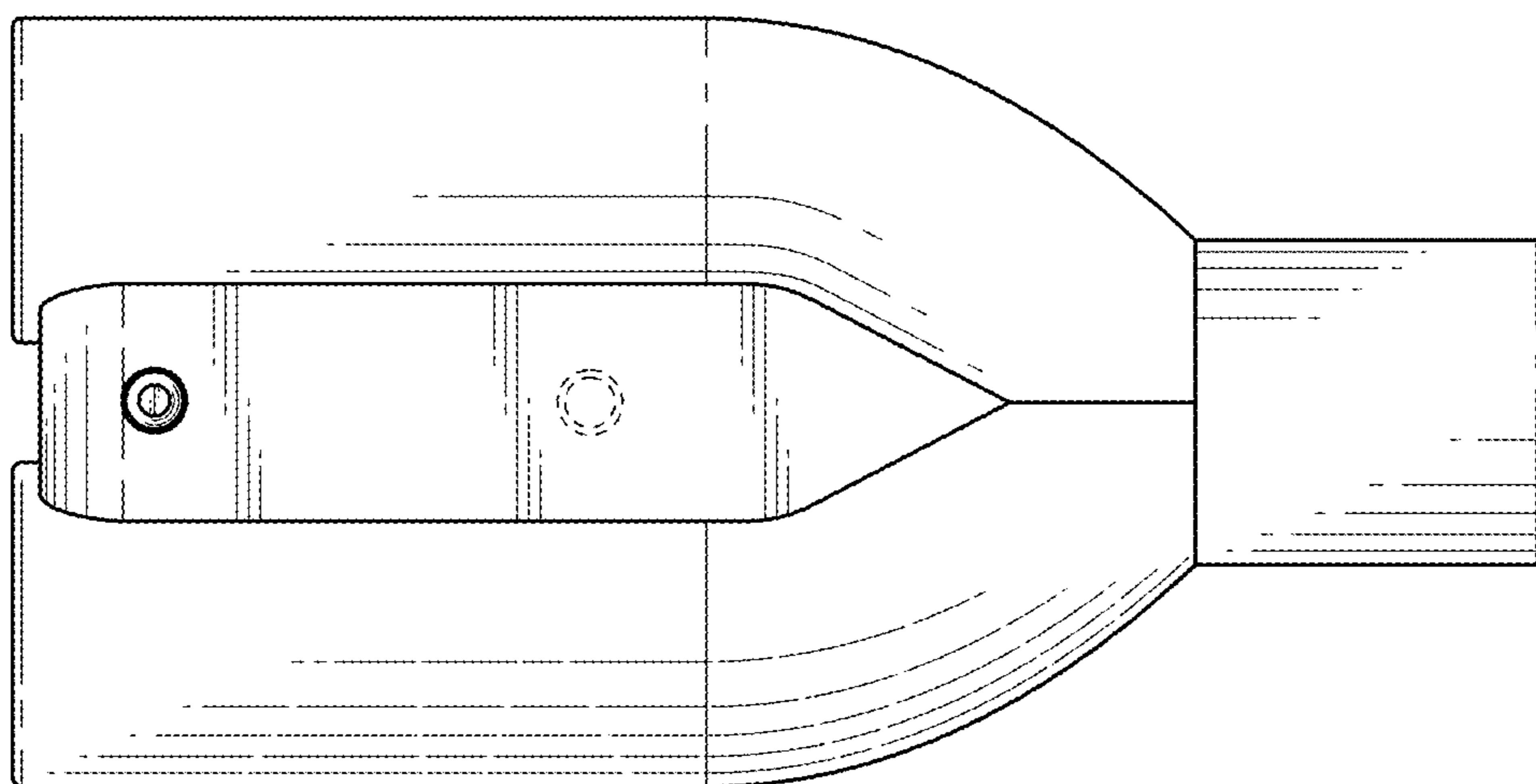


FIG. 4

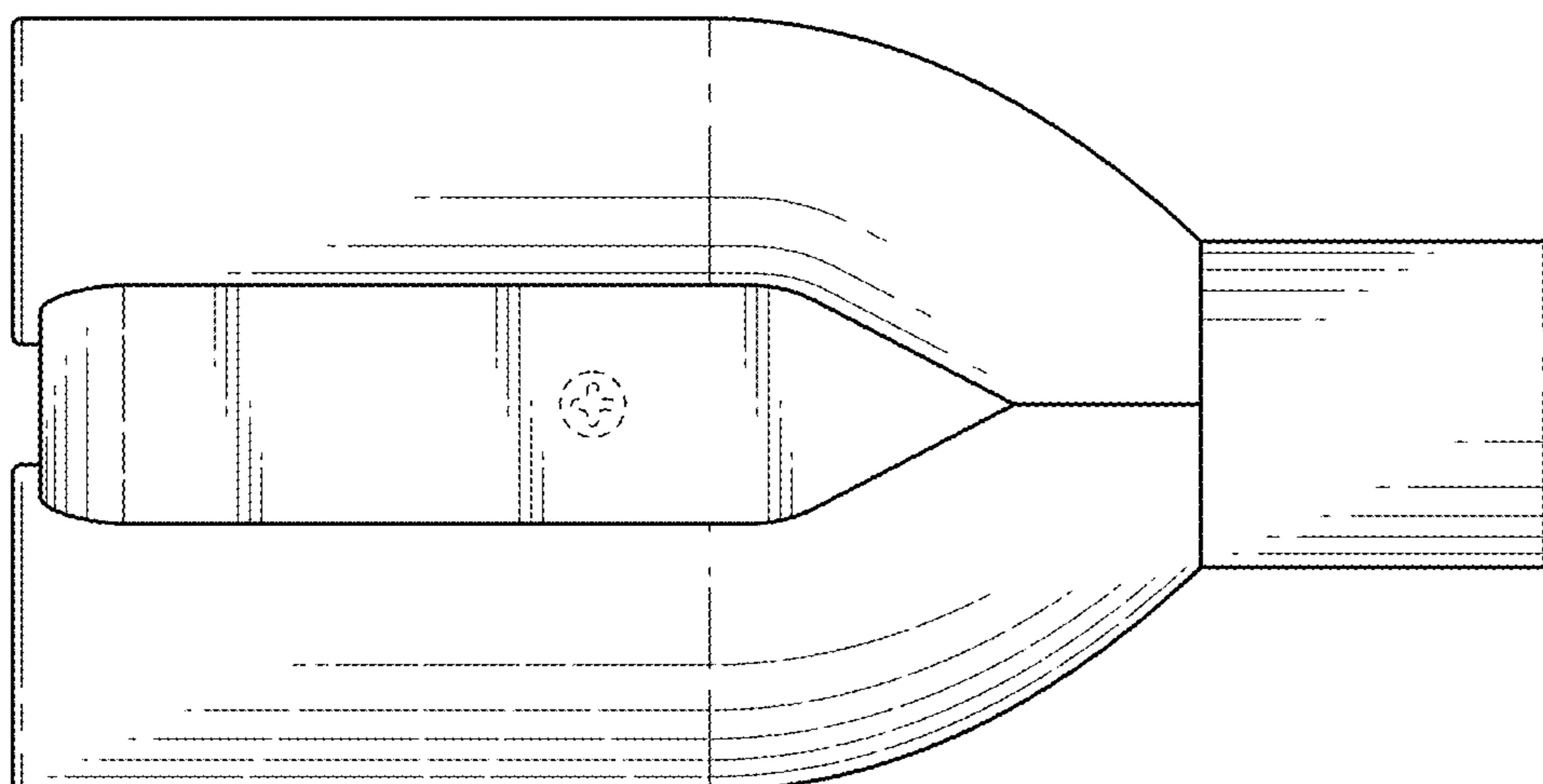


FIG. 5