



US00D841545S

(12) **United States Design Patent**
Nagano

(10) **Patent No.:** **US D841,545 S**

(45) **Date of Patent:** **** Feb. 26, 2019**

(54) **MUFFLER FOR WORKING VEHICLE**

(71) Applicant: **ISEKI & CO., LTD.**, Matsuyama-shi,
Ehime-Ken (JP)

(72) Inventor: **Ryota Nagano**, Ehime-ken (JP)

(73) Assignee: **ISEKI & CO., LTD.**, Matsuyama-Shi,
Ehime-Ken (JP)

(**) Term: **15 Years**

(21) Appl. No.: **29/587,127**

(22) Filed: **Dec. 9, 2016**

(30) **Foreign Application Priority Data**

Nov. 16, 2016 (JP) 2016-024952

(51) **LOC (11) Cl.** **12-16**

(52) **U.S. Cl.**
USPC **D12/194**

(58) **Field of Classification Search**
USPC D12/194; D15/5
CPC F01N 13/082; F01N 13/1805; F01N 13/20
See application file for complete search history.

(56) **References Cited**

U.S. PATENT DOCUMENTS

D748,027 S * 1/2016 Hunter D12/194
9,810,133 B2 * 11/2017 Sandou F01N 13/1805

2013/0298551 A1* 11/2013 Shin F01N 13/00
60/605.1
2018/0142604 A1* 5/2018 Niaz F01N 13/1805
2018/0149070 A1* 5/2018 Kawakami F01N 13/10
2018/0156103 A1* 6/2018 Niaz F01N 13/141

FOREIGN PATENT DOCUMENTS

GB 2550564 A * 11/2017 F01N 13/08

* cited by examiner

Primary Examiner — Michael A. Pratt

(74) *Attorney, Agent, or Firm* — Bacon & Thomas, PLLC

(57) **CLAIM**

The ornamental design for a muffler for working vehicle, as shown and described.

DESCRIPTION

FIG. 1 is a bottom view of the invention.
FIG. 2 is a first perspective view thereof.
FIG. 3 is a front view thereof.
FIG. 4 is a left side view thereof.
FIG. 5 is a plane view thereof.
FIG. 6 is a rear view thereof.
FIG. 7 is a right side view thereof; and,
FIG. 8 is a second perspective view thereof.

1 Claim, 8 Drawing Sheets

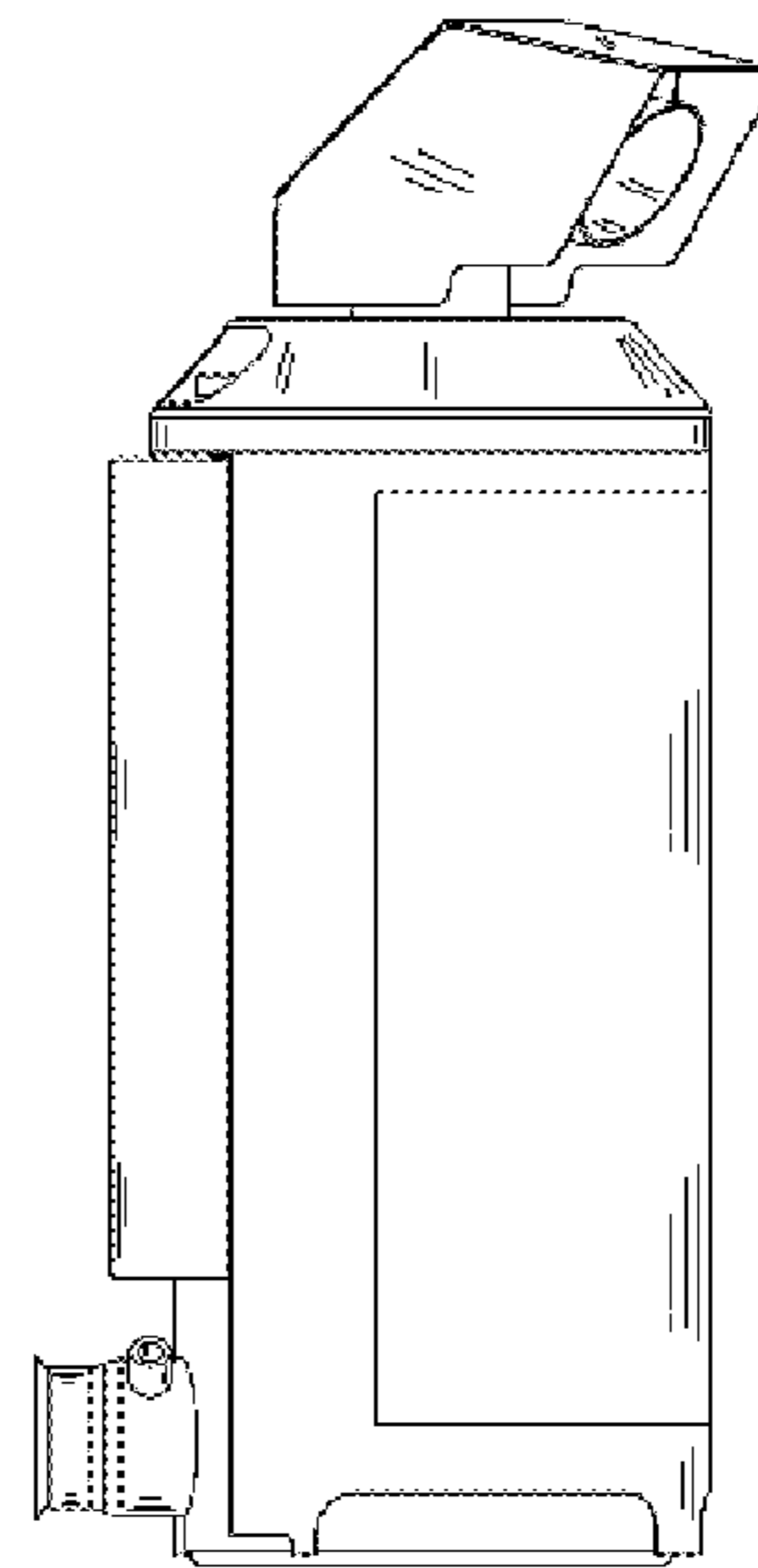
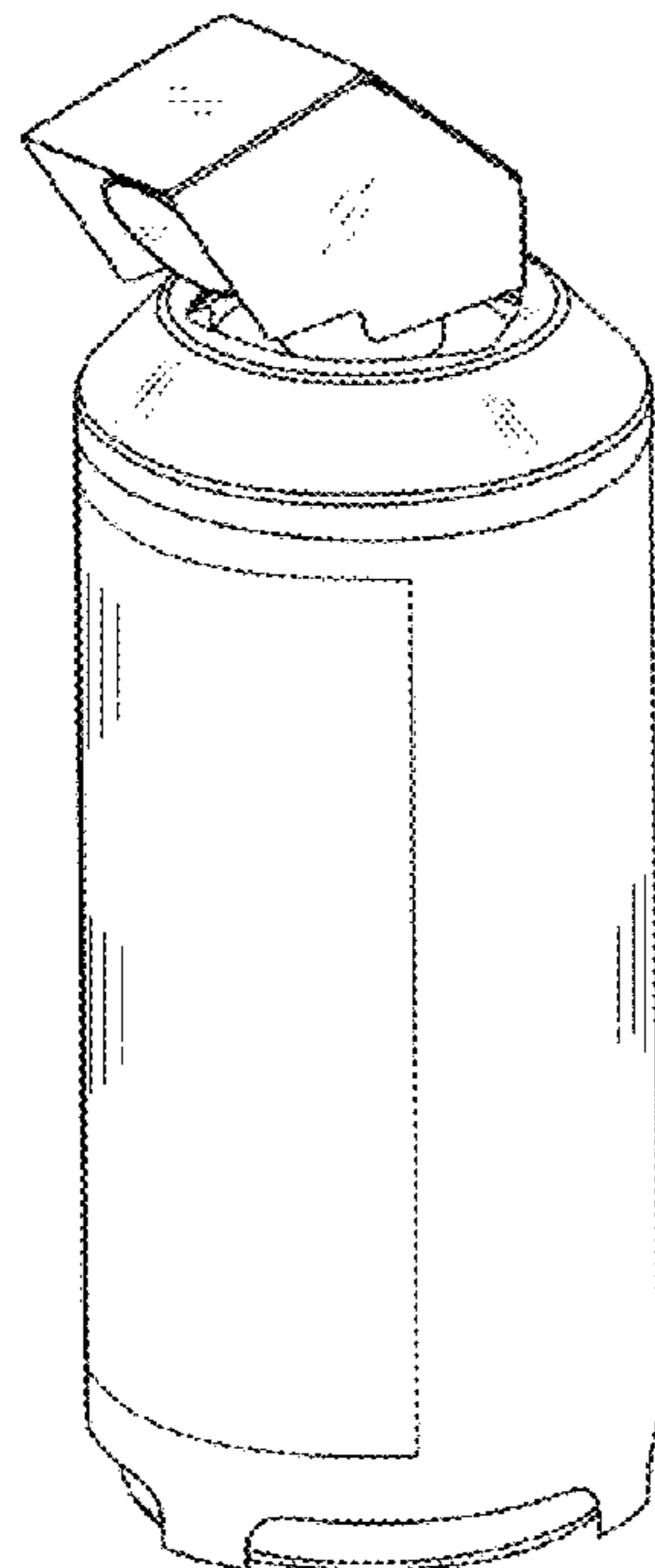


FIG. 1

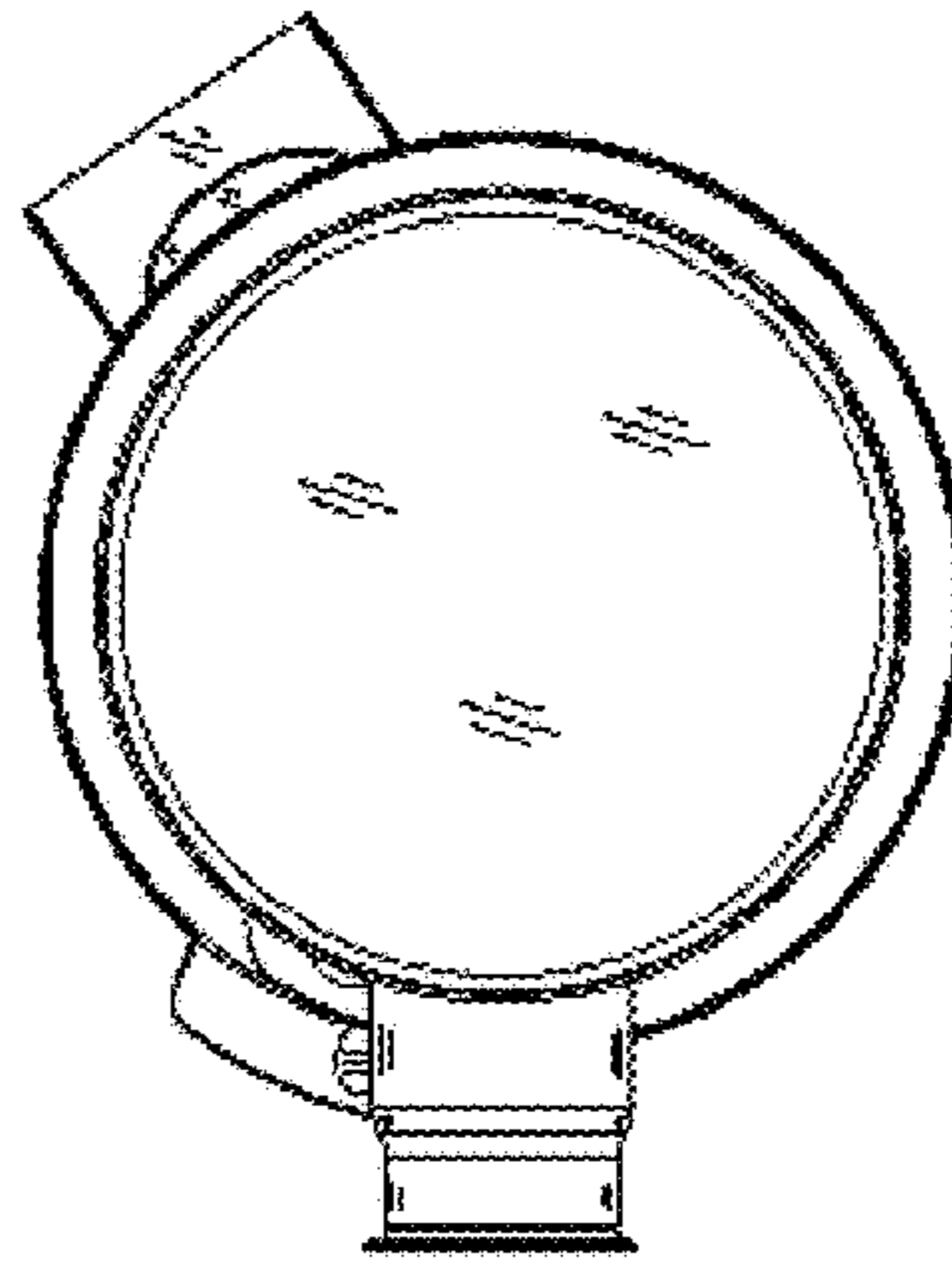


FIG. 2

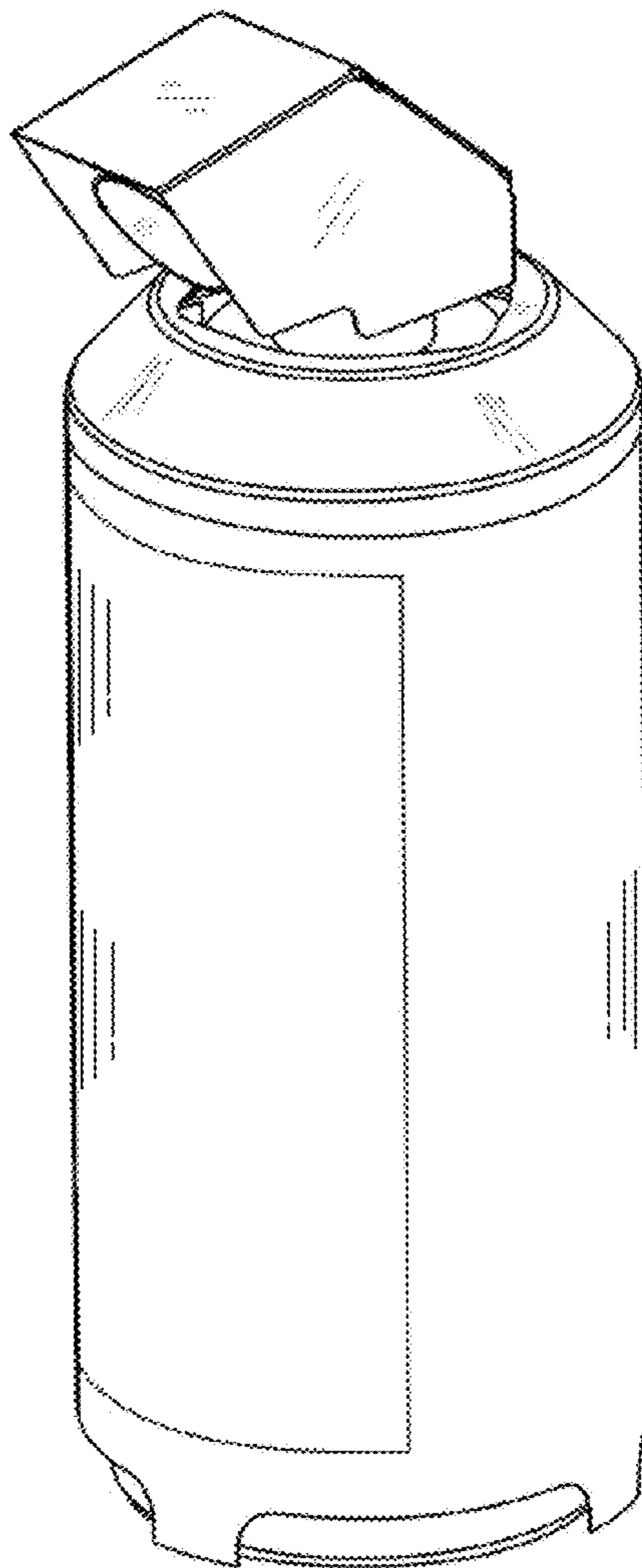


FIG. 3

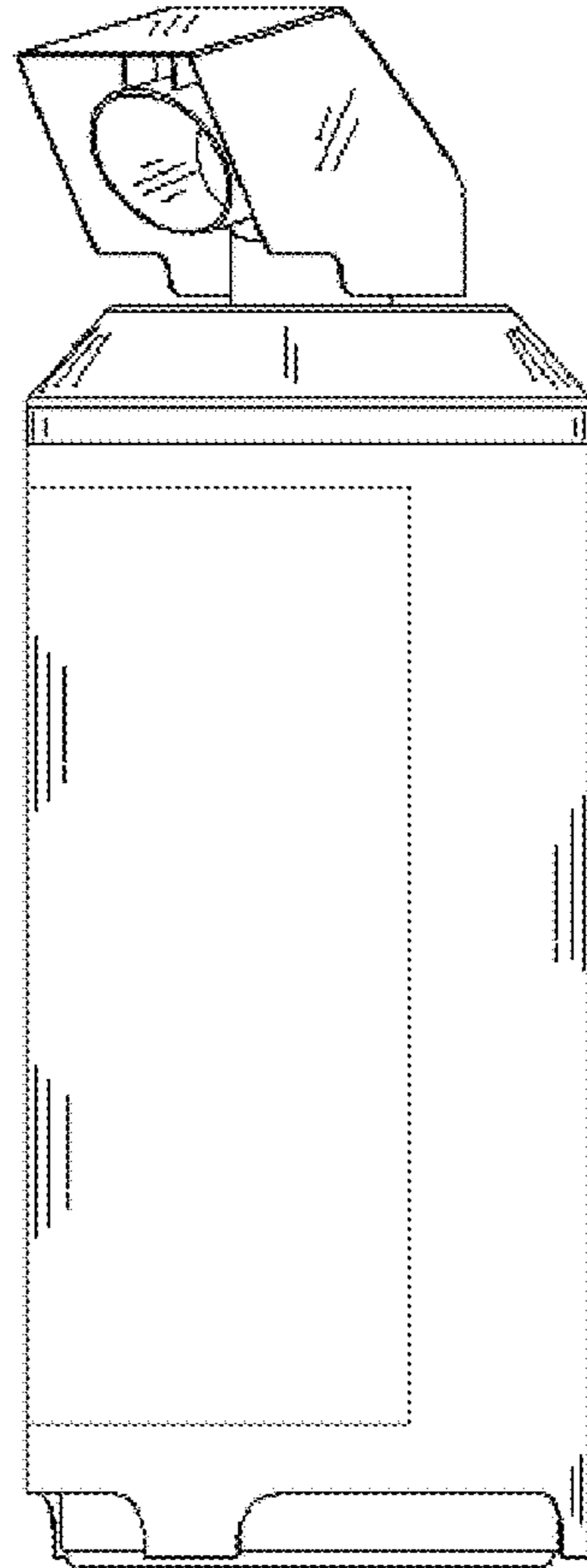


FIG. 4

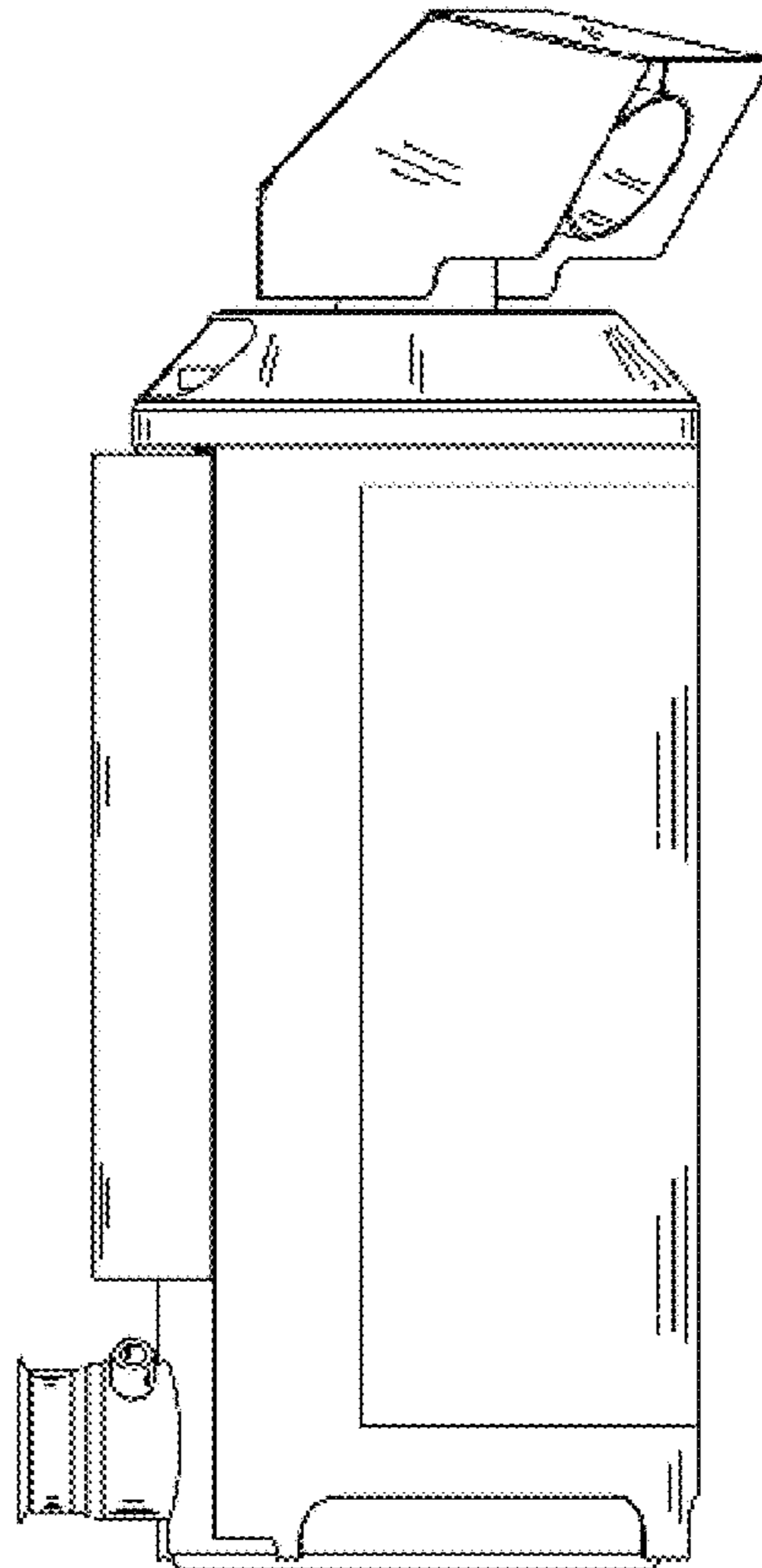


FIG. 5

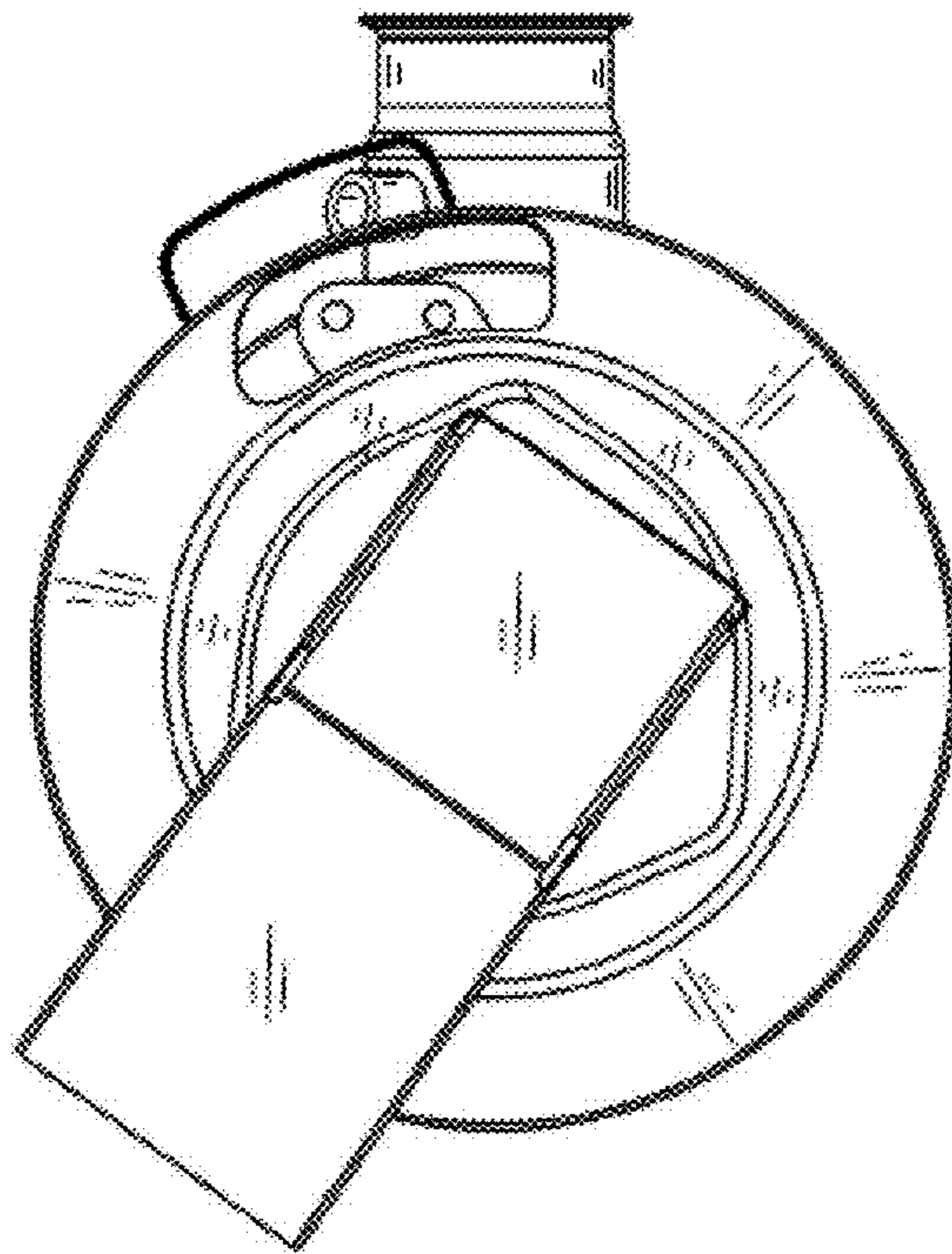


FIG. 6

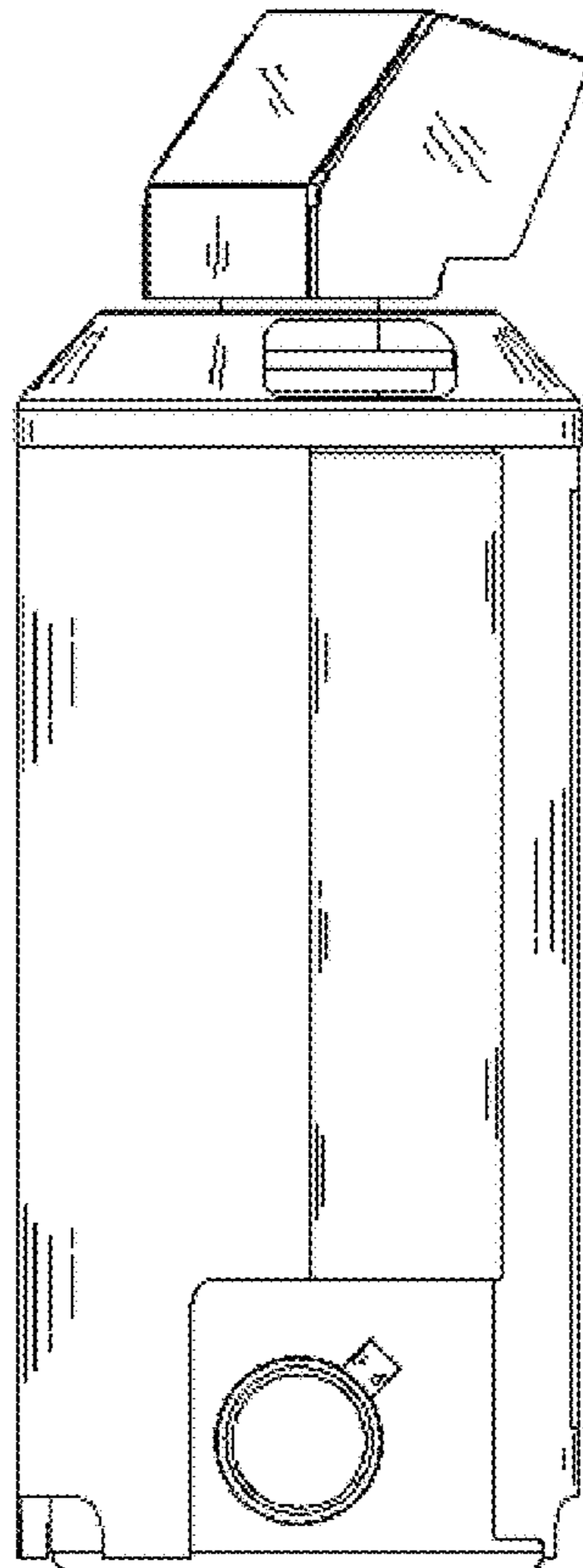


FIG. 7

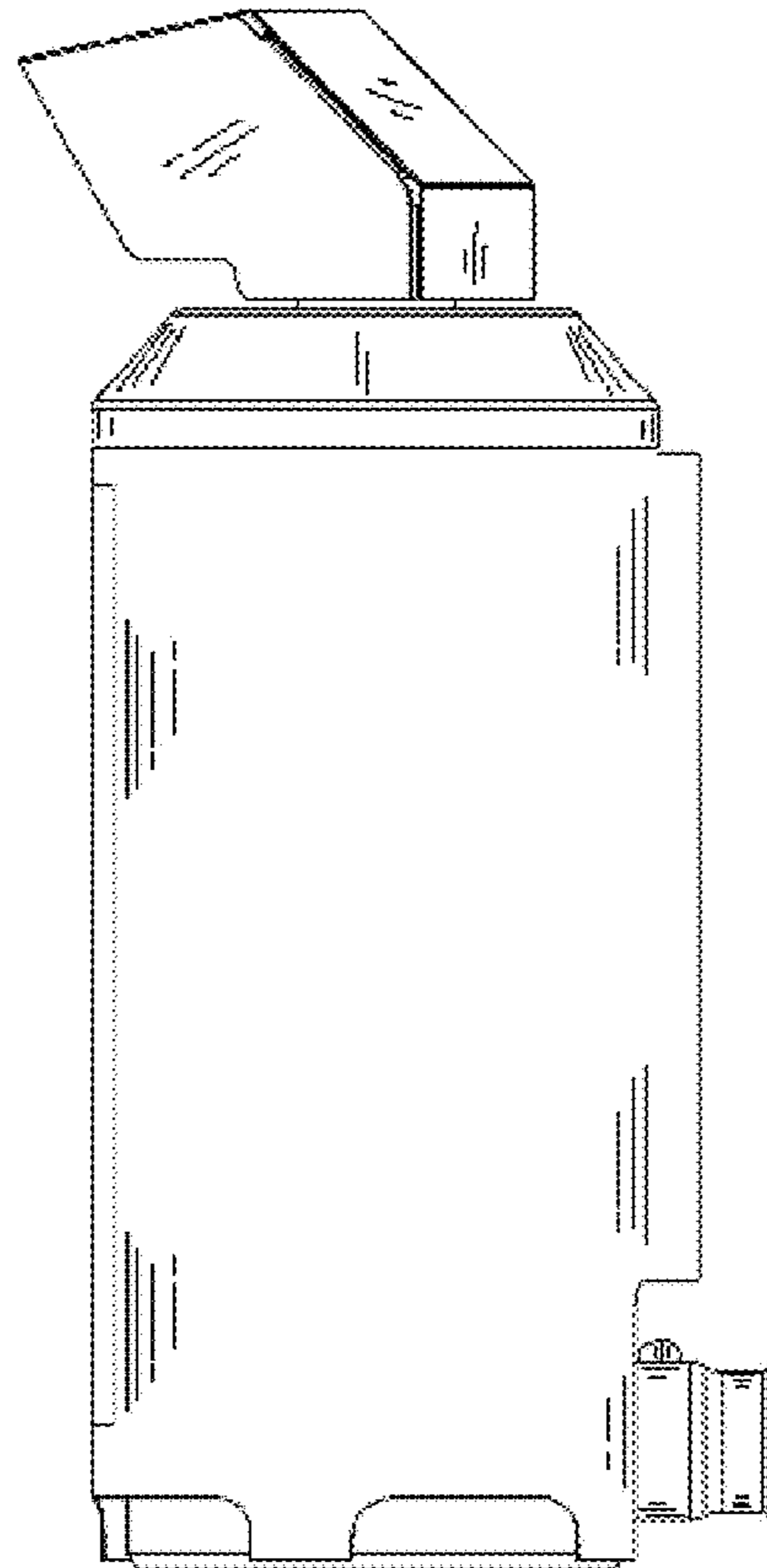


FIG. 8

