

US00D841544S

(12) **United States Design Patent**  
**Buffery**

(10) **Patent No.:** **US D841,544 S**

(45) **Date of Patent:** **\*\* Feb. 26, 2019**

(54) **INTERIOR PANEL FOR A VEHICLE**

(71) Applicant: **Jaguar Land Rover Limited**, Whitley, Coventry (GB)

(72) Inventor: **Martin Buffery**, Coventry (GB)

(73) Assignee: **Jaguar Land Rover Limited**, Whitley, Coventry (GB)

(\*\*) Term: **15 Years**

(21) Appl. No.: **29/603,679**

(22) Filed: **May 11, 2017**

(30) **Foreign Application Priority Data**

Nov. 11, 2016 (EM) ..... 003459536-0001  
Nov. 13, 2016 (EM) ..... 003460807-0005

(51) **LOC (11) Cl.** ..... **12-16**

(52) **U.S. Cl.**  
USPC ..... **D12/192**

(58) **Field of Classification Search**  
USPC ..... D12/192, 415  
CPC ..... B60R 21/045; B60K 35/00  
See application file for complete search history.

(56) **References Cited**

**U.S. PATENT DOCUMENTS**

D625,233 S \* 10/2010 Mizuhata ..... D12/192  
D721,996 S \* 2/2015 Farcas ..... D12/192  
D727,231 S \* 4/2015 Narita ..... D12/192  
9,457,755 B2 \* 10/2016 Merkel ..... B60R 21/045  
D770,968 S \* 11/2016 Willis ..... D12/415

**OTHER PUBLICATIONS**

Screenshot: Gallery: 2018 Land Rover Range Rover Velar Interior. Dated Jan. 25, 2018. 1 page. Found online Jun. 29, 2018 at <http://autoweek.com/gallery/car-reviews/gallery-2018-land-rover-range-rover-velar-interior> (Year: 2018).\*

\* cited by examiner

*Primary Examiner* — Robert M. Spear

(74) *Attorney, Agent, or Firm* — Wood Herron & Evans LLP

(57) **CLAIM**

The ornamental design for an interior panel for a vehicle, as shown and described.

**DESCRIPTION**

FIG. 1 is a front left perspective view of an interior panel for a vehicle according to the present invention.

FIG. 2 is a front right perspective view of the interior panel for a vehicle shown in FIG. 1.

FIG. 3 is a rear right perspective view thereof.

FIG. 4 is a rear left perspective view thereof.

FIG. 5 is a front and right view thereof.

FIG. 6 is a front view thereof.

FIG. 7 is a rear view thereof.

FIG. 8 is a left side view thereof.

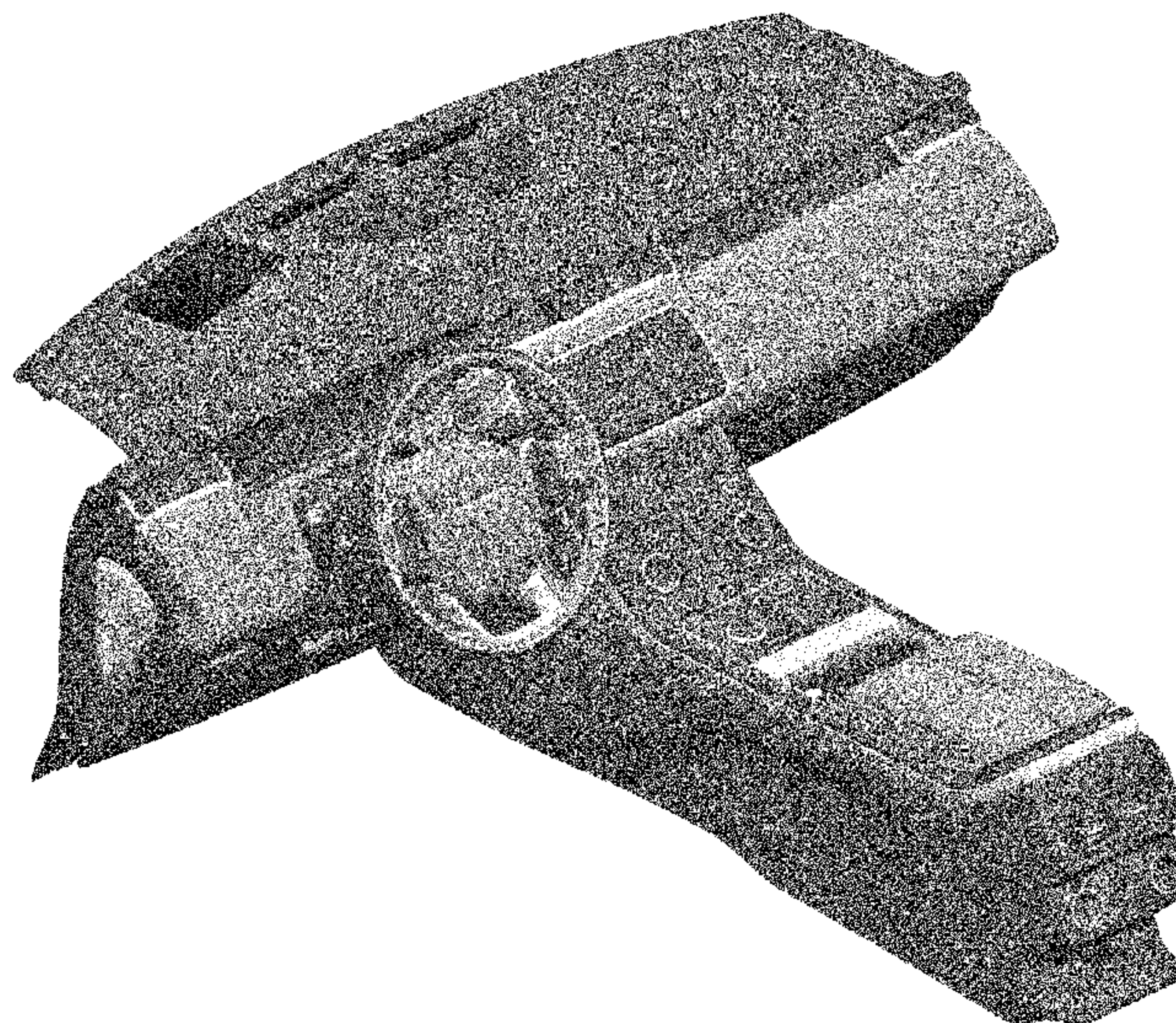
FIG. 9 is a right side view thereof.

FIG. 10 is a top view thereof.

FIG. 11 is a front right perspective view of the interior panel for a vehicle shown in FIG. 1, along with an accompanying center console, with the armrest of the center console moved forward and the screen deployed; and,

FIG. 12 is a front and right view of the center console shown in FIG. 11.

**1 Claim, 12 Drawing Sheets**





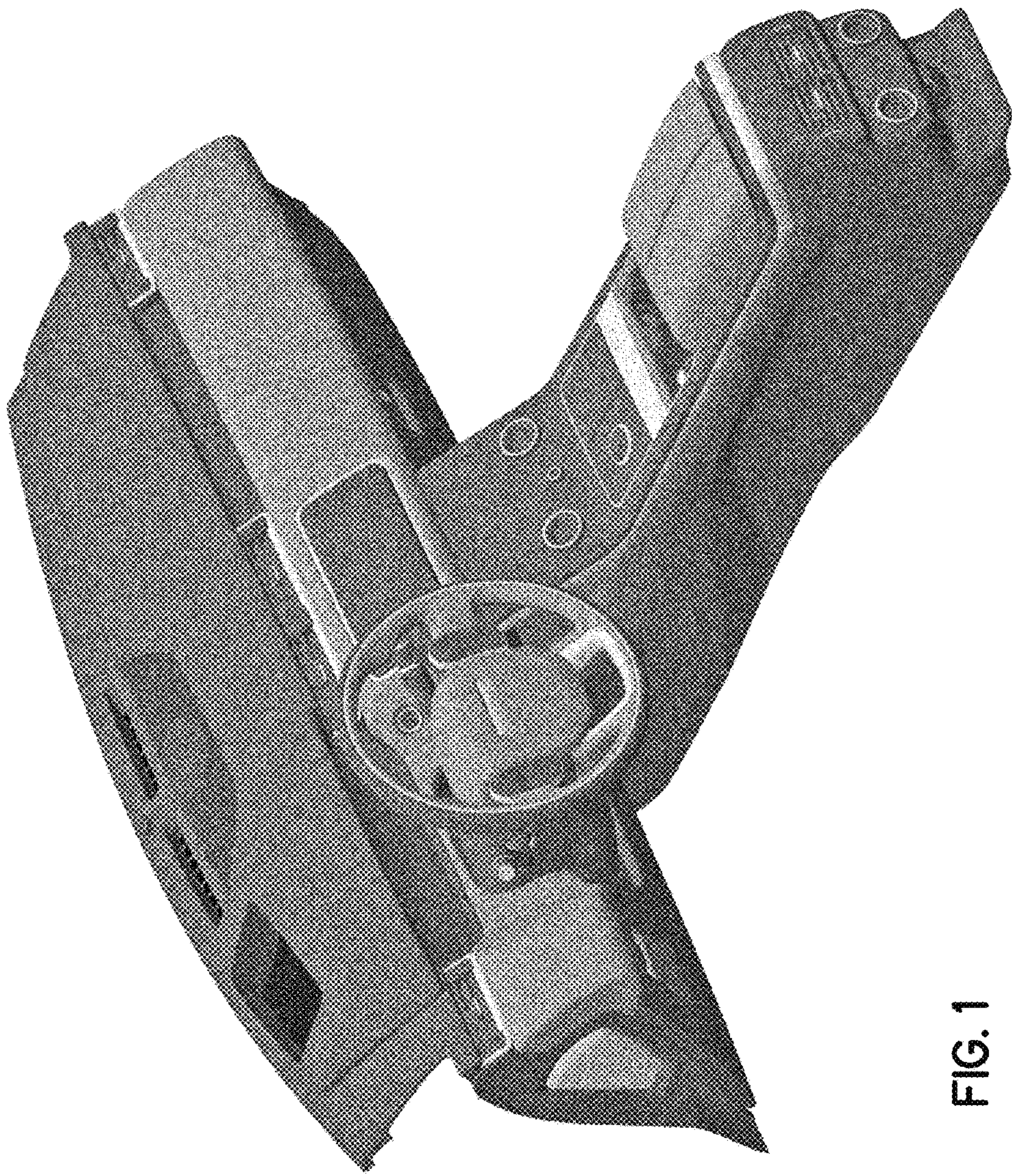


FIG. 1



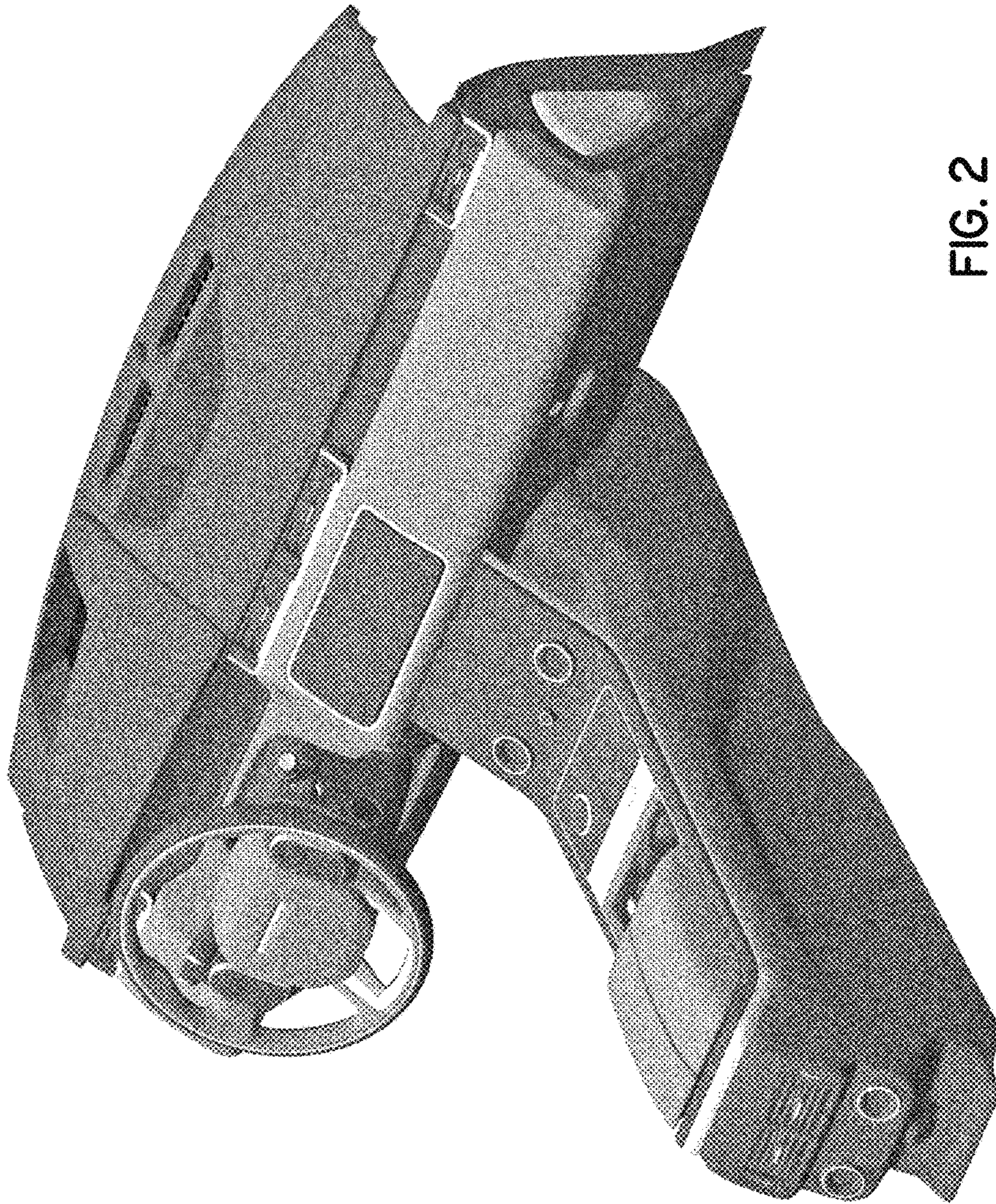


FIG. 2



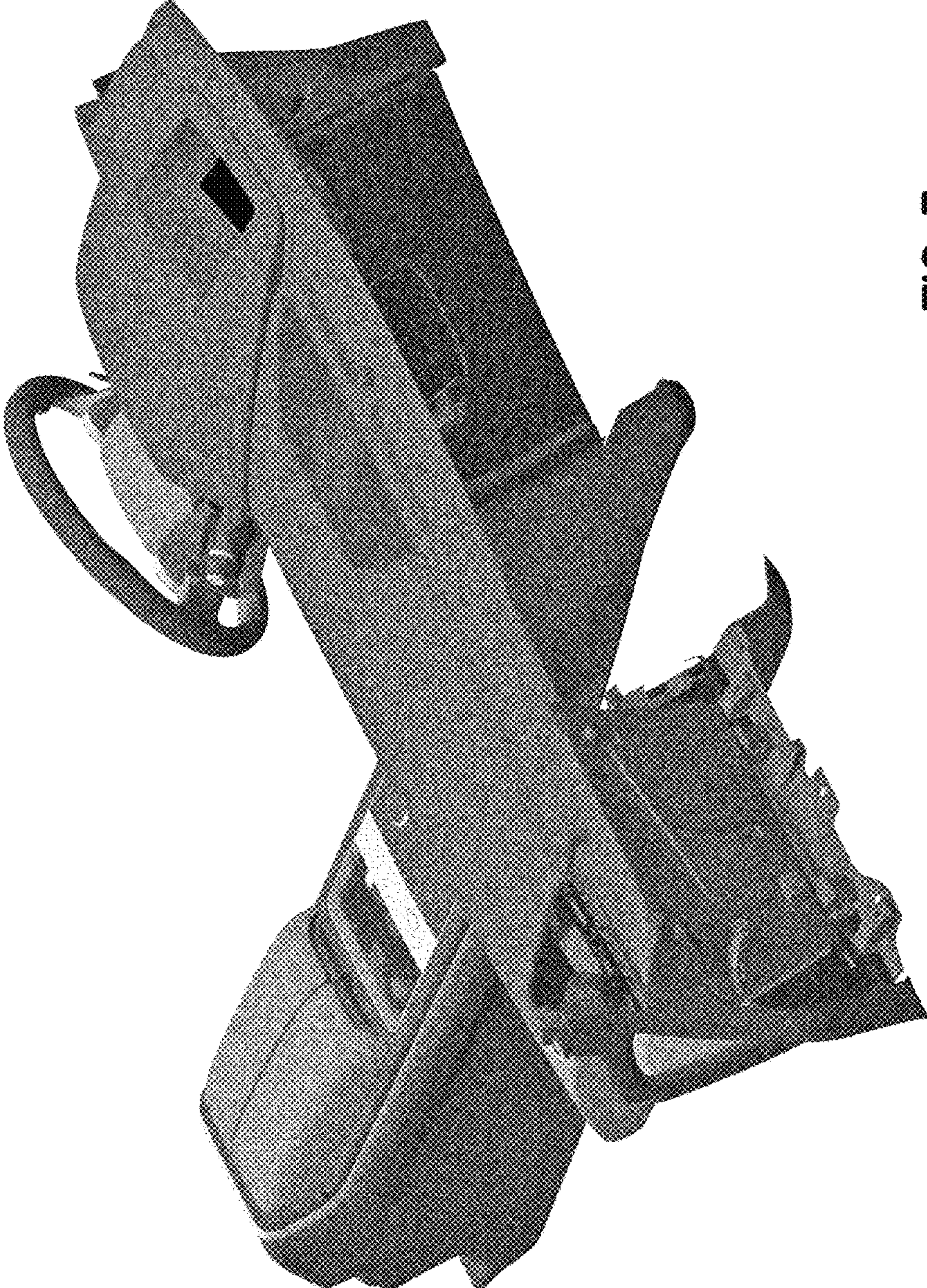


FIG. 3



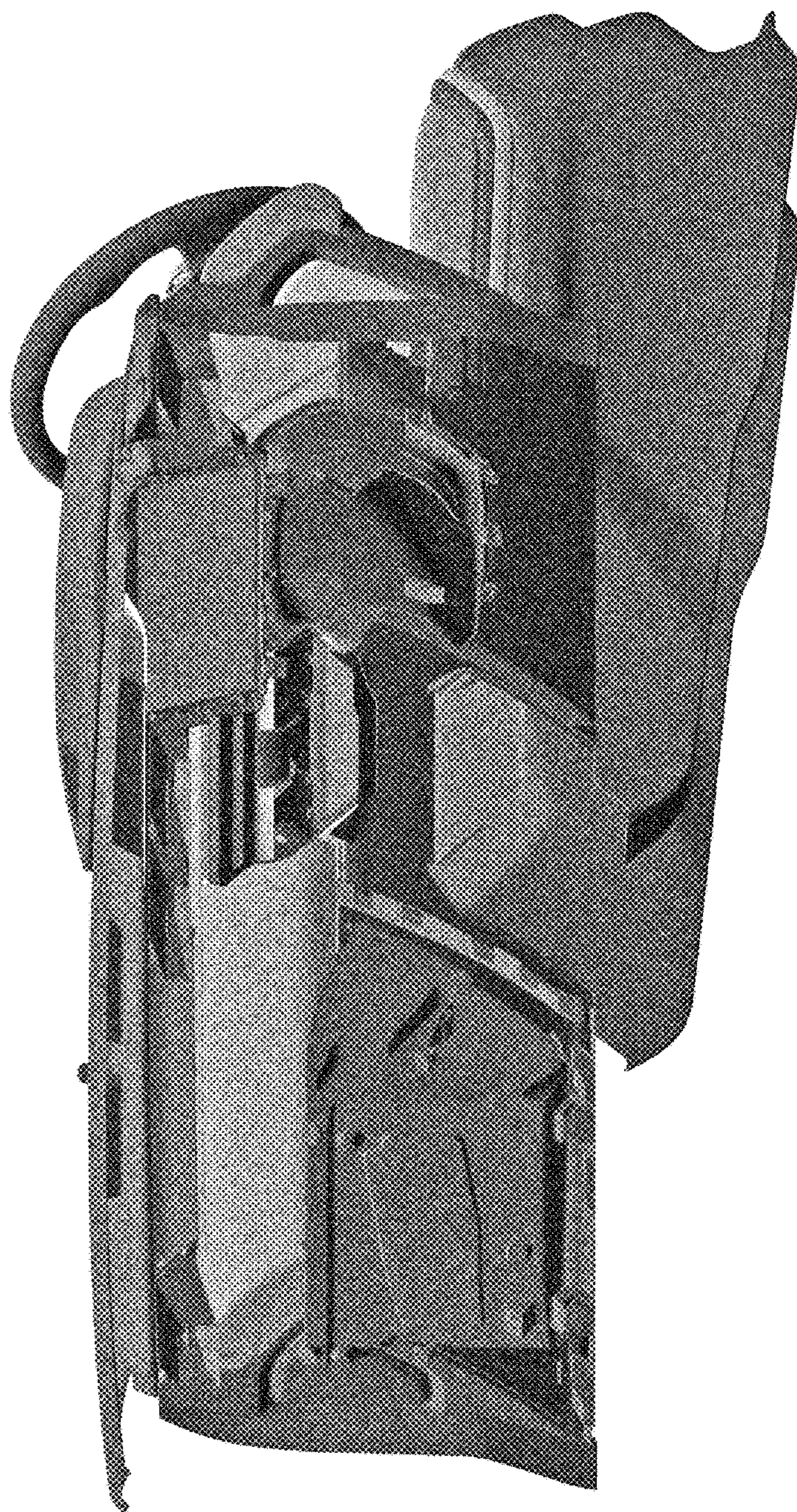


FIG. 4





FIG. 5



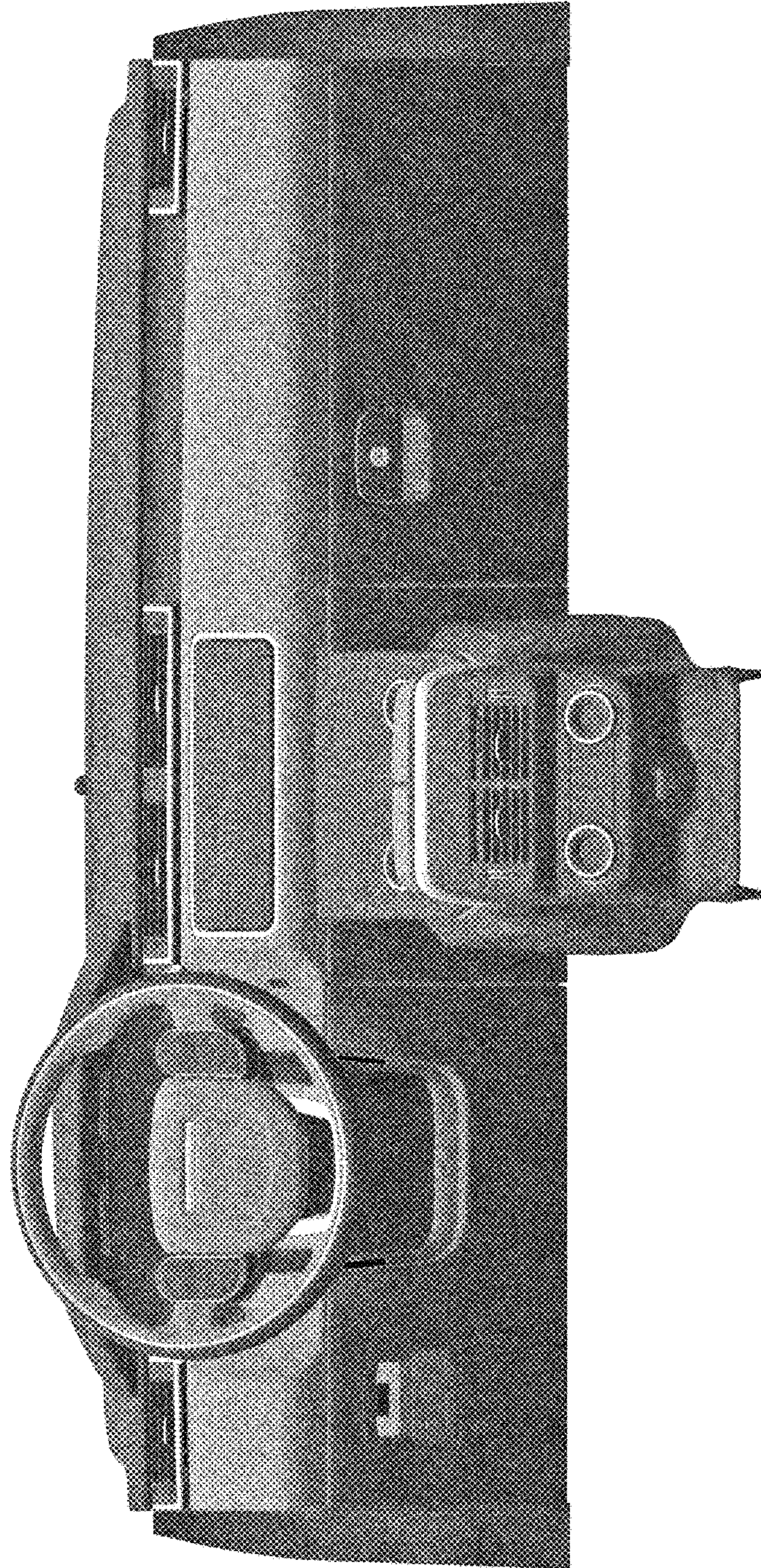


FIG. 6



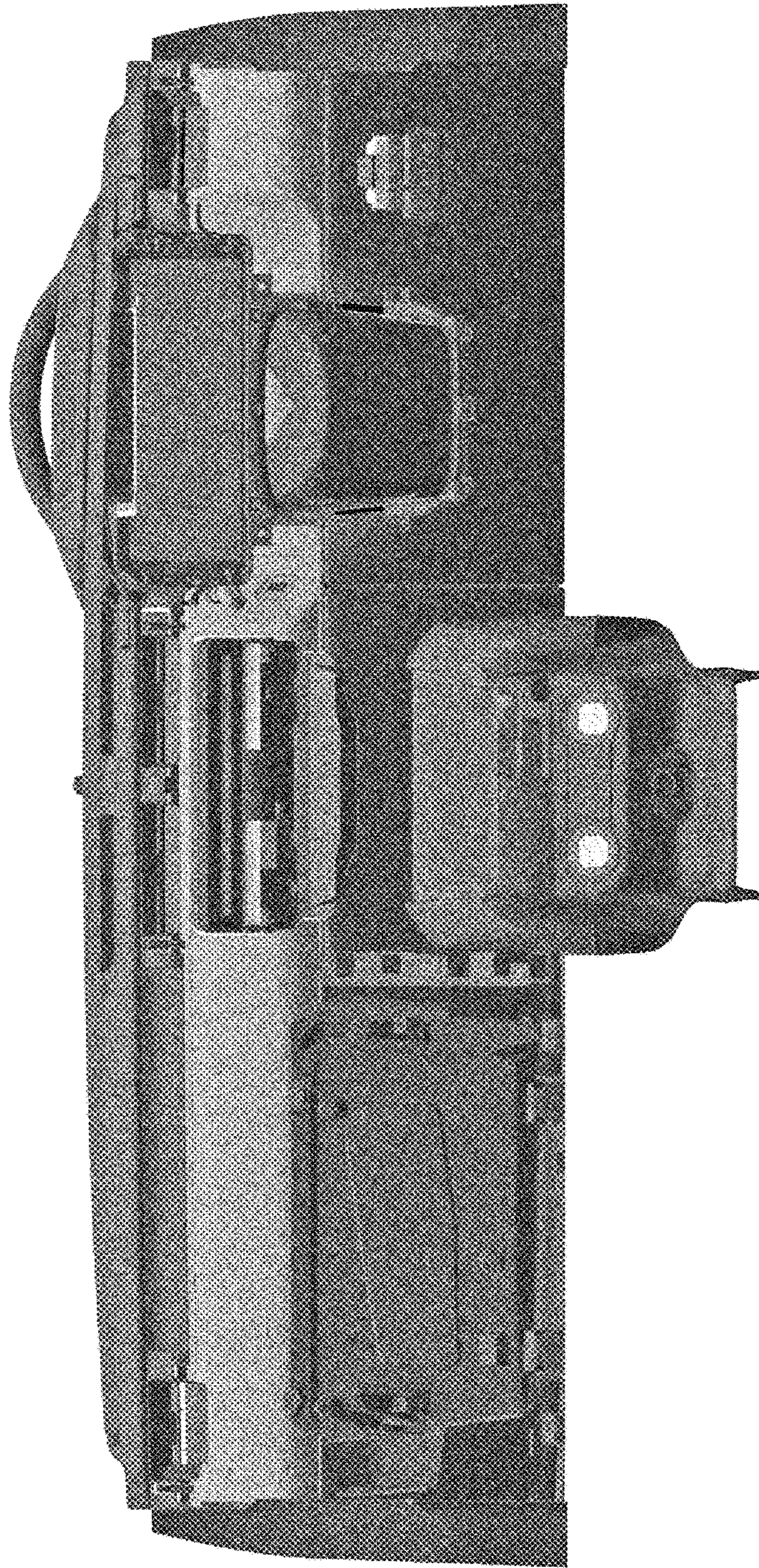


FIG. 7



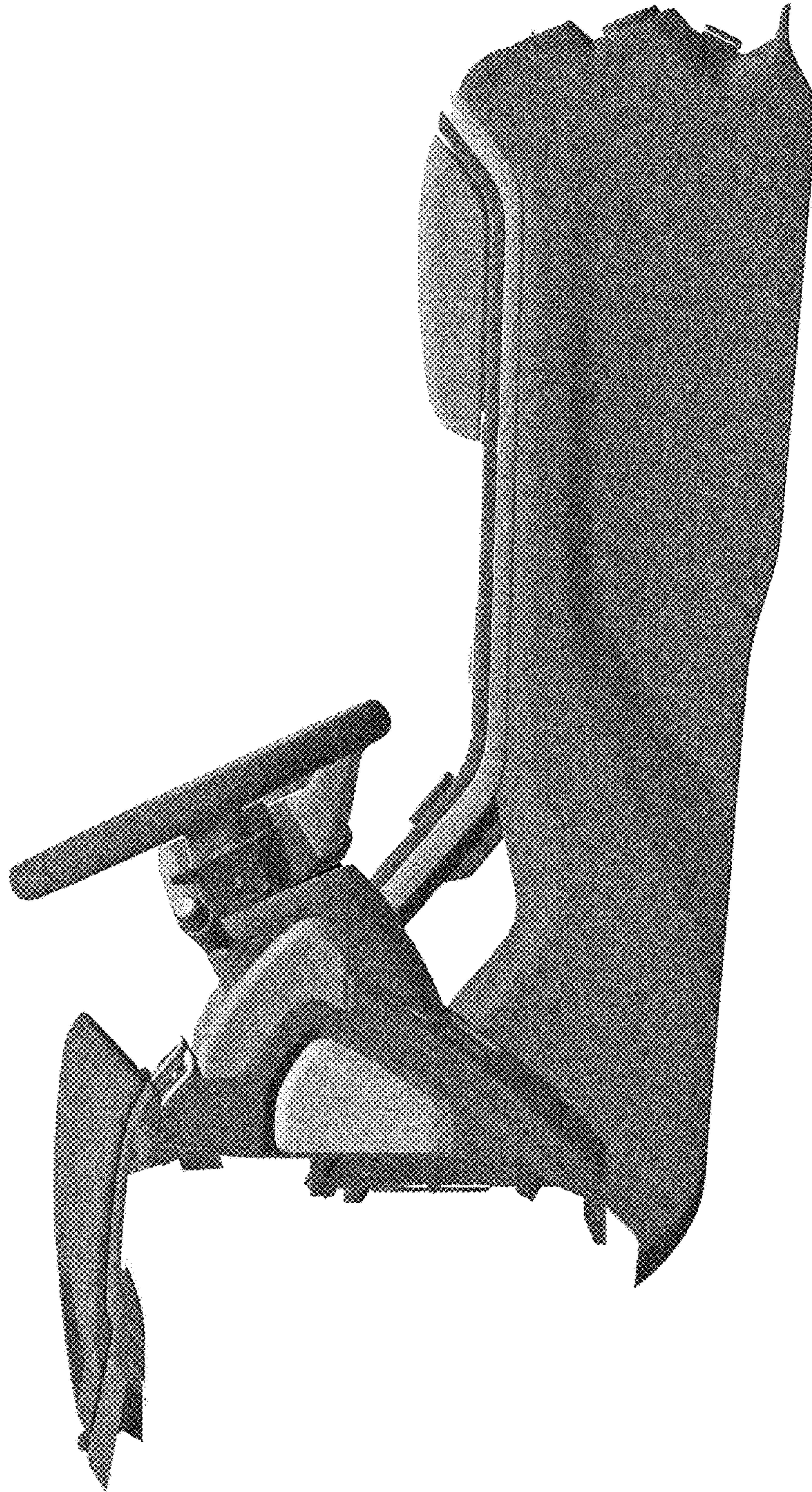


FIG. 8



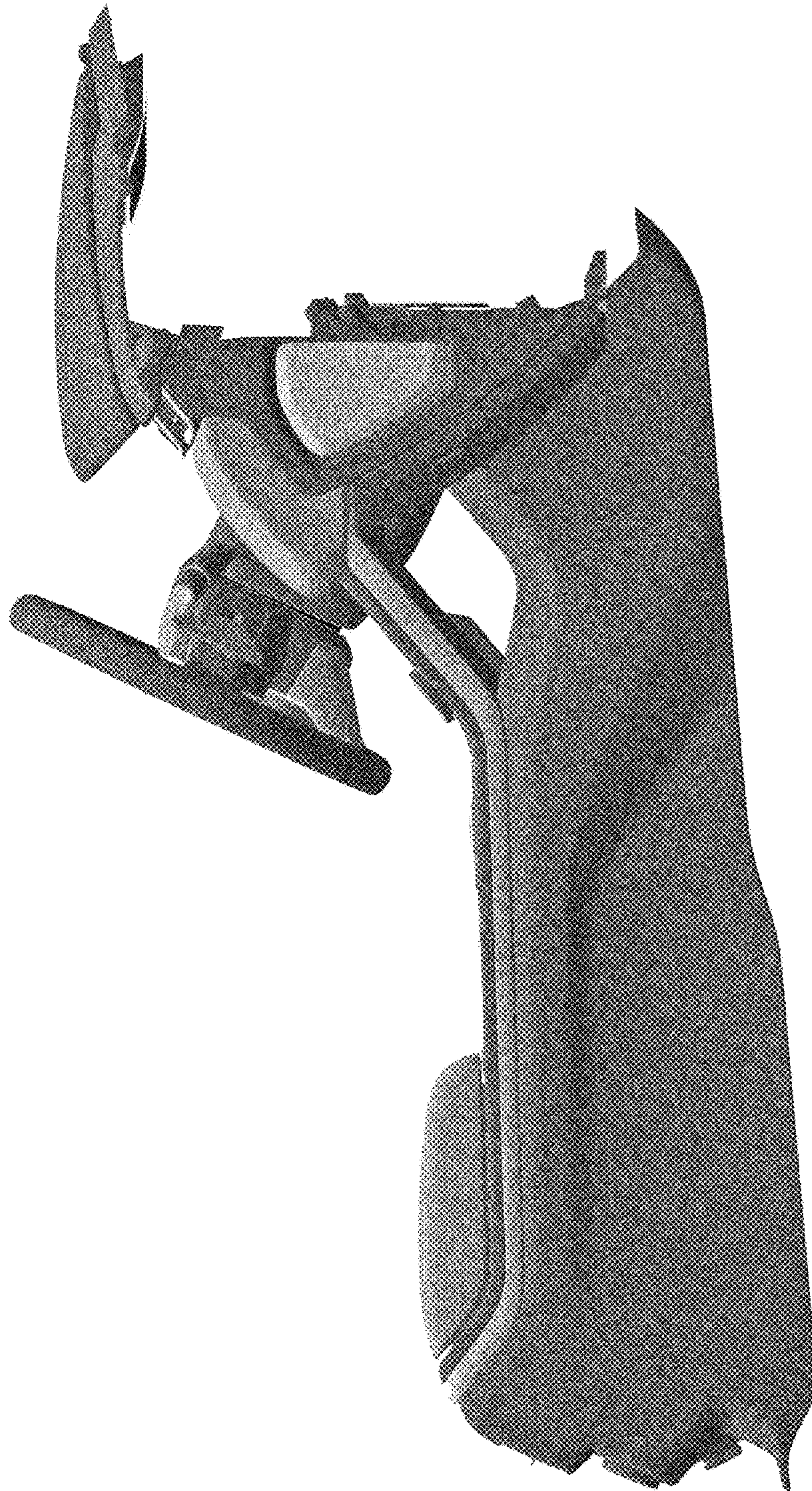


FIG. 9



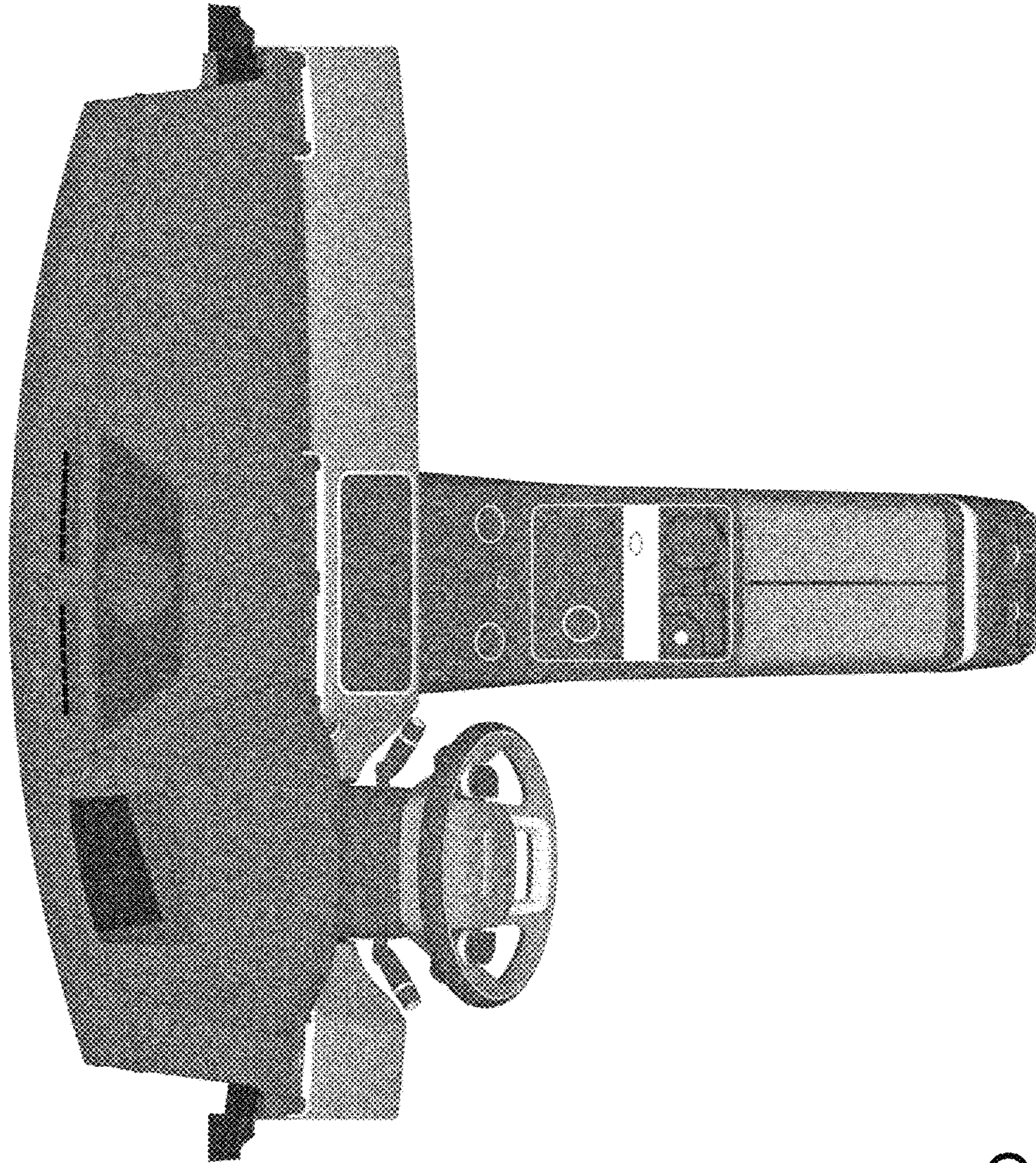


FIG. 10



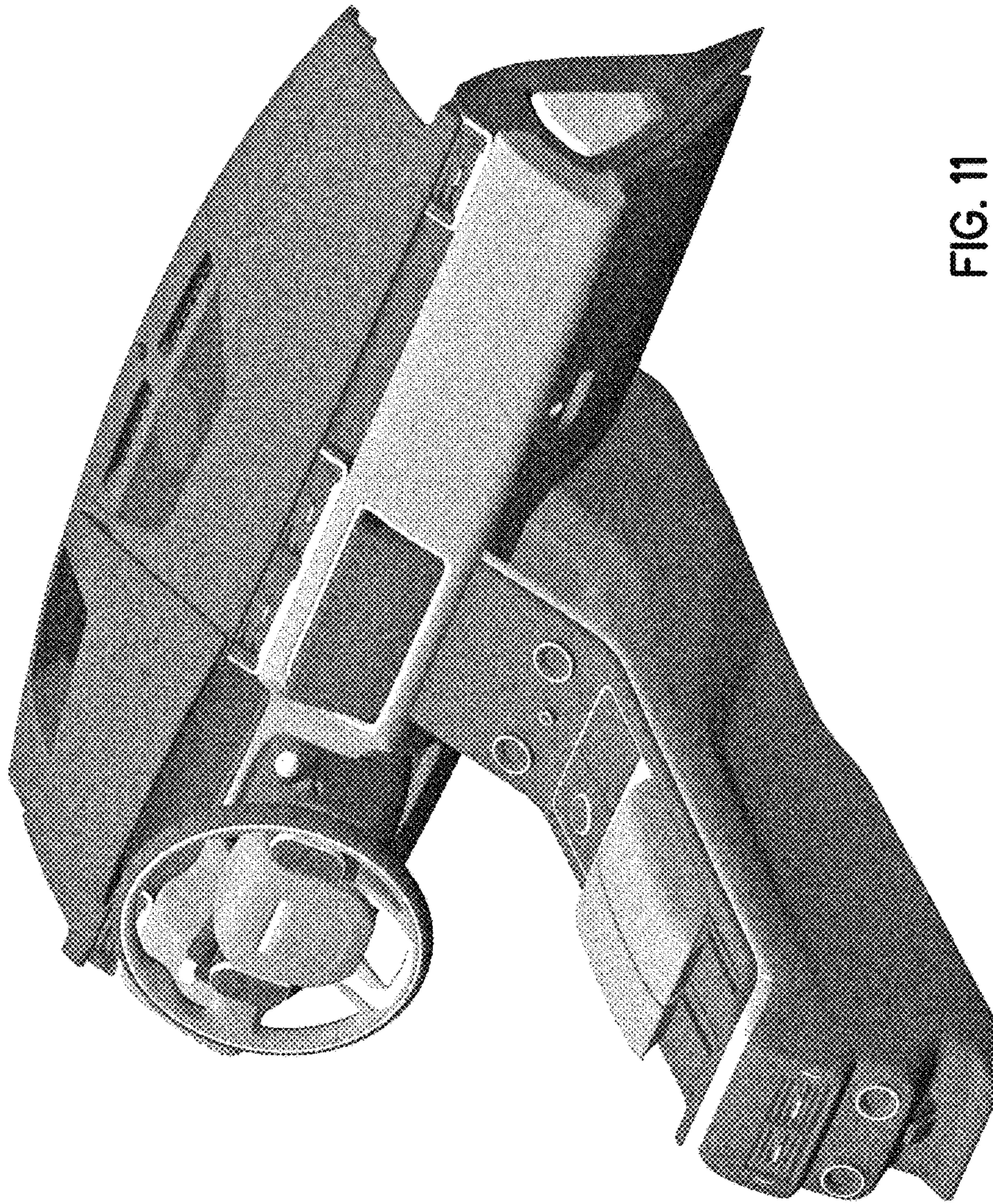


FIG. 11





FIG. 12