



US00D841539S

(12) **United States Design Patent** (10) **Patent No.:** **US D841,539 S**
Yamaji (45) **Date of Patent:** **** Feb. 26, 2019**

(54) **FRONT BUMPER FOR AN AUTOMOBILE**

(71) Applicant: **Masayuki Yamaji**, Miyoshi (JP)

(72) Inventor: **Masayuki Yamaji**, Miyoshi (JP)

(73) Assignee: **TOYOTA JIDOSHA KABUSHIKI KAISHA** (JP)

(**) Term: **15 Years**

(21) Appl. No.: **29/646,049**

(22) Filed: **May 1, 2018**

(30) **Foreign Application Priority Data**

Oct. 21, 2016 (JP) 2016-022900

(51) **LOC (11) Cl.** **12-16**

(52) **U.S. Cl.**
USPC **D12/169**

(58) **Field of Classification Search**
USPC D12/169, 102, 113, 115, 117, 120;
296/180.1, 180.2
CPC B60R 19/02; B60R 19/04; B62D 25/08
See application file for complete search history.

(56) **References Cited**

U.S. PATENT DOCUMENTS

| | | | | |
|--------------|---------|-----------|-------|---------|
| D666,129 S * | 8/2012 | Iida | | D12/163 |
| D671,036 S * | 11/2012 | Inatomi | | D12/92 |
| D671,458 S * | 11/2012 | Lee | | D12/92 |
| D672,695 S * | 12/2012 | Inatomi | | D12/164 |
| D679,635 S * | 4/2013 | Sugimoto | | D12/164 |
| D685,698 S * | 7/2013 | Takei | | D12/164 |
| D705,705 S * | 5/2014 | Matsumoto | | D12/169 |
| D706,180 S * | 6/2014 | Sakae | | D12/164 |
| D707,594 S * | 6/2014 | Matsumoto | | D12/169 |
| D715,195 S * | 10/2014 | Tomatsu | | D12/92 |
| D715,709 S * | 10/2014 | Matsumoto | | D12/169 |
| D716,699 S * | 11/2014 | Sakae | | D12/92 |
| D716,700 S * | 11/2014 | Matsumoto | | D12/92 |

| | | | | |
|--------------|---------|----------|-------|---------|
| D721,992 S * | 2/2015 | Takei | | D12/169 |
| D723,427 S * | 3/2015 | Takei | | D12/92 |
| D725,000 S * | 3/2015 | Hirai | | D12/92 |
| D733,012 S * | 6/2015 | Kim | | D12/164 |
| D733,621 S * | 7/2015 | Ikuma | | D12/169 |
| D735,079 S * | 7/2015 | Sperling | | D12/92 |
| D737,182 S * | 8/2015 | Takei | | D12/169 |
| D737,737 S * | 9/2015 | Kim | | D12/169 |
| D743,845 S * | 11/2015 | Hirai | | D12/92 |
| D748,021 S * | 1/2016 | Iwanaga | | D12/169 |
| D751,955 S * | 3/2016 | Takei | | D12/169 |

(Continued)

OTHER PUBLICATIONS

Netcarshow.com, Toyota, Lexus RX 350 (2016), <https://www.netcarshow.com/lexus/2016-rx_350/>, available as early as Sep. 12, 2016.

(Continued)

Primary Examiner — Melody N Brown
(74) *Attorney, Agent, or Firm* — Saidman DesignLaw Group, LLC

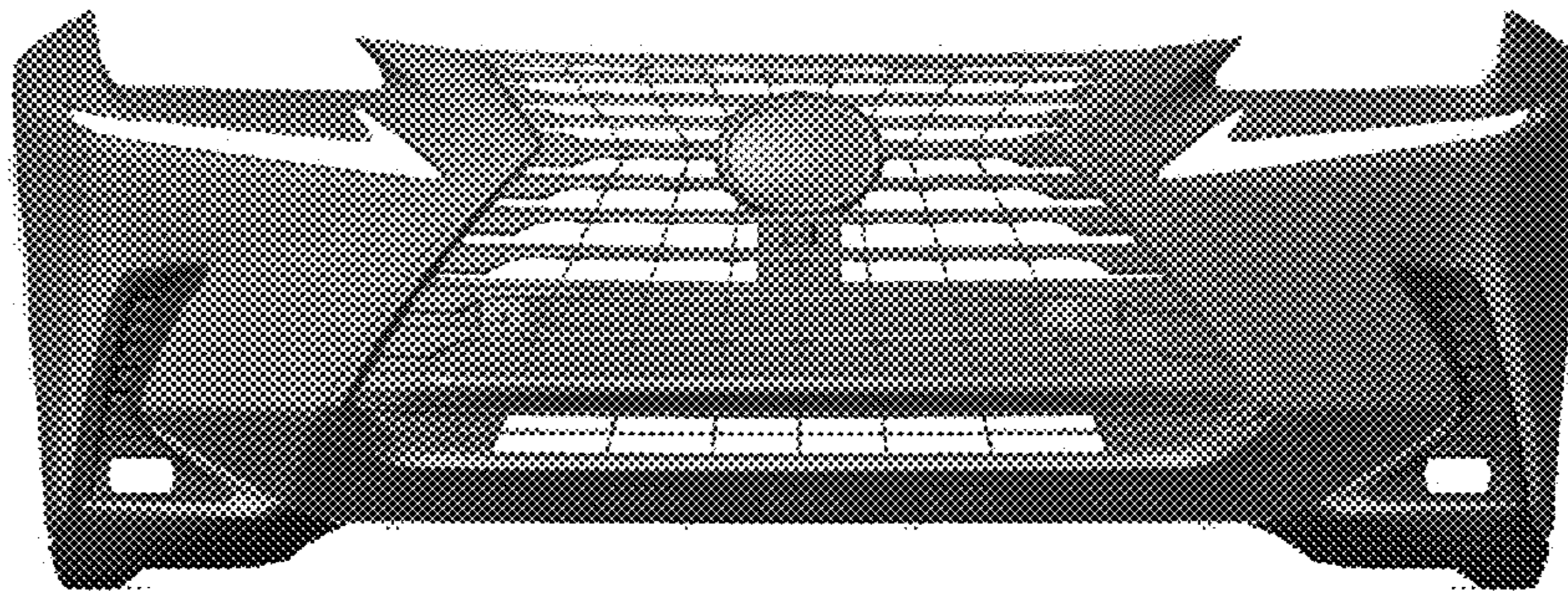
(57) **CLAIM**

The ornamental design for a front bumper for an automobile, as shown and described.

DESCRIPTION

FIG. 1 is a perspective view of a front bumper for an automobile showing my new design; FIG. 2 is a front view thereof; FIG. 3 is a rear view thereof; FIG. 4 is a top view thereof; FIG. 5 is a bottom view thereof; FIG. 6 is a right side view thereof; and, FIG. 7 is a left side view thereof. The claimed design is indicated by the relatively dark portions in the figures. The relatively light portions form no part of the claimed design.

1 Claim, 7 Drawing Sheets



(56)

References Cited

U.S. PATENT DOCUMENTS

| | | | | | | |
|----------|---|---|---------|------------|-------|---------|
| D751,956 | S | * | 3/2016 | Hirai | | D12/169 |
| D751,957 | S | * | 3/2016 | Tomatsu | | D12/169 |
| D751,958 | S | * | 3/2016 | Tomatsu | | D12/169 |
| D752,486 | S | * | 3/2016 | Sperling | | D12/169 |
| D754,577 | S | * | 4/2016 | Kubo | | D12/169 |
| D755,092 | S | * | 5/2016 | Isogai | | D12/164 |
| D775,011 | S | * | 12/2016 | Okue | | D12/169 |
| D780,647 | S | * | 3/2017 | Kanasugi | | D12/169 |
| D784,214 | S | * | 4/2017 | Kanasugi | | D12/169 |
| D800,032 | S | * | 10/2017 | Yokoi | | D12/169 |
| D800,033 | S | * | 10/2017 | Yokoi | | D12/169 |
| D813,735 | S | * | 3/2018 | Kanno | | D12/169 |
| D813,736 | S | * | 3/2018 | Jevremovic | | D12/169 |
| D823,740 | S | * | 7/2018 | Suga | | D12/169 |

OTHER PUBLICATIONS

Netcarshow.com, Audi, Audi e-tron Quattro Concept (2015), <https://www.netcarshow.com/audi/2015-e-tron_quattro_concept/>, available as early as Sep. 12, 2016.

Netcarshow.com, Toyota, Lexus NX (2015), <<https://www.netcarshow.com/lexus/2015-nx/>>, available as early as Sep. 12, 2016.

Netcarshow.com, Mercedes-Benz, Mercedes-Benz C43 AMD coupe (2017), <https://www.netcarshow.com/mercedes-benz/2017-c43_amg_4matic_coupe/>, available as early as Sep. 12, 2016.

Netcarshow.com, Audi, Audi S5 sportback (2017), <https://www.netcarshow.com/audi/2017-s5_sportback/>, available as early as Sep. 12, 2016.

* cited by examiner

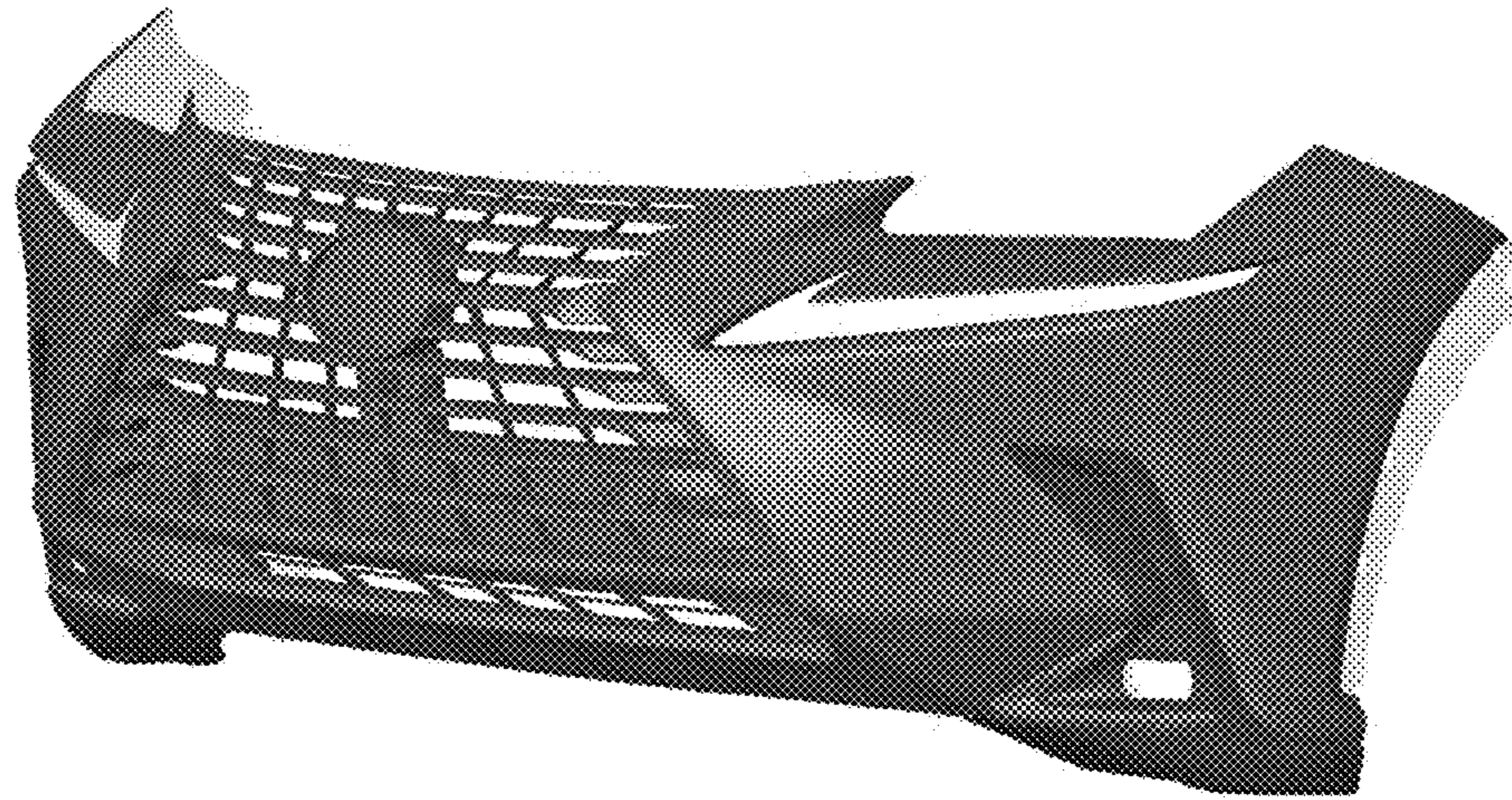


FIG. 1

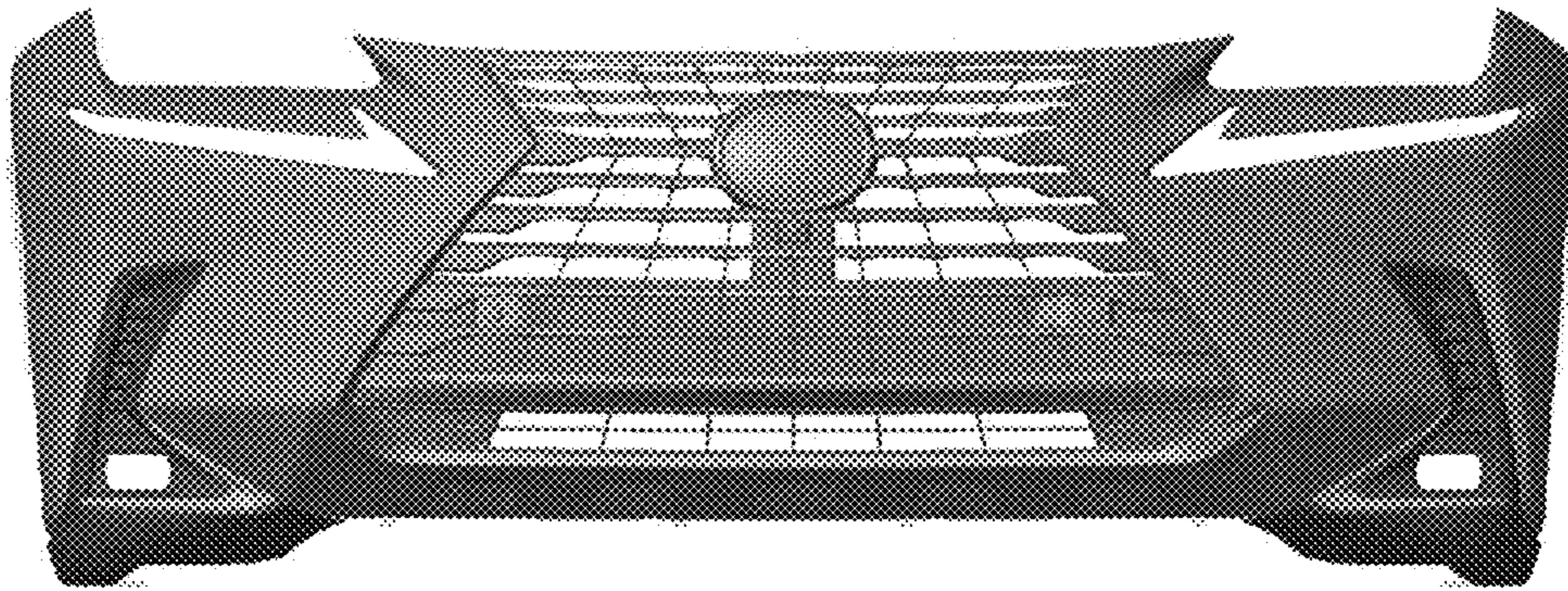


FIG. 2

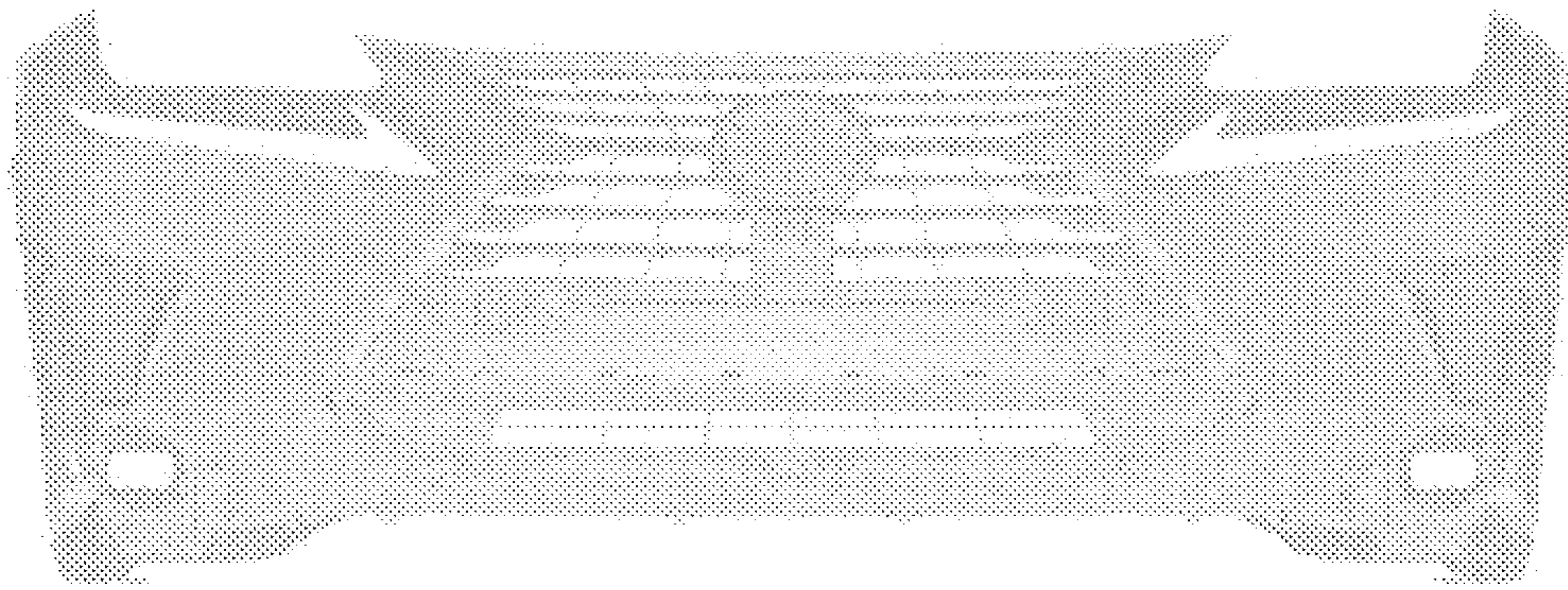


FIG. 3

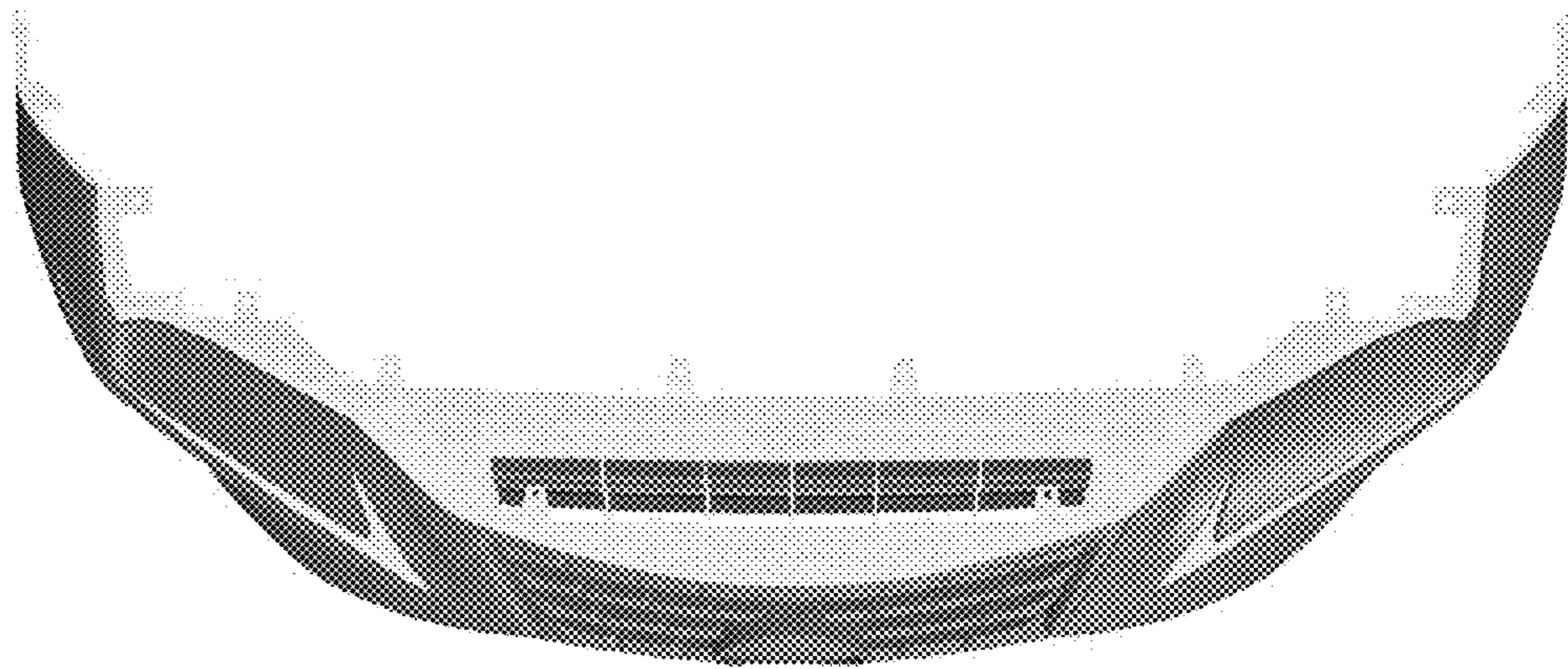


FIG. 4

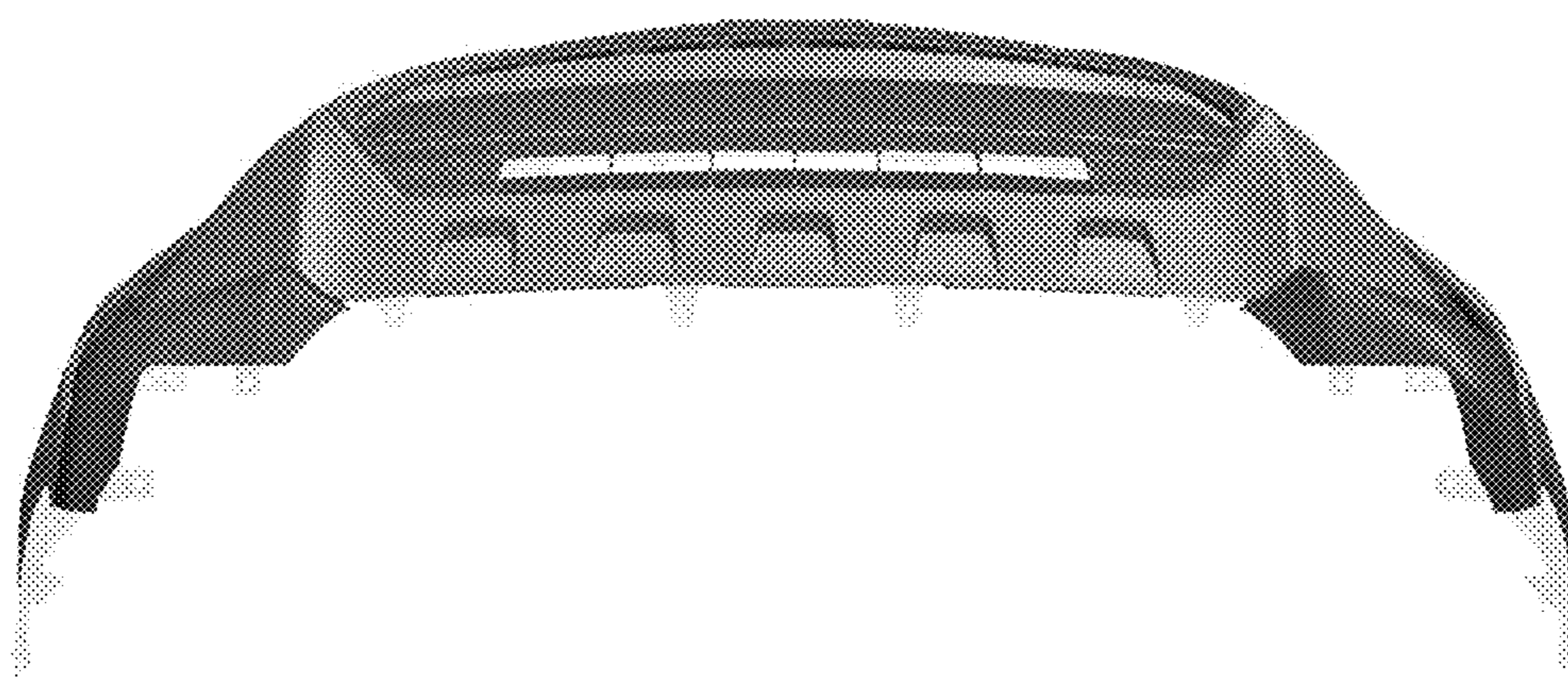


FIG. 5

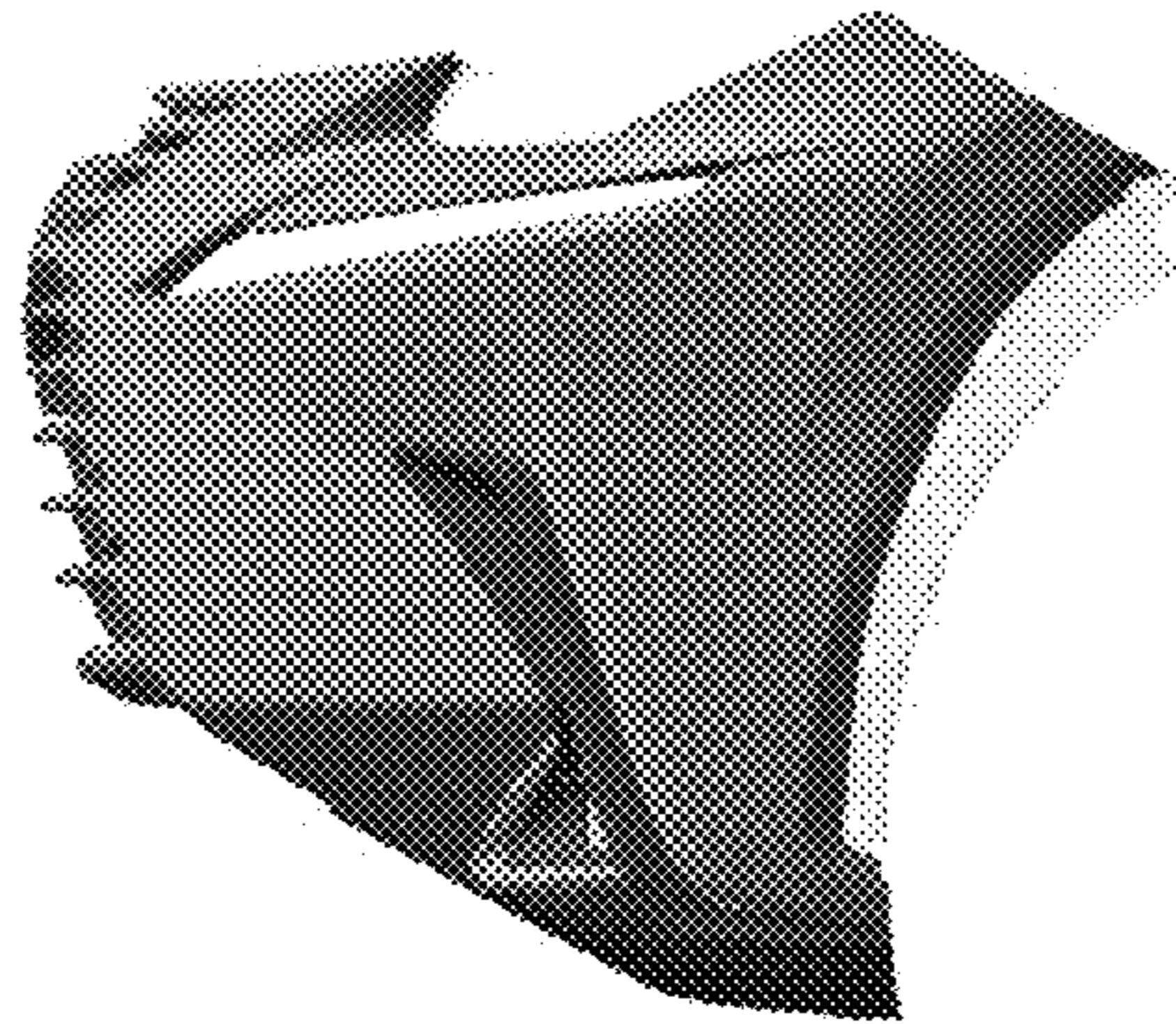


FIG. 6

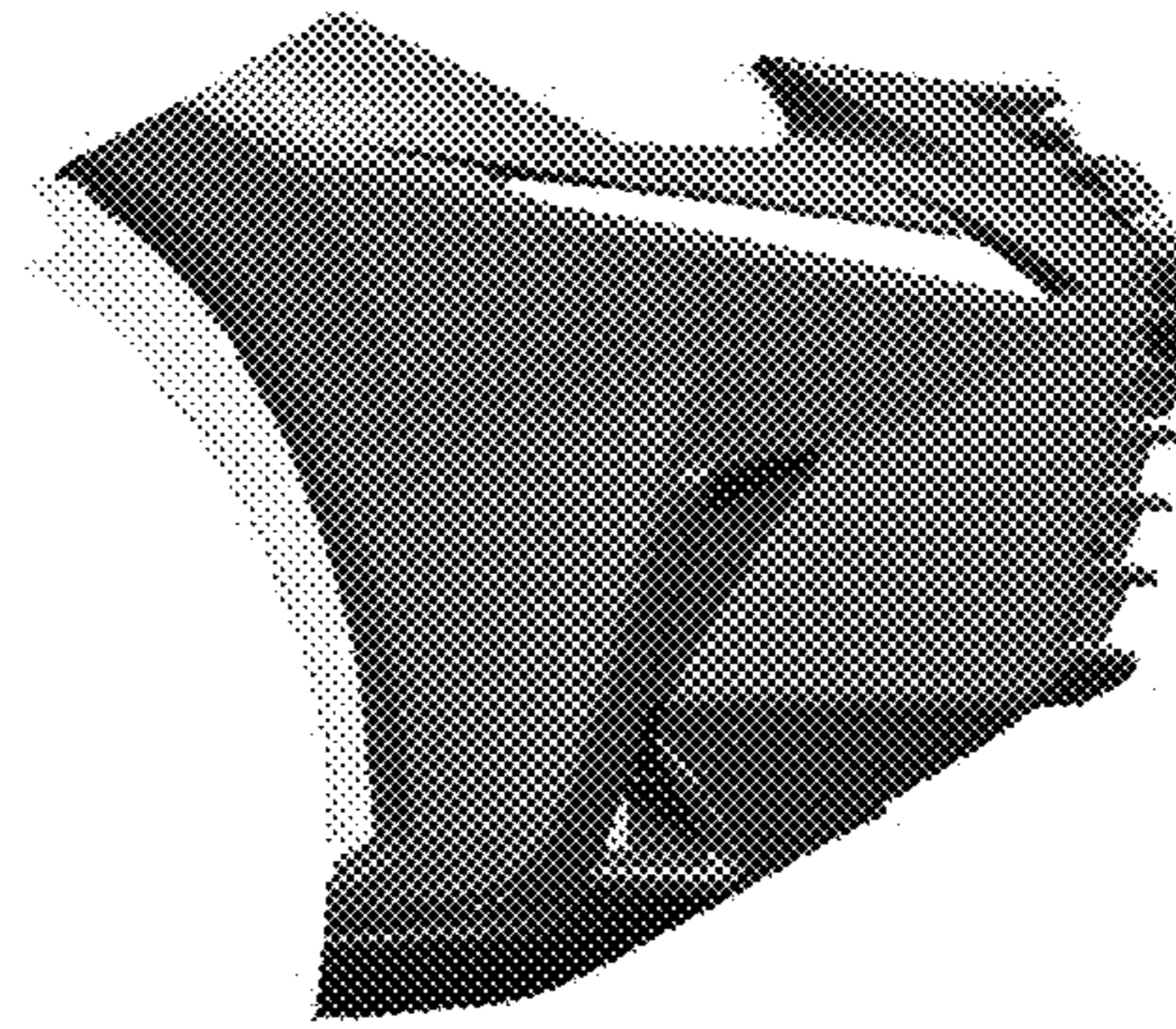


FIG. 7

UNITED STATES PATENT AND TRADEMARK OFFICE
CERTIFICATE OF CORRECTION

PATENT NO. : D841,539 S
APPLICATION NO. : 29/646049
DATED : February 26, 2019
INVENTOR(S) : Masayuki Yamaji

Page 1 of 1

It is certified that error appears in the above-identified patent and that said Letters Patent is hereby corrected as shown below:

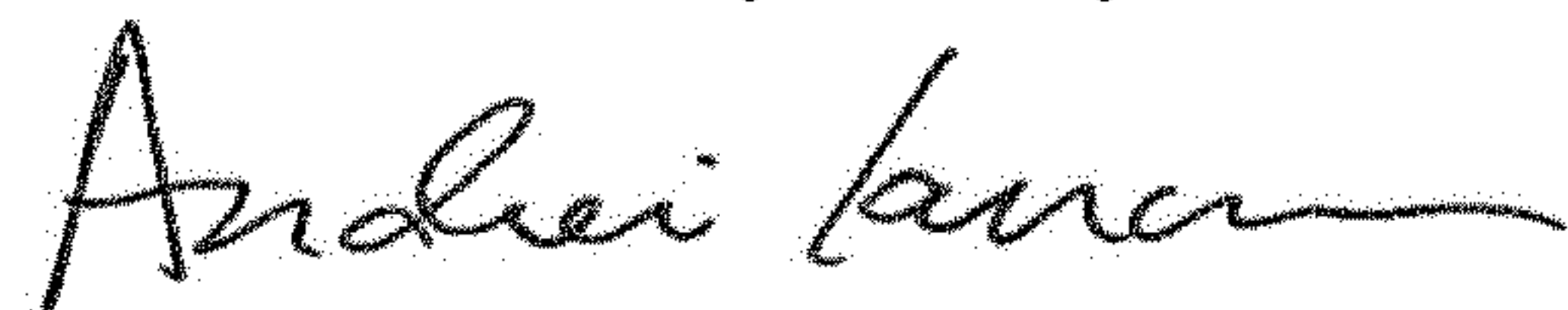
On the Title Page

Please insert:

--Related U.S. Application Data

(62) Division of Application No. 29/601,096, filed on Apr. 19, 2017, now Patent No. Des. 832,750.--

Signed and Sealed this
Thirtieth Day of July, 2019



Andrei Iancu
Director of the United States Patent and Trademark Office