



US00D841537S

(12) **United States Design Patent**
Morikawa

(10) **Patent No.:** **US D841,537 S**

(45) **Date of Patent:** **** Feb. 26, 2019**

(54) **REAR BUMPER FOR AN AUTOMOBILE**

(71) Applicant: **HONDA MOTOR CO., LTD.**, Tokyo (JP)

(72) Inventor: **Tetsuji Morikawa**, Saitama (JP)

(73) Assignee: **HONDA MOTOR CO., LTD.**, Tokyo (JP)

(**) Term: **15 Years**

(21) Appl. No.: **29/637,807**

(22) Filed: **Feb. 22, 2018**

(30) **Foreign Application Priority Data**

Aug. 31, 2017 (JP) 2017-018786

(51) **LOC (11) Cl.** **12-16**

(52) **U.S. Cl.**
USPC **D12/169**

(58) **Field of Classification Search**
USPC D12/169, 102, 113, 115, 117, 120;
296/180.1, 180.2

CPC B60R 19/02; B60R 19/04; B62D 25/08
See application file for complete search history.

(56) **References Cited**

U.S. PATENT DOCUMENTS

D725,010 S * 3/2015 Takei D12/169
D782,373 S * 3/2017 Curic D12/169

D792,291 S * 7/2017 Suga D12/169
D800,034 S * 10/2017 Kojima D12/169
D802,500 S * 11/2017 Han D12/169
D824,817 S * 8/2018 Morikawa D12/169
D824,818 S * 8/2018 Morikawa D12/169
D826,113 S * 8/2018 Kanai D12/169

* cited by examiner

Primary Examiner — Melody N Brown

(74) *Attorney, Agent, or Firm* — Westerman, Hattori, Daniels & Adrian, LLP

(57) **CLAIM**

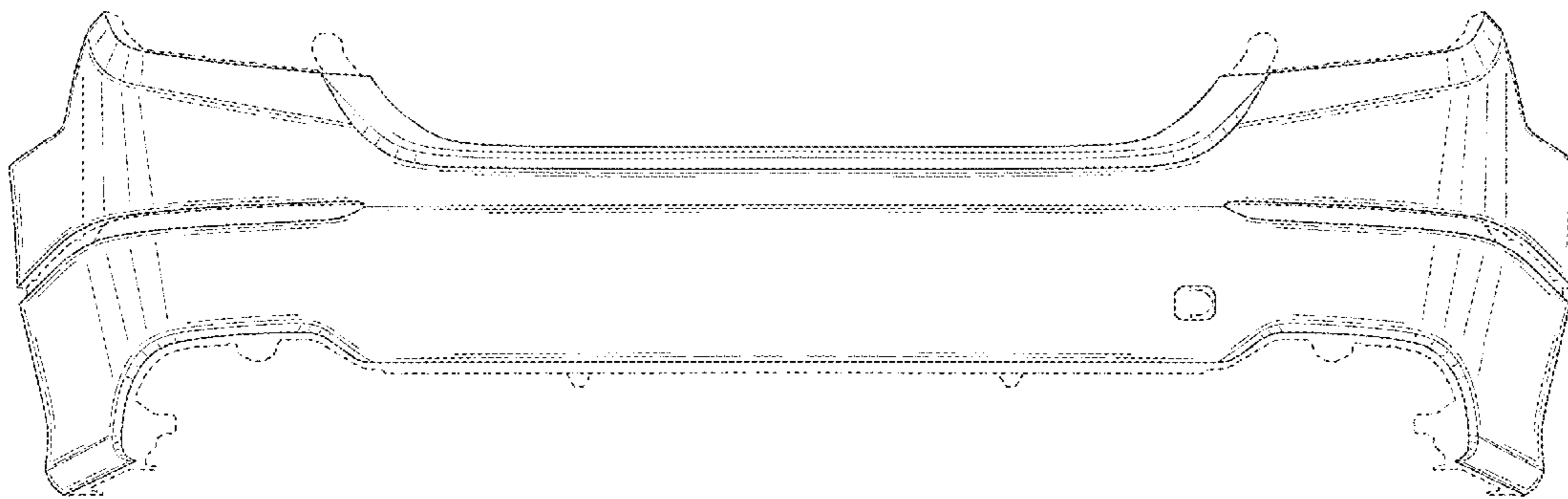
The ornamental design for a rear bumper for an automobile, as shown and described.

DESCRIPTION

FIG. 1 is a front and left side perspective view of a rear bumper for an automobile showing my new design;
FIG. 2 is a front view thereof;
FIG. 3 is a top plan view thereof;
FIG. 4 is a left side view thereof; and,
FIG. 5 is a right side view thereof.

The broken lines in the drawings illustrate portions of the rear bumper for an automobile that form no part of the claimed design.

1 Claim, 5 Drawing Sheets



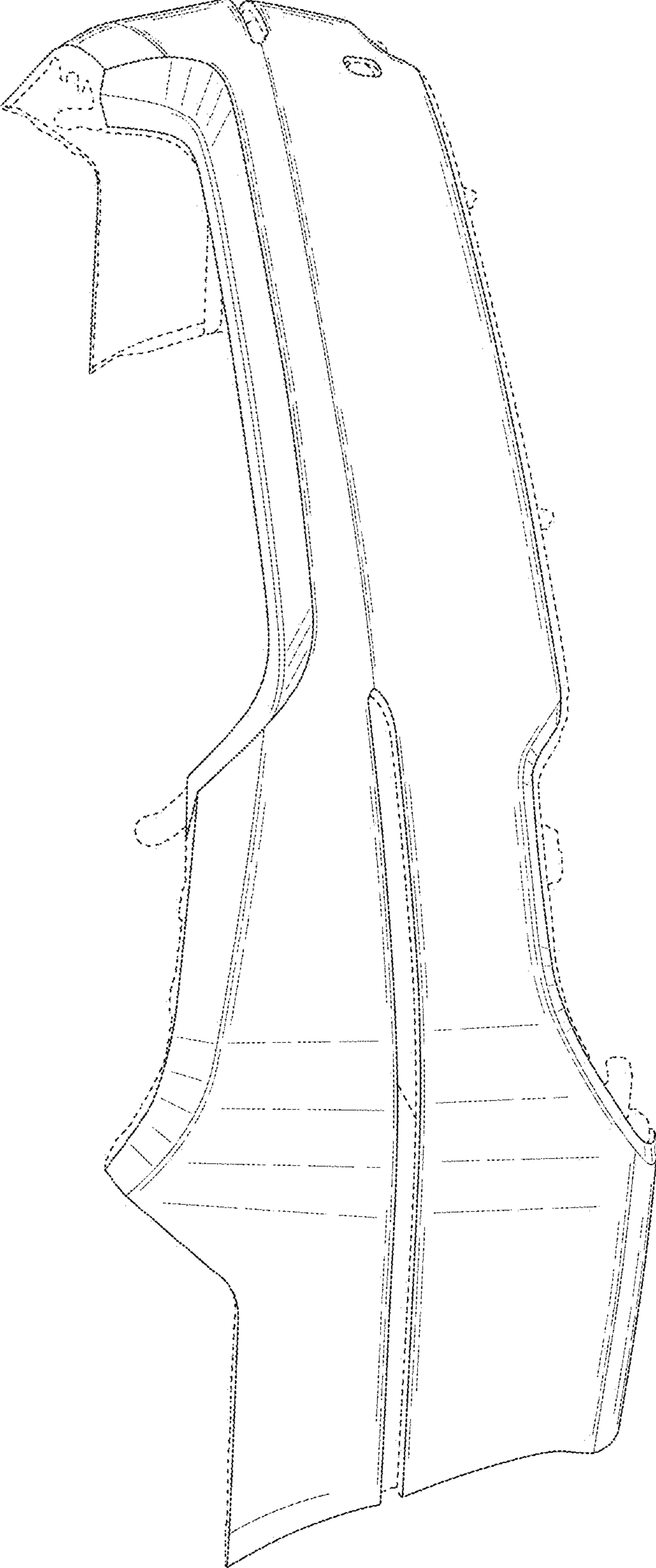


FIG.1

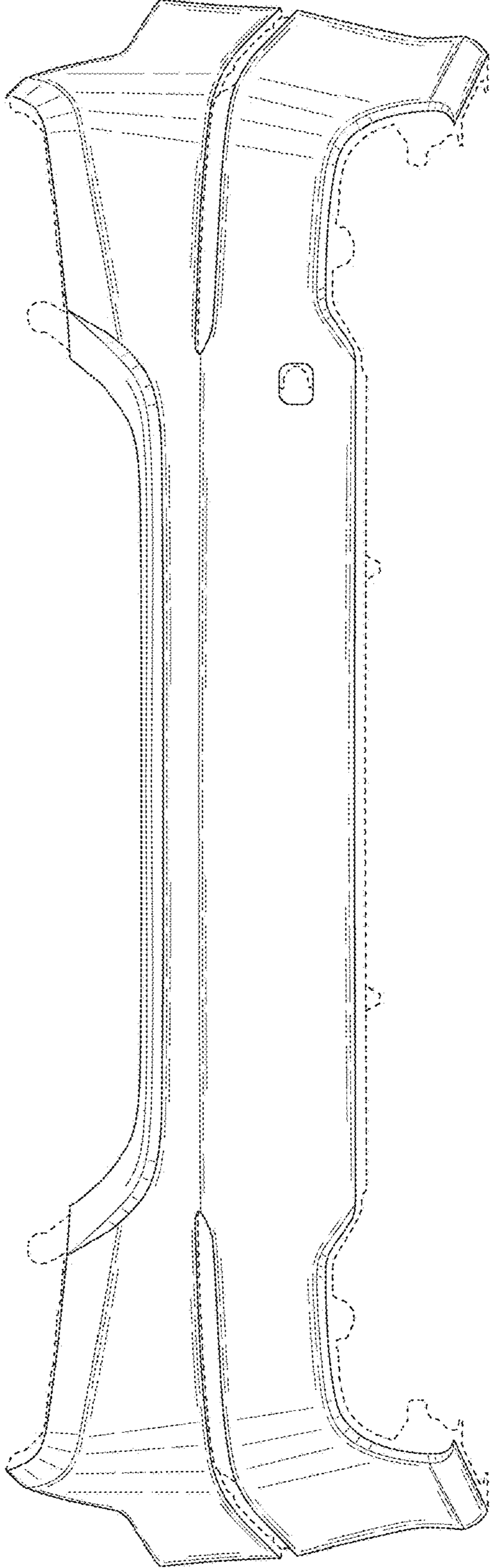


FIG.2

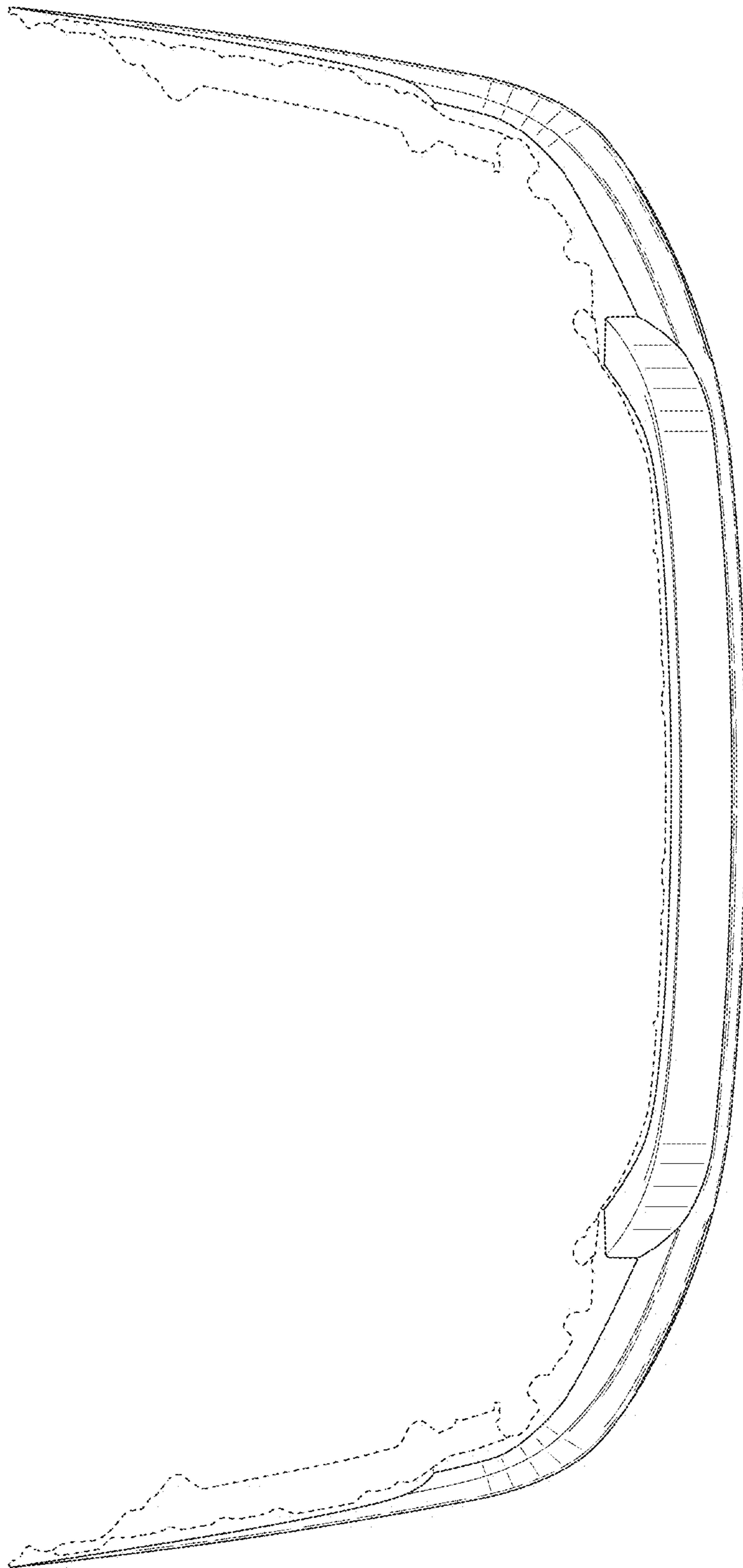


FIG.3

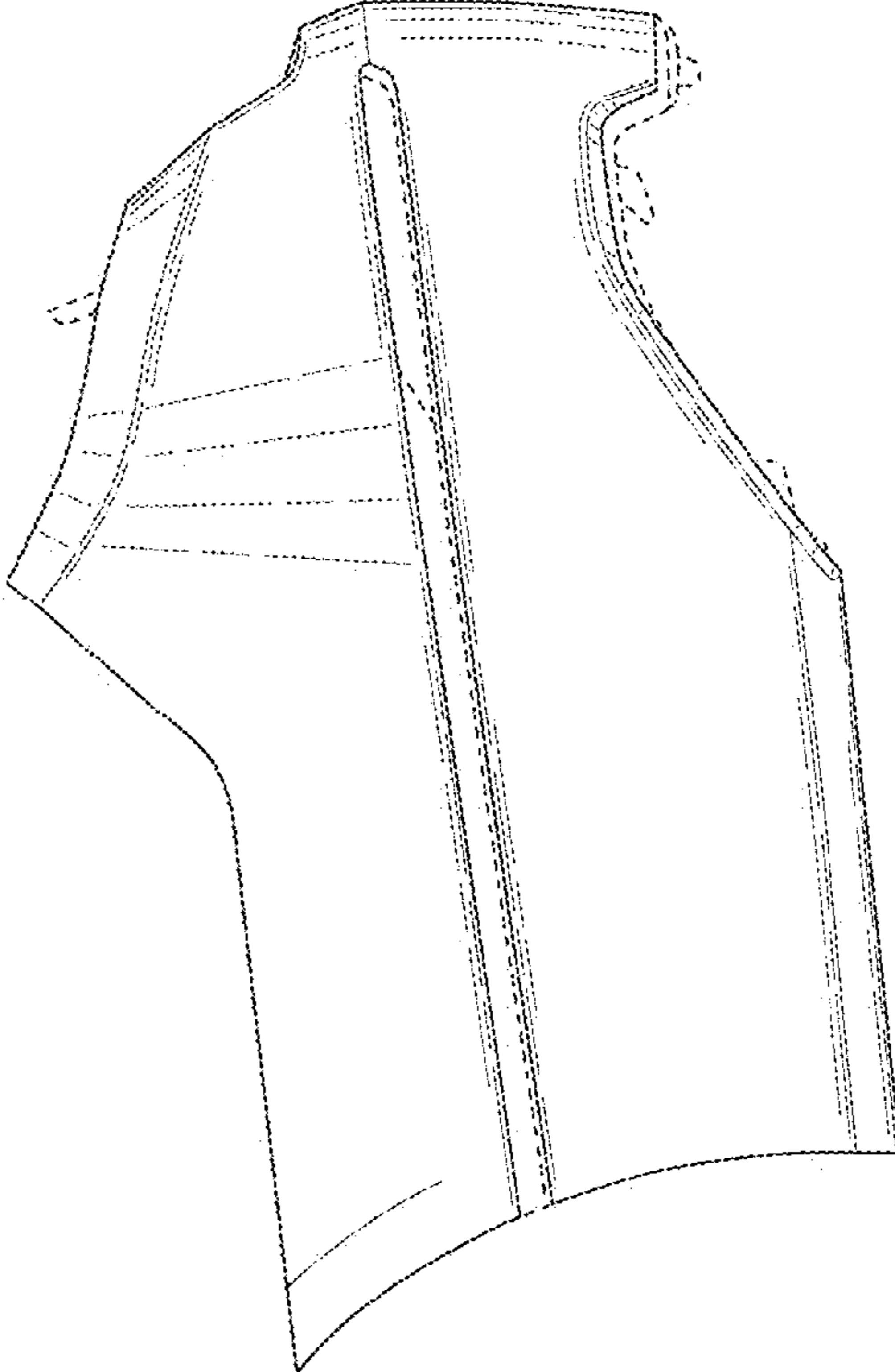


FIG.4

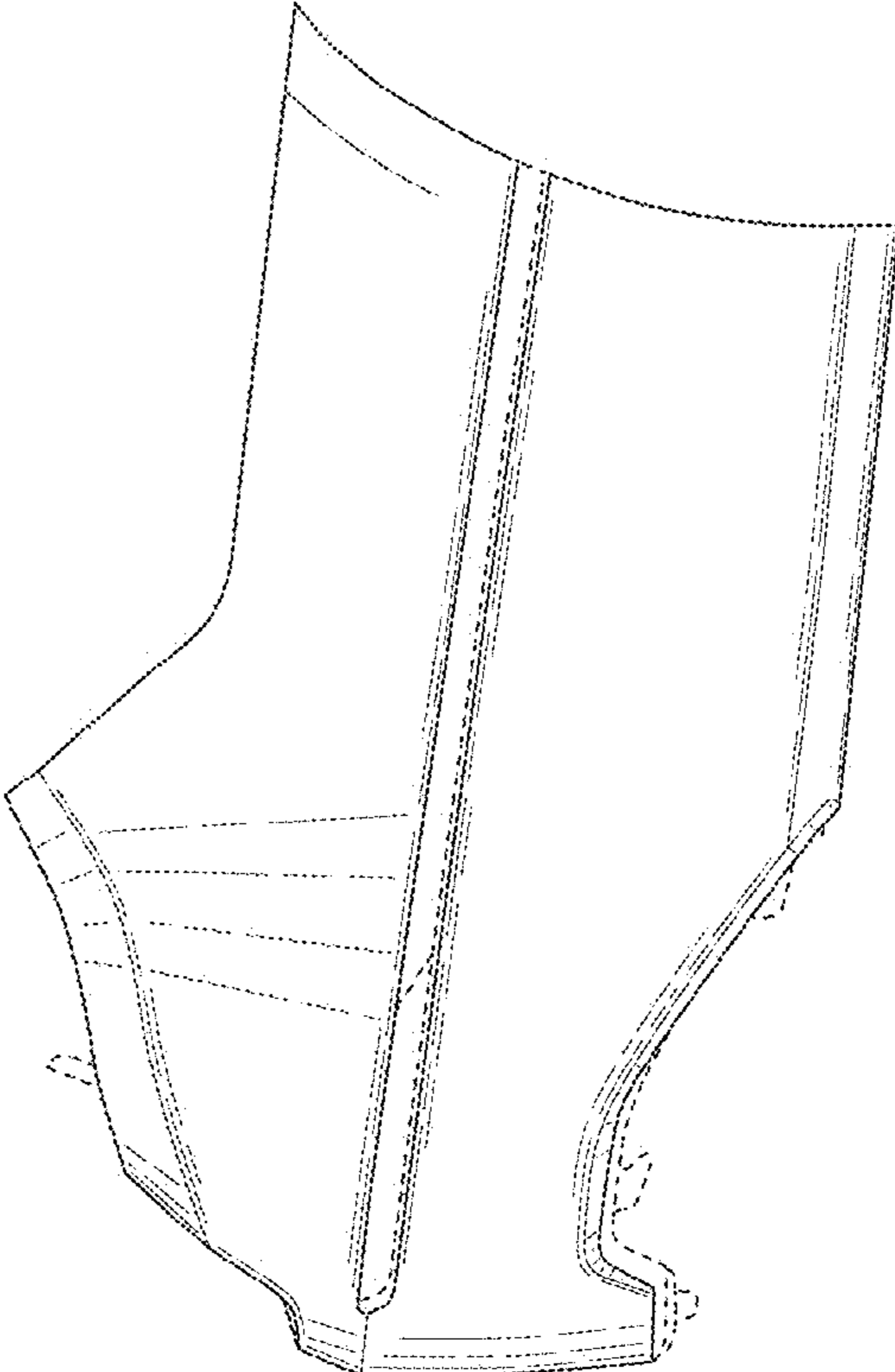


FIG.5