



US00D841531S

(12) **United States Design Patent** (10) **Patent No.:** **US D841,531 S**
Munakata et al. (45) **Date of Patent:** **** Feb. 26, 2019**

- (54) **REAR BUMPER FOR AUTOMOBILE**
- (71) Applicant: **Nissan Motor Co., Ltd.**, Yokohama, Kanagawa (JP)
- (72) Inventors: **Kenichi Munakata**, Tokyo (JP); **Shinichi Nakagawa**, Kanagawa (JP)
- (73) Assignee: **Nissan Motor Co., Ltd.**, Yokohama (JP)
- (**) Term: **15 Years**
- (21) Appl. No.: **29/602,097**
- (22) Filed: **Apr. 28, 2017**
- (30) **Foreign Application Priority Data**
Oct. 31, 2016 (JP) 2016-023723
- (51) **LOC (11) Cl.** **12-16**
- (52) **U.S. Cl.**
USPC **D12/169**
- (58) **Field of Classification Search**
USPC D12/173, 169, 92, 163, 86, 90-91, 171, D12/196, 216
CPC B60R 19/02; B60R 19/04; B62D 25/08
See application file for complete search history.

- (56) **References Cited**
U.S. PATENT DOCUMENTS
D486,423 S * 2/2004 Ikeda D12/92
D543,911 S * 6/2007 Golden D12/169
D633,419 S * 3/2011 Peltola D12/169
D637,535 S * 5/2011 Yukawa D12/169
D641,665 S * 7/2011 Larson D12/92
D686,536 S * 7/2013 McCabe D12/92
D704,101 S * 5/2014 Beaven D12/92
D705,131 S * 5/2014 Larson D12/92
D713,766 S * 9/2014 Katou D12/169
D718,678 S * 12/2014 Ishizuka D12/169

- D749,471 S * 2/2016 Nakahara D12/169
- D754,576 S * 4/2016 Nissl D12/169
- D773,352 S * 12/2016 Munakata D12/169
- D773,353 S * 12/2016 Munakata D12/169
- D780,076 S * 2/2017 Peat D12/164
- D784,866 S * 4/2017 Hill B60R 19/18
D12/169
- D787,375 S * 5/2017 Curic D12/92
- D797,617 S * 9/2017 Mori D12/169
- D800,034 S * 10/2017 Kojima D12/169
- D813,114 S * 3/2018 Zurian D12/169
- D823,731 S * 7/2018 Kim D12/92
- D824,301 S * 7/2018 Lim D12/169
- D825,389 S * 8/2018 Pi D12/92
- 2014/0292006 A1 * 10/2014 Francis B60R 19/18
293/107

* cited by examiner

Primary Examiner — Robin V Webster
Assistant Examiner — Rachel A Voorhies

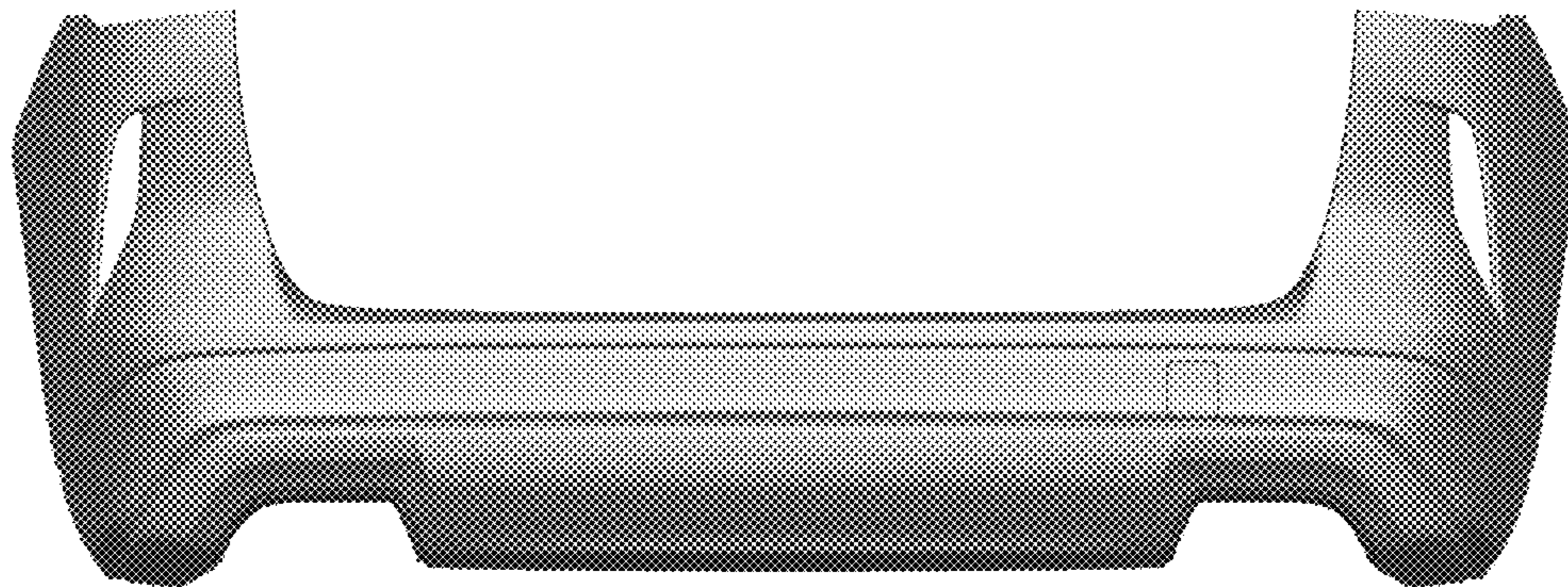
(57) **CLAIM**

The ornamental design for a rear bumper for automobile, as shown and described.

DESCRIPTION

FIG. 1 is a front elevational view of a rear bumper for an automobile in accordance with our new design;
FIG. 2 is a top plan view thereof;
FIG. 3 is a bottom plan view thereof;
FIG. 4 is a left side elevational view thereof;
FIG. 5 is a right side elevational view thereof;
FIG. 6 is a bottom left perspective view thereof; and,
FIG. 7 is a right perspective view thereof.
The rear view of the rear bumper forms no part of the claimed design. In addition, the rear bumper is configured to be mounted to an automobile. The inside surfaces of the rear bumper, shown in broken lines in FIGS. 2, 3, 6 and 7, form no part of the claimed design since the inside surfaces are hidden when the rear bumper is mounted to the automobile.

1 Claim, 7 Drawing Sheets



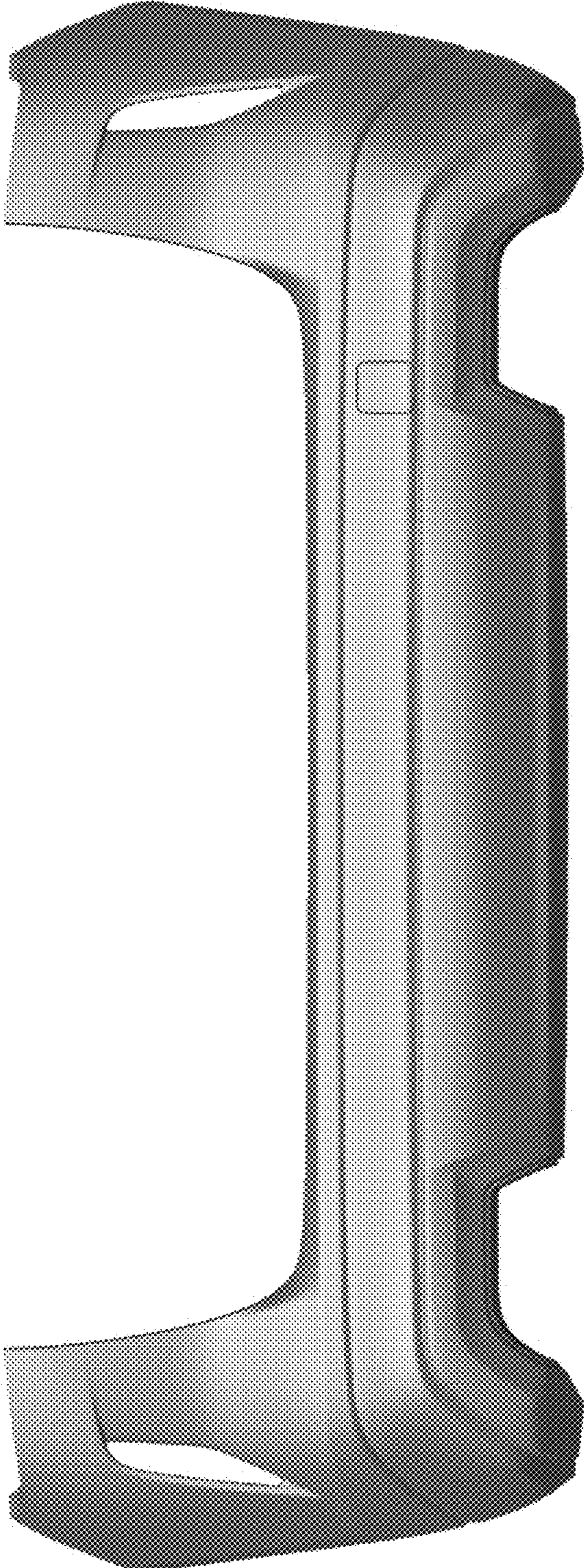


FIG. 1

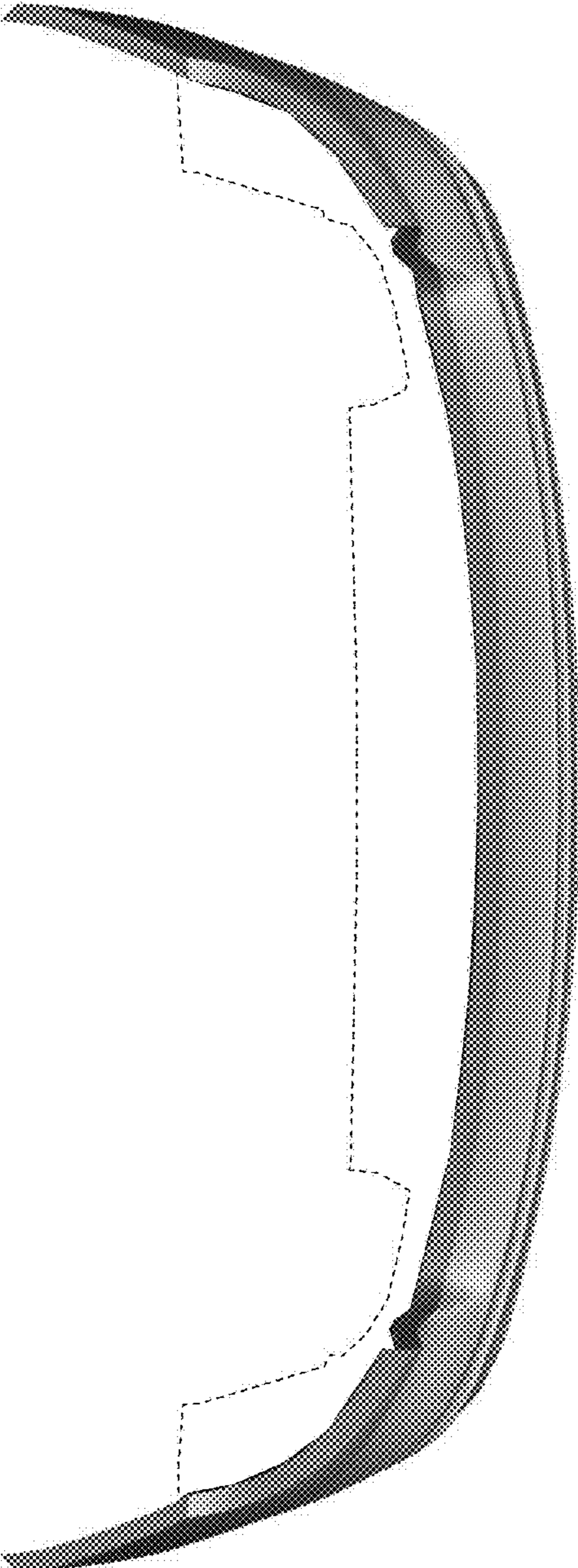


FIG. 2

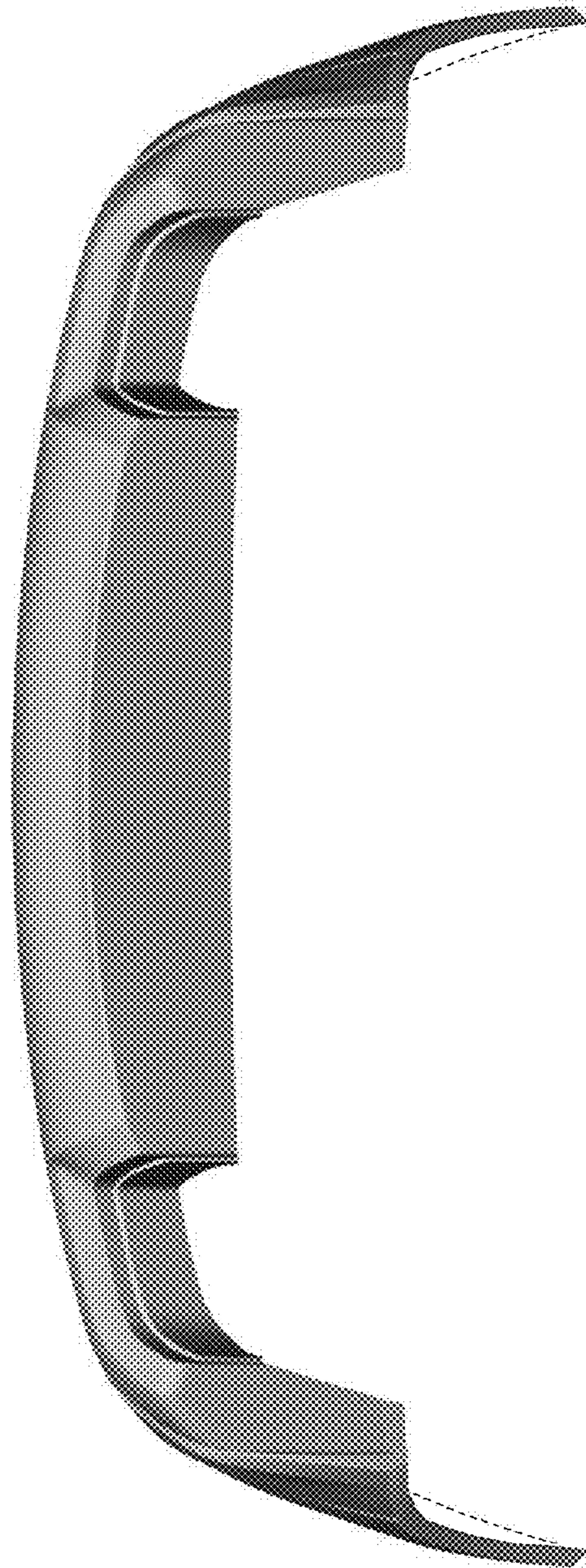


FIG. 3

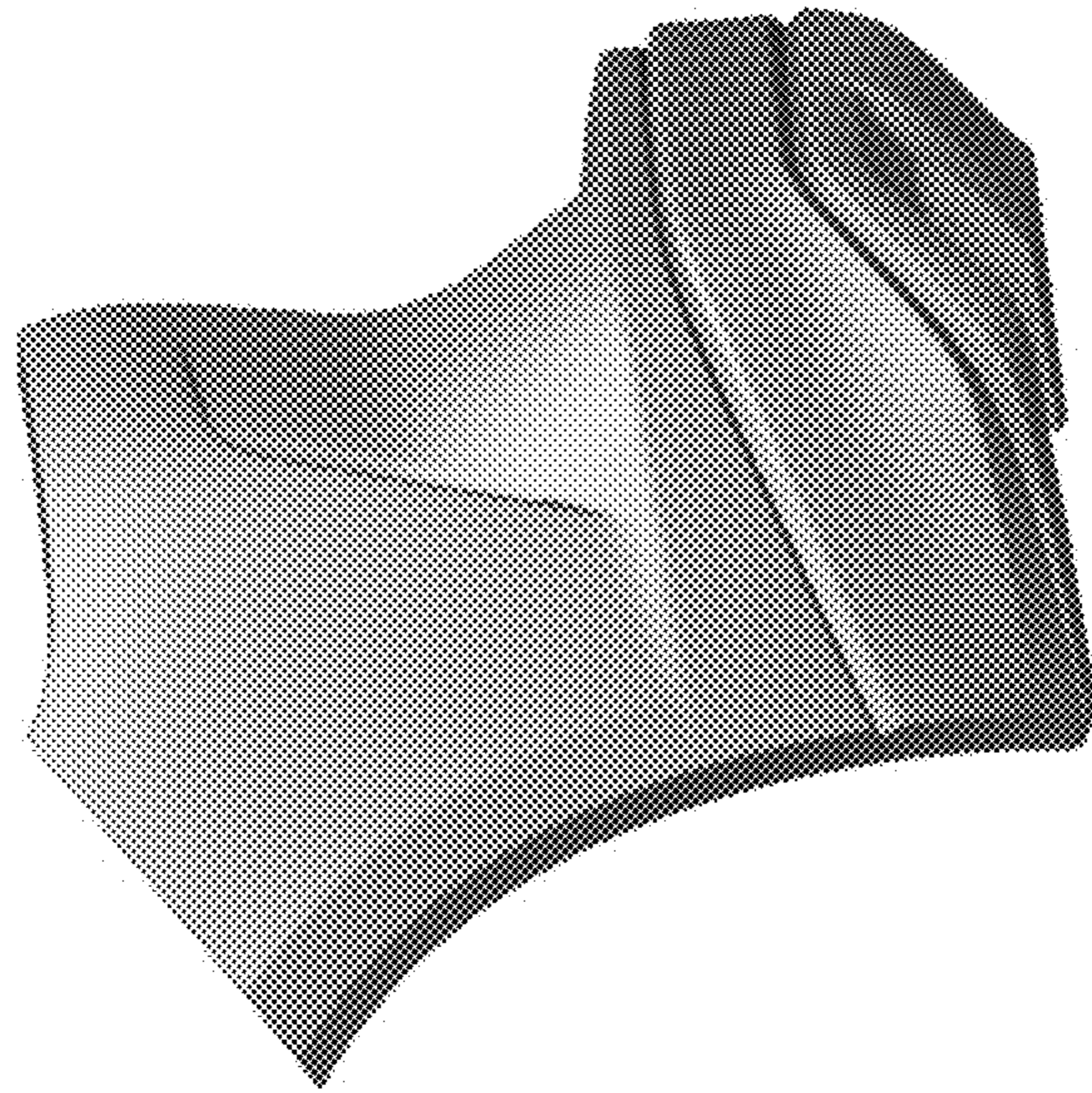


FIG. 4

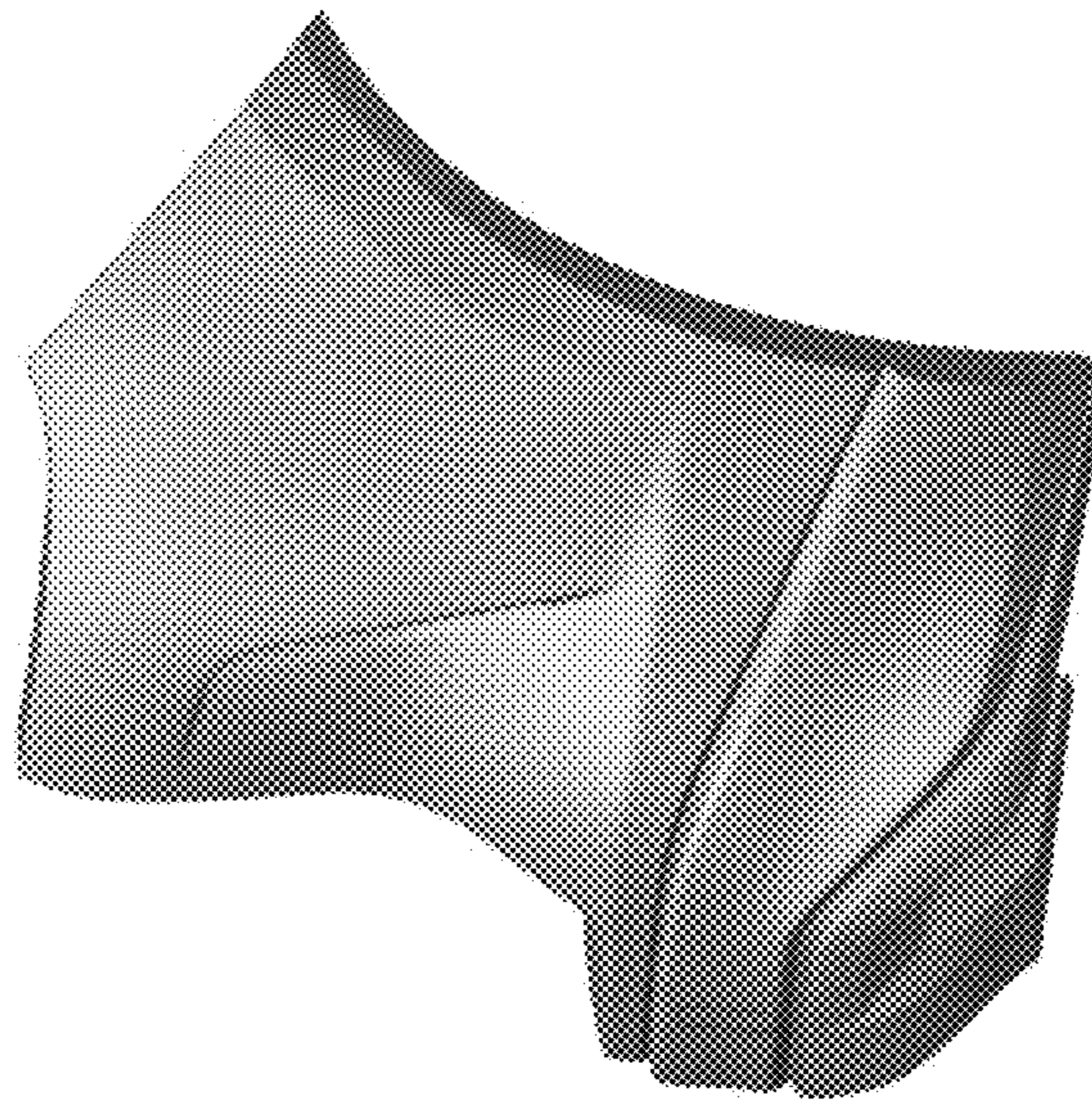


FIG. 5

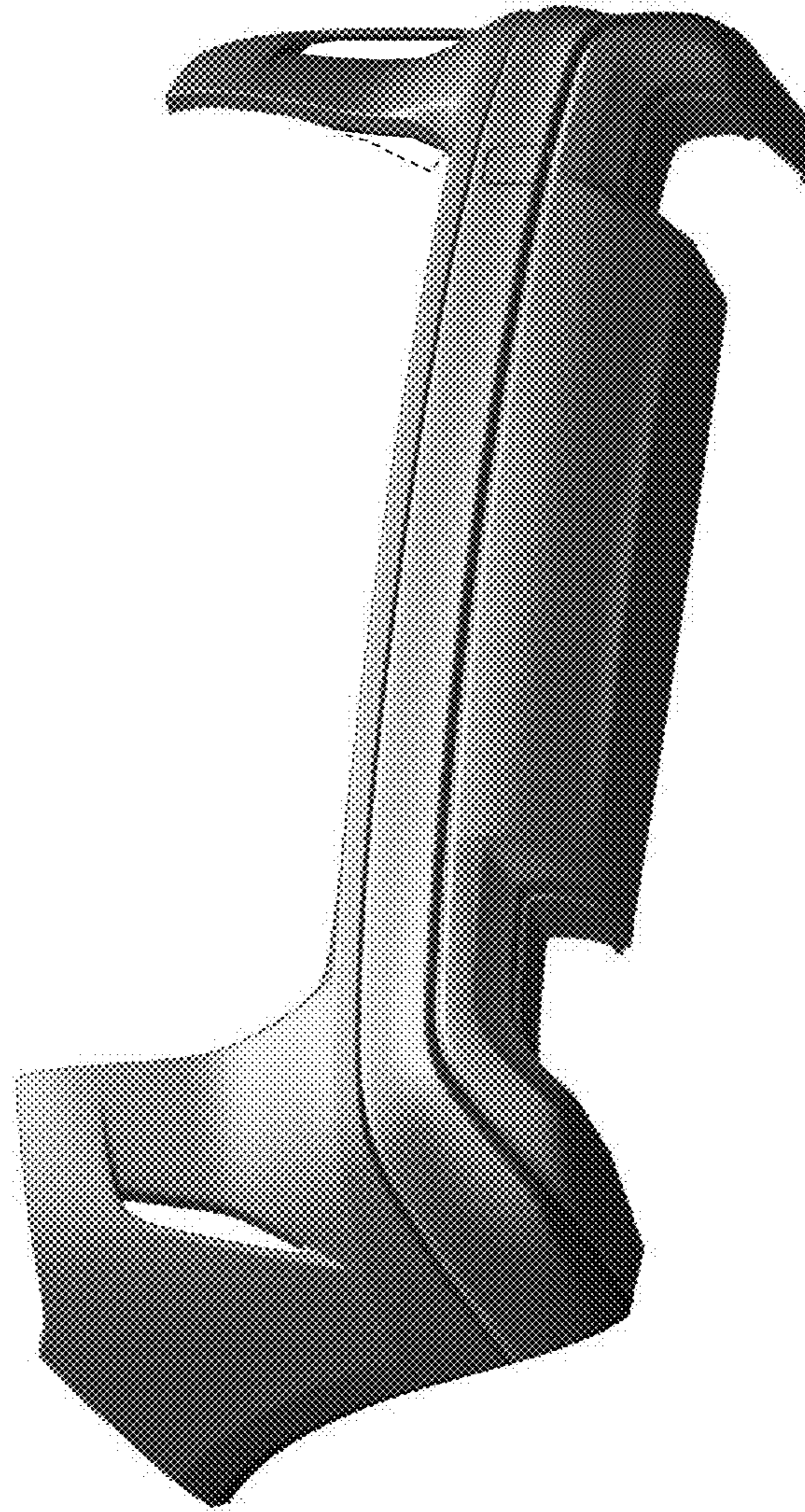


FIG. 6

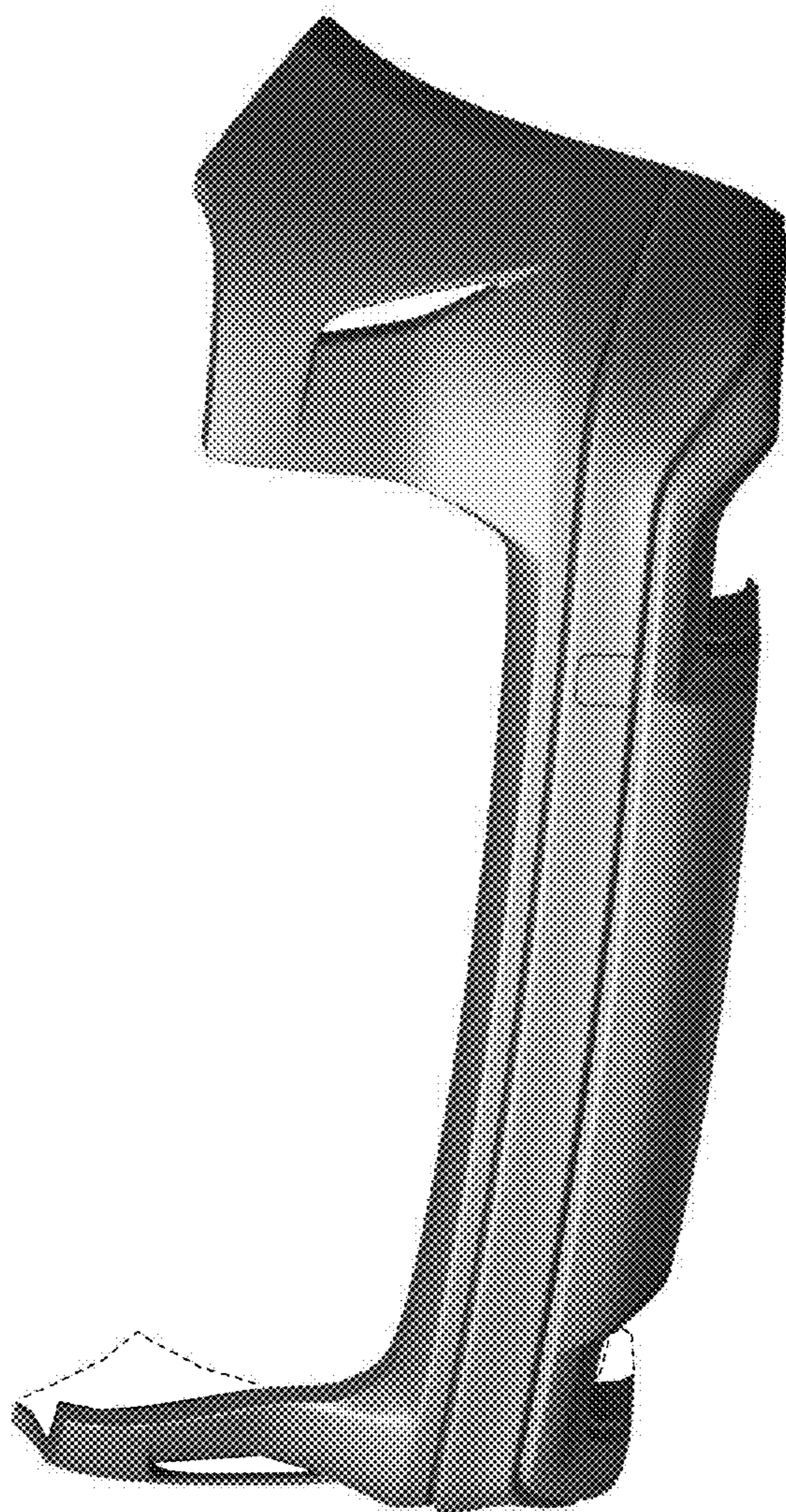


FIG. 7