



US00D841530S

(12) **United States Design Patent** (10) **Patent No.:** **US D841,530 S**
Sterner et al. (45) **Date of Patent:** **** Feb. 26, 2019**

(54) **BUMPER FOR VEHICLE**
(71) Applicant: **Volvo Car Corporation**, Göteborg (SE)
(72) Inventors: **Örjan Sterner**, Västra Frölunda (SE);
Thomas Ingenlath, Torslanda (SE);
Peter Reuterberg, Göteborg (SE);
Maximilian Missoni, Göteborg (SE)
(73) Assignee: **Volvo Car Corporation**, Göteborg (SE)
(**) Term: **15 Years**

D640,958 S * 7/2011 Yokoi D12/169
D656,871 S * 4/2012 Fetherston D12/169
D658,552 S * 5/2012 Fetherston D12/164
D664,901 S * 8/2012 Futschik D12/169
D670,627 S * 11/2012 Fetherston D12/169
(Continued)

FOREIGN PATENT DOCUMENTS

JP D1410881 4/2011
JP D1486324 12/2013
(Continued)

OTHER PUBLICATIONS

Image: Bumper of Volvo XC Concept Coupe (2014); released to public Aug. 29, 2013.
(Continued)

Related U.S. Application Data

(62) Division of application No. 29/542,819, filed on Oct. 17, 2015, now abandoned.

Primary Examiner — Darlington Ly
Assistant Examiner — Katherine A Holbrow
(74) *Attorney, Agent, or Firm* — Tucker Ellis LLP

(30) **Foreign Application Priority Data**

Apr. 23, 2015 (EM) 002687764-0006
Apr. 23, 2016 (EM) 002687764-0008

(57) **CLAIM**

The ornamental design for a bumper for vehicle, as shown and described.

(51) **LOC (11) Cl.** **12-16**
(52) **U.S. Cl.**
USPC **D12/169**

DESCRIPTION

(58) **Field of Classification Search**
USPC D12/163, 164, 169, 171
CPC . B60R 19/02; B60R 2019/1886; B60R 19/48;
B60R 19/52; B60R 19/56
See application file for complete search history.

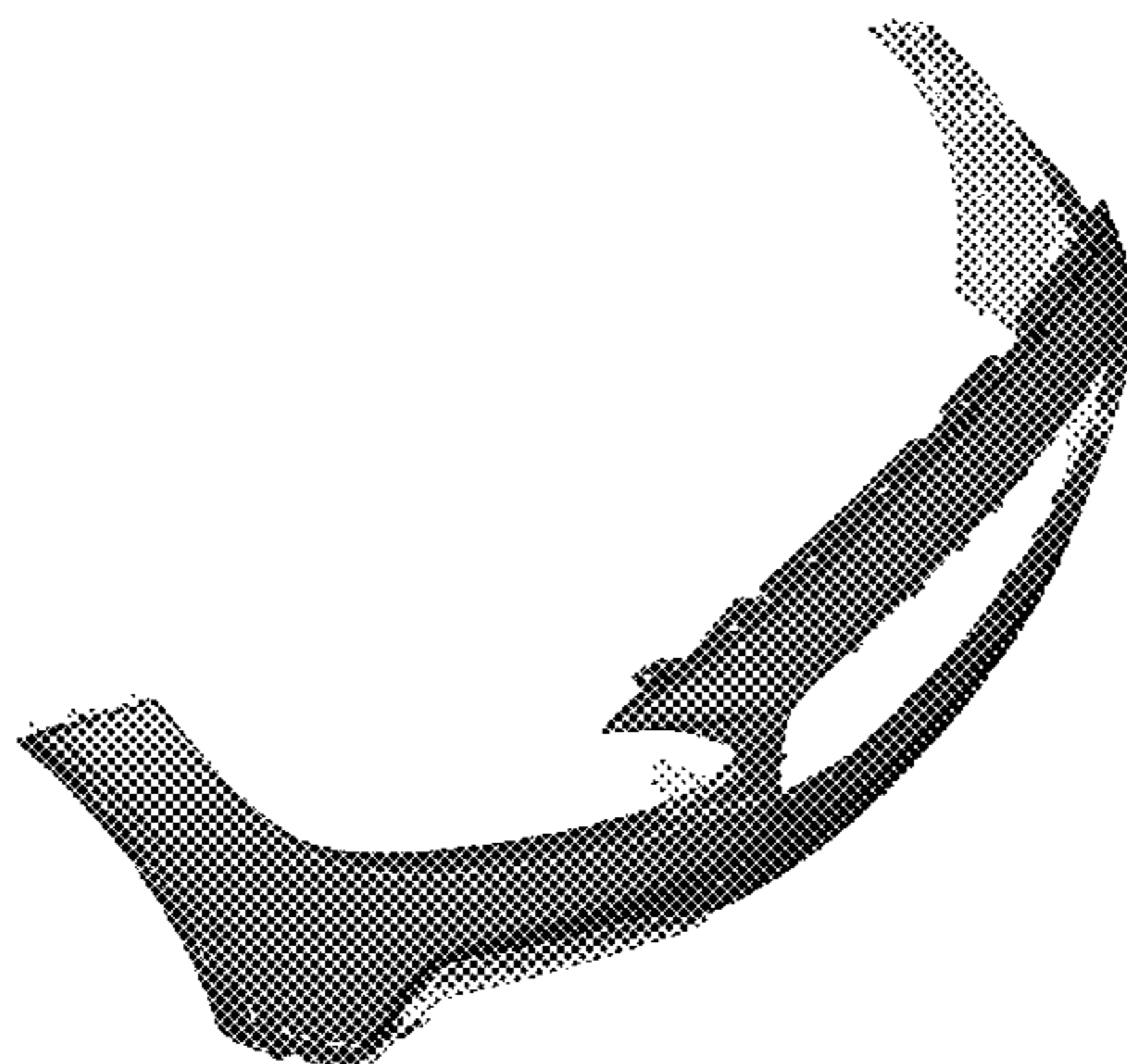
FIG. 1 is a perspective view of a bumper for vehicle showing our new design.
FIG. 2 is front view thereof.
FIG. 3 is a rear view thereof.
FIG. 4 is a left side view thereof.
FIG. 5 is a right side view thereof.
FIG. 6 is a top view thereof; and,
FIG. 7 is a bottom view thereof.
The de-emphasized portions shown in the drawings illustrate portions of the bumper for vehicle and form no part of the claimed design.

(56) **References Cited**

U.S. PATENT DOCUMENTS

D573,925 S 7/2008 Hayashi
D610,043 S * 2/2010 Bauer D12/92
D619,514 S * 7/2010 Syouji D12/169
D623,566 S * 9/2010 Bauer D12/169

1 Claim, 4 Drawing Sheets



(56)

References Cited

U.S. PATENT DOCUMENTS

D671,870	S	12/2012	Yanase	
D712,801	S	9/2014	Kobayashi	
D713,767	S *	9/2014	Selvaag	D12/169
D714,192	S *	9/2014	Huet	D12/92
D753,558	S *	4/2016	Hatton	D12/169
D758,258	S *	6/2016	Lesnik	D12/164
D760,132	S *	6/2016	Choi	D12/169
D771,532	S *	11/2016	Kapitonov	D12/169
D776,012	S *	1/2017	Sterner	D12/92
D780,066	S *	2/2017	Sterner	D12/91
D784,216	S *	4/2017	Fuchino	D12/169
D793,926	S *	8/2017	Potter	D12/169
D802,482	S *	11/2017	Sterner	D12/91

FOREIGN PATENT DOCUMENTS

JP	D1503586	7/2014
JP	D1486863	12/2014
TW	D145227	2/2012
TW	D152122	3/2012
TW	D146598	4/2012

OTHER PUBLICATIONS

Taiwanese Search Report from corresponding Taiwan Application No. TW104305966, completed on Mar. 15, 2016.
 Taiwanese Search Report from corresponding Taiwan Application No. TW104305973, completed on Mar. 15, 2016.
 Image: Bumper of Volvo Concept Coupe (2014); released to public Aug. 29, 2013.
 Volvo Car Corp, Bumper for vehicles, WIPO Registered Design WO Registration D078081-001, Feb. 6, 2012, [online], [site visited Aug. 1, 2016]. Available from Internet: <<http://www.wipo.int/designdb/hague/en/>>.
 Joseph, Noah, Polestar pumps up Volvo S90, Jun. 7, 2016, autoblog.com [online], [site visited Aug. 1, 2016]. Available from Internet: <<http://www.autoblog.com/2016/06/07/volvo-s90-v90-polestar-performance-official/>>.
 Lorio, Joe, 2017 Volvo S90, Dec. 2015, caranddriver.com [online], [site visited Aug. 1, 2016]. Available from Internet: <<http://www.caranddriver.com/news/2017-volvo-s90-a-new-swedish-flagship-sedan>>.
 Volvo Car Corp, Bumper for vehicles, WIPO Registered Design WO Registration D078082-002, Feb. 6, 2012 [online], [site visited Aug. 1, 2016]. Available from Internet: <<http://www.wipo.int/designdb/hague/en/>>.

* cited by examiner

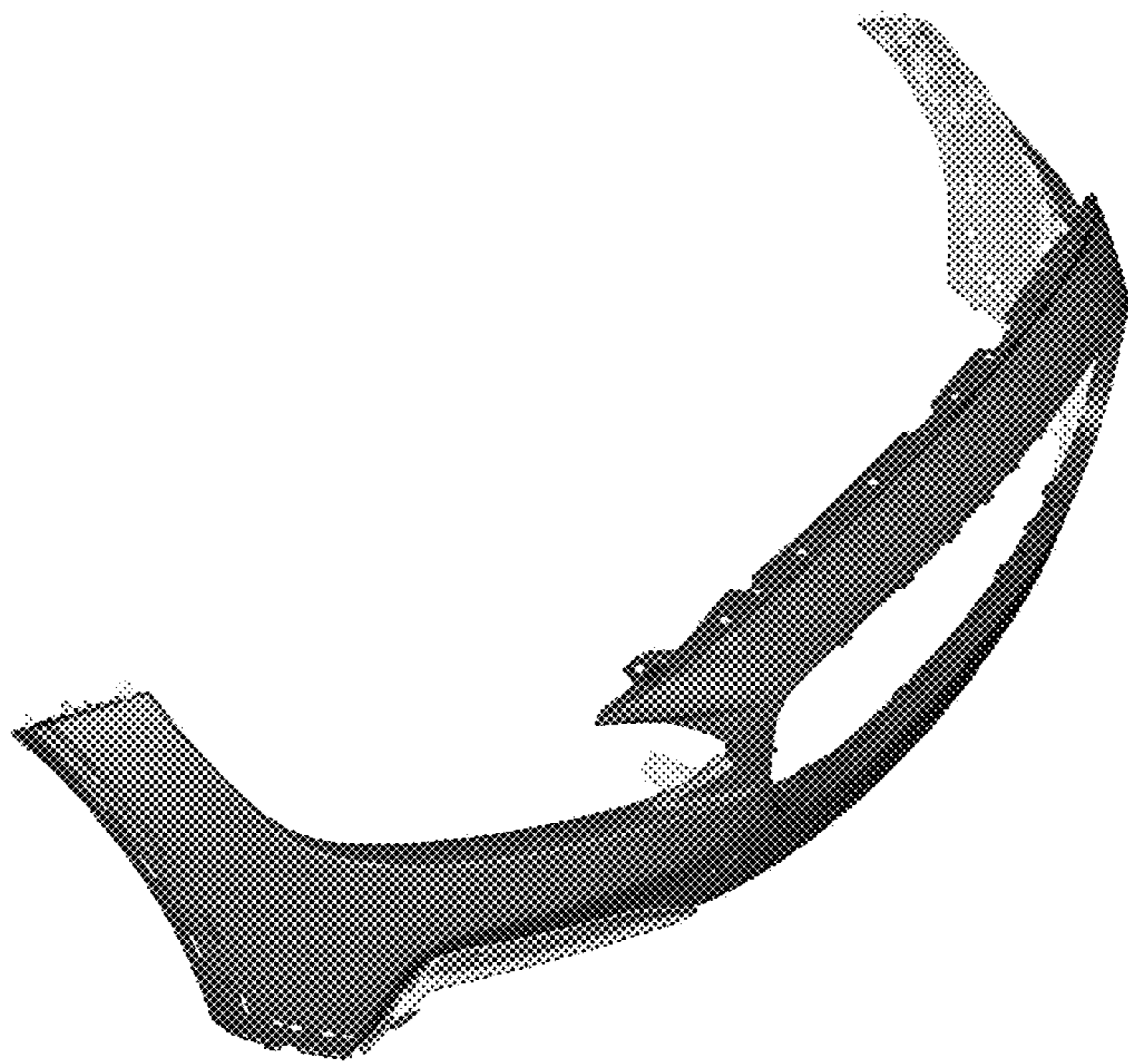


FIG. 1

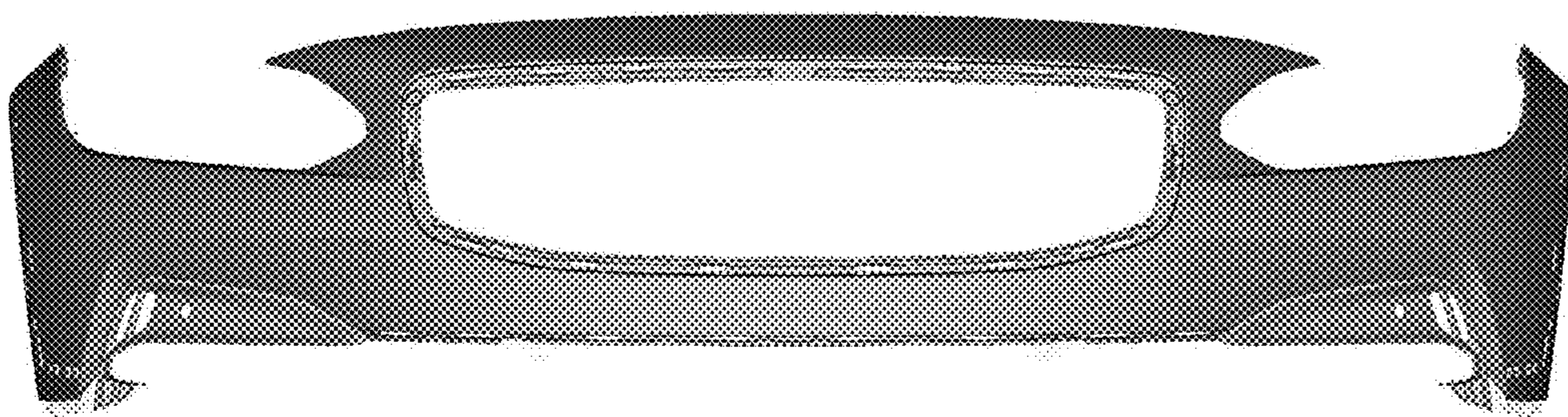


FIG. 2

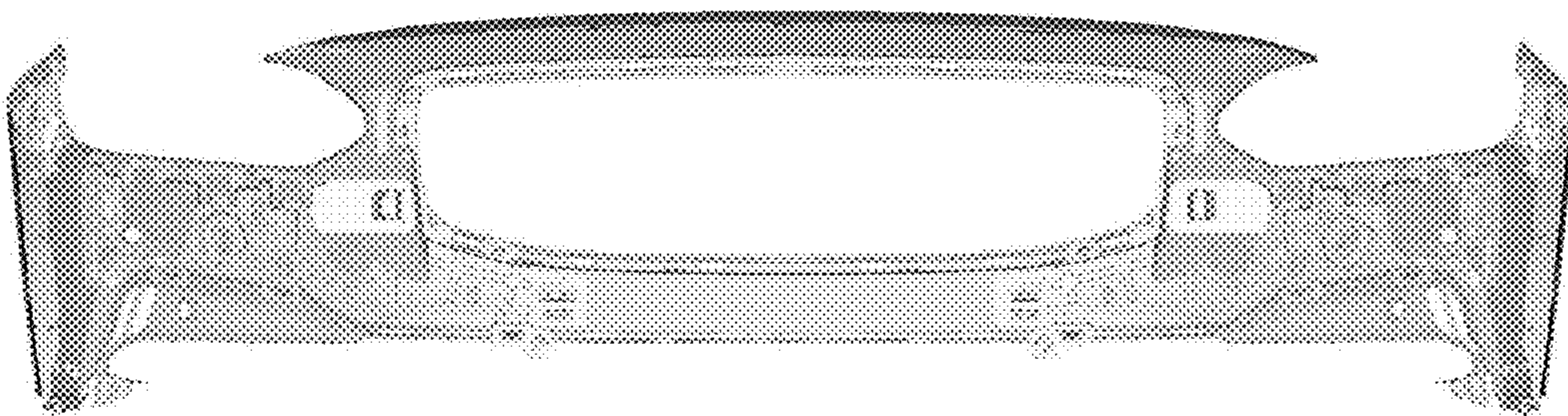


FIG. 3

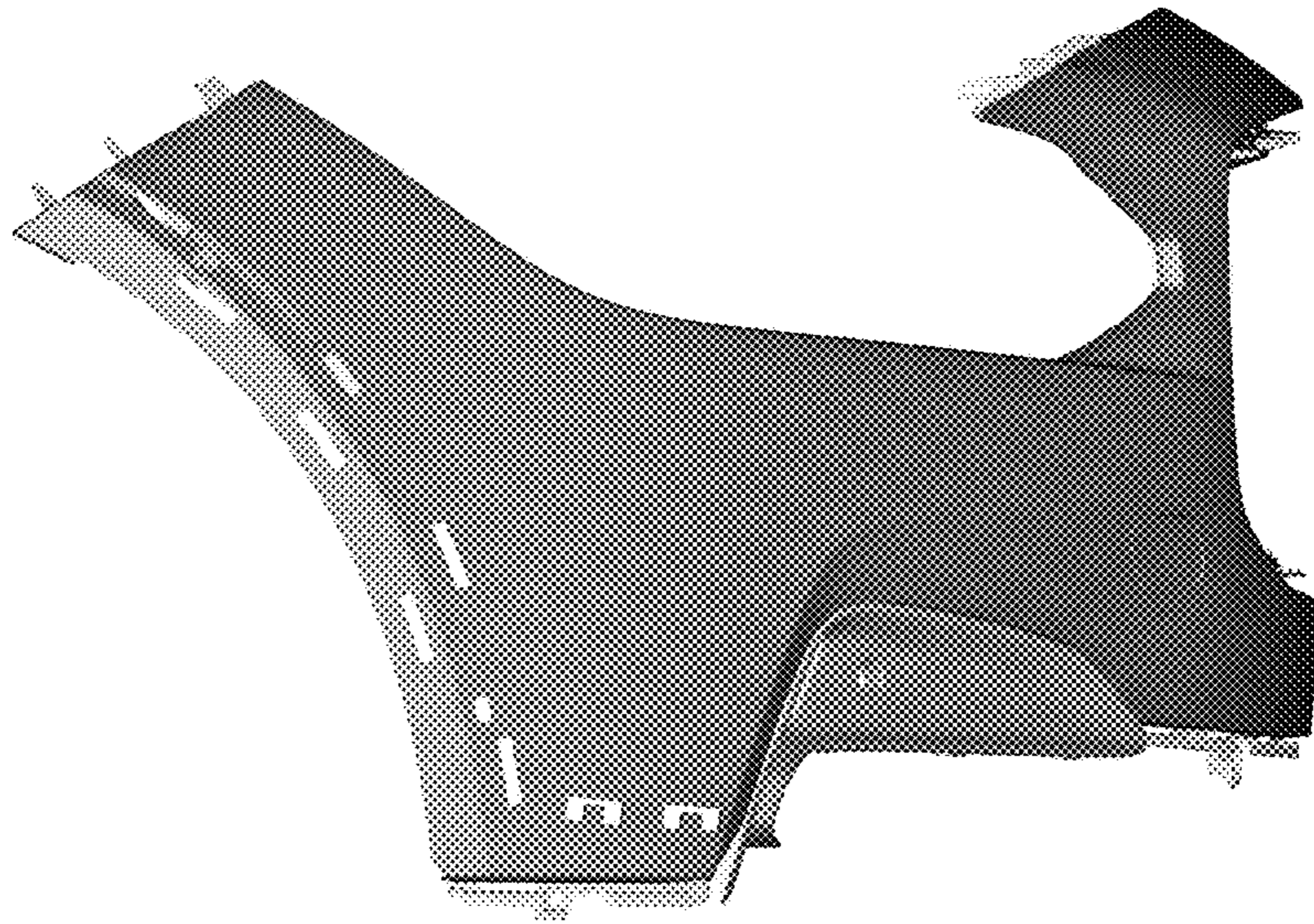


FIG. 4

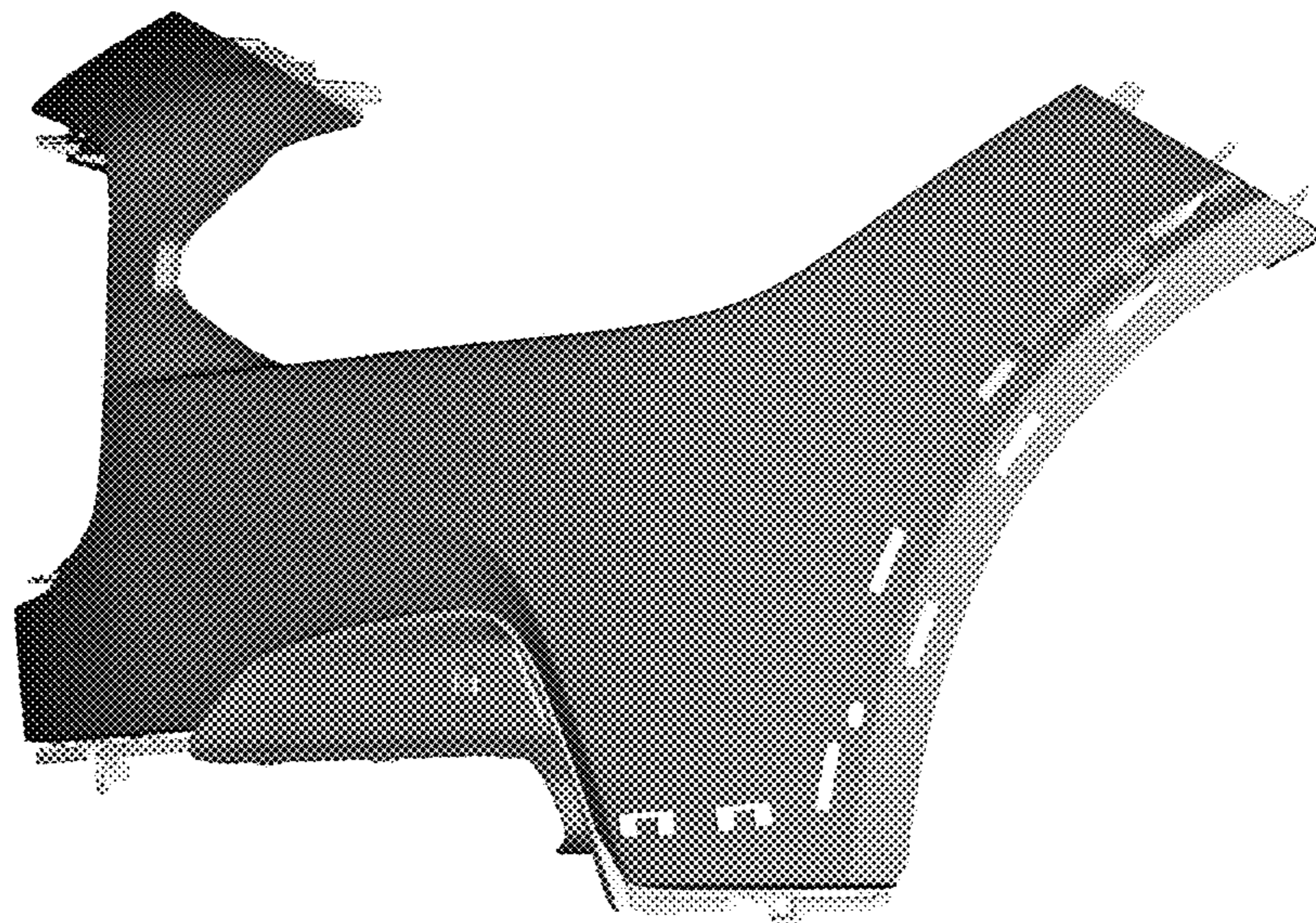


FIG. 5

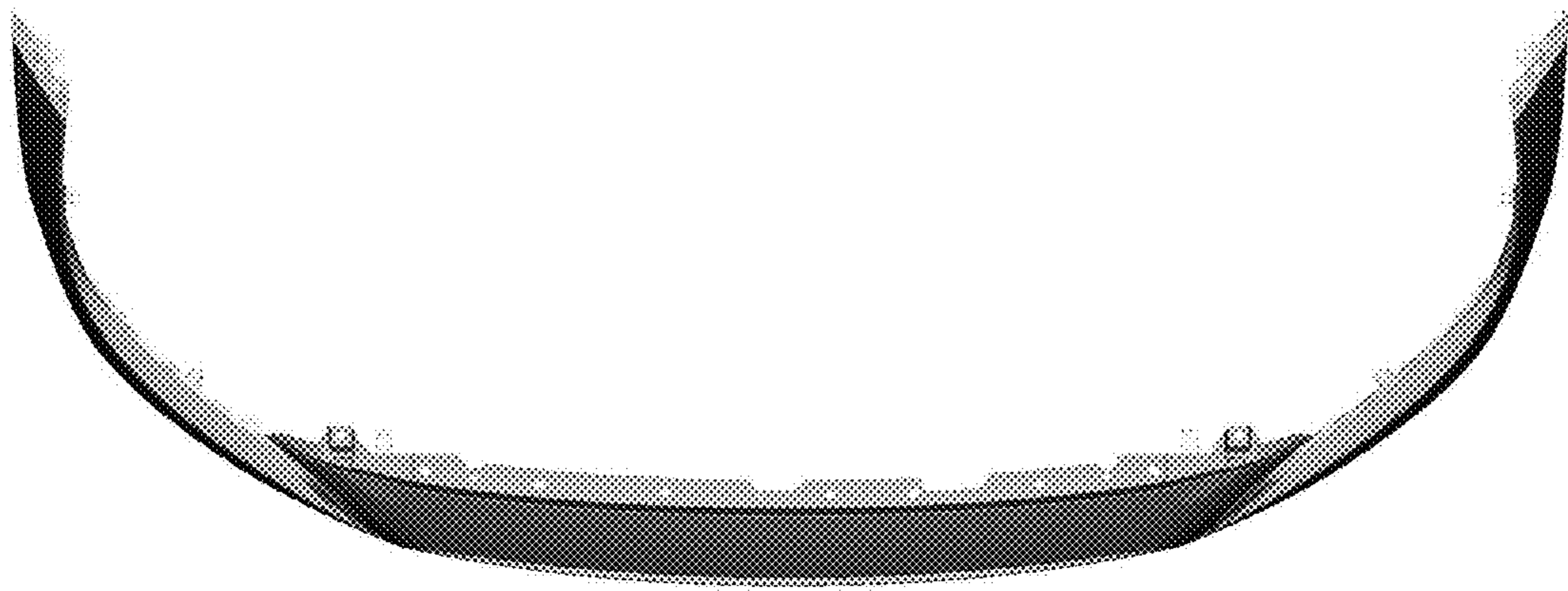


FIG. 6

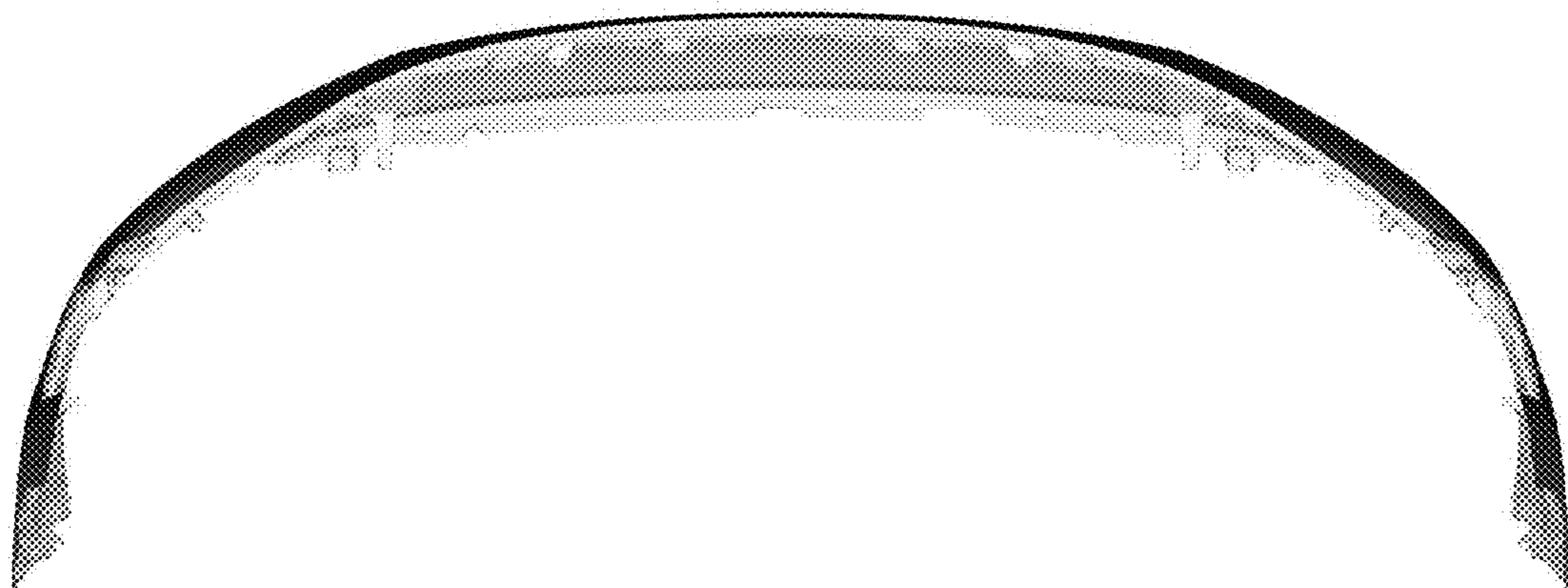


FIG. 7