



US00D841529S

(12) **United States Design Patent**
Battams

(10) **Patent No.:** **US D841,529 S**

(45) **Date of Patent:** **** Feb. 26, 2019**

(54) **REAR END OF A VEHICLE**

(71) Applicant: **Jaguar Land Rover Limited**, Whitley,
Coventry (GB)

(72) Inventor: **Robert Battams**, Coventry (GB)

(73) Assignee: **Jaguar Land Rover Limited**, Whitley,
Coventry (GB)

(**) Term: **15 Years**

(21) Appl. No.: **29/622,275**

(22) Filed: **Oct. 16, 2017**

(30) **Foreign Application Priority Data**

Apr. 21, 2017 (EM) 003867092

(51) **LOC (11) Cl.** **12-16**

(52) **U.S. Cl.**
USPC **D12/164**

(58) **Field of Classification Search**
USPC D12/169, 216, 90-92, 86, 171, 196, 163,
D12/164; 293/102, 113, 115, 117, 120;
296/180.1, 180.2

CPC B60R 19/02; B60R 19/04; B62D 25/08
See application file for complete search history.

(56) **References Cited**

U.S. PATENT DOCUMENTS

D743,851 S * 11/2015 Frascella D12/164
D776,580 S * 1/2017 Fukui D12/164

D779,394 S * 2/2017 Suga D12/164
D805,959 S * 12/2017 Wheel D12/91
D805,960 S * 12/2017 Wheel D12/91
D807,245 S * 1/2018 Patel D12/164
D817,817 S * 5/2018 Frascella D12/91
D818,399 S * 5/2018 Frascella D12/91

* cited by examiner

Primary Examiner — Melody N Brown

(74) *Attorney, Agent, or Firm* — Wood Herron & Evans
LLP

(57) **CLAIM**

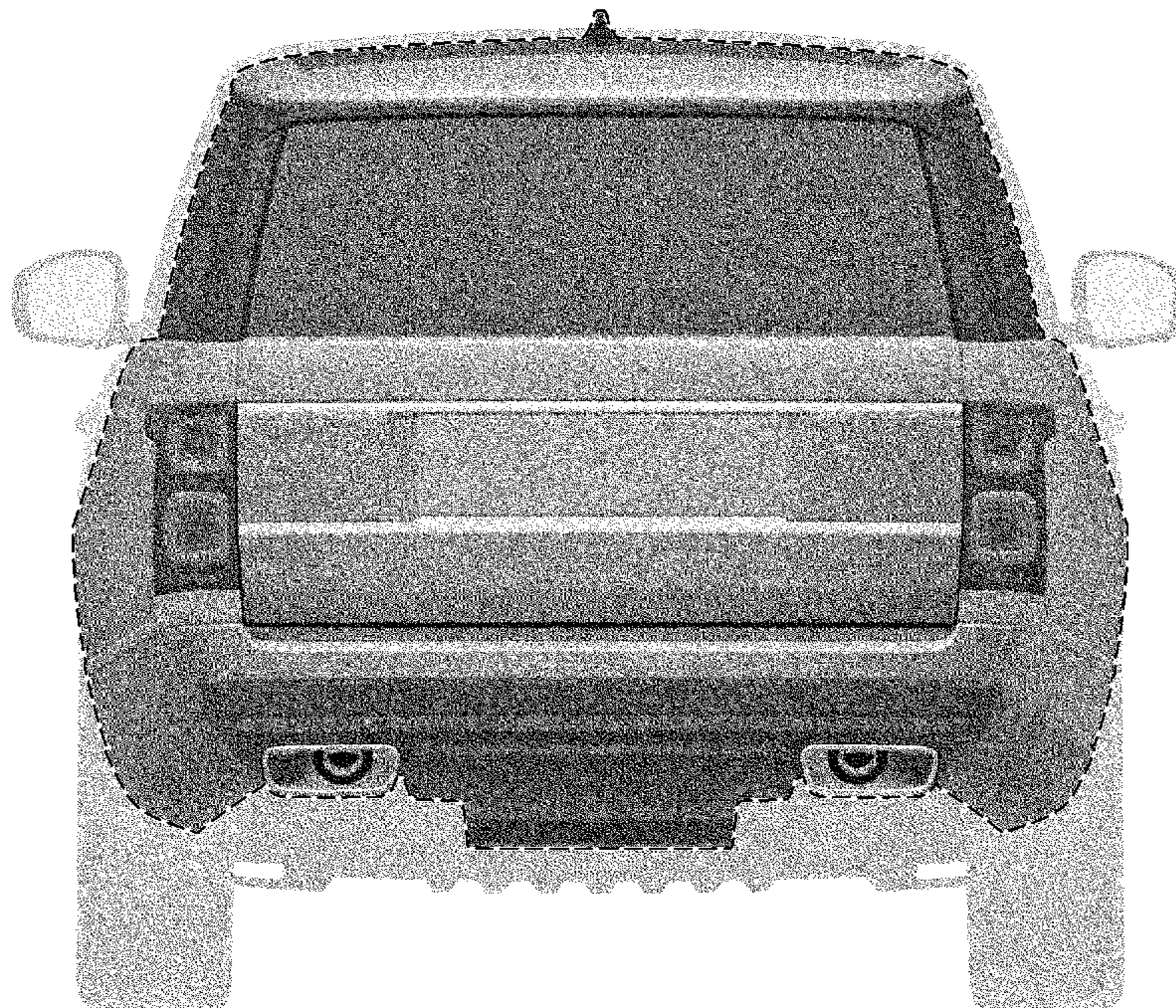
The ornamental design for a rear end of a vehicle, as shown
and described.

DESCRIPTION

FIG. 1 is a right, front perspective view of a rear end of a
vehicle showing my new design;
FIG. 2 is a left, rear perspective view thereof;
FIG. 3 is a front view thereof;
FIG. 4 is a right side view thereof;
FIG. 5 is a left side view thereof; and,
FIG. 6 is a top view thereof.

The portions of the vehicle shown throughout the drawing
views in de-emphasized and half tone portions outside the
broken lines and the broken lines representing the boundary
and configuration of what is claimed as the design are for
environmental and illustrative purposes only and form no
part of the claimed design.

1 Claim, 6 Drawing Sheets



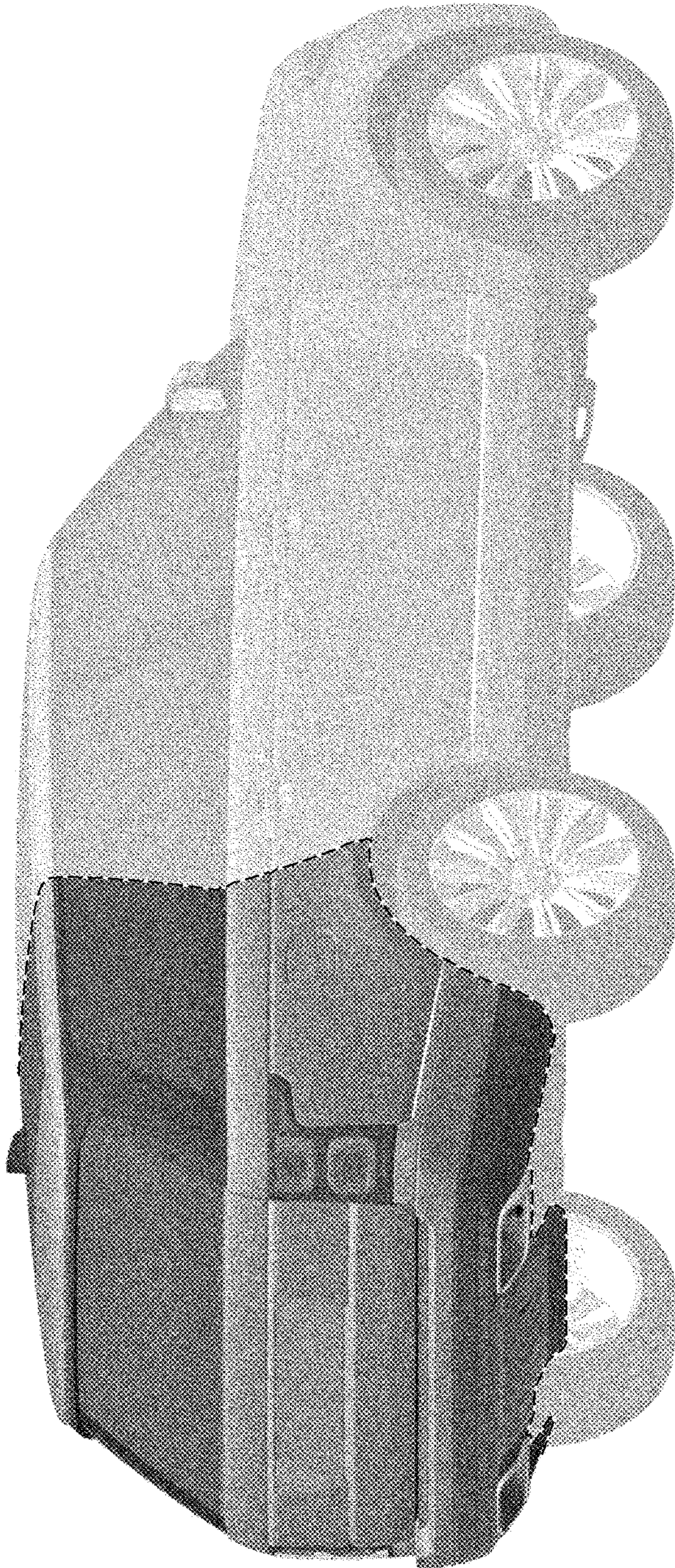


FIG. 1

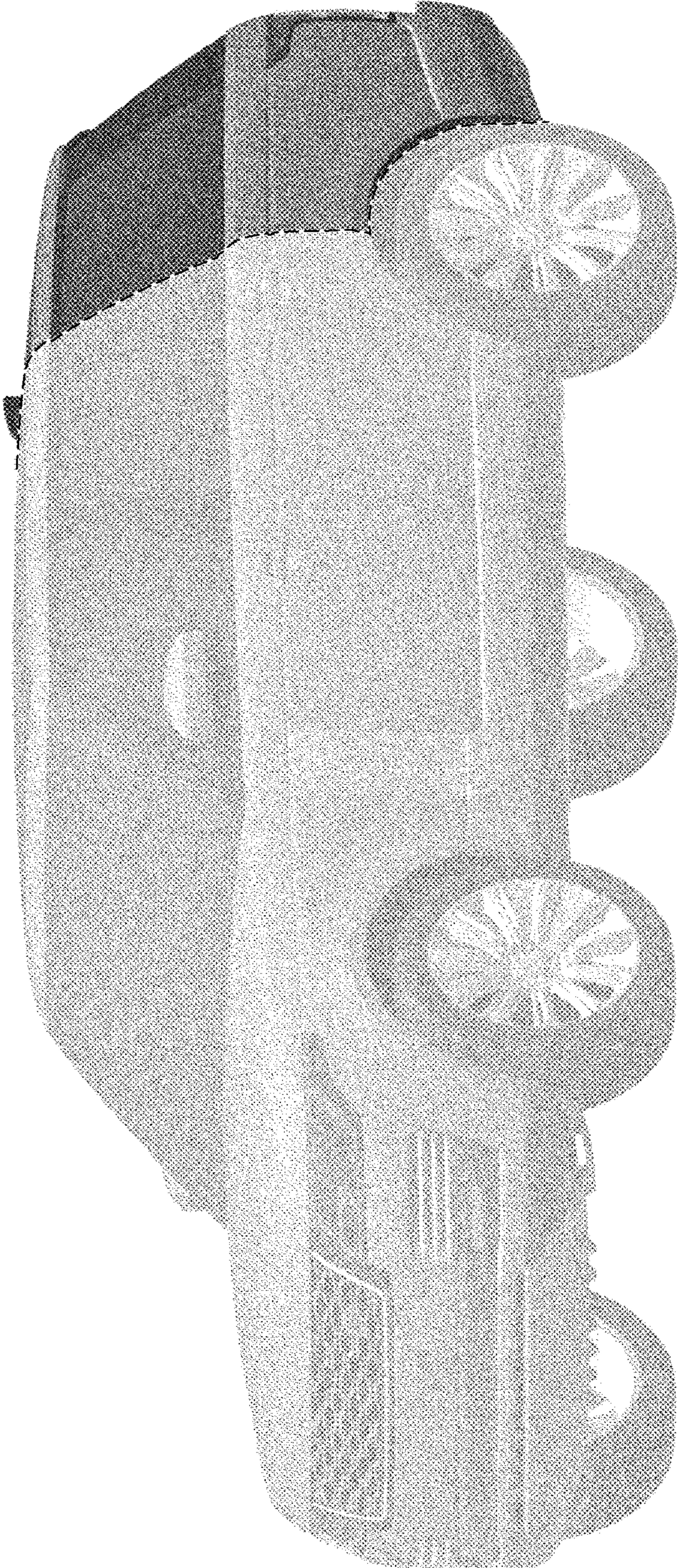


FIG. 2

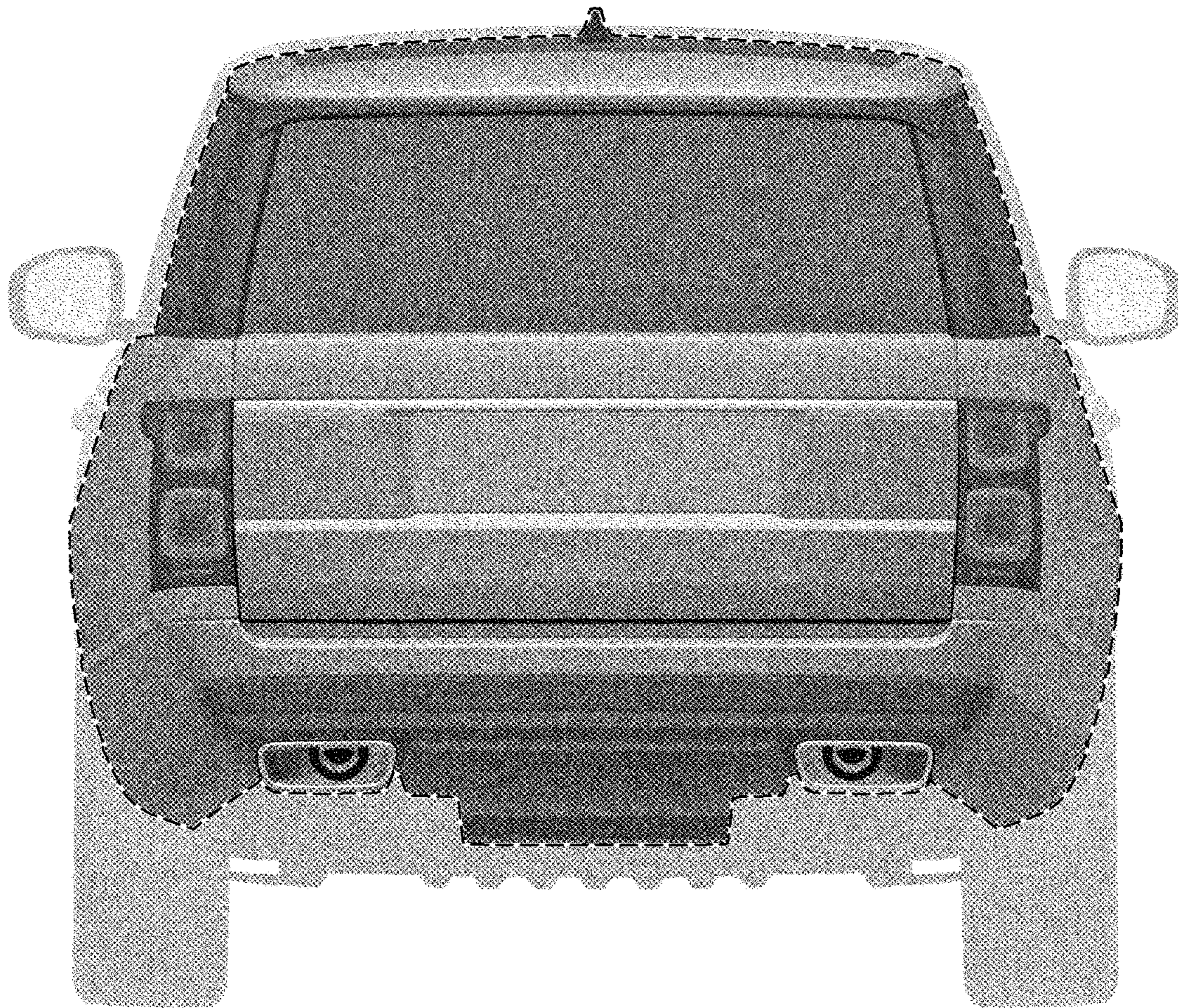


FIG. 3

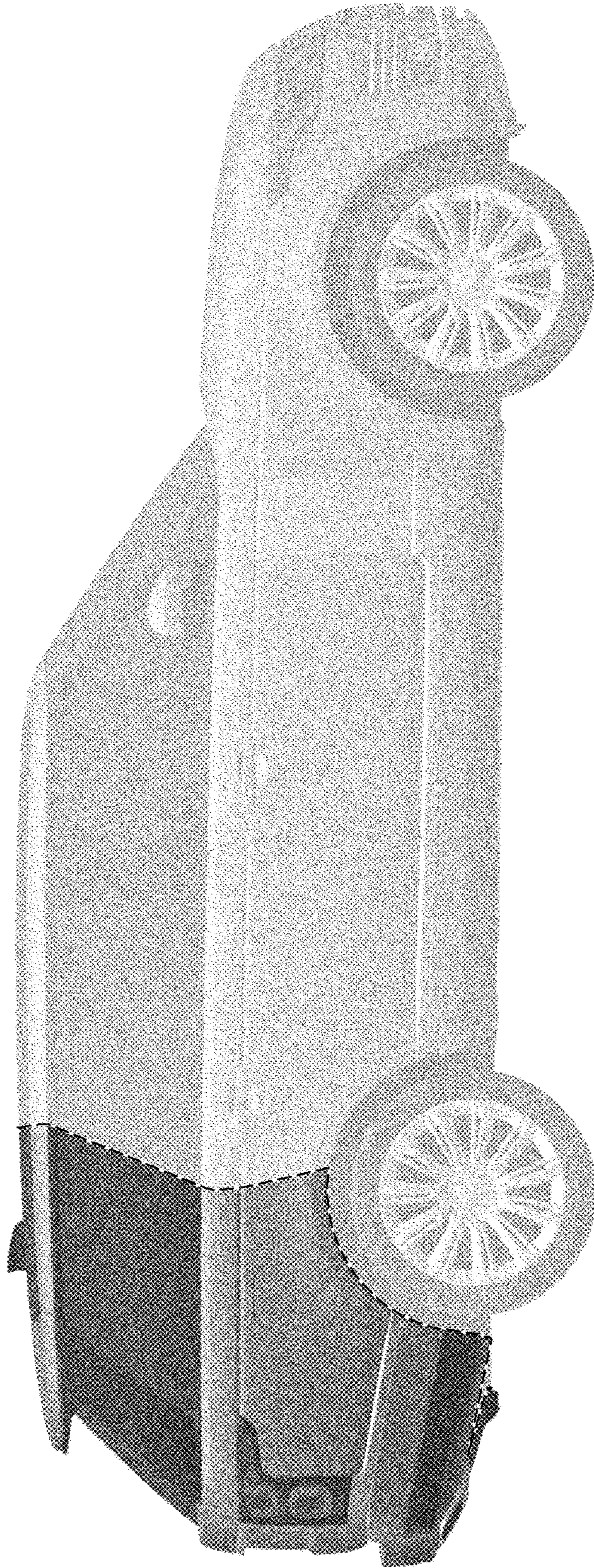


FIG. 4

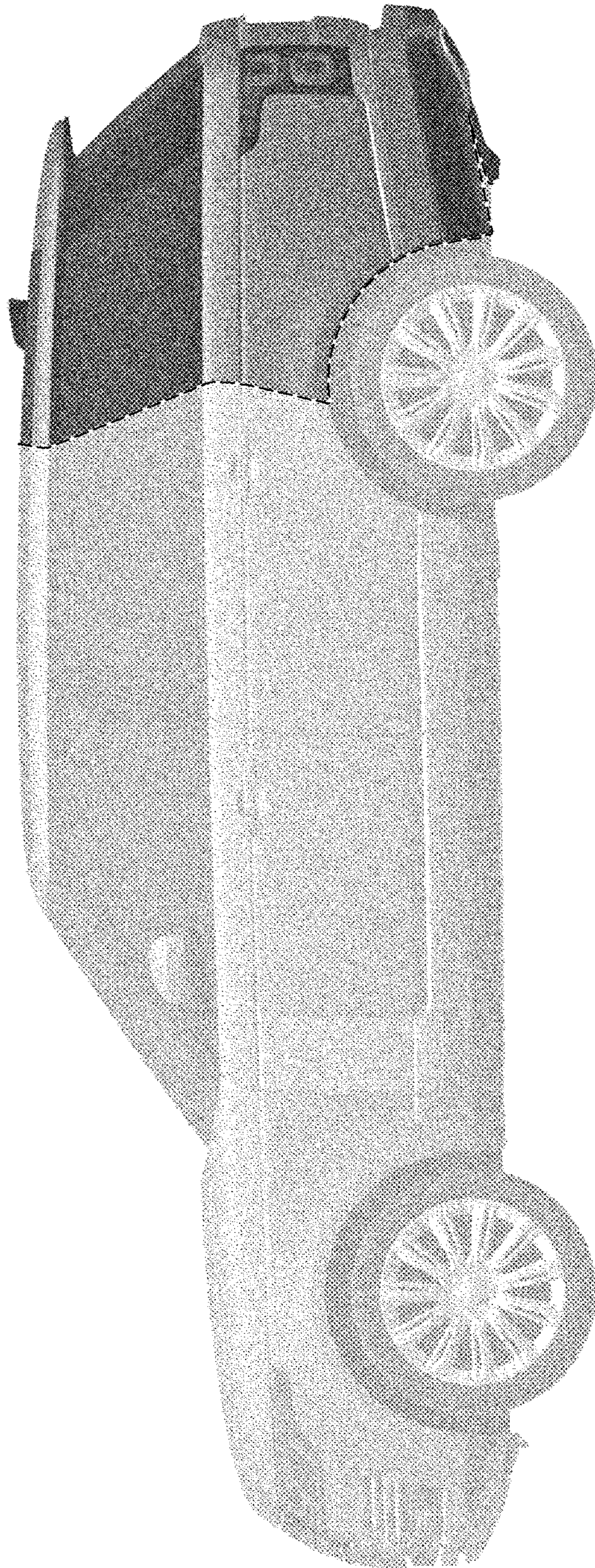


FIG. 5

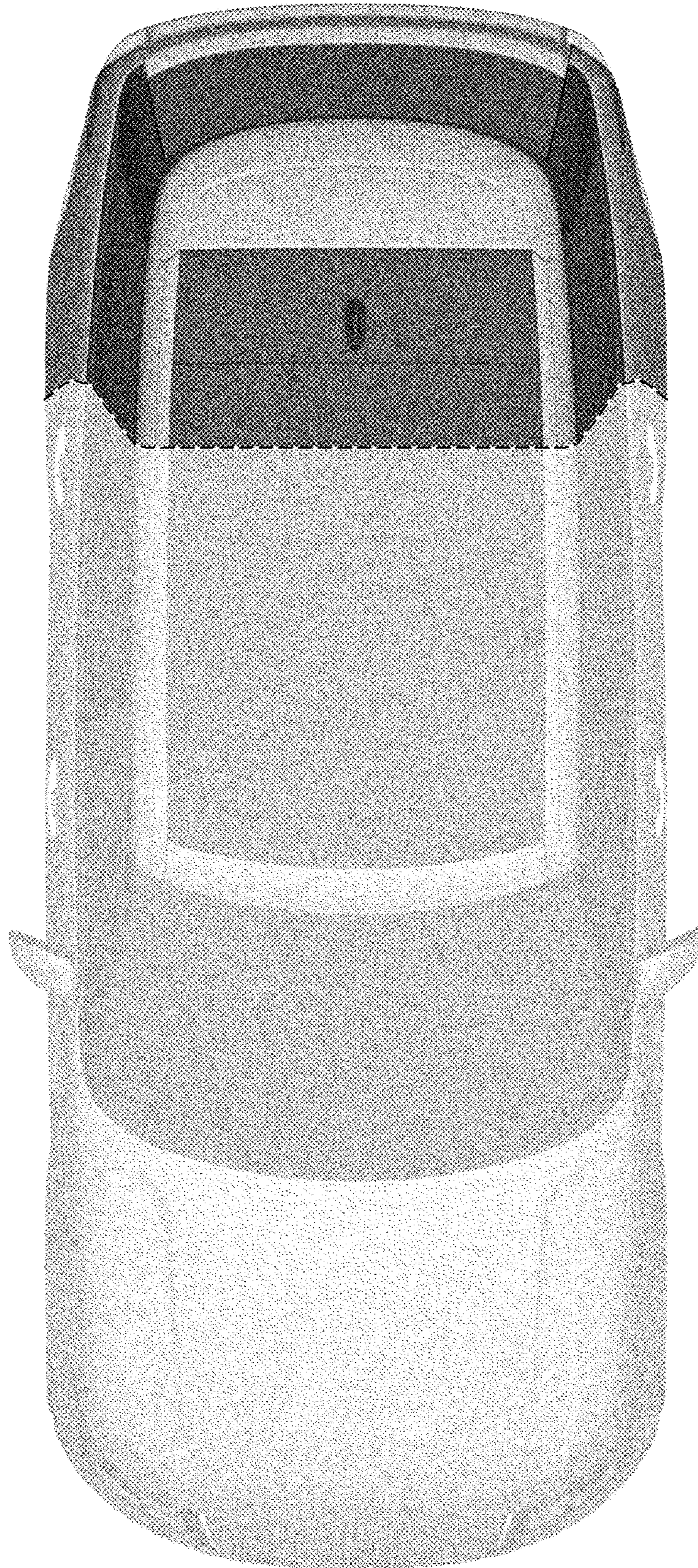


FIG. 6