



US00D841526S

(12) **United States Design Patent** (10) **Patent No.:** **US D841,526 S**
Siegel (45) **Date of Patent:** **** Feb. 26, 2019**

- (54) **ADJUSTABLE CLEVIS HITCH BALL** 7,559,570 B2 * 7/2009 Cearnis B60D 1/46
280/490.1
- (71) Applicant: **Horizon Global Americas Inc.,** D629,338 S * 12/2010 Ceccarelli D12/162
Plymouth, MI (US) D703,588 S * 4/2014 Wyers D12/162
D747,239 S * 1/2016 Wyers D12/162
D795,756 S * 8/2017 McCuskey D12/162
- (72) Inventor: **Theodore J. Siegel,** Mayfield Heights, 2004/0084877 A1 * 5/2004 Smith B60D 1/46
OH (US) 280/490.1
- (73) Assignee: **Horizon Global Americas Inc.,** 2012/0119467 A1 * 5/2012 Svihla B60D 1/06
Plymouth, MI (US) 280/477
2013/0020784 A1 * 1/2013 Weipert B60D 1/07
280/490.1

(**) Term: **15 Years**

(21) Appl. No.: **29/593,033**

(22) Filed: **Feb. 6, 2017**

(51) **LOC (11) Cl.** **12-16**

(52) **U.S. Cl.**
USPC **D12/162**

(58) **Field of Classification Search**
USPC D12/400, 199, 161, 162
CPC B60D 1/187; B60D 1/06; B60D 1/065;
B60D 1/07; B60D 1/145; B60D 1/02;
B60D 1/46; A01B 59/042
See application file for complete search history.

(56) **References Cited**

U.S. PATENT DOCUMENTS

- 5,975,553 A * 11/1999 Van Vleet B60D 1/46
280/483
- D508,221 S * 8/2005 Rebick D12/162
- 6,974,148 B2 * 12/2005 Moss B60D 1/06
280/416.1
- D553,058 S * 10/2007 Chen D12/162
- 7,451,996 B2 * 11/2008 Miles B60D 1/46
280/490.1

* cited by examiner

Primary Examiner — Susan E Krakower

Assistant Examiner — Jerry Shiuan-Hua Hsu

(74) *Attorney, Agent, or Firm* — McDonald Hopkins LLC

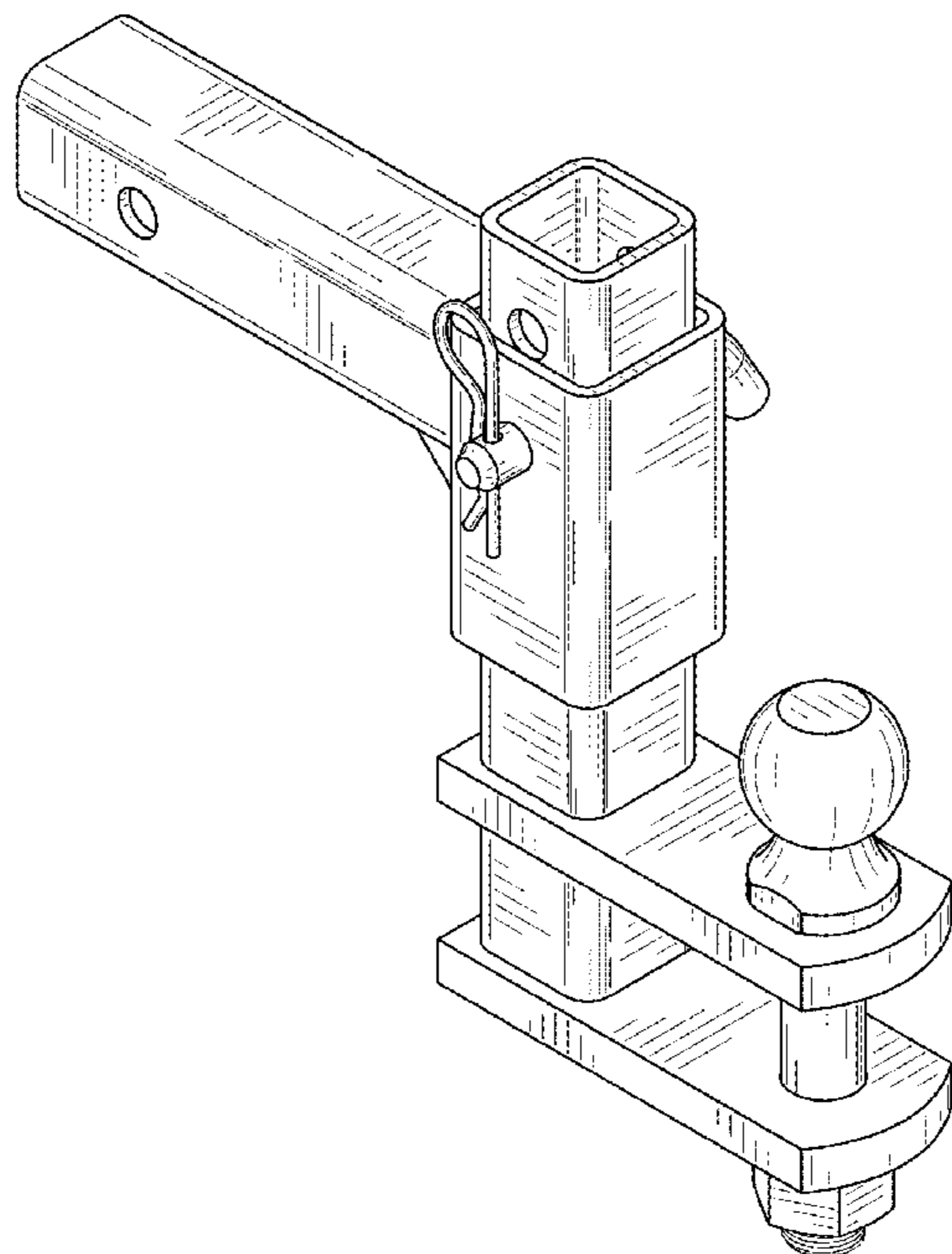
(57) **CLAIM**

The ornamental design for an adjustable clevis hitch ball, as shown and described.

DESCRIPTION

FIG. 1 is a perspective view of the adjustable clevis hitch ball, showing my new design;
FIG. 2 is a first side view thereof;
FIG. 3 is a second side view thereof;
FIG. 4 is a front side view thereof;
FIG. 5 is a rear side view thereof;
FIG. 6 is a top view thereof; and,
FIG. 7 is a bottom view thereof.
The broken lines in the figures are included for the purpose of illustrating portions of the adjustable clevis hitch ball and form no part of the claimed design.

1 Claim, 5 Drawing Sheets



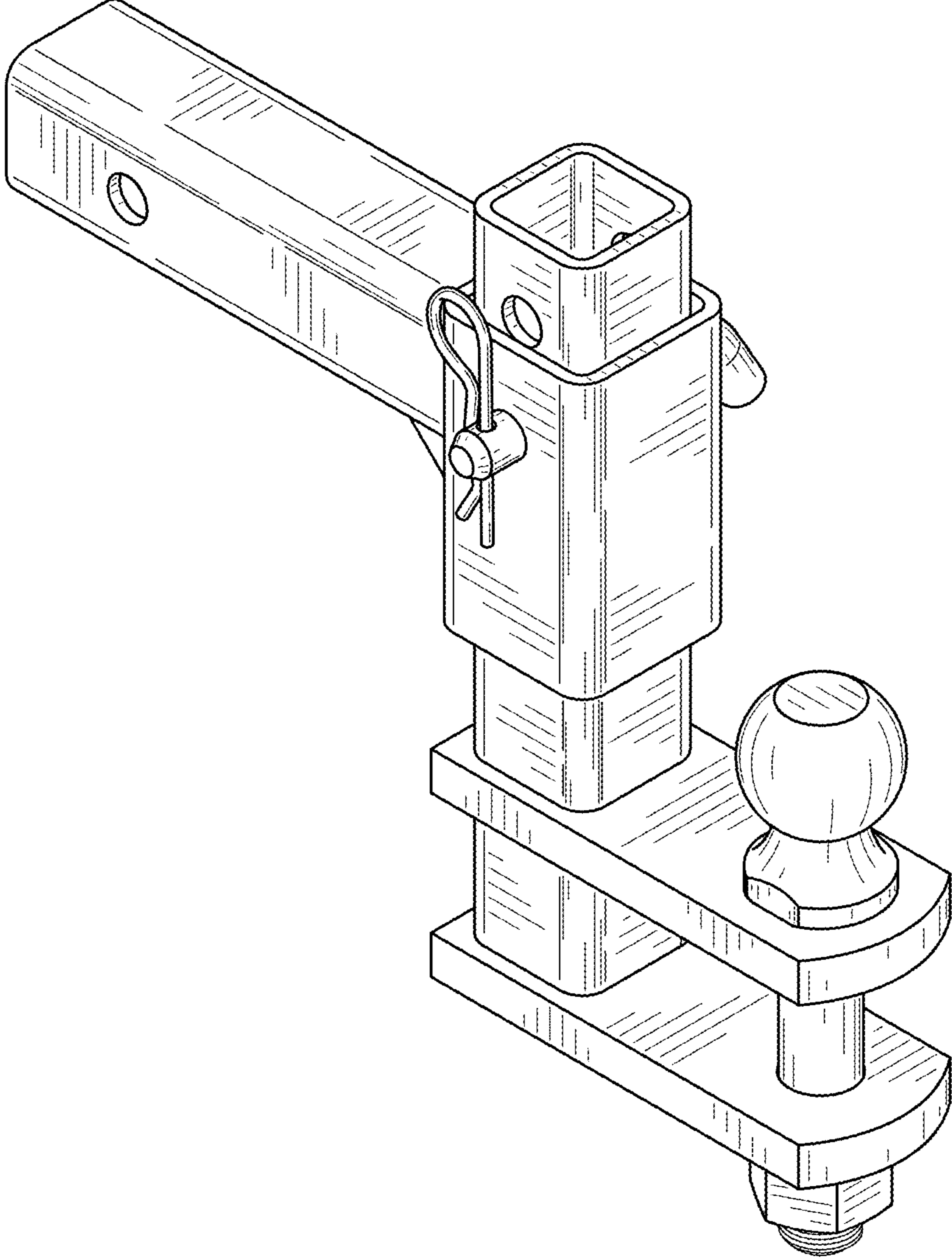


FIG. 1

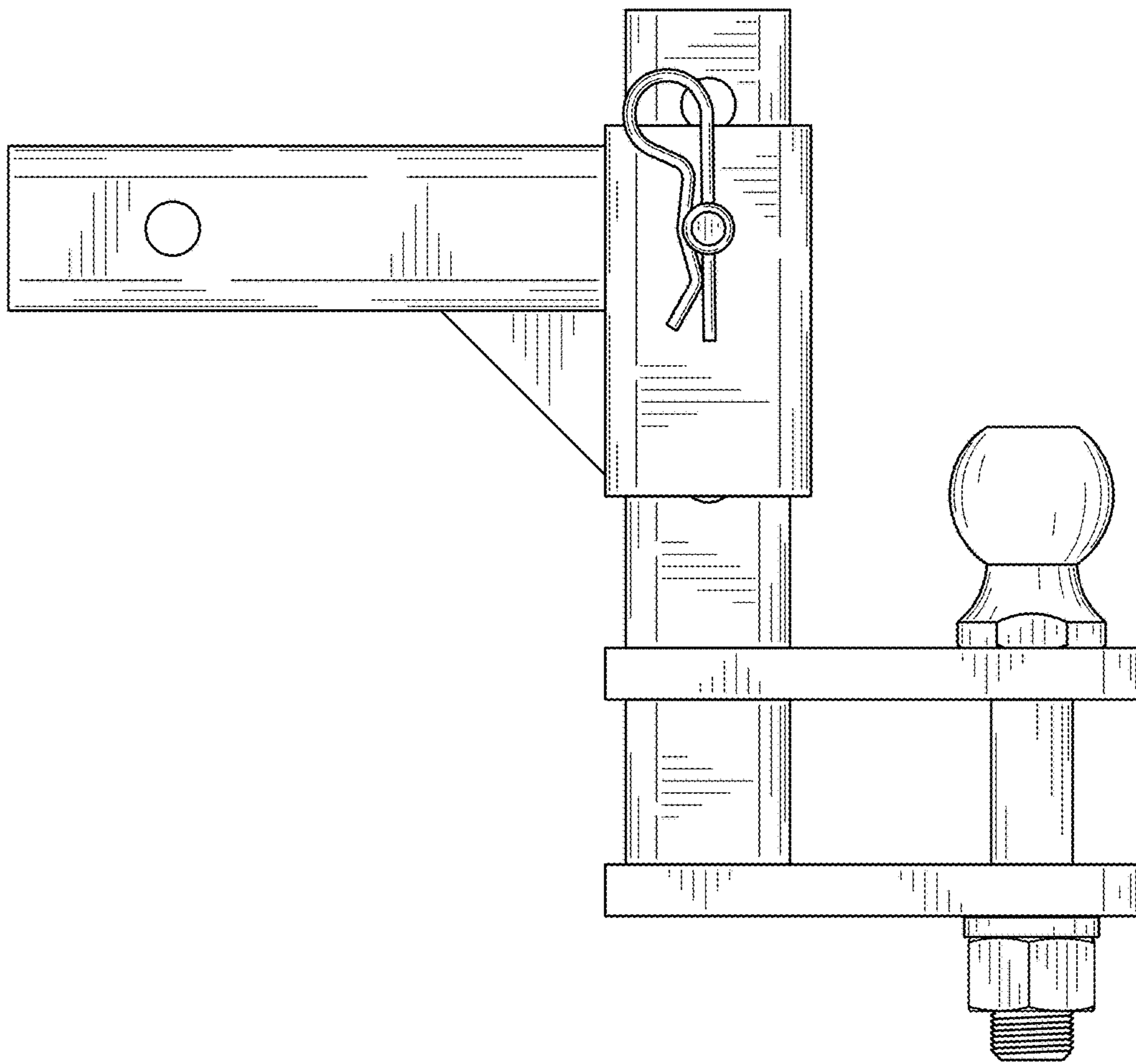


FIG. 2

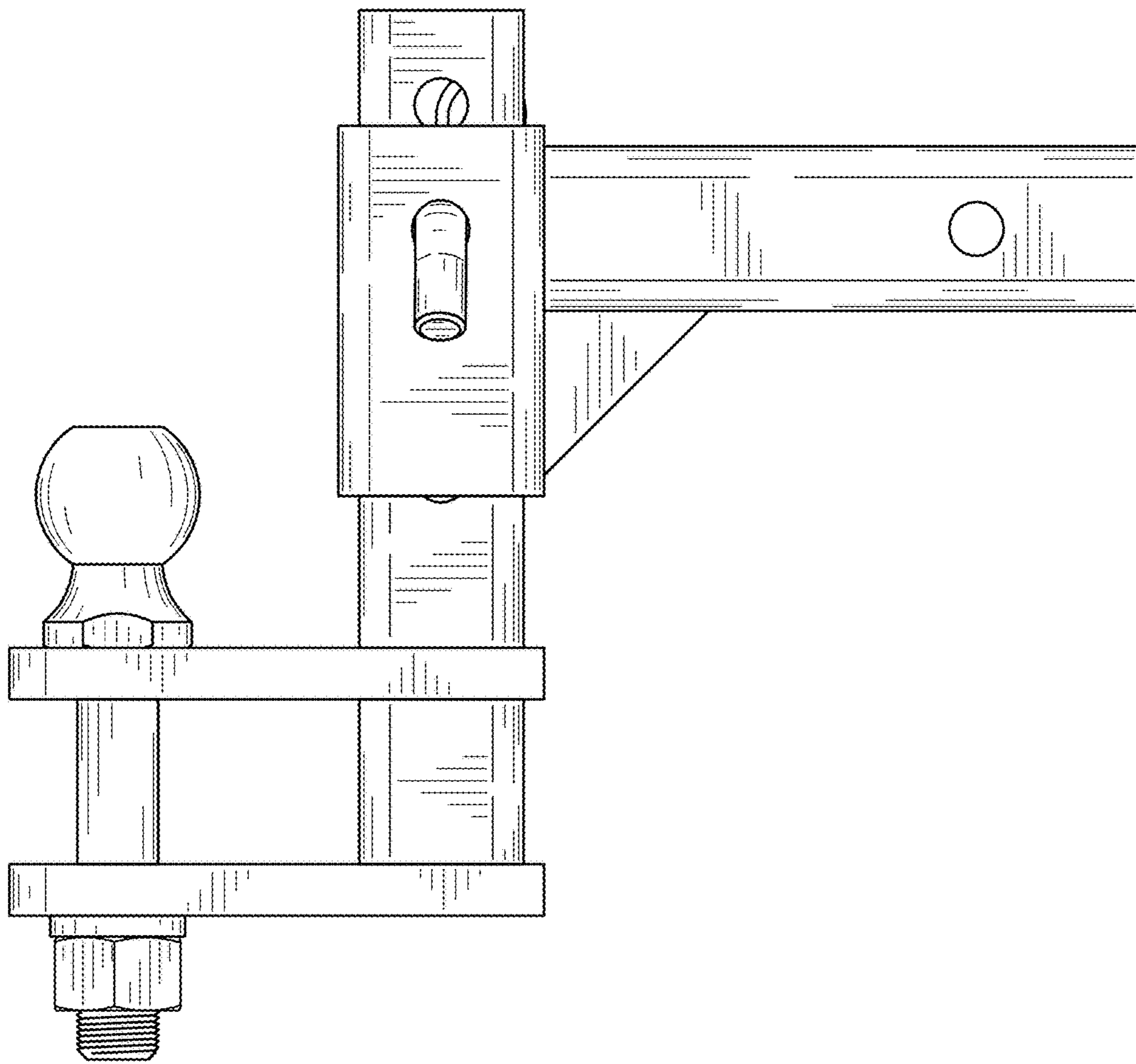


FIG. 3

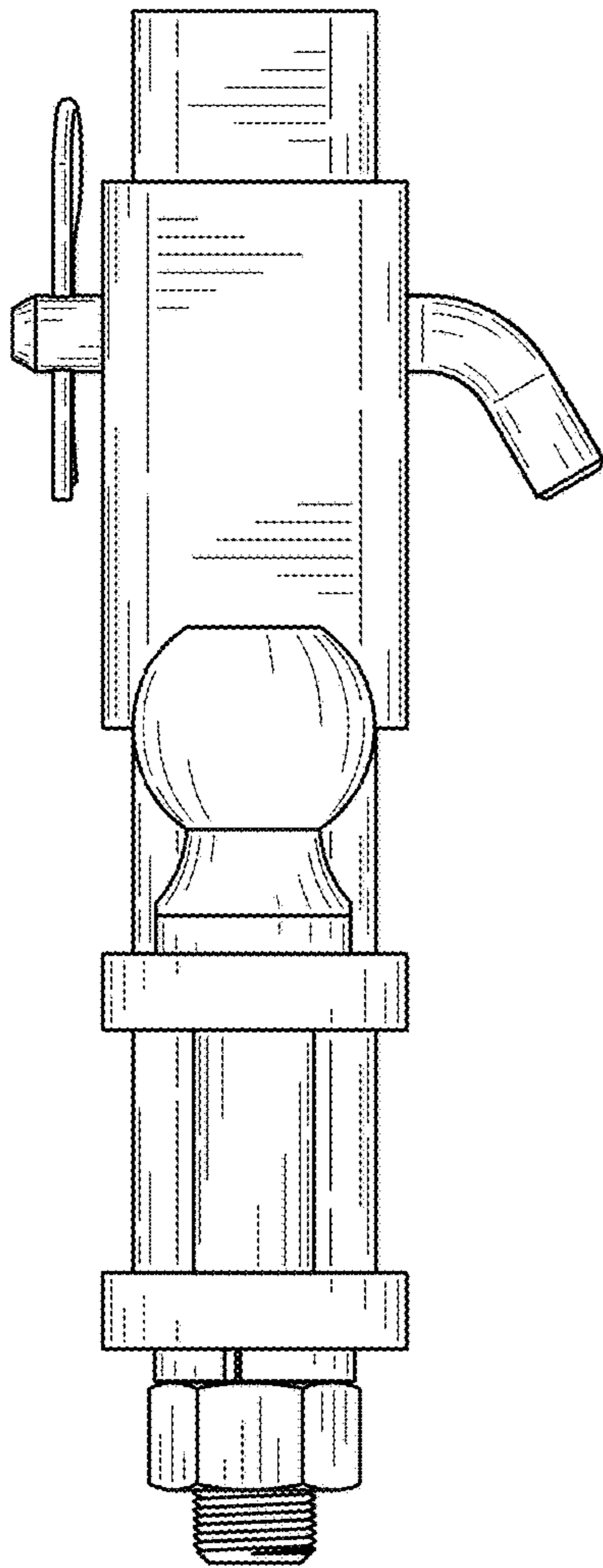


FIG. 4

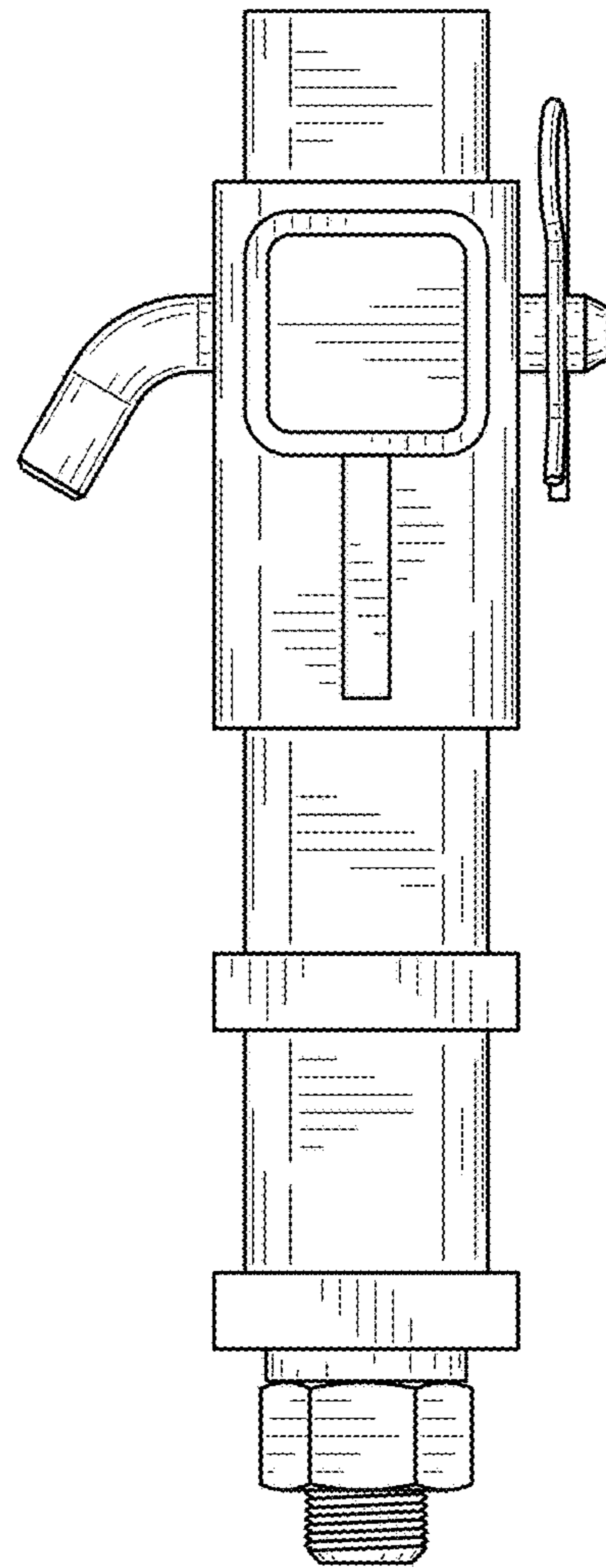


FIG. 5

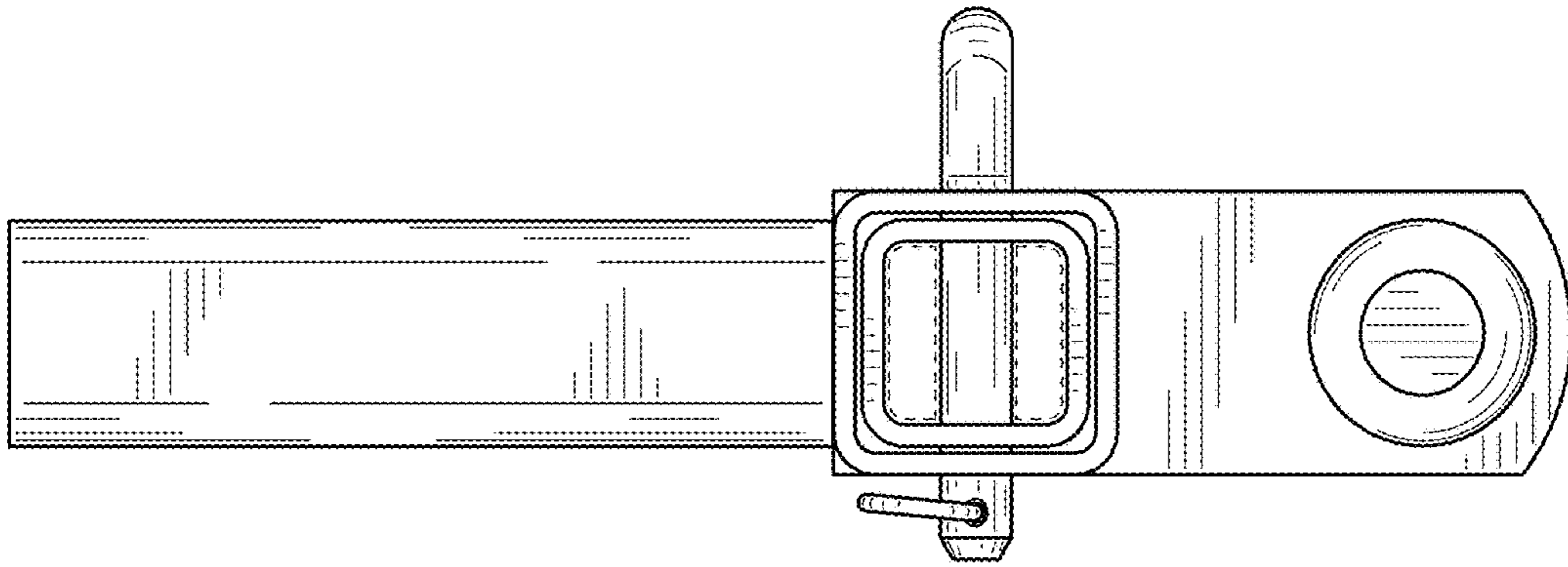


FIG. 6

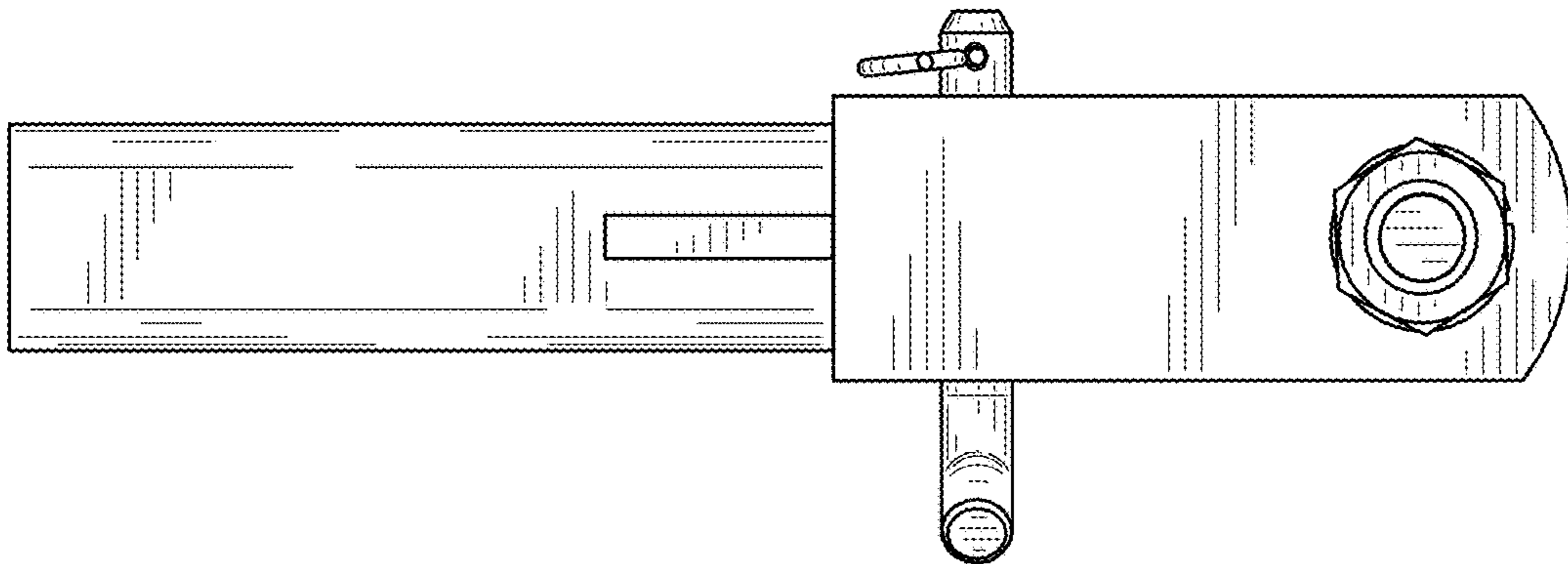


FIG. 7