



US00D841525S

(12) **United States Design Patent** (10) **Patent No.:** **US D841,525 S**  
**Hu** (45) **Date of Patent:** **\*\* Feb. 26, 2019**

(54) **STROLLER** 7,364,171 B2 \* 4/2008 Hu ..... B60B 1/006  
280/47.38  
(71) Applicant: **Hubei Yangtian Plastic Products** D578,044 S \* 10/2008 Chen ..... D12/129  
**Limited**, Hanchuan, Hubei (CN) D596,996 S \* 7/2009 Yang ..... D12/129  
D621,306 S \* 8/2010 Liao ..... D12/129  
(72) Inventor: **Chengpeng Hu**, Wuhan (CN) D643,343 S \* 8/2011 Song ..... D12/129  
D661,624 S \* 6/2012 Stopp ..... D12/129  
(73) Assignee: **HUBEI YANGTIAN PLASTIC** D672,692 S \* 12/2012 Jane Santamaria ..... D12/129  
**PRODUCTS LIMITED**, Hanchuan, D677,605 S \* 3/2013 Ide ..... D12/129  
Hubei (CN) \* cited by examiner

(\*\*) Term: **15 Years** *Primary Examiner* — Charles D Hanson  
(74) *Attorney, Agent, or Firm* — Muncy, Geissler, Olds & Lowe, P.C.

(21) Appl. No.: **29/613,992**

(22) Filed: **Aug. 15, 2017**

(51) **LOC (11) Cl.** ..... **12-12**

(52) **U.S. Cl.**  
USPC ..... **D12/129**

(58) **Field of Classification Search**  
USPC ..... D12/128–133  
CPC ..... B62B 7/00–7/04; B62B 9/00–9/28  
See application file for complete search history.

(56) **References Cited**

**U.S. PATENT DOCUMENTS**

D375,707 S \* 11/1996 Yang ..... D12/129  
D519,422 S \* 4/2006 Huang ..... D12/129  
7,267,359 B1 \* 9/2007 Yang ..... B62B 7/08  
280/47.34

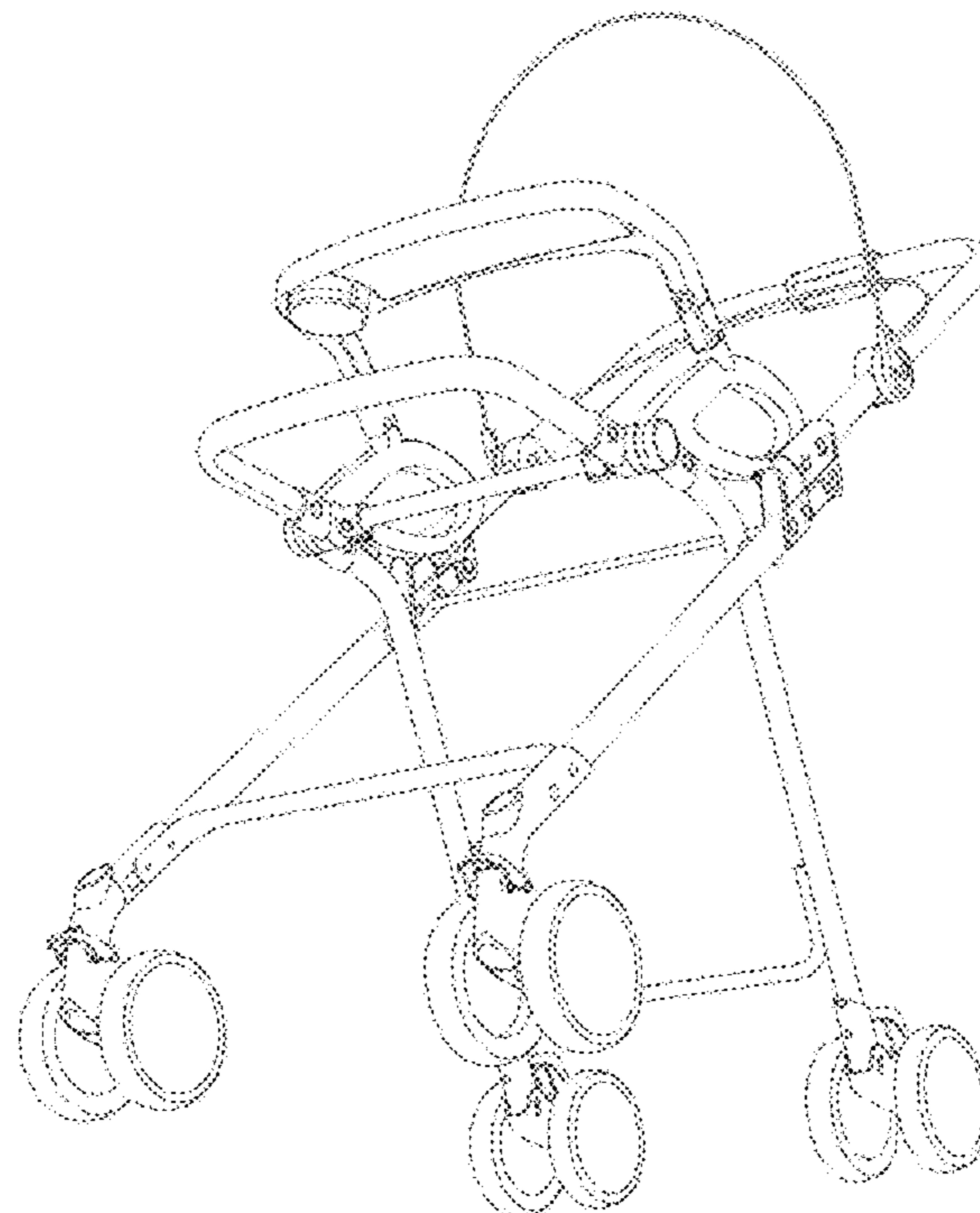
(57) **CLAIM**

The ornamental design for a stroller, as shown and described.

**DESCRIPTION**

FIG. 1 is a Front elevational view of a stroller showing my new design;  
FIG. 2 is a Rear elevational view thereof;  
FIG. 3 is a Left side view thereof;  
FIG. 4 is a Right side view thereof;  
FIG. 5 is a Top plan view thereof;  
FIG. 6 is a Bottom plan view thereof; and,  
FIG. 7 is a Perspective views thereof.

**1 Claim, 7 Drawing Sheets**



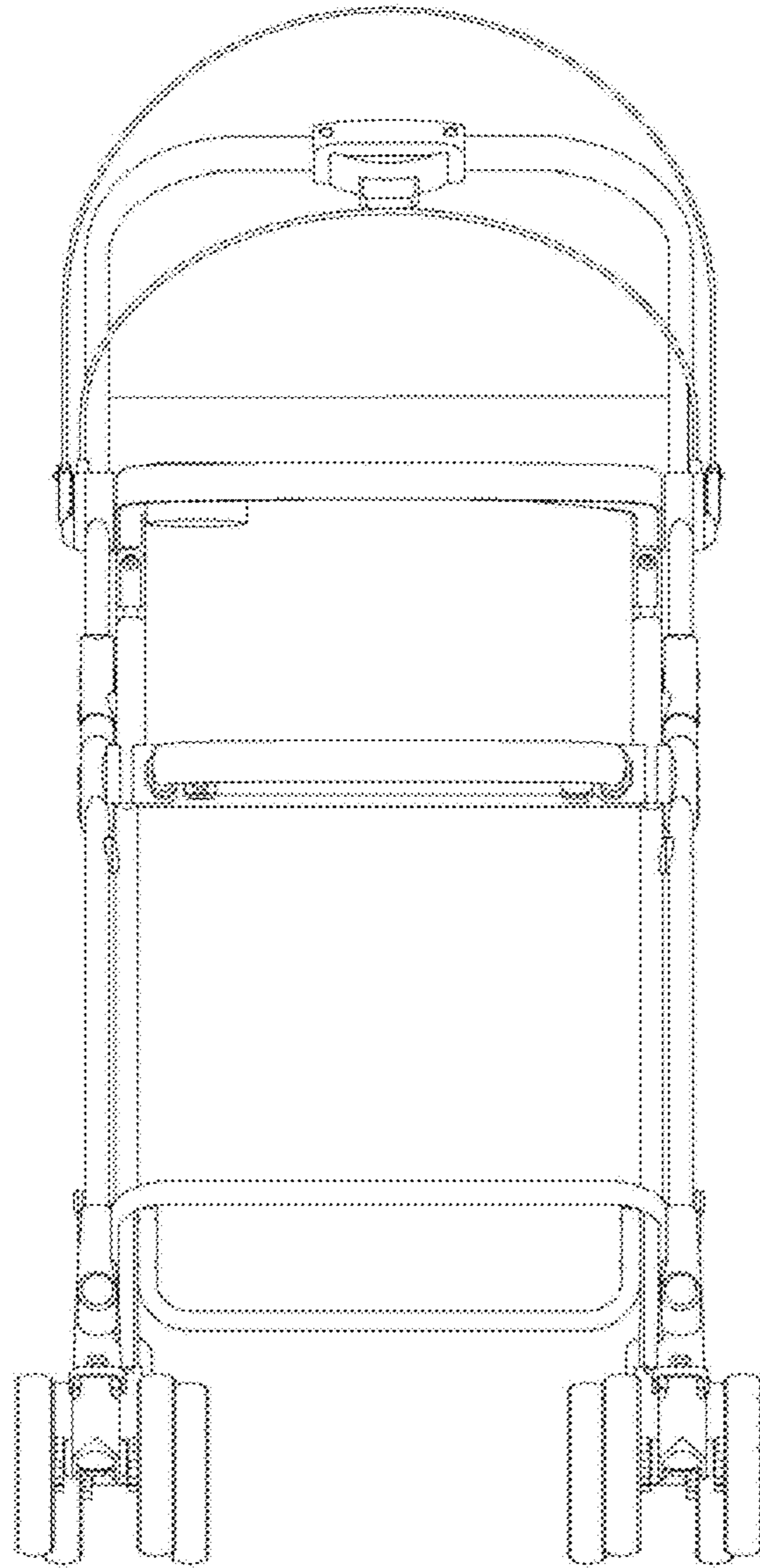


Fig. 1

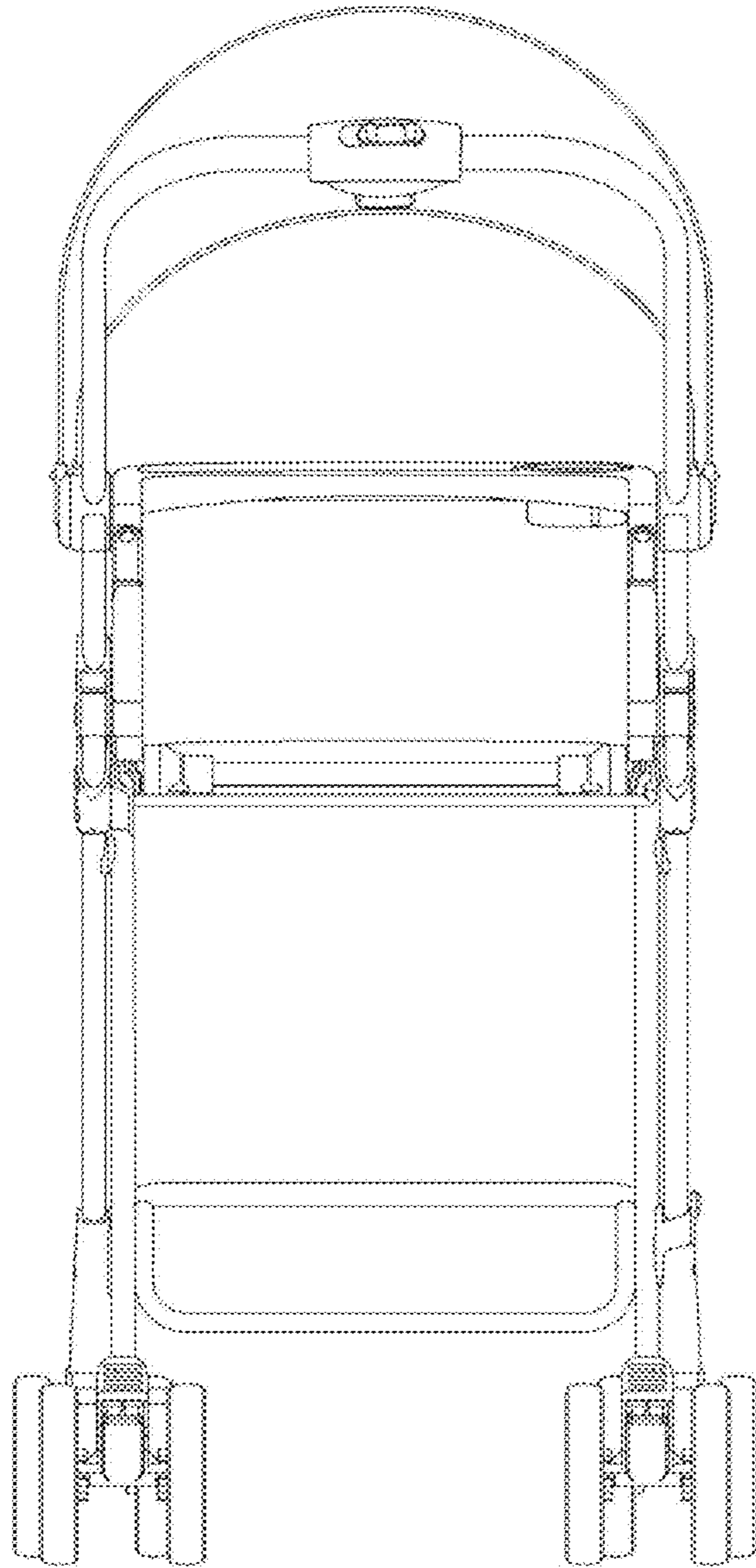


Fig.2

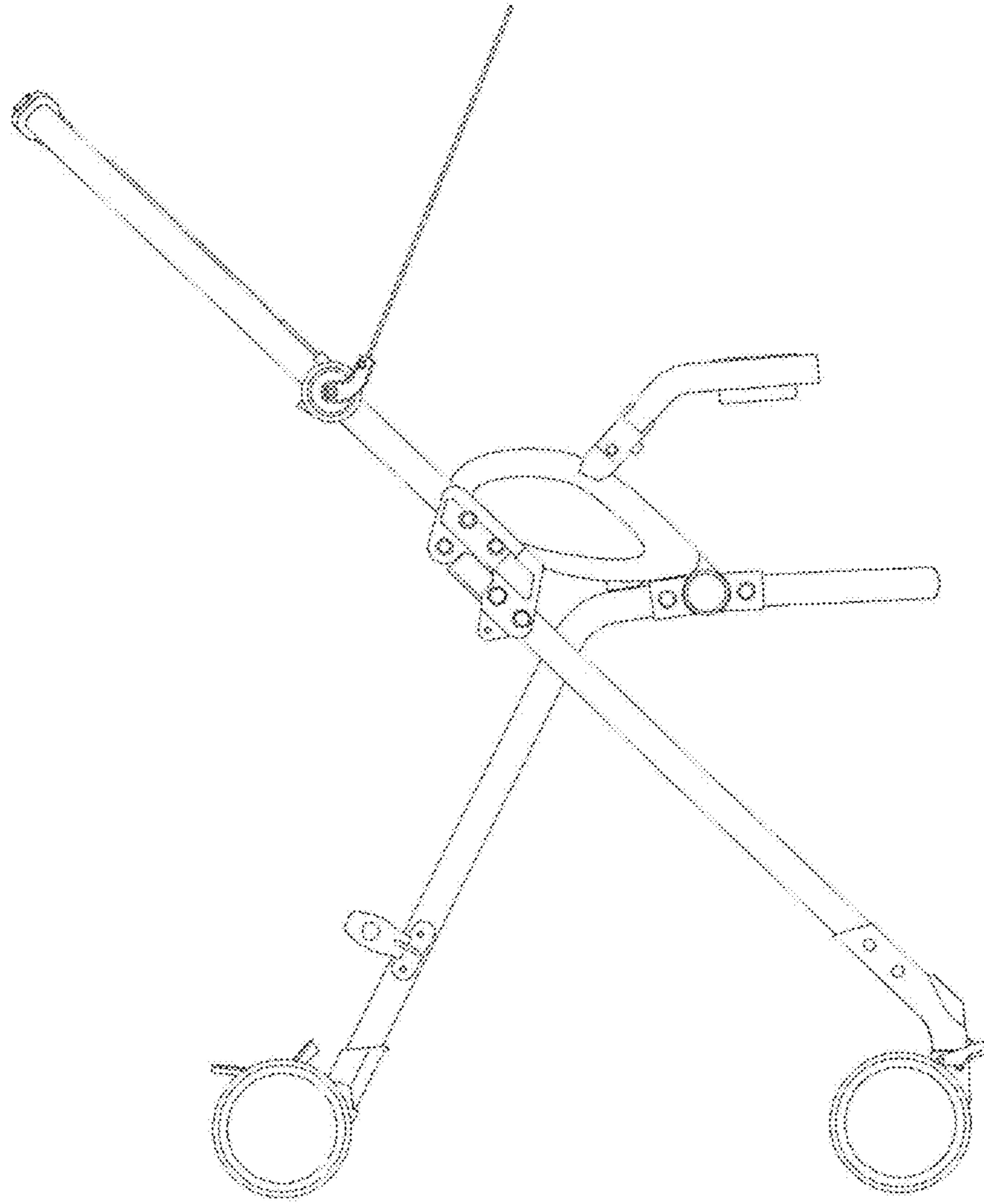


Fig.3

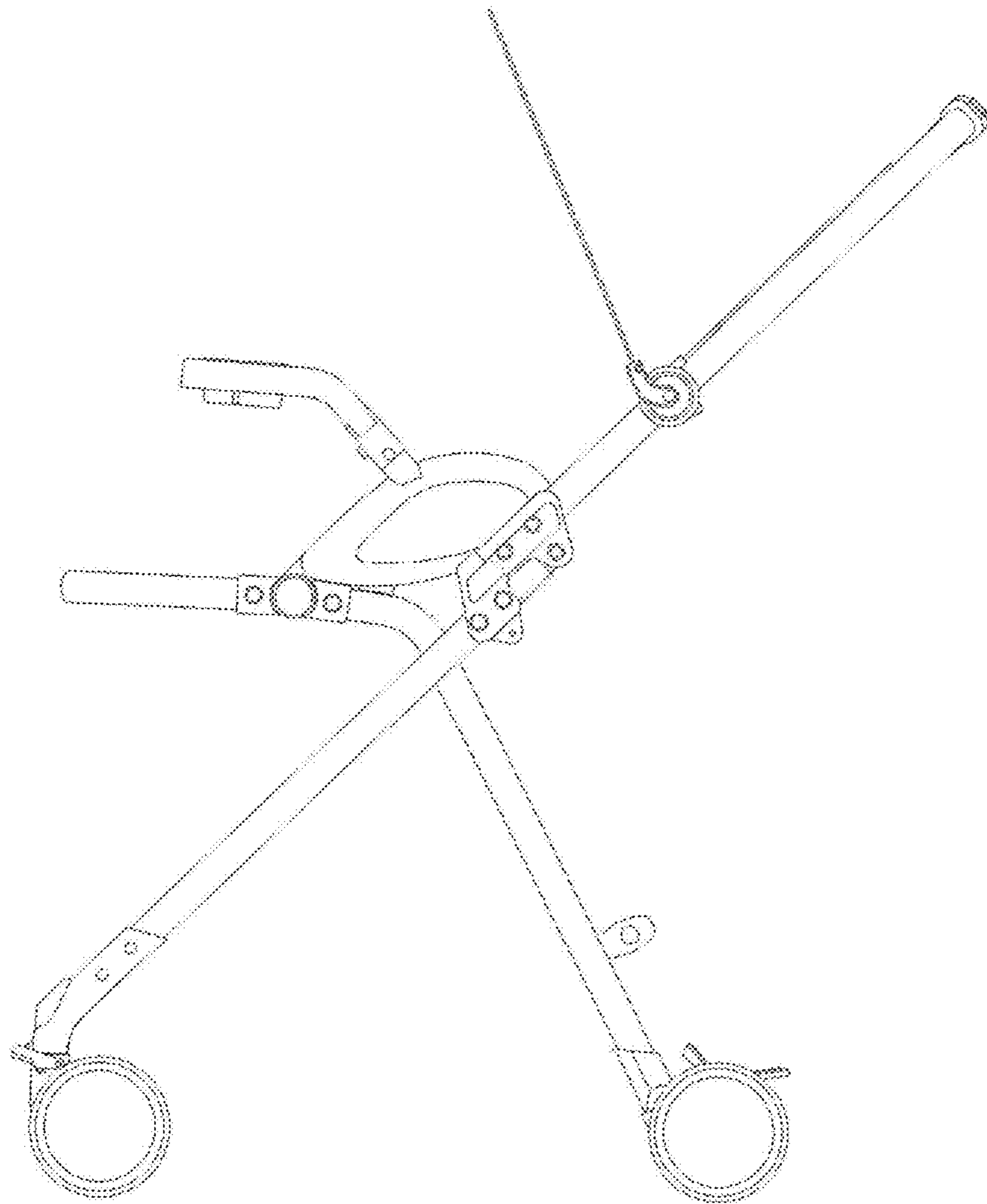


Fig.4

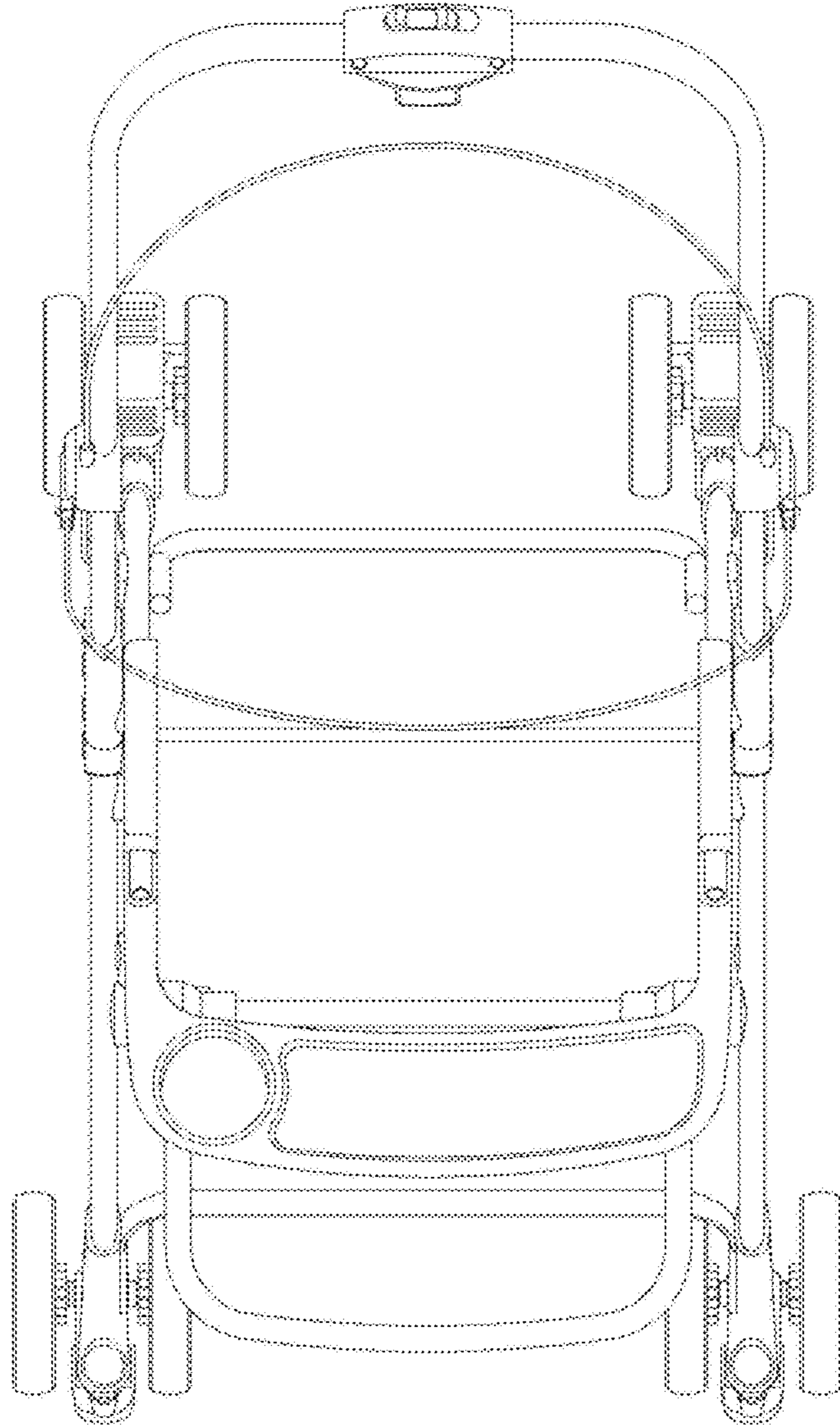


Fig.5

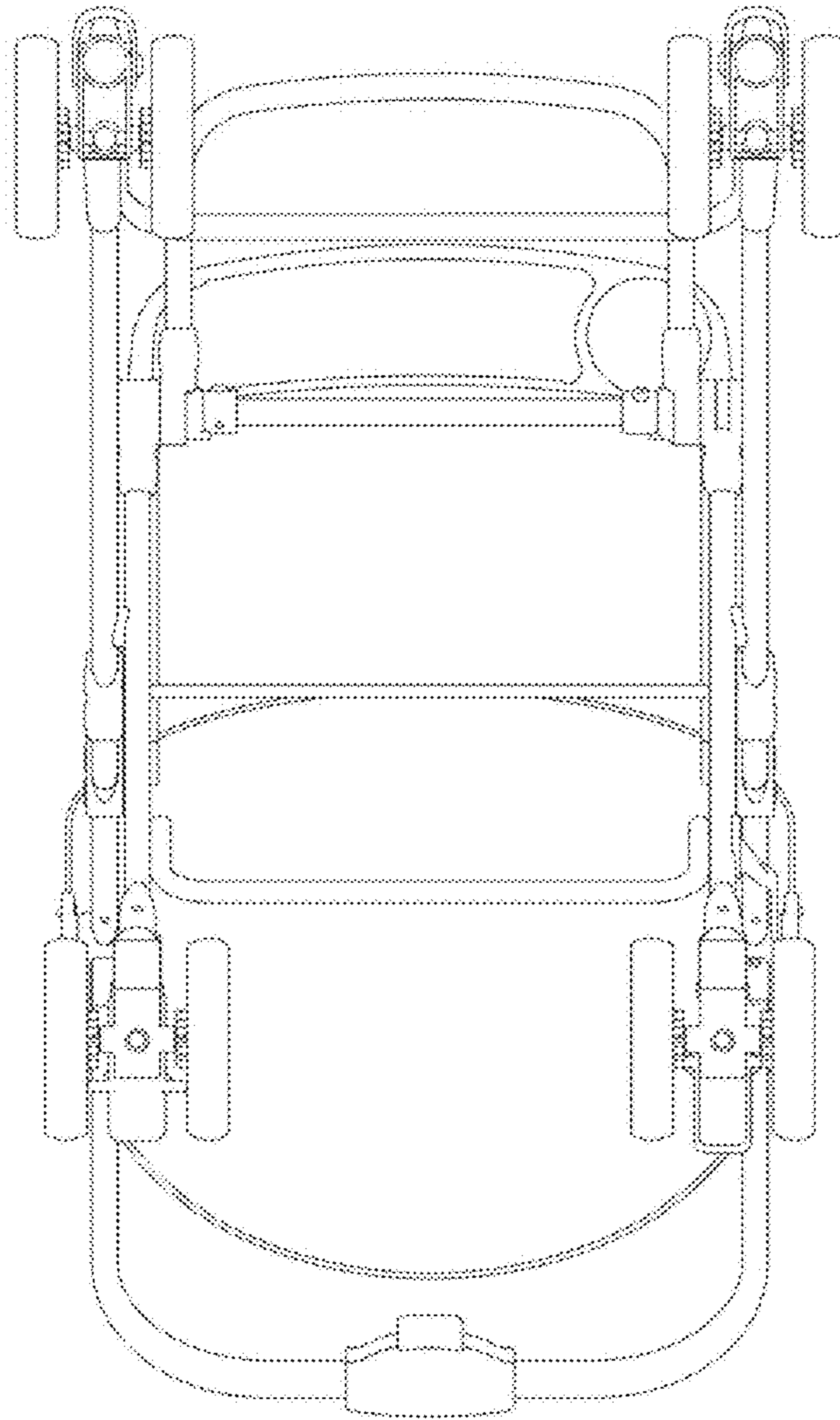


Fig.6

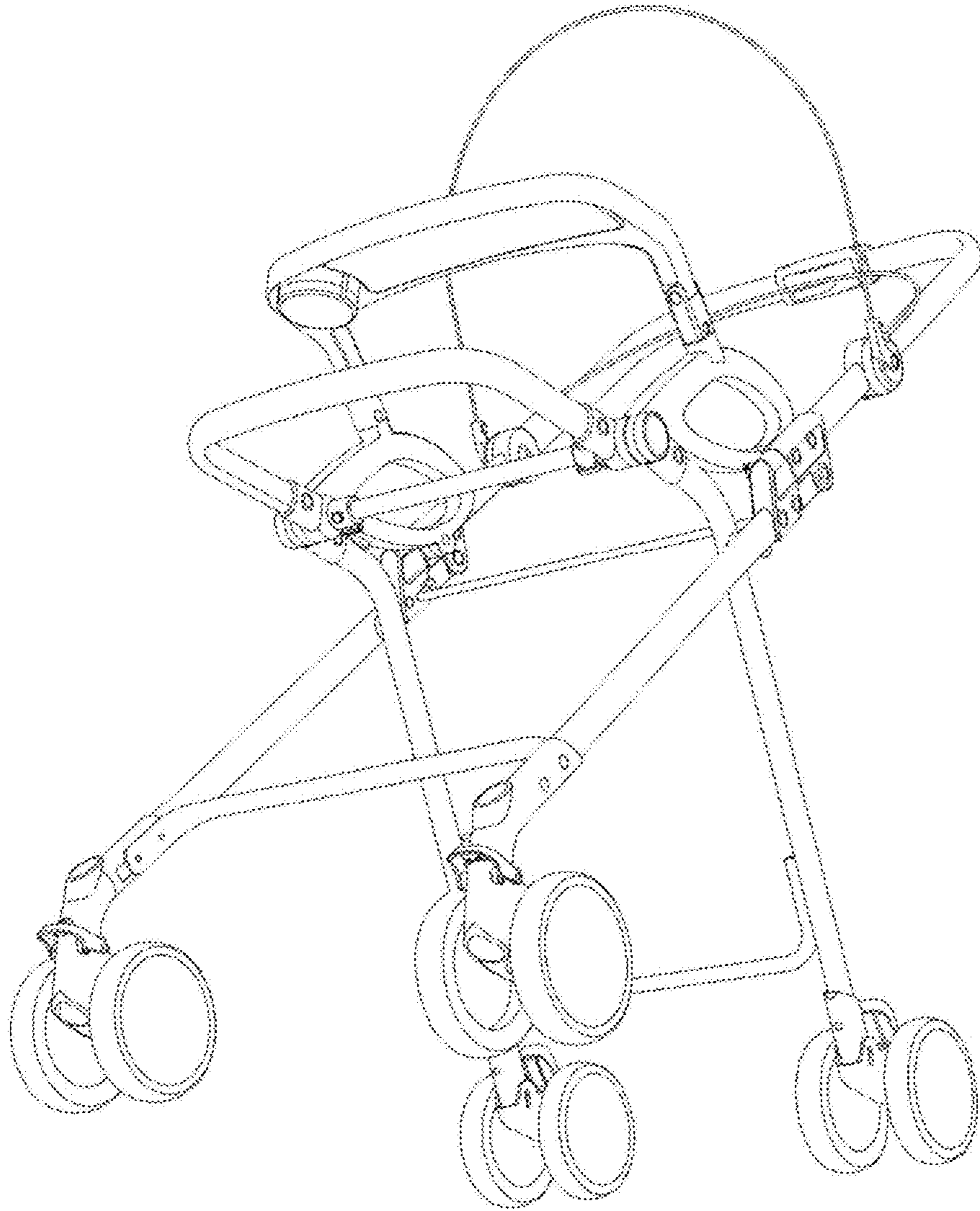


Fig. 7