



US00D841523S

(12) **United States Design Patent**
Ford

(10) **Patent No.:** **US D841,523 S**

(45) **Date of Patent:** **** Feb. 26, 2019**

(54) **SCOOTER RACK**

(71) Applicant: **Encat Pty Ltd**, Unanderra (AU)

(72) Inventor: **John Arthur Ford**, Yallah (AU)

(73) Assignee: **Encat Pty Ltd**, Unanderra (AU)

(**) Term: **15 Years**

(21) Appl. No.: **29/625,024**

(22) Filed: **Nov. 6, 2017**

(30) **Foreign Application Priority Data**

May 5, 2017 (AU) 201712687

(51) **LOC (11) Cl.** **12-11**

(52) **U.S. Cl.**
USPC **D12/115**

(58) **Field of Classification Search**
USPC D12/115, 120, 406, 407, 408, 317
CPC B62H 3/12; B62H 3/04; B62H 3/02
See application file for complete search history.

(56) **References Cited**

U.S. PATENT DOCUMENTS

D245,596 S *	8/1977	Cohen	D12/115
D249,035 S *	8/1978	Martin	D12/406
D256,009 S *	7/1980	Mendenhall	D12/406
D269,000 S *	5/1983	Girard	D12/115
D361,742 S *	8/1995	Matlaga	D12/115
D372,889 S *	8/1996	Fox	D12/115
D385,231 S *	10/1997	Skalka	D12/115
D425,573 S *	5/2000	Giesler	D21/423
D425,945 S *	5/2000	Giesler	D21/423
D449,256 S *	10/2001	Kopacz	D12/115
D479,818 S *	9/2003	Gladden, III	B62H 3/08 D12/115
D488,106 S *	4/2004	Birkmann	D12/115

D604,207 S *	11/2009	Selzer	D12/115
D655,237 S *	3/2012	Marankie	D12/406
D658,566 S *	5/2012	Gros	D12/406
D669,835 S *	10/2012	Gros	D12/317
D682,955 S *	5/2013	Stephan	D21/679
D686,968 S *	7/2013	Gasper	D12/317
D719,491 S *	12/2014	Rayl	D12/115
D774,423 S *	12/2016	Greenblatt	D12/115
D778,788 S *	2/2017	Tsai	D12/115
D796,387 S *	9/2017	Lee	D12/115

* cited by examiner

Primary Examiner — Michelle E. Wilson

Assistant Examiner — Clese Moore, Jr.

(74) *Attorney, Agent, or Firm* — Dascenzo Intellectual Property Law, P.C.; David S. D'Ascenzo

(57) **CLAIM**

The design for a scooter rack, as shown and described.

DESCRIPTION

FIG. 1 is an isometric view of a scooter rack showing the new design.

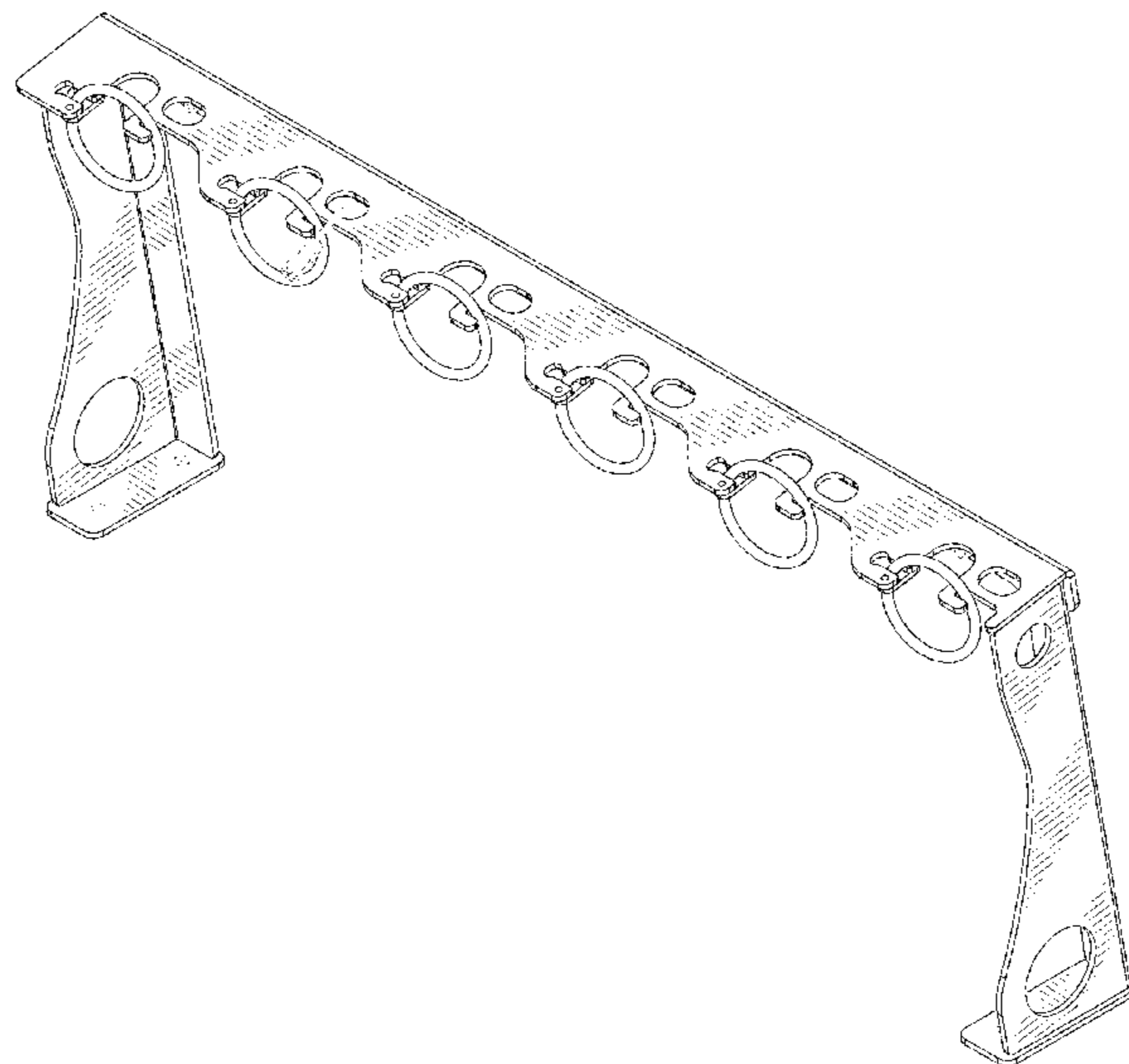
FIG. 2 is a front view of the design of FIG. 1, the rear view not forming part of the claimed design.

FIG. 3 is a right side view of the design of FIG. 1.

FIG. 4 is a left side view of the design of FIG. 1; and, FIG. 5 is a top view of the design of FIG. 1, the bottom view not forming part of the claimed design.

The shading lines shown in the drawings represent the three-dimensional contour of the presently claimed design and are not intended to indicate surface decoration. The dashed lines shown in the drawings indicate portions of the design that are not presently claimed and thus form no part of the presently claimed design.

1 Claim, 4 Drawing Sheets



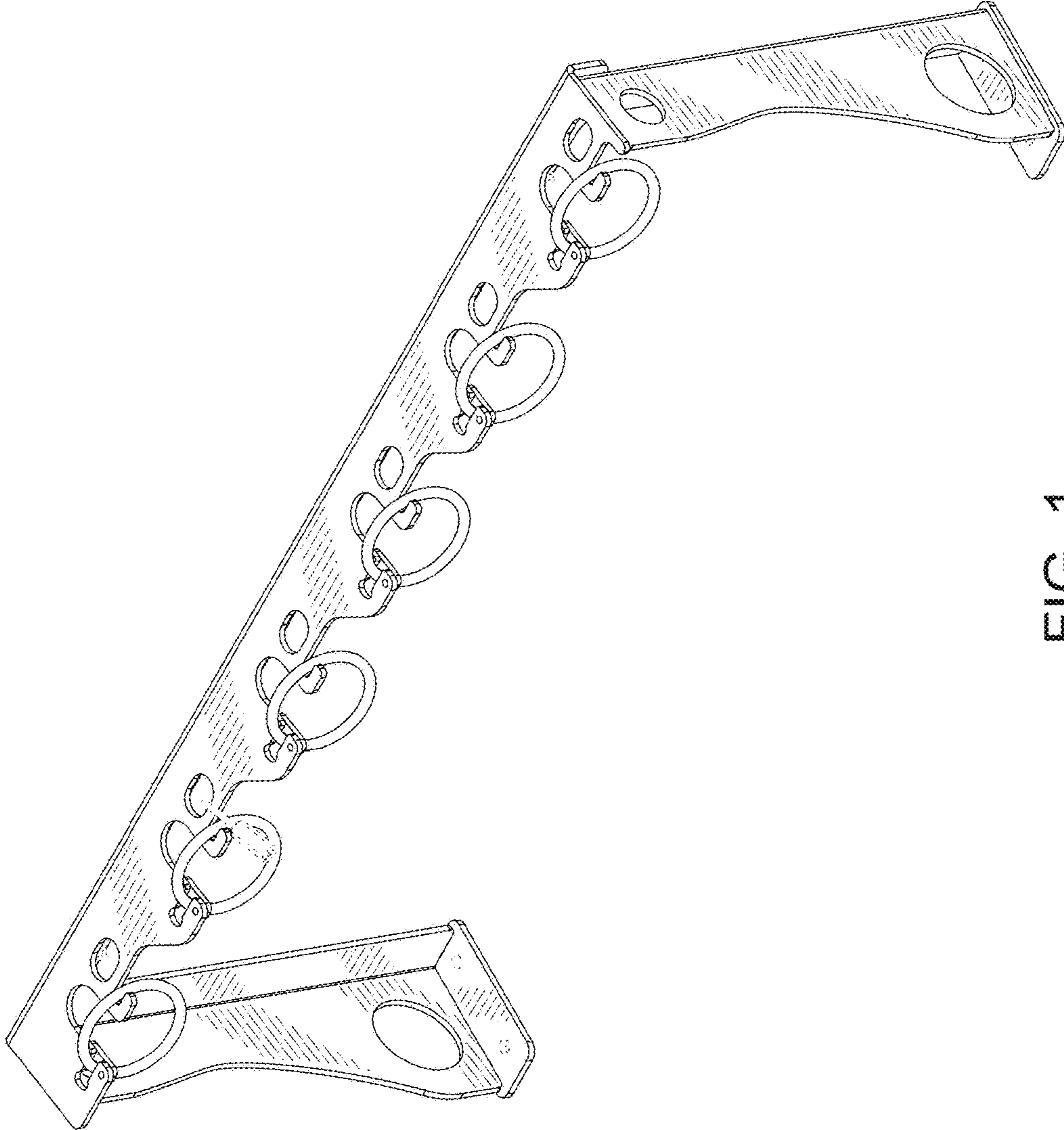


FIG. 1

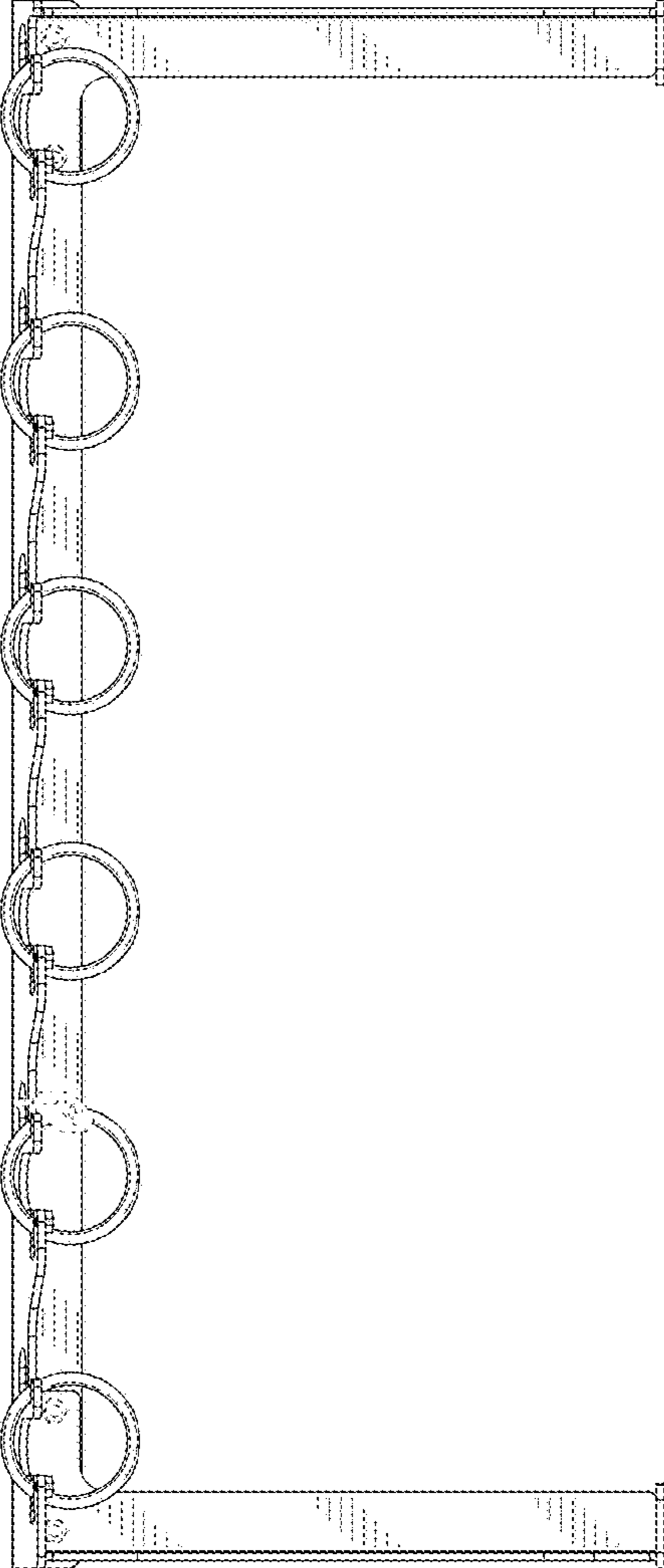


FIG. 2

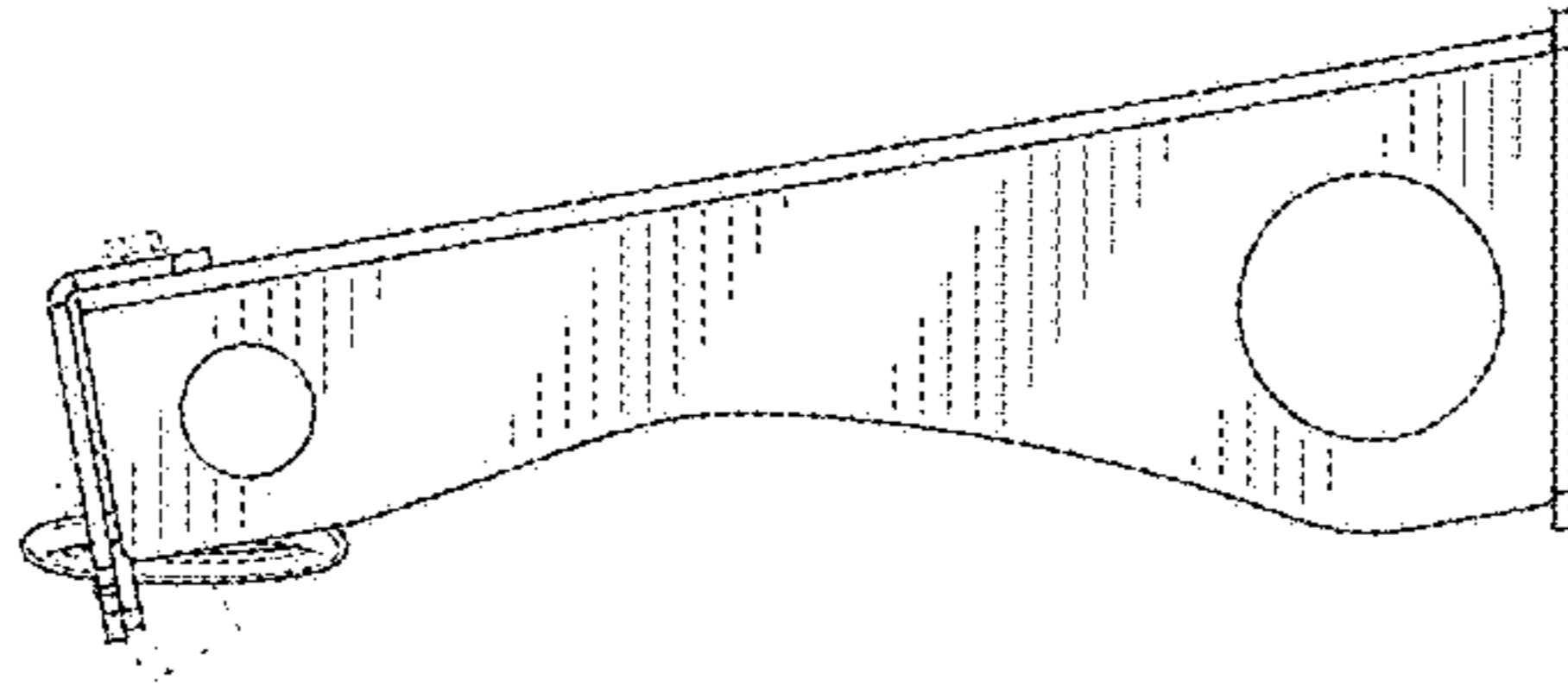


FIG. 4

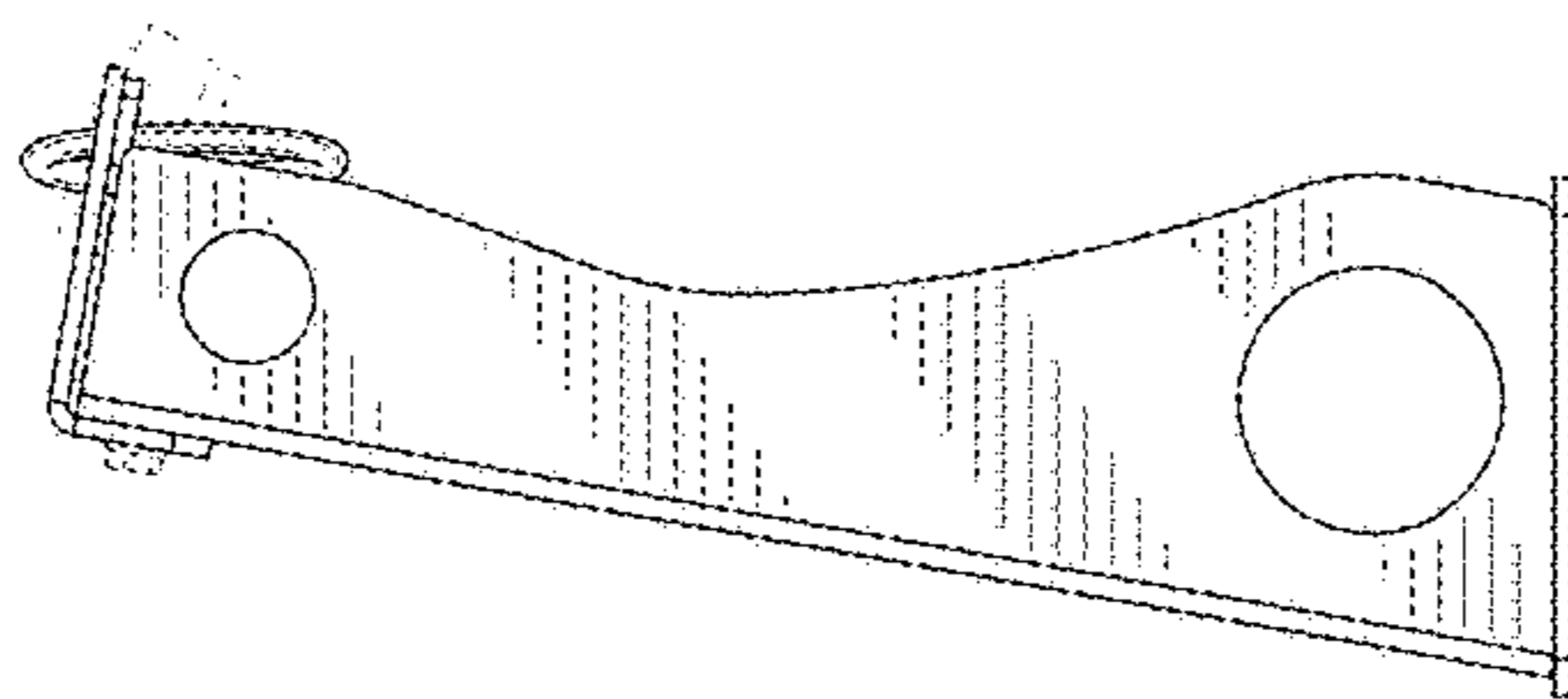


FIG. 3

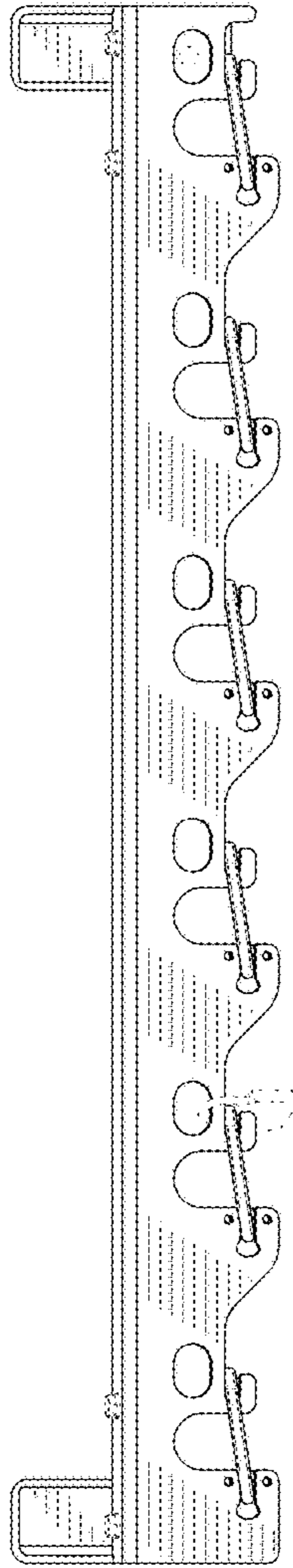


FIG. 5