



US00D841522S

(12) **United States Design Patent** (10) **Patent No.:** **US D841,522 S**
Aghjian et al. (45) **Date of Patent:** **** Feb. 26, 2019**

(54) **SUSPENSION ADJUSTER FOR A MOTORCYCLE**

(71) Applicant: **Harley-Davidson Motor Company Group, LLC**, Milwaukee, WI (US)

(72) Inventors: **Harrison Charles Aghjian**, Brookfield, WI (US); **Mark Christopher Hughes**, Waukesha, WI (US); **Kevin John Morris, Jr.**, New Berlin, WI (US); **Christopher G. Fecke**, Waukesha, WI (US); **Casey Ketterhagen**, Harland, WI (US); **Paul Kirk Rasmussen**, Delafield, WI (US); **Christopher L. Fiorini**, Elkhorn, WI (US)

D367,021 S * 2/1996 Camfield D12/114
D376,775 S * 12/1996 Fang D12/114
D403,992 S * 1/1999 D'Aluisio D12/118
D412,466 S * 8/1999 Jones D12/126
D440,190 S * 4/2001 Buell D12/114
D470,801 S * 2/2003 Golden D12/126
D491,112 S * 6/2004 Francis D12/126
D547,243 S * 7/2007 Matsumura D12/118
D549,622 S * 8/2007 Madden D12/126
D554,026 S * 10/2007 Francis D12/126
D556,096 S * 11/2007 Long D12/126
D564,420 S * 3/2008 Devlin D12/126
D570,746 S * 6/2008 Arndt D12/126
D655,649 S * 3/2012 Kudo D12/126
D776,018 S * 1/2017 Kiska D12/126

* cited by examiner

(73) Assignee: **Harley-Davidson Motor Company Group, LLC**, Milwaukee, WI (US)

Primary Examiner — Michelle E. Wilson
Assistant Examiner — Clese Moore, Jr.
(74) *Attorney, Agent, or Firm* — Michael Best & Friedrich LLP

(**) Term: **15 Years**

(21) Appl. No.: **29/614,659**

(57) **CLAIM**

We claim the ornamental design for a suspension adjuster for a motorcycle, as shown and described.

(22) Filed: **Aug. 22, 2017**

DESCRIPTION

(51) **LOC (11) Cl.** **12-11**

(52) **U.S. Cl.**
USPC **D12/114**

(58) **Field of Classification Search**
USPC D12/114, 110, 117, 118, 126, 127, 223
CPC B62K 25/283; B62K 25/30; B62K 2025/042; B62K 2025/044; B62K 2025/045

See application file for complete search history.

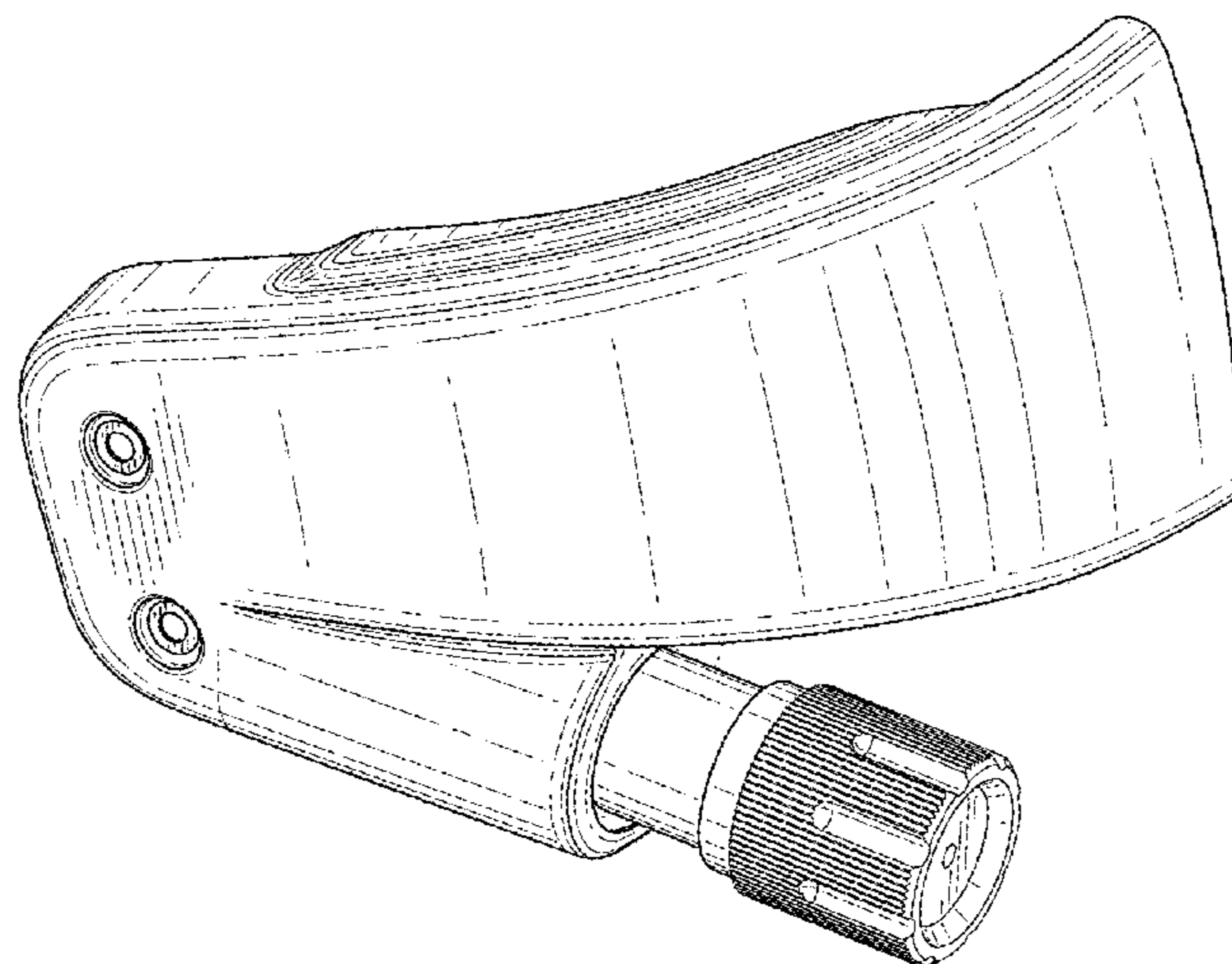
FIG. 1 is a perspective view of a suspension adjuster for a motorcycle;
FIG. 2 is a front view thereof;
FIG. 3 is a rear view thereof;
FIG. 4 is a right side view thereof;
FIG. 5 is a left side view thereof;
FIG. 6 is a top view thereof;
FIG. 7 is a bottom view thereof; and,
FIG. 8 is a front view thereof positioned on a motorcycle.
The broken lines shown illustrate portions of the suspension adjuster for a motorcycle and environment that form no part of the claimed design.

(56) **References Cited**

U.S. PATENT DOCUMENTS

D341,343 S * 11/1993 Netz D12/126
D347,810 S * 6/1994 Matthies D12/126
D349,266 S * 8/1994 Rudd D12/117

1 Claim, 8 Drawing Sheets



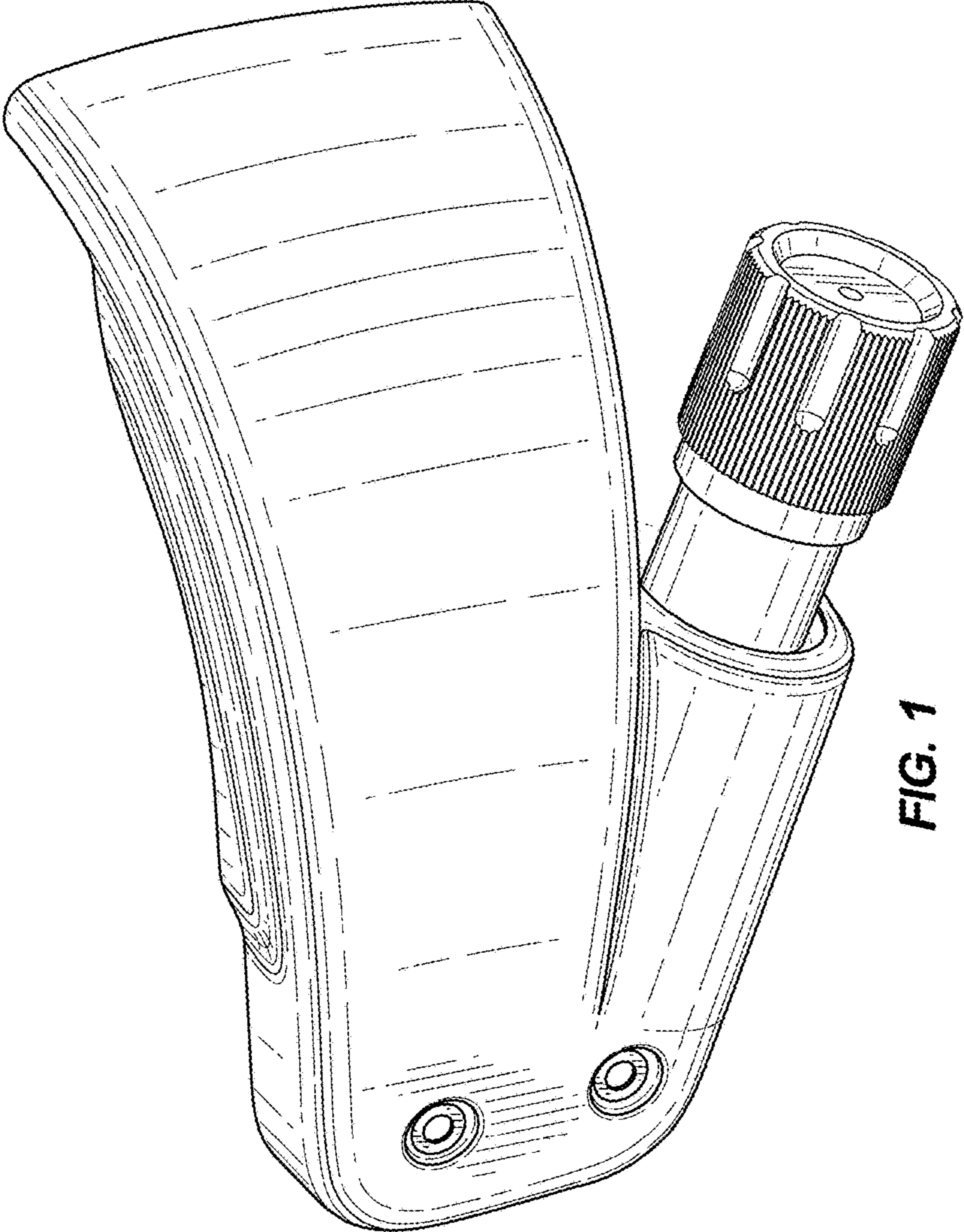


FIG. 1

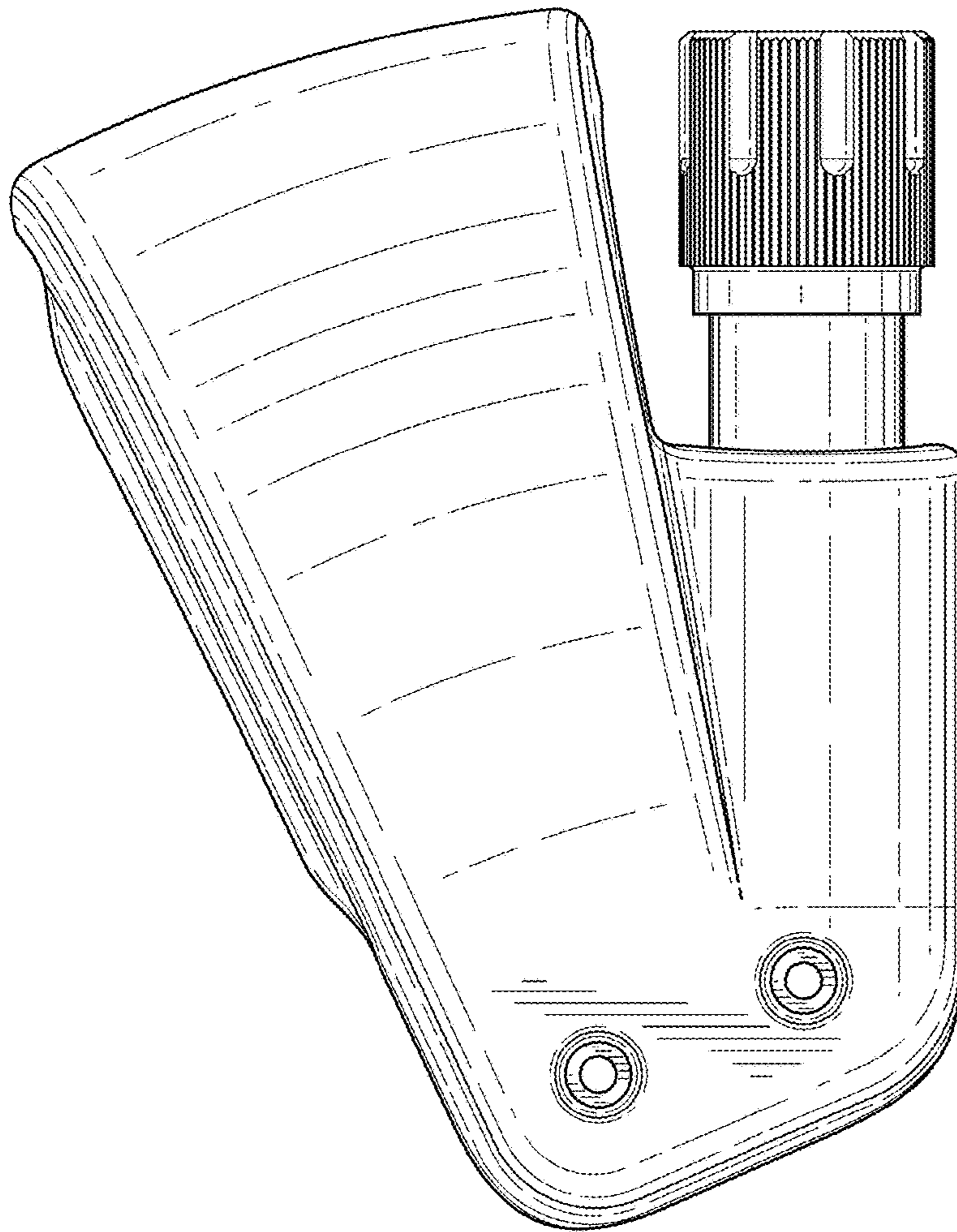


FIG. 2

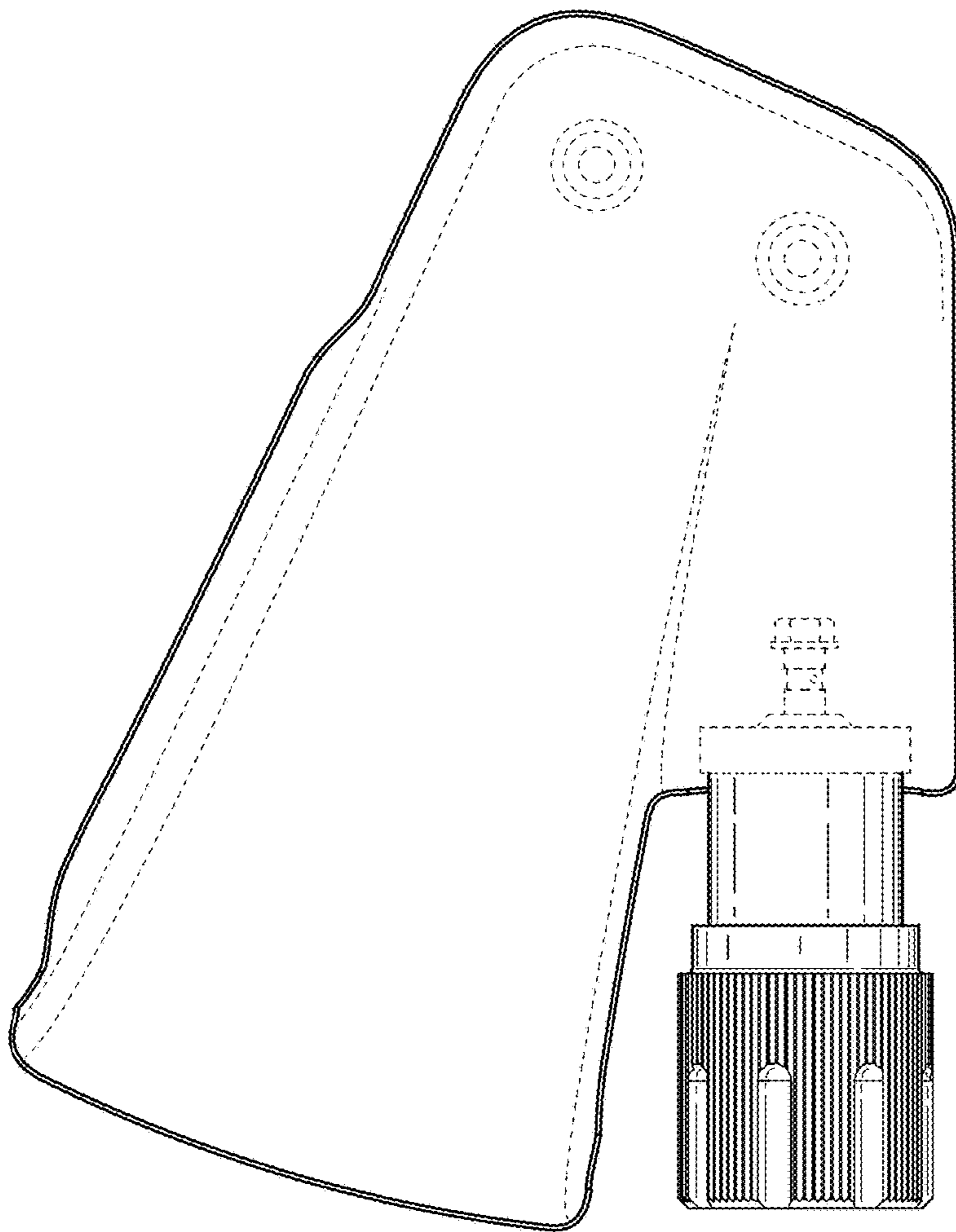


FIG. 3

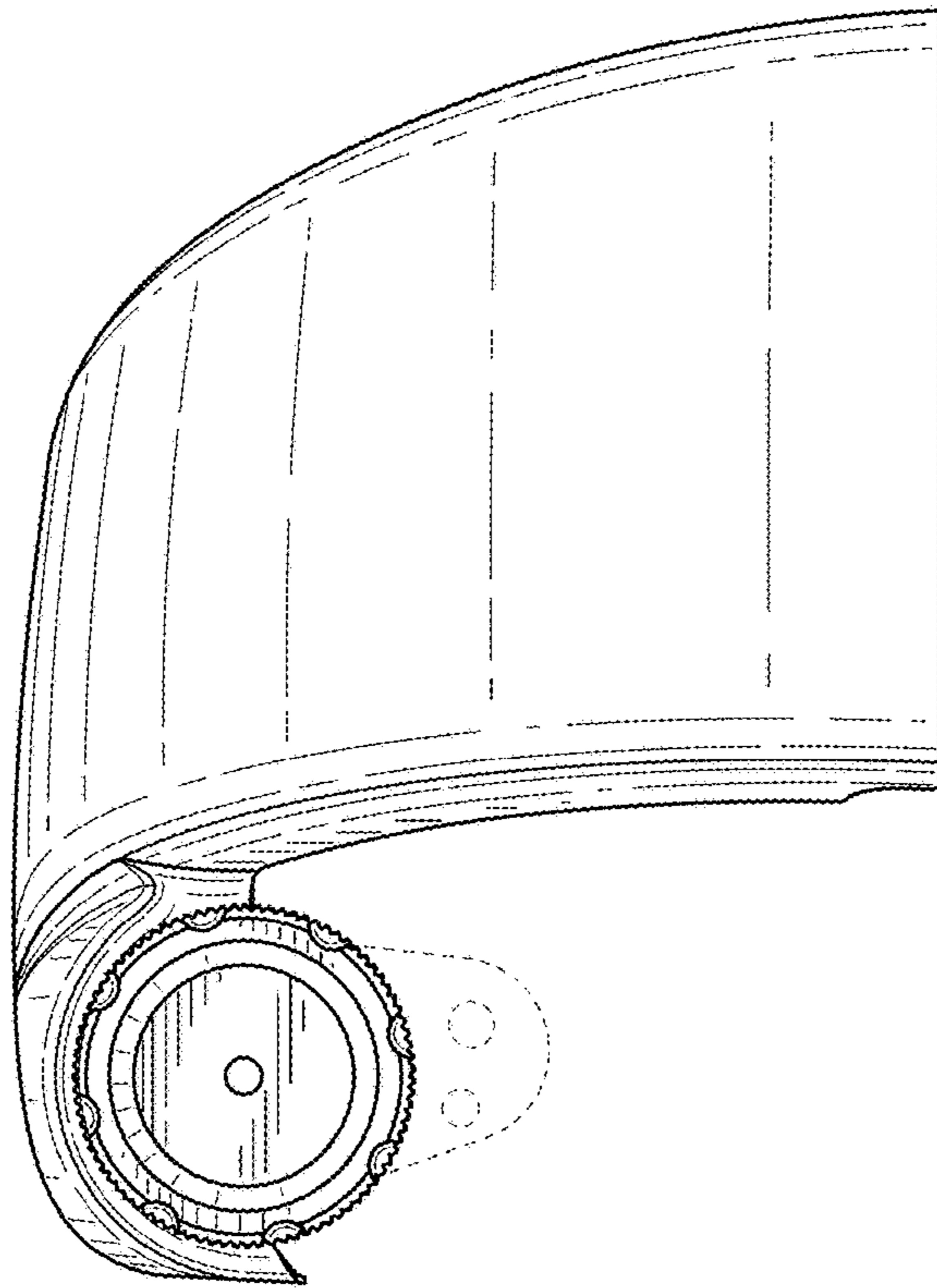


FIG. 4

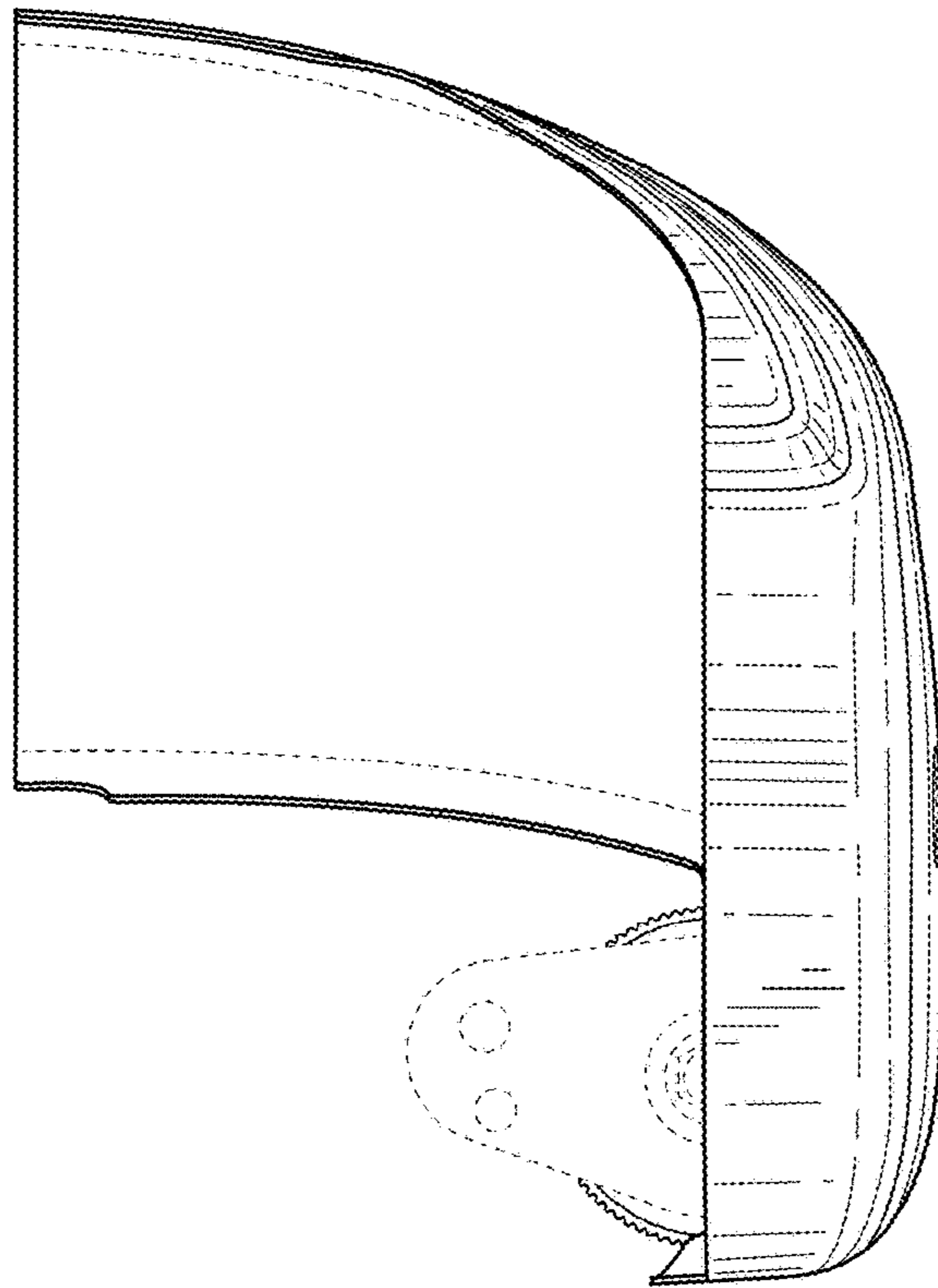


FIG. 5

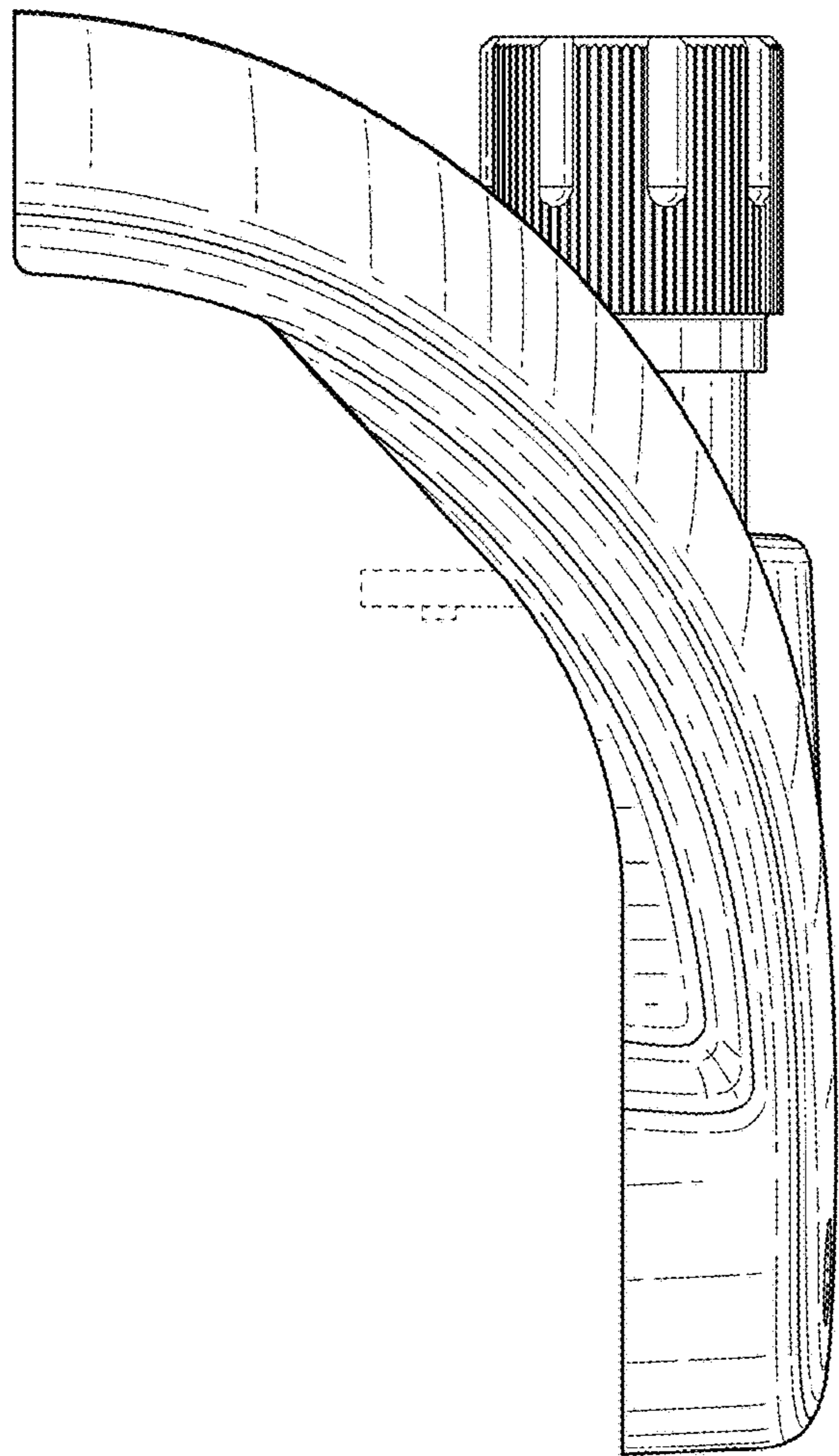


FIG. 6

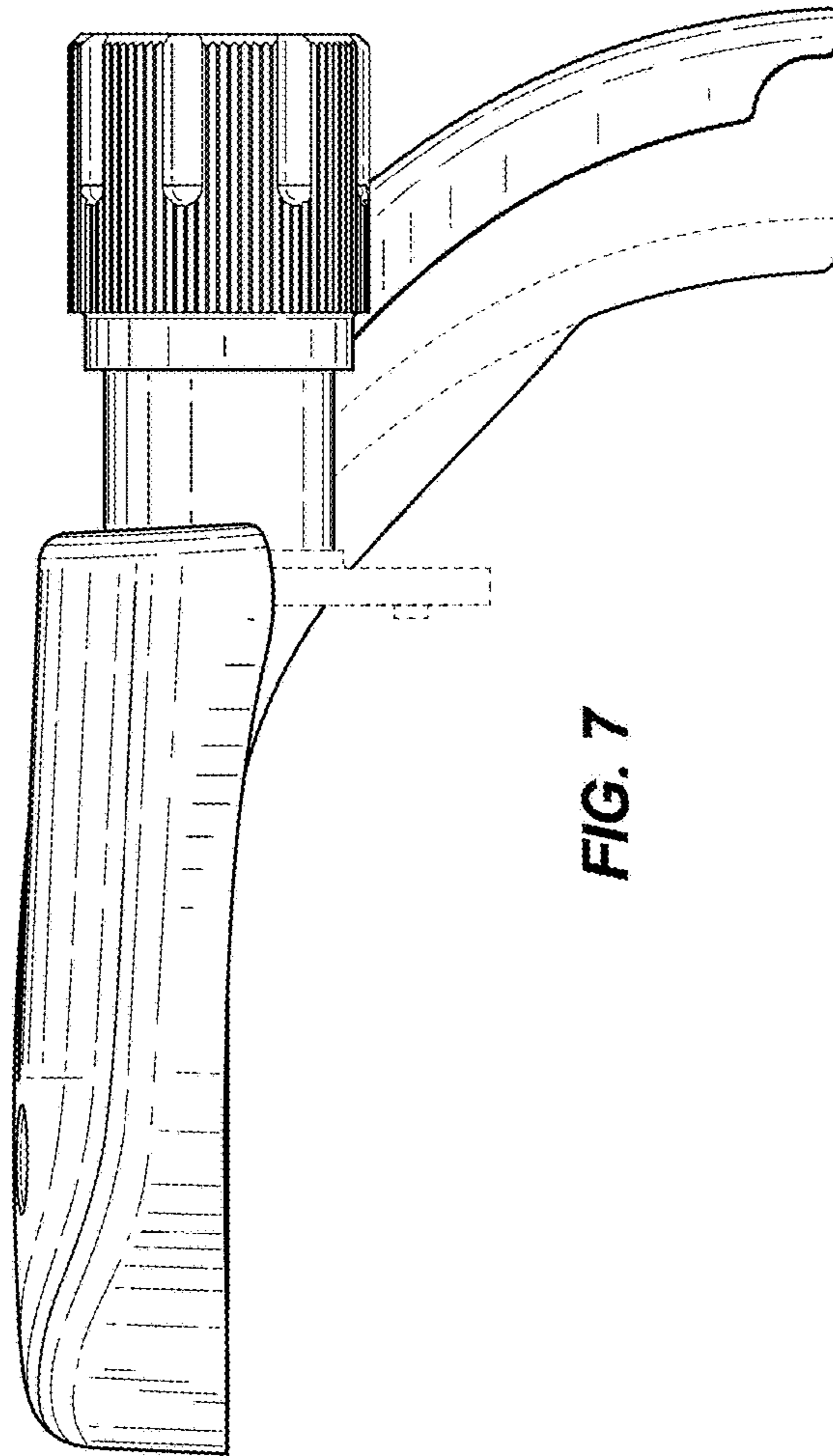


FIG. 7

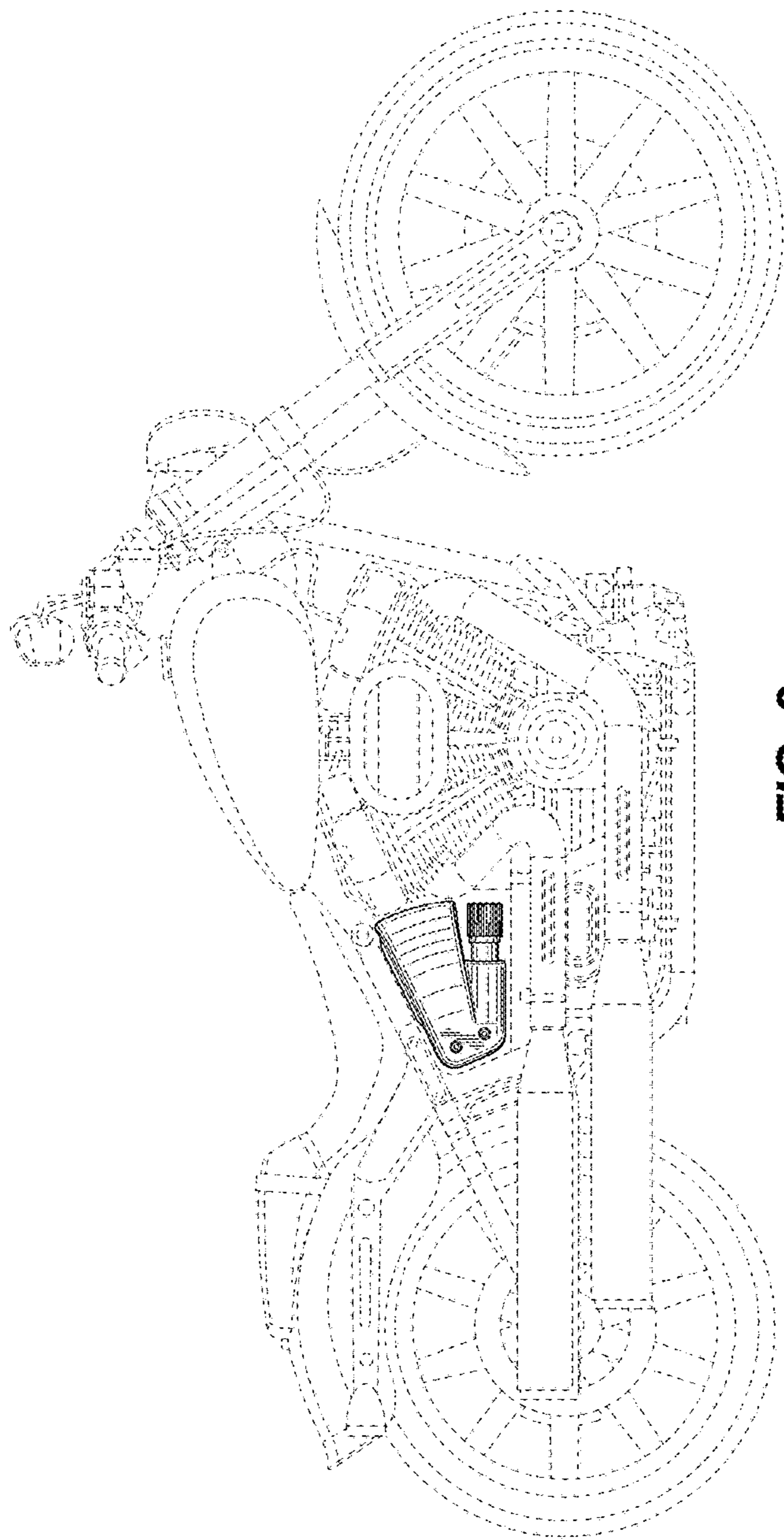


FIG. 8