



US00D841517S

(12) **United States Design Patent**
LaCroix

(10) **Patent No.:** **US D841,517 S**

(45) **Date of Patent:** **** Feb. 26, 2019**

(54) **CLEANING SHOE FOR SCRAPING RAIL WHEELS**

(71) Applicant: **Kelso Technologies Inc.**, North Delta (CA)

(72) Inventor: **Barry LaCroix**, North Delta (CA)

(**) Term: **15 Years**

(21) Appl. No.: **29/590,211**

(22) Filed: **Jan. 9, 2017**

(51) **LOC (11) Cl.** **12-03**

(52) **U.S. Cl.**
USPC **D12/49**

(58) **Field of Classification Search**
USPC D12/36, 42, 48, 49, 50, 51, 223; D32/39, D32/40, 42, 46, 47
CPC B60S 3/042; B60S 3/006; B60S 3/008; B61K 13/00; B61K 7/04
See application file for complete search history.

(56) **References Cited**

U.S. PATENT DOCUMENTS

D213,906 S * 4/1969 Moore et al. D32/47
4,003,451 A * 1/1977 Torok B61K 7/04
188/250 B

5,501,418 A * 3/1996 Humphrey E01B 7/02
246/453
7,028,366 B2 * 4/2006 Brozoska E04F 21/06
15/235.4
D721,989 S * 2/2015 Behrens D12/49
9,809,950 B2 * 11/2017 Zimmerman E02F 3/8152
2017/0130422 A1 * 5/2017 Zimmerman E02F 3/8152
2018/0186343 A1 * 7/2018 LaCroix B60S 3/006

* cited by examiner

Primary Examiner — T Chase Nelson

Assistant Examiner — Ania Aman

(74) *Attorney, Agent, or Firm* — Ridout & Maybee LLP

(57) **CLAIM**

The ornamental design for a cleaning shoe for scraping rail wheels, as shown and described.

DESCRIPTION

FIG. 1 is a top front left perspective view of the cleaning shoe for scraping rail wheels.
FIG. 2 is a top end view thereof.
FIG. 3 is a front elevation view thereof.
FIG. 4 is a rear elevation view thereof; and,
FIG. 5 is a right side elevation view thereof.

1 Claim, 2 Drawing Sheets

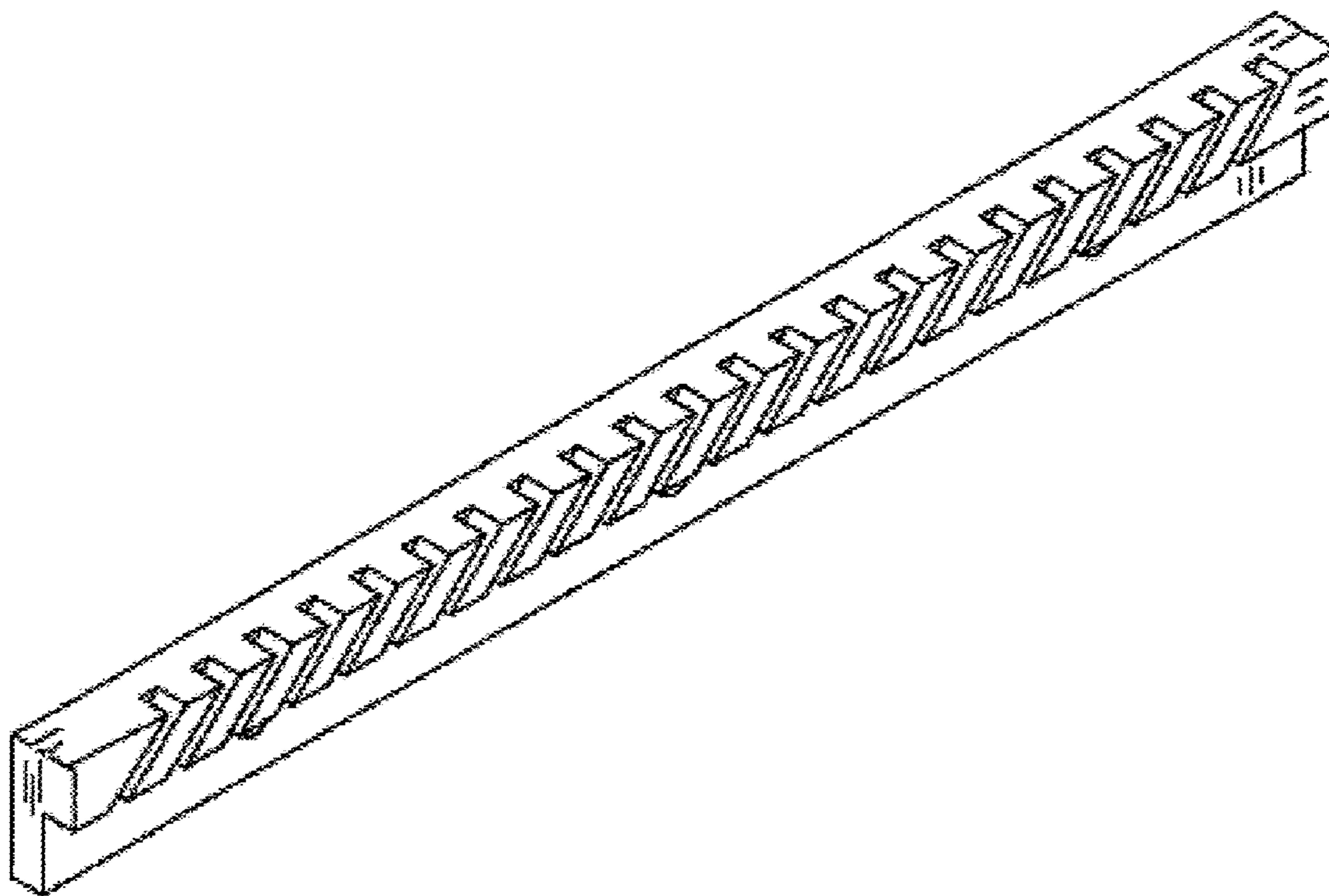


Figure 1

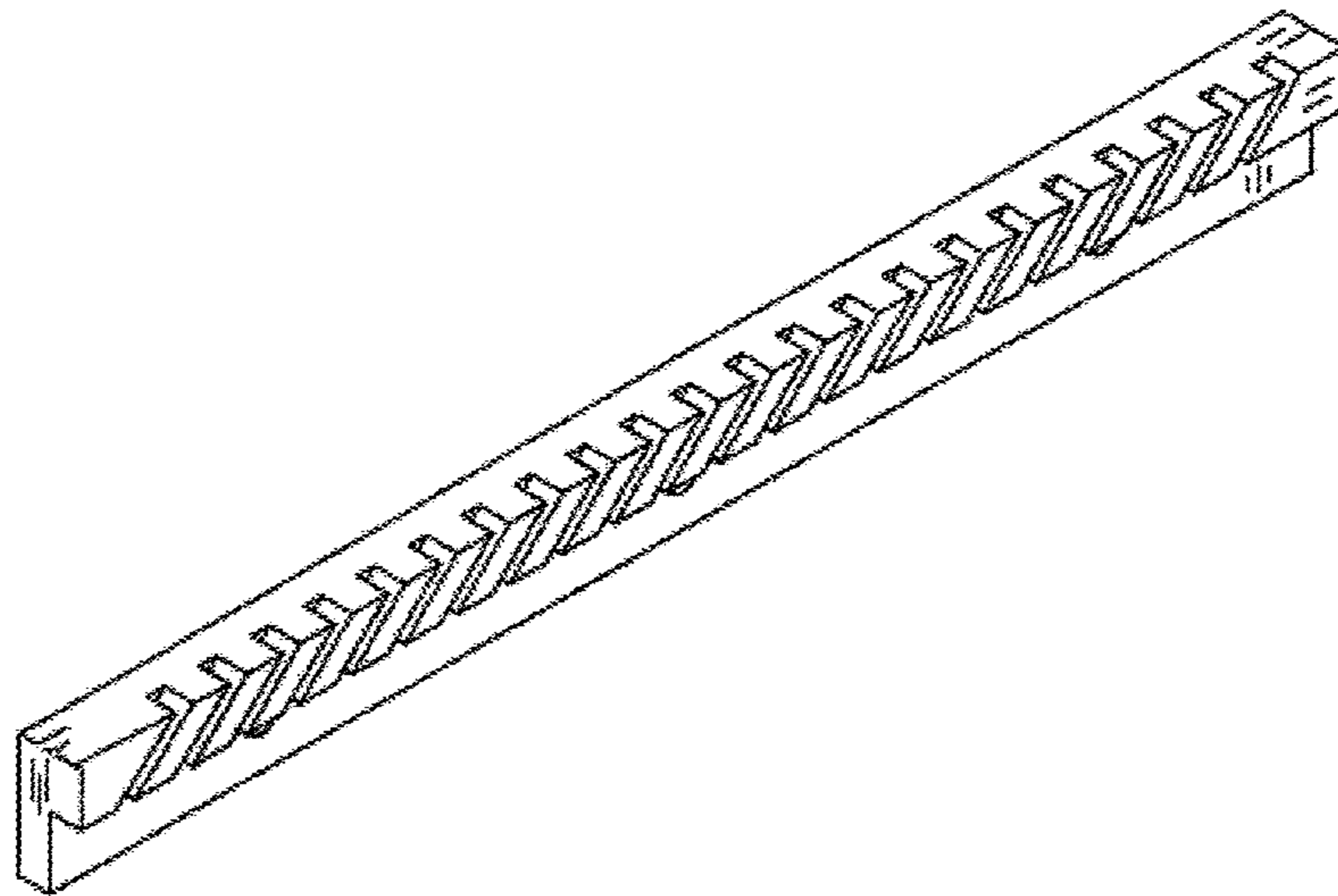


Figure 2



Figure 3

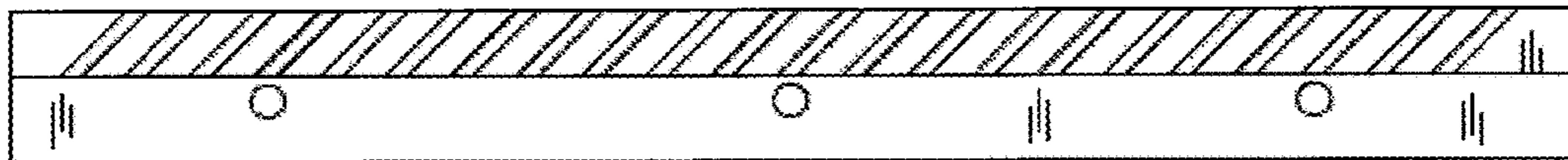


Figure 4

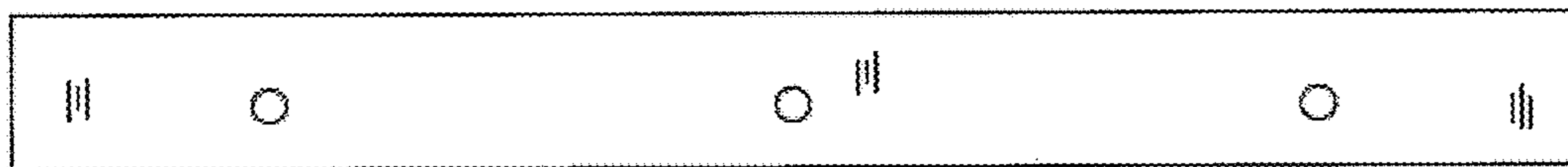


Figure 5

