

US00D841516S

(12) **United States Design Patent** (10) **Patent No.:** **US D841,516 S**
Khamenian et al. (45) **Date of Patent:** **** Feb. 26, 2019**

(54) **SELF-BALANCING TWO-WHEELED SCOOTER**

2207/04; B62K 3/007; B62K 17/00;
B62K 11/007; B60N 2/002; B60G 17/019
See application file for complete search history.

(71) Applicant: **Cutting Edge Products, LLC**, Newport Beach, CA (US)

(56) **References Cited**

(72) Inventors: **Babek Khamenian**, Irvine, CA (US);
Jason Ivey, Irvine, CA (US); **Daniel Bryan Laird Edney**, Irvine, CA (US)

U.S. PATENT DOCUMENTS

(73) Assignee: **Cutting Edge Products LLC**, Newport Beach, CA (US)

4,065,146 A * 12/1977 Denzer B62K 3/002
280/221
8,365,850 B2 * 2/2013 Gal B62B 5/0026
180/65.1
8,573,338 B2 * 11/2013 Gal B62B 5/0026
180/65.1
D737,723 S 9/2015 Ying et al.
9,339,431 B2 * 5/2016 Menard A61H 3/04
9,469,322 B2 * 10/2016 Du Toit B62B 5/0033
D794,896 S * 8/2017 Liao D34/15
D812,837 S * 3/2018 Herrick D34/15

(**) Term: **15 Years**

(Continued)

(21) Appl. No.: **29/601,285**

FOREIGN PATENT DOCUMENTS

(22) Filed: **Apr. 20, 2017**

CN 303683320 S 5/2016
EM 002802868-0001 11/2015

Related U.S. Application Data

(62) Division of application No. 29/547,900, filed on Dec. 8, 2015, now Pat. No. Des. 787,982.

(51) **LOC (11) Cl.** **12-14**

(52) **U.S. Cl.**

USPC **D12/1; D21/763**

(58) **Field of Classification Search**

USPC D12/1; D21/419, 763, 421, 423, 426,
D21/760, 765, 766, 769, 771, 776, 803
CPC A63C 17/01; A63C 17/12; A63C 2203/00;
A63C 2203/01; A63C 2203/012; A63C
2203/013; A63C 2203/40; A63C 2203/52;
A63C 17/0033; A63C 17/016; A63C
17/08; B62D 51/02; B62D 51/001; B62D
61/00; B62D 37/00; B62K 2202/00;
B62K 2207/00; B62K 2207/02; B62K

OTHER PUBLICATIONS

Search Report, Taiwan Design Application No. 105303169, dated Feb. 24, 2017, 4 pages.

Primary Examiner — T Chase Nelson

Assistant Examiner — Ania Aman

(74) *Attorney, Agent, or Firm* — Mauriel Kapouytian Woods LLP; Serge Krimnus

(57) **CLAIM**

The ornamental design for a self-balancing two-wheeled scooter, as shown and described.

DESCRIPTION

FIG. 1 is a top, front, right side perspective view of a self-balancing two-wheeled scooter showing our new design.

(Continued)

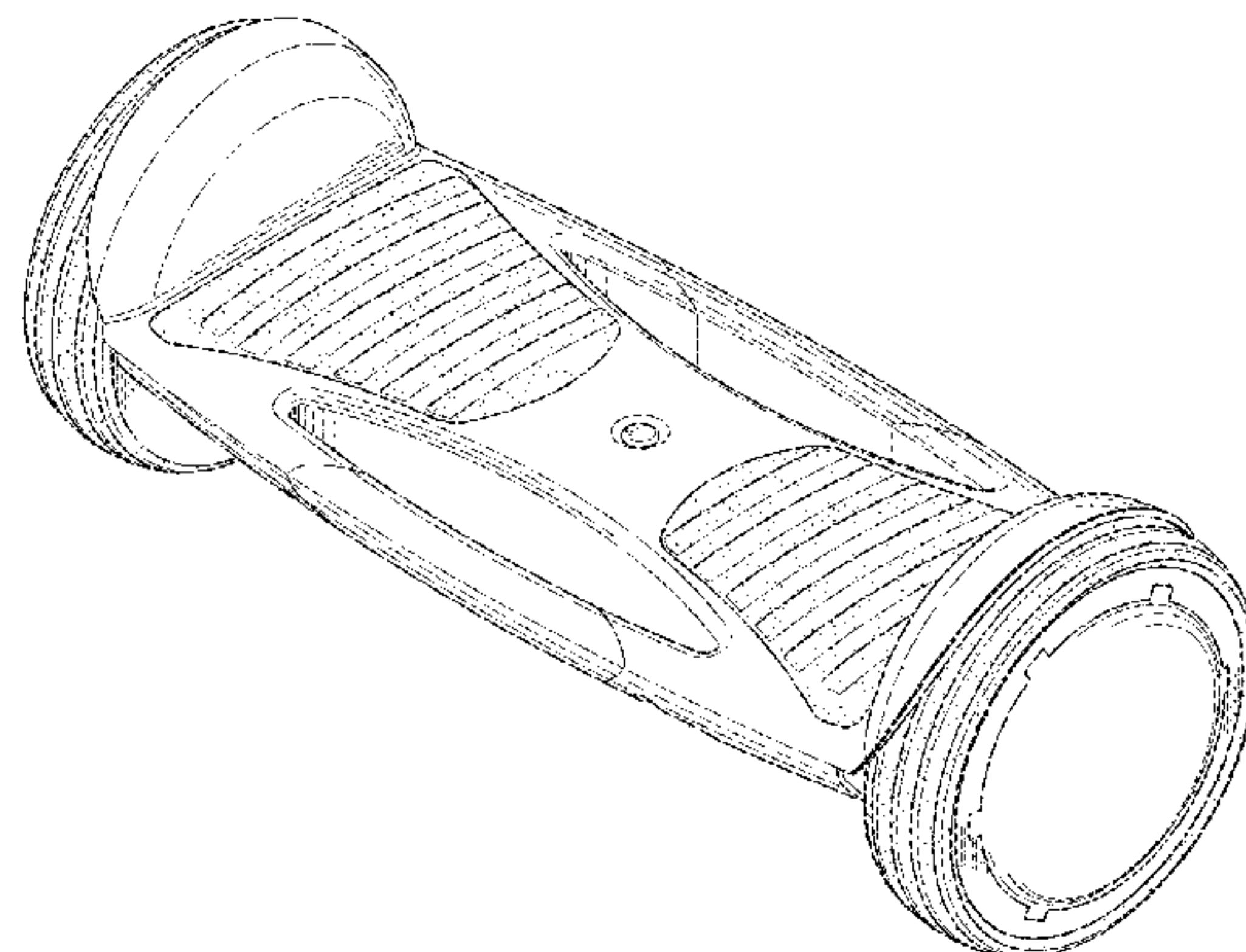


FIG. 2 is a front elevation view, the rear elevation view being a mirror image.

FIG. 3 is a left side elevation view, the right side elevation view being a mirror image.

FIG. 4 is a top plan view; and,

FIG. 5 is a bottom plan view.

1 Claim, 5 Drawing Sheets

(56)

References Cited

U.S. PATENT DOCUMENTS

2001/0045717	A1 *	11/2001	Spadino	B62B 1/042 280/47.26
2008/0023236	A1 *	1/2008	Falkiner	A63B 55/57 180/65.1
2008/0196951	A1 *	8/2008	Gal	B62B 5/0026 180/65.1
2012/0118657	A1 *	5/2012	Liao	A63B 55/61 180/208
2014/0125021	A1 *	5/2014	Du Toit	B62B 5/0033 280/47.34
2018/0022411	A1 *	1/2018	Kistemaker	B62K 5/027
2018/0056152	A1 *	3/2018	Reimers	A63B 55/61

* cited by examiner

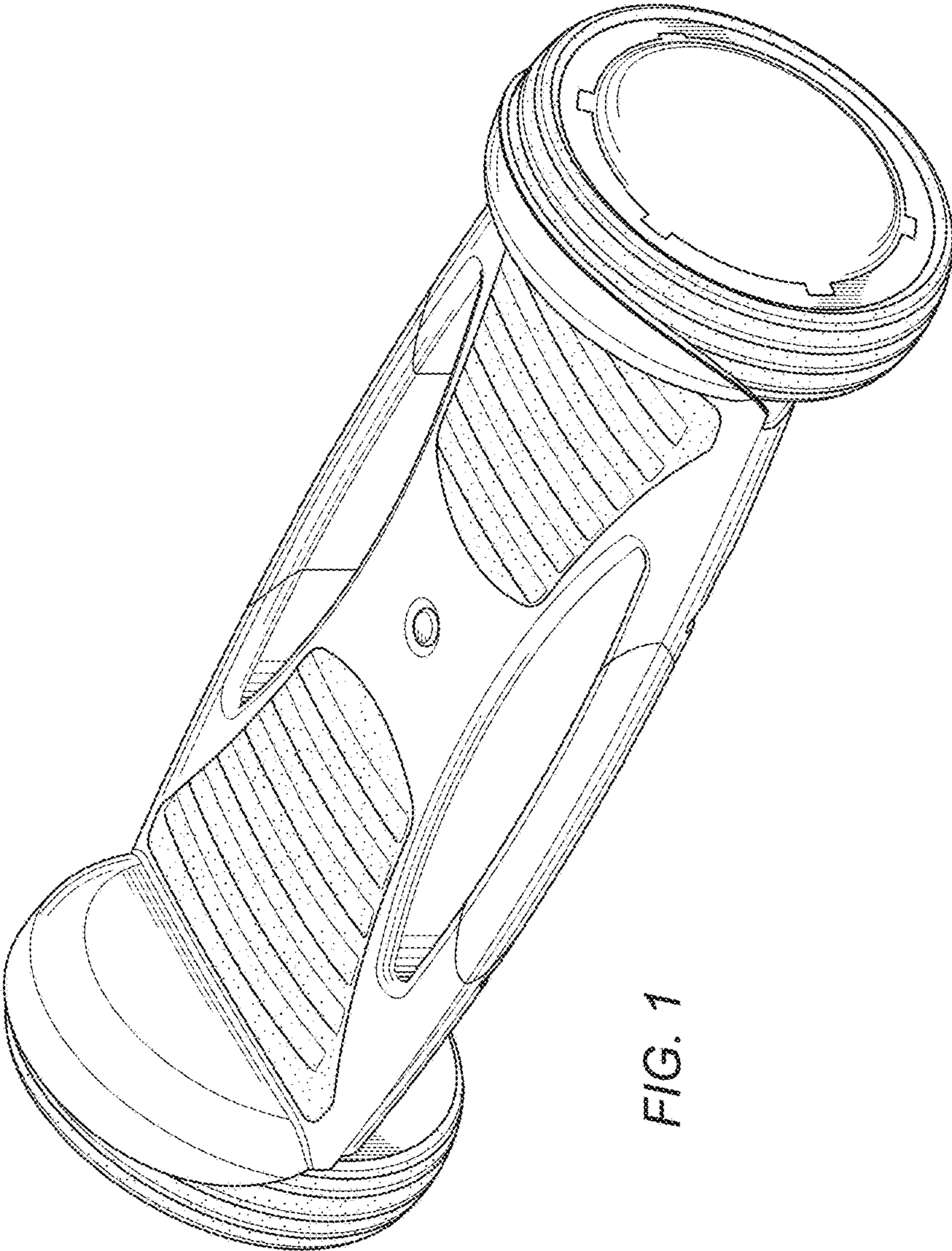


FIG. 1

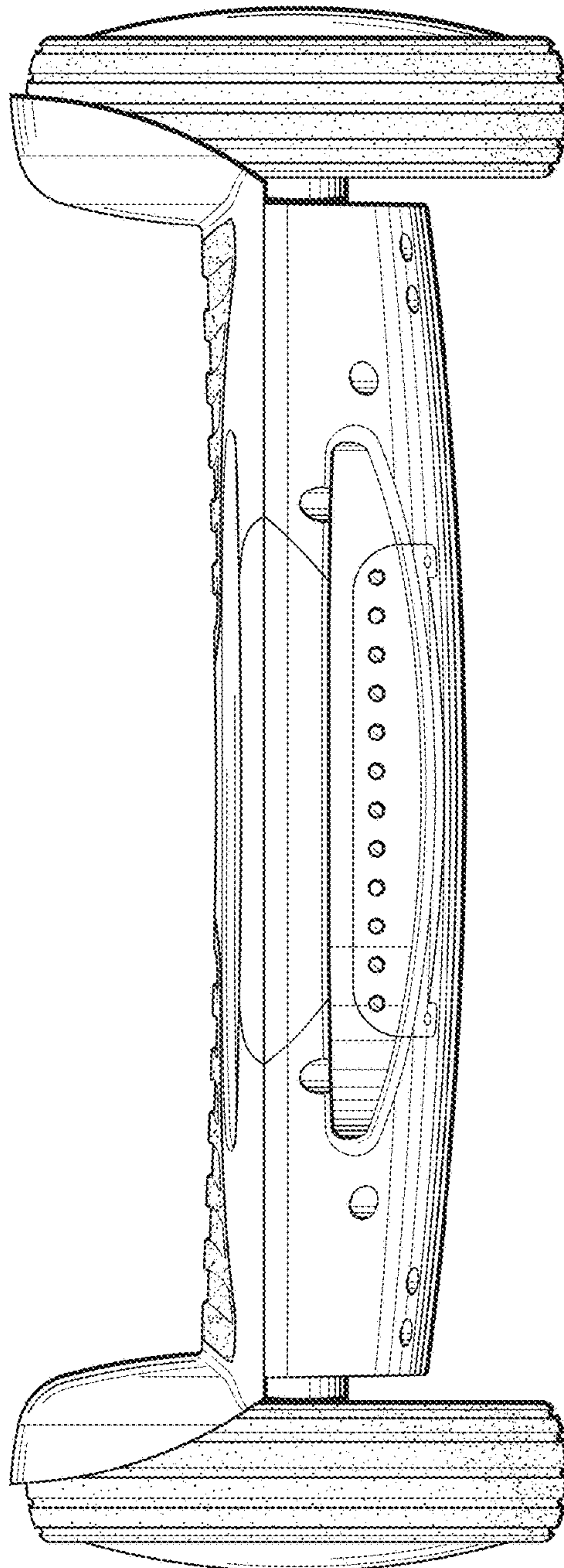


FIG. 2

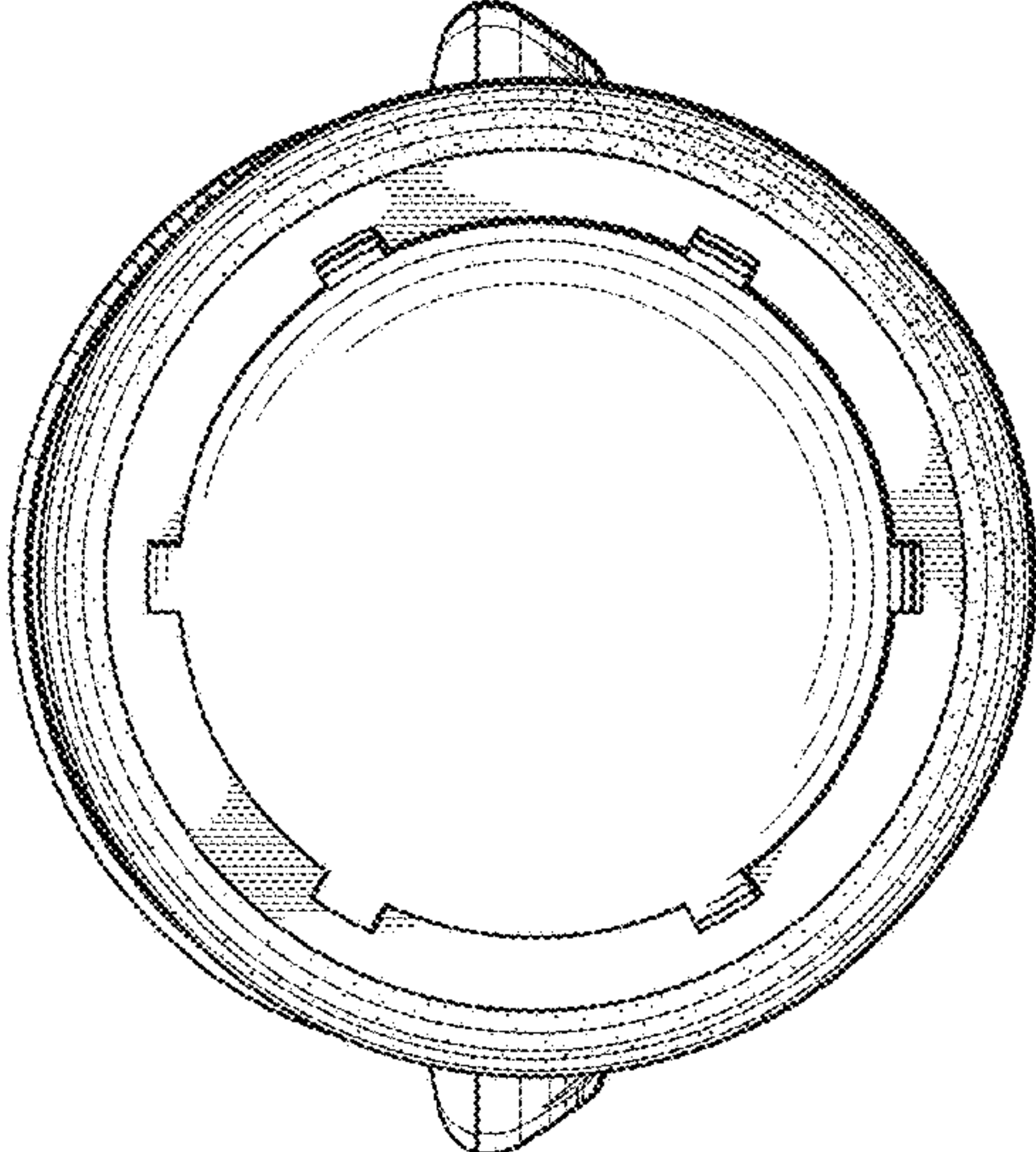


FIG. 3

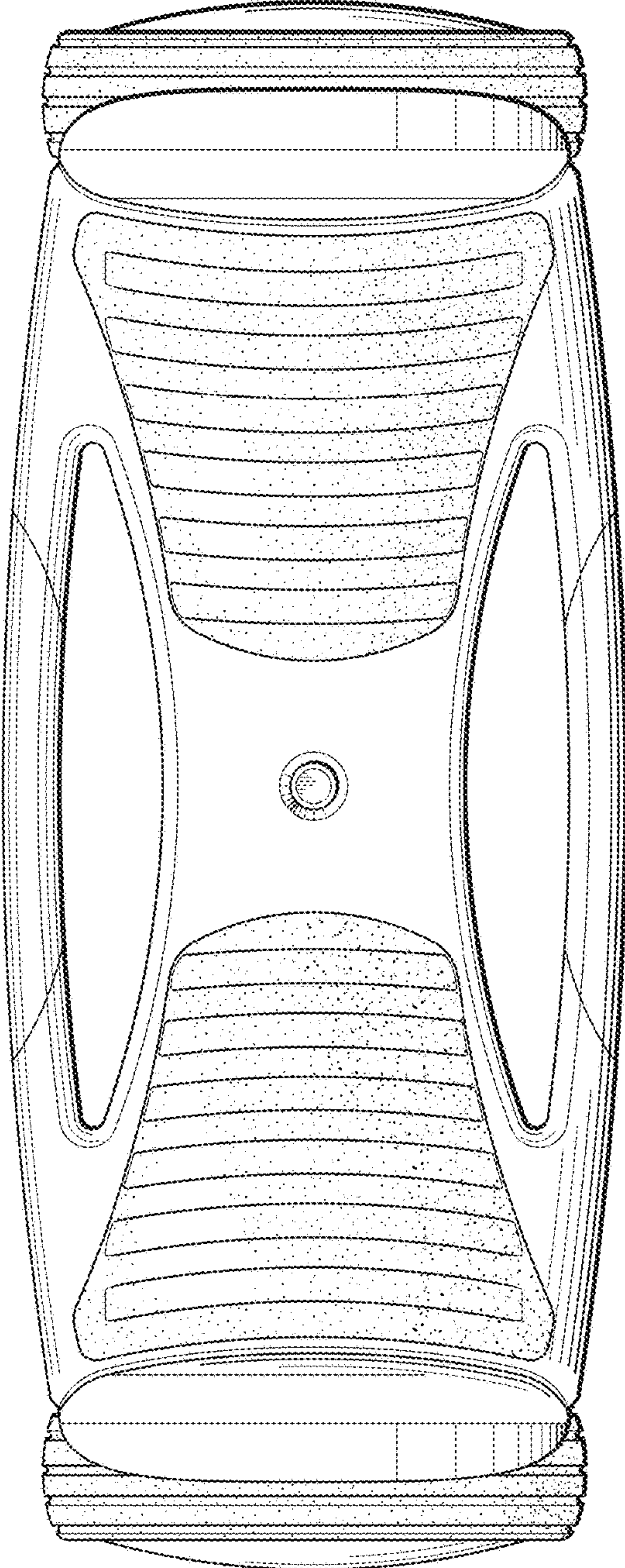


FIG. 4

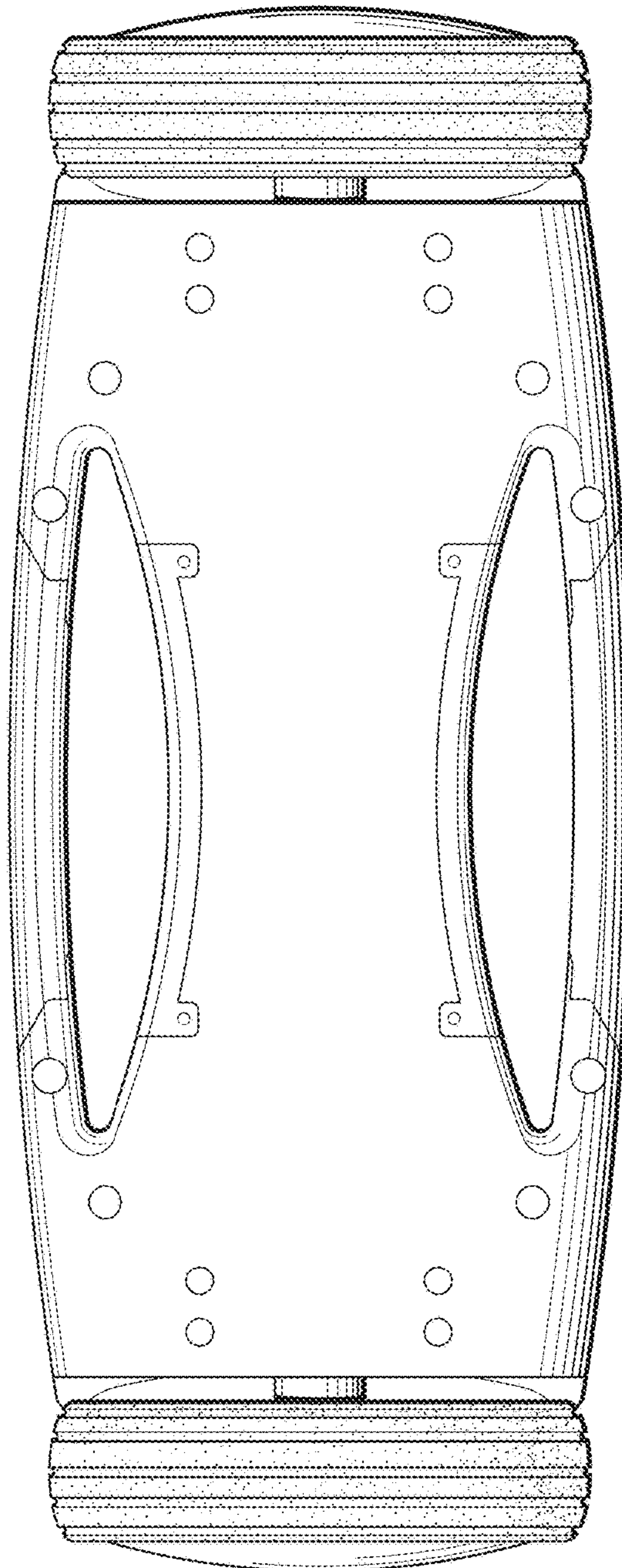


FIG. 5