



US00D841513S

(12) **United States Design Patent**  
**Suzuki**

(10) **Patent No.:** **US D841,513 S**

(45) **Date of Patent:** **\*\* Feb. 26, 2019**

- (54) **SAKURA FINGER RING**
- (71) Applicant: **ATELIER OPA Co., Ltd.**, Tokyo (JP)
- (72) Inventor: **Yuki Suzuki**, Tokyo (JP)
- (73) Assignee: **ATELIER OPA Co. LTD.**, Tokyo (JP)

3,805,549 A \* 4/1974 Nielsen ..... A44C 13/00  
428/11  
D632,203 S \* 2/2011 Hobbs, Jr. .... D11/26  
9,198,487 B2 \* 12/2015 Bissierier ..... A44C 9/00  
D778,764 S \* 2/2017 Suzuki ..... D11/26  
D784,179 S \* 4/2017 Suzuki ..... D11/26

- (\*\*) Term: **15 Years**
- (21) Appl. No.: **29/625,305**
- (22) Filed: **Nov. 8, 2017**

(30) **Foreign Application Priority Data**

May 9, 2017 (EM) ..... 003992296-0001

(51) **LOC (11) Cl.** ..... **11-01**

(52) **U.S. Cl.**  
USPC ..... **D11/26; D11/2**

(58) **Field of Classification Search**

USPC .... D11/1, 2, 7, 8, 26-39, 40, 41, 42, 91, 92  
CPC .. A44C 5/00; A44C 1/00; A44C 7/002; A44C  
11/00; A44C 11/007; A44C 23/00; A44C  
25/00; A44C 25/001; A44C 25/007; A44C  
17/02; A44C 17/0241; A44C 17/0266;  
A44C 17/0175; A44C 9/00; A44C  
9/0007; A44C 9/0015; A44C 9/0023;  
A44C 9/003; A44C 9/0038; A44C  
9/0046; A44C 9/0053; A44C 9/0061;  
A44C 9/0069; A44C 9/0076; A44C  
9/0084; A44C 9/02; A44C 15/001  
See application file for complete search history.

(56) **References Cited**

**U.S. PATENT DOCUMENTS**

D194,058 S \* 11/1962 Powers ..... D11/29  
D197,806 S \* 3/1964 Nolen ..... D11/26

**OTHER PUBLICATIONS**

[online] [http://www.microsofttranslator.com/bv.aspx?ref=SERP&br=ro&mkt=en-US&dl=en&lp=JA\\_EN&a=http%3a%2f%2fwww.atelier-opa.com%2f](http://www.microsofttranslator.com/bv.aspx?ref=SERP&br=ro&mkt=en-US&dl=en&lp=JA_EN&a=http%3a%2f%2fwww.atelier-opa.com%2f). Retrieved Oct. 13, 2018.\*

\* cited by examiner

*Primary Examiner* — Melanie Pellegrini

(74) *Attorney, Agent, or Firm* — Konomi Takeshita

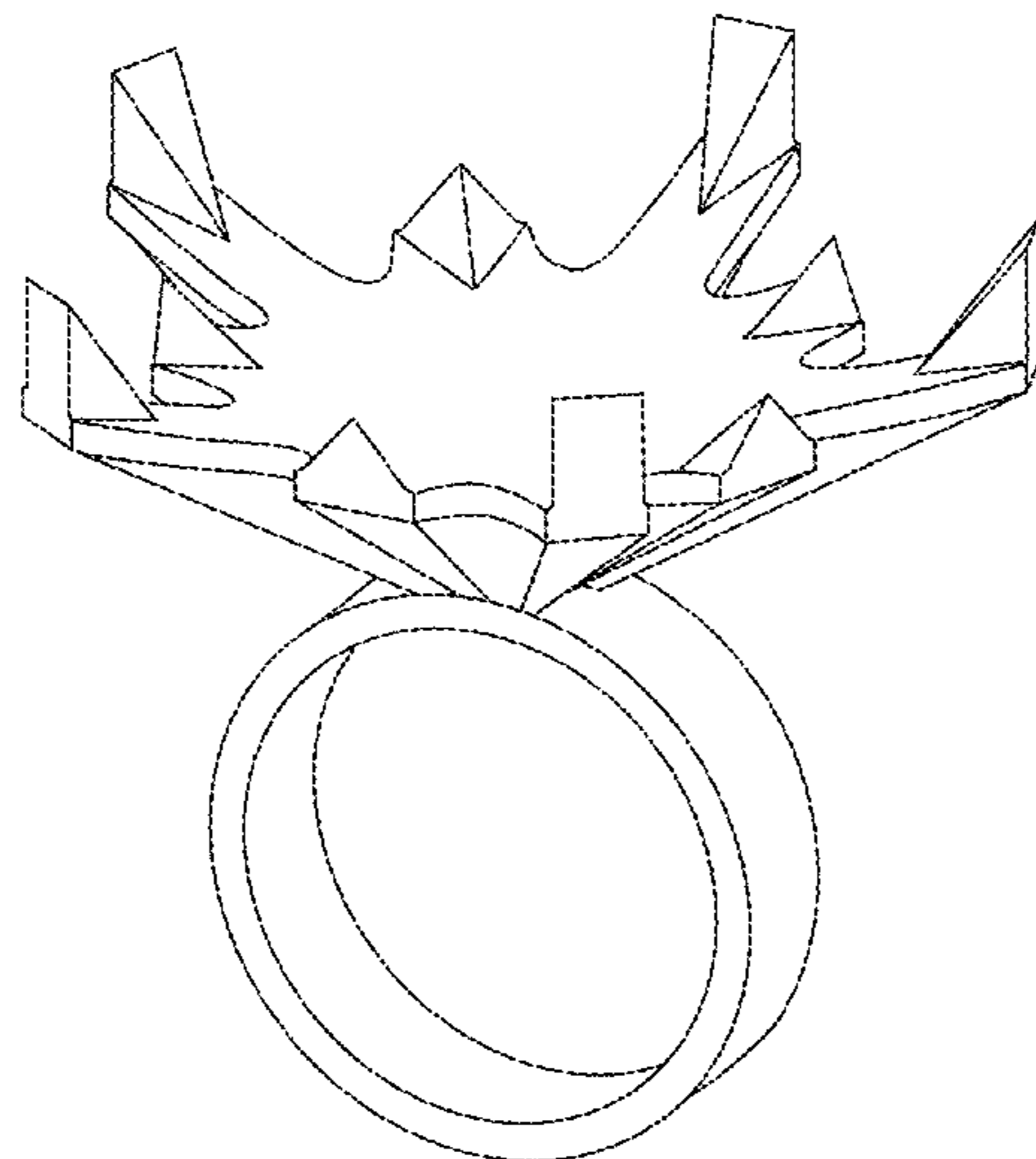
(57) **CLAIM**

The ornamental design for a sakura finger ring, as shown and described.

**DESCRIPTION**

FIG. 1 is a perspective view of a sakura finger ring, showing my new design;  
FIG. 2 is a rear view thereof;  
FIG. 3 is a front elevational view thereof;  
FIG. 4 is a left side elevational view thereof;  
FIG. 5 is a right side elevational view thereof;  
FIG. 6 is a top view thereof; and,  
FIG. 7 is a bottom view thereof.

**1 Claim, 7 Drawing Sheets**



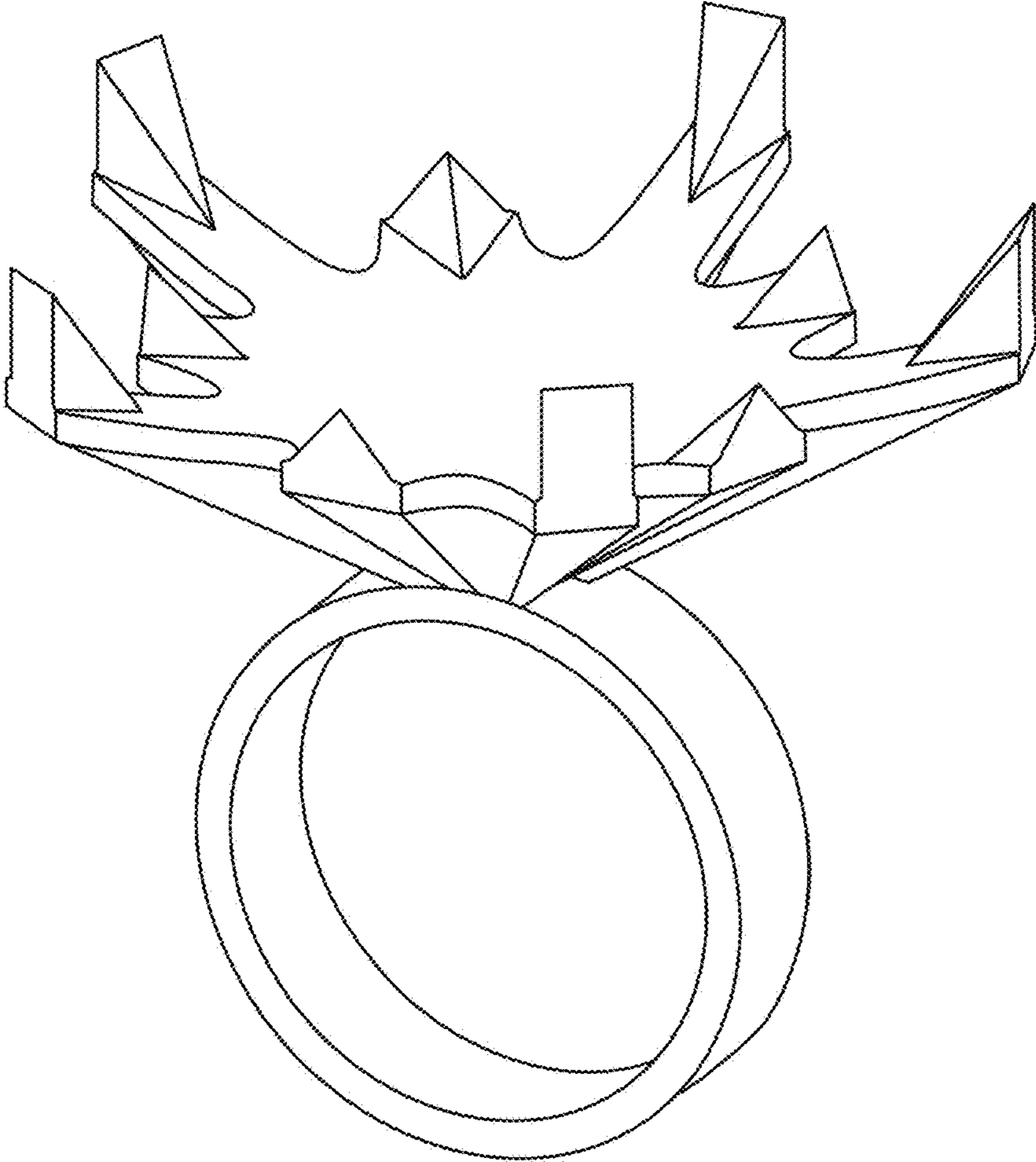


FIG.1

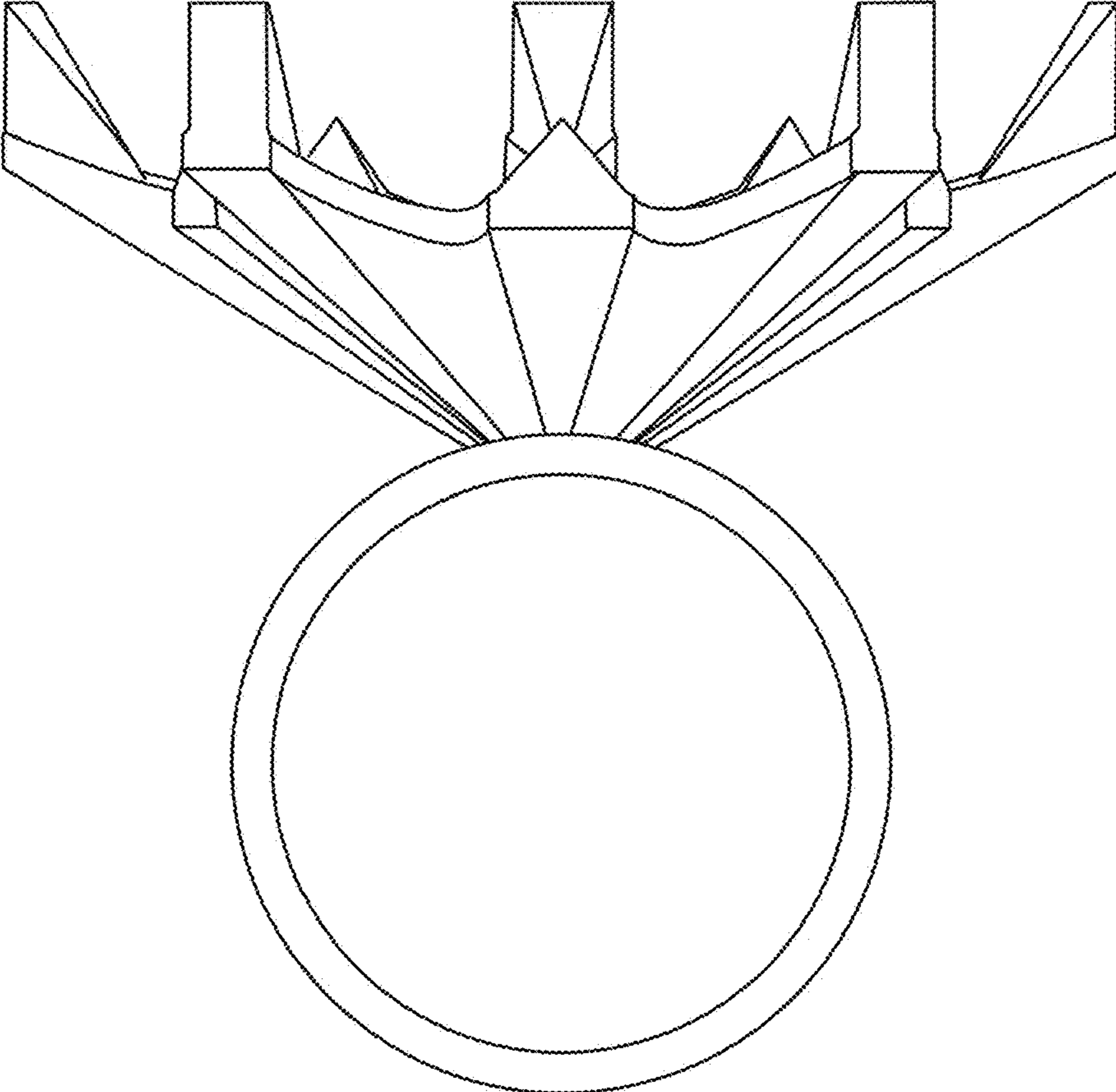


FIG.2

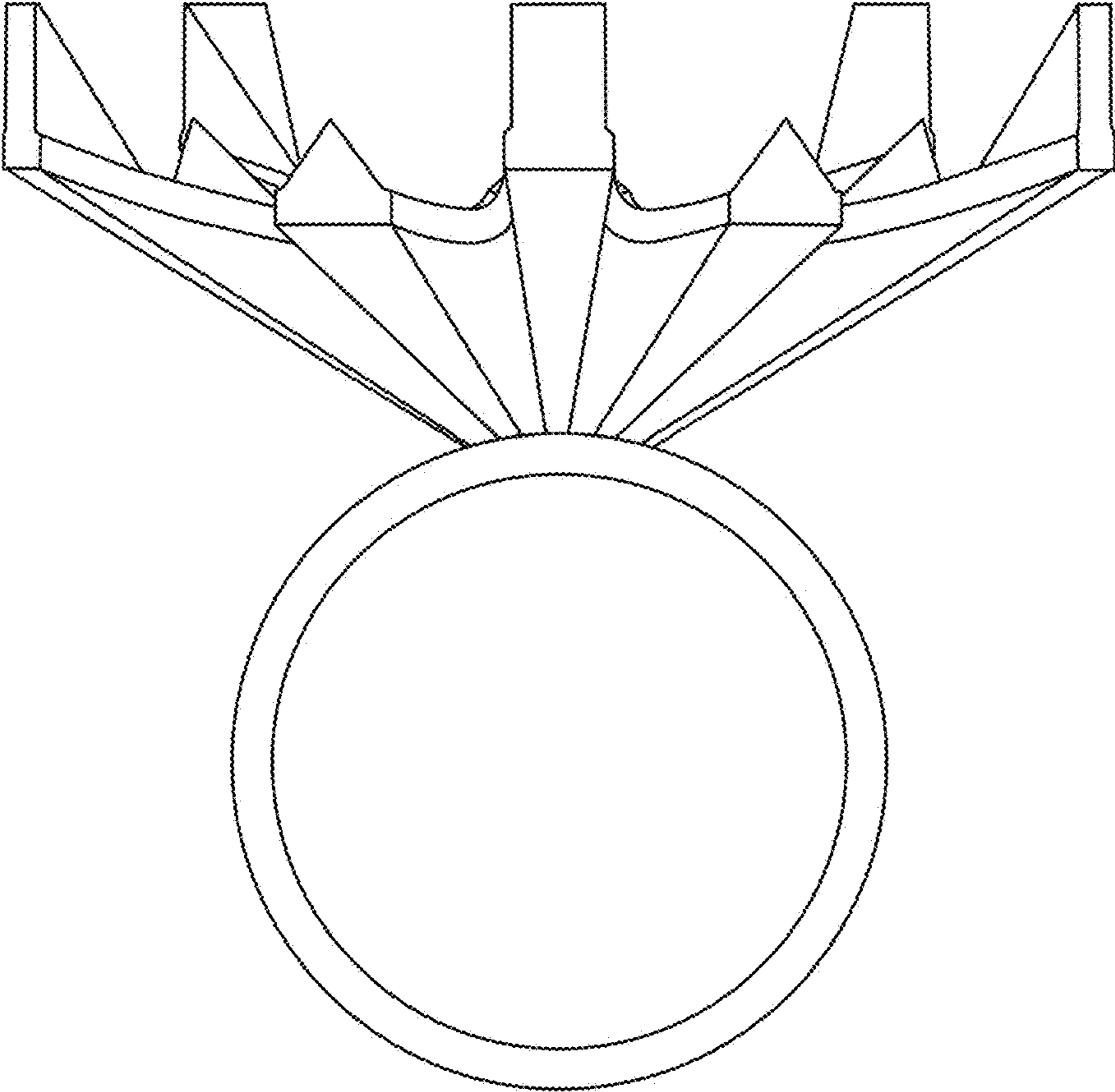


FIG.3

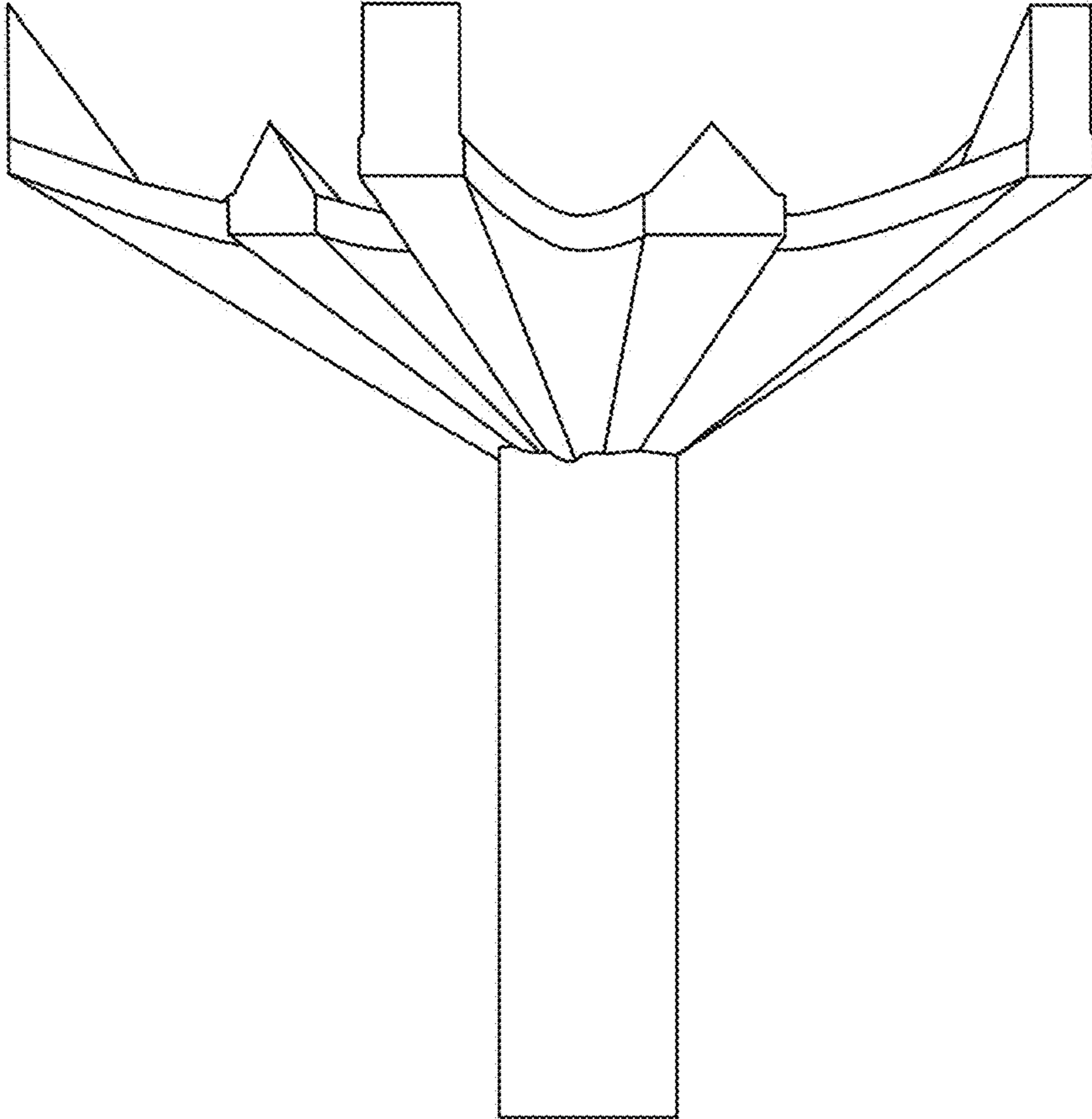


FIG.4

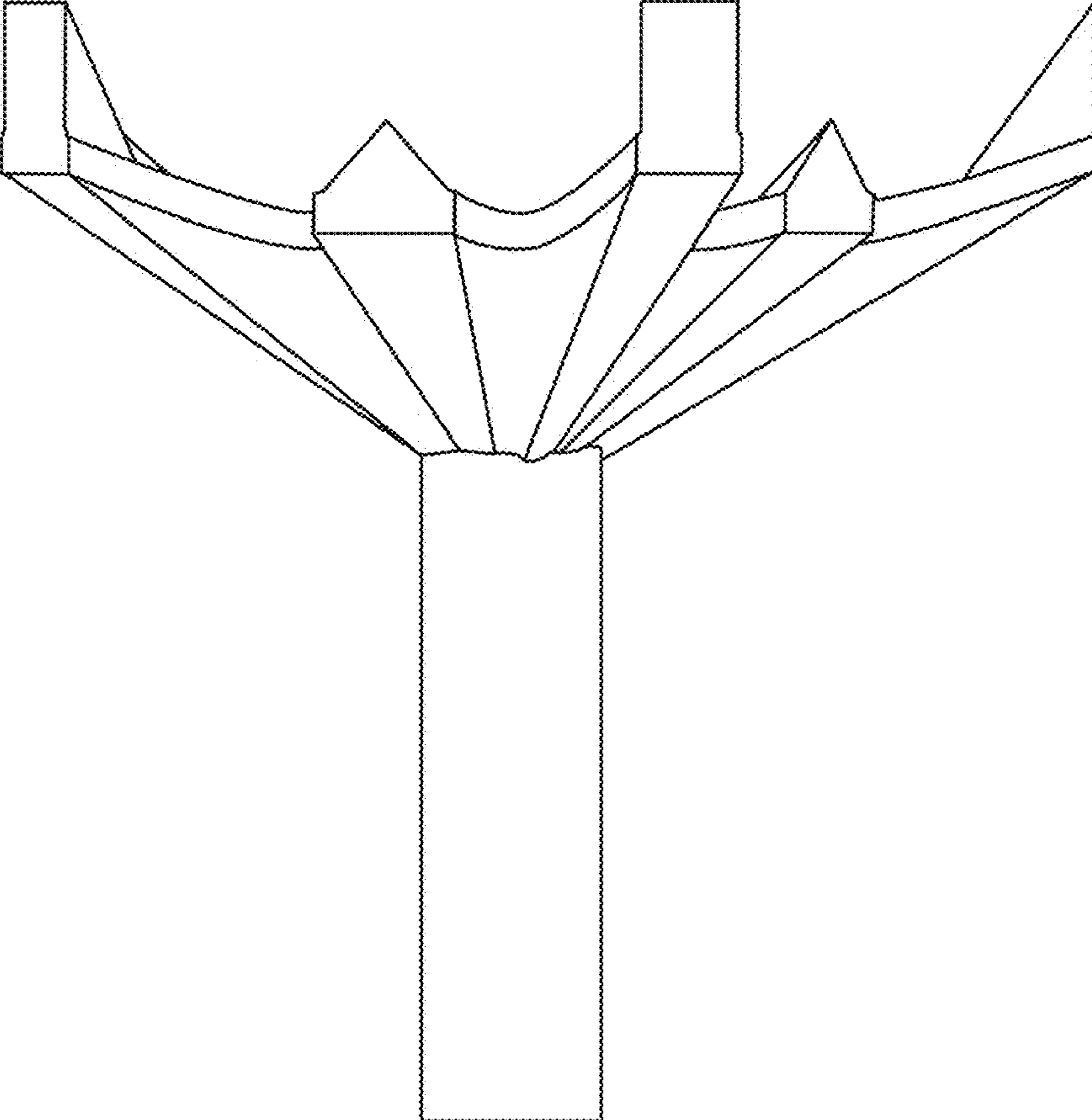


FIG.5

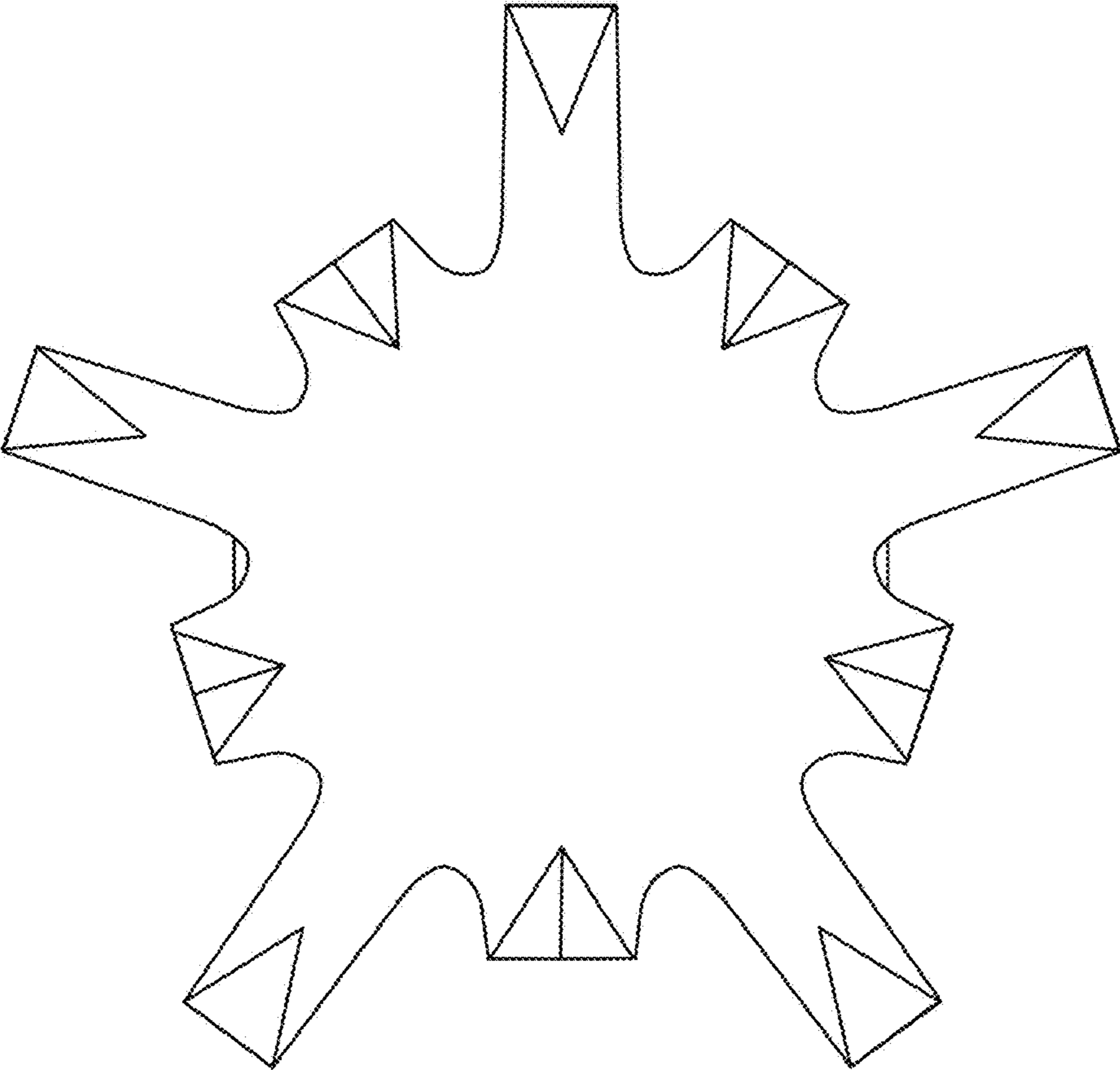


FIG.6

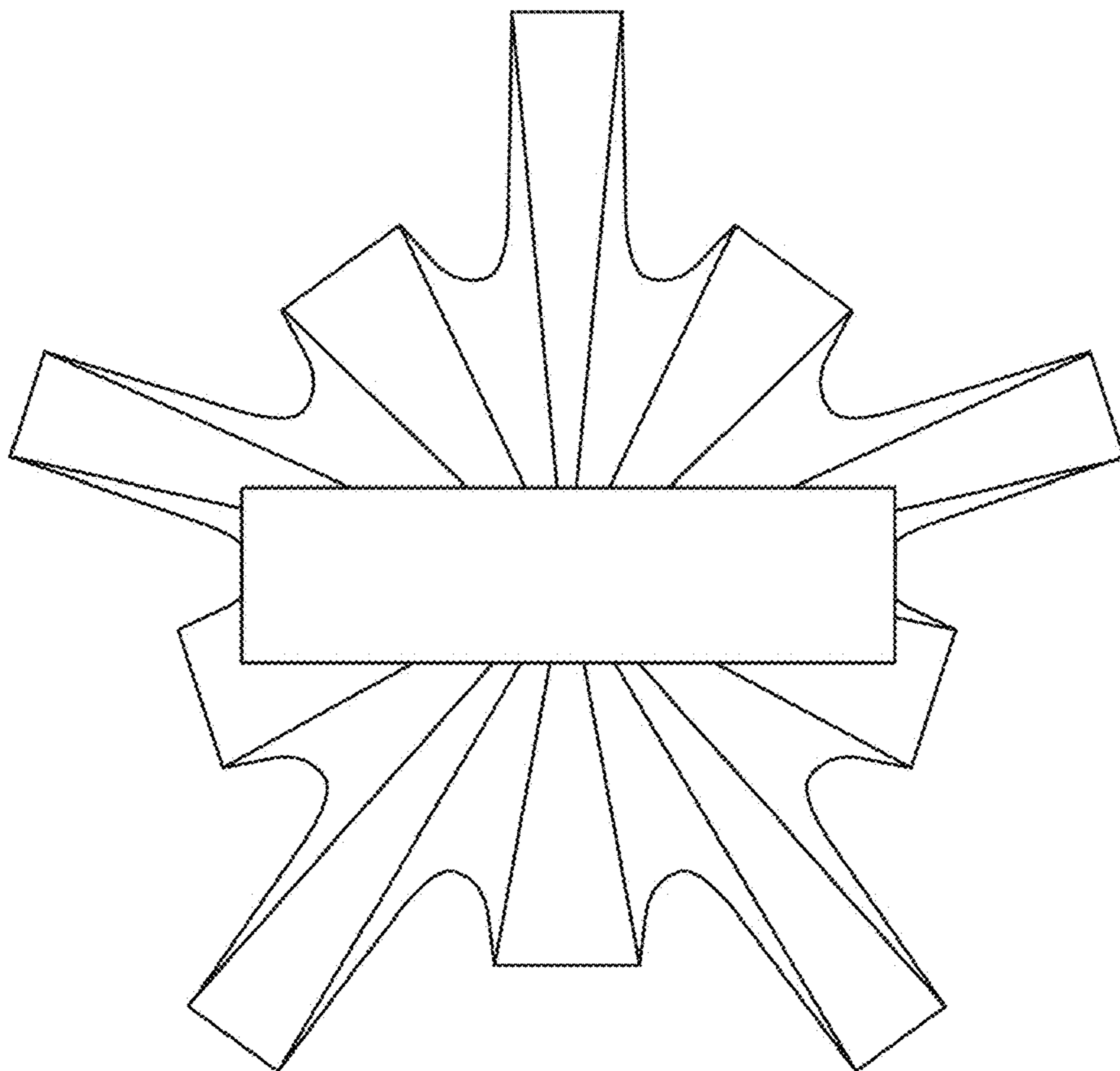


FIG.7