



US00D841510S

(12) **United States Design Patent**  
**Dominguez**

(10) **Patent No.:** **US D841,510 S**

(45) **Date of Patent:** **\*\* Feb. 26, 2019**

(54) **DIAL**

(71) Applicant: **HARRY WINSTON SA,**  
Plan-les-Ouates (CH)

(72) Inventor: **Emmanuelle Dominguez,** Viry (FR)

(73) Assignee: **Harry Winston SA,** Plan-les-Ouates  
(CH)

(\*\*) Term: **15 Years**

(21) Appl. No.: **29/616,236**

(22) Filed: **Sep. 5, 2017**

(30) **Foreign Application Priority Data**

Mar. 3, 2017 (WO) ..... DM/095 099

(51) **LOC (11) Cl.** ..... **10-07**

(52) **U.S. Cl.**  
USPC ..... **D10/123**

(58) **Field of Classification Search**

USPC ..... D10/1-39, 65, 70, 122-132; D14/344,  
D14/138 R; D11/16, 40

CPC ... G04F 1/00; G04F 1/06; G04F 1/063; G04F  
7/06; G04F 7/0861; G04F 7/0871; G04F  
7/08; G04F 7/0804; G04F 7/0842; G04F  
7/0876; G04F 19/00; G04F 19/02; G04F  
19/04; G04F 19/06; G04F 19/08; G04F  
19/26; G04F 19/24; G04F 39/00; G04F  
39/002; G04F 39/004; G04F 39/006;  
A01G 25/165; B05B 12/02

See application file for complete search history.

(56) **References Cited**

**U.S. PATENT DOCUMENTS**

D195,864 S \* 8/1963 Florian ..... D10/1  
D219,793 S \* 1/1971 Turnbull ..... D10/4

D360,834 S \* 8/1995 Mizoguchi ..... D10/30  
D361,941 S \* 9/1995 Miyazaki ..... D10/30  
D370,180 S \* 5/1996 Mo ..... D10/21  
D378,898 S \* 4/1997 Hayashi ..... D10/30  
D383,074 S \* 9/1997 Hayashi ..... D10/32  
D496,591 S \* 9/2004 Yurman ..... D10/32

**FOREIGN PATENT DOCUMENTS**

TR 095099-0004 \* 3/2017  
WO WO-D095099-004 \* 3/2017

\* cited by examiner

*Primary Examiner* — Karen E Kearney

*Assistant Examiner* — Aula Soroush

(74) *Attorney, Agent, or Firm* — Blank Rome LLP

(57) **CLAIM**

The ornamental design for a dial, as shown.

**DESCRIPTION**

FIG. 1 is a front, right side, and bottom perspective view of a dial showing my new design;

FIG. 2 is a front view thereof;

FIG. 3 is a rear view thereof;

FIG. 4 is a left side view thereof;

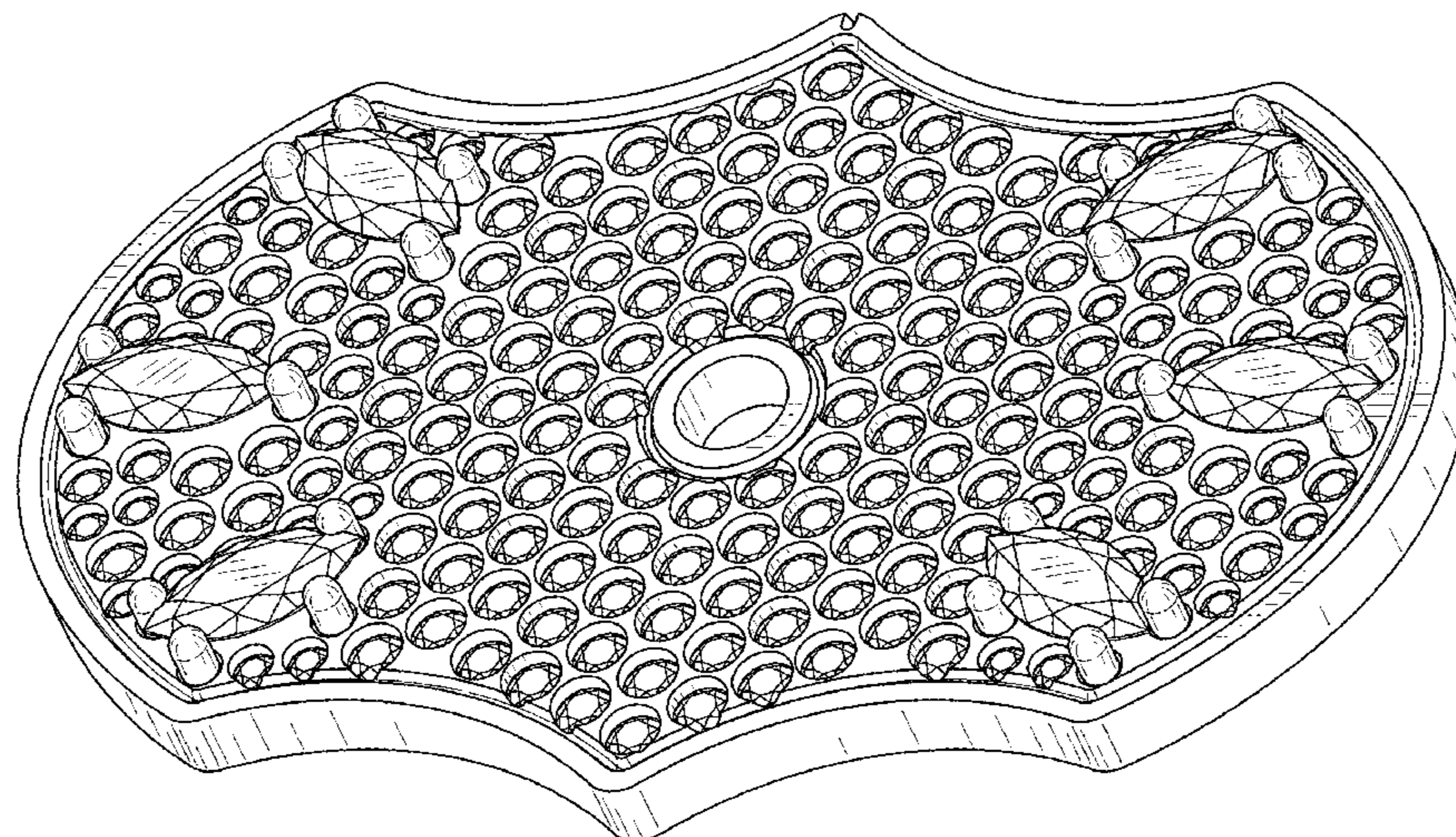
FIG. 5 is a right side view thereof;

FIG. 6 is a top view thereof;

FIG. 7 is a bottom view thereof; and,

FIG. 8 is a rear, left side, and bottom perspective view thereof.

**1 Claim, 6 Drawing Sheets**



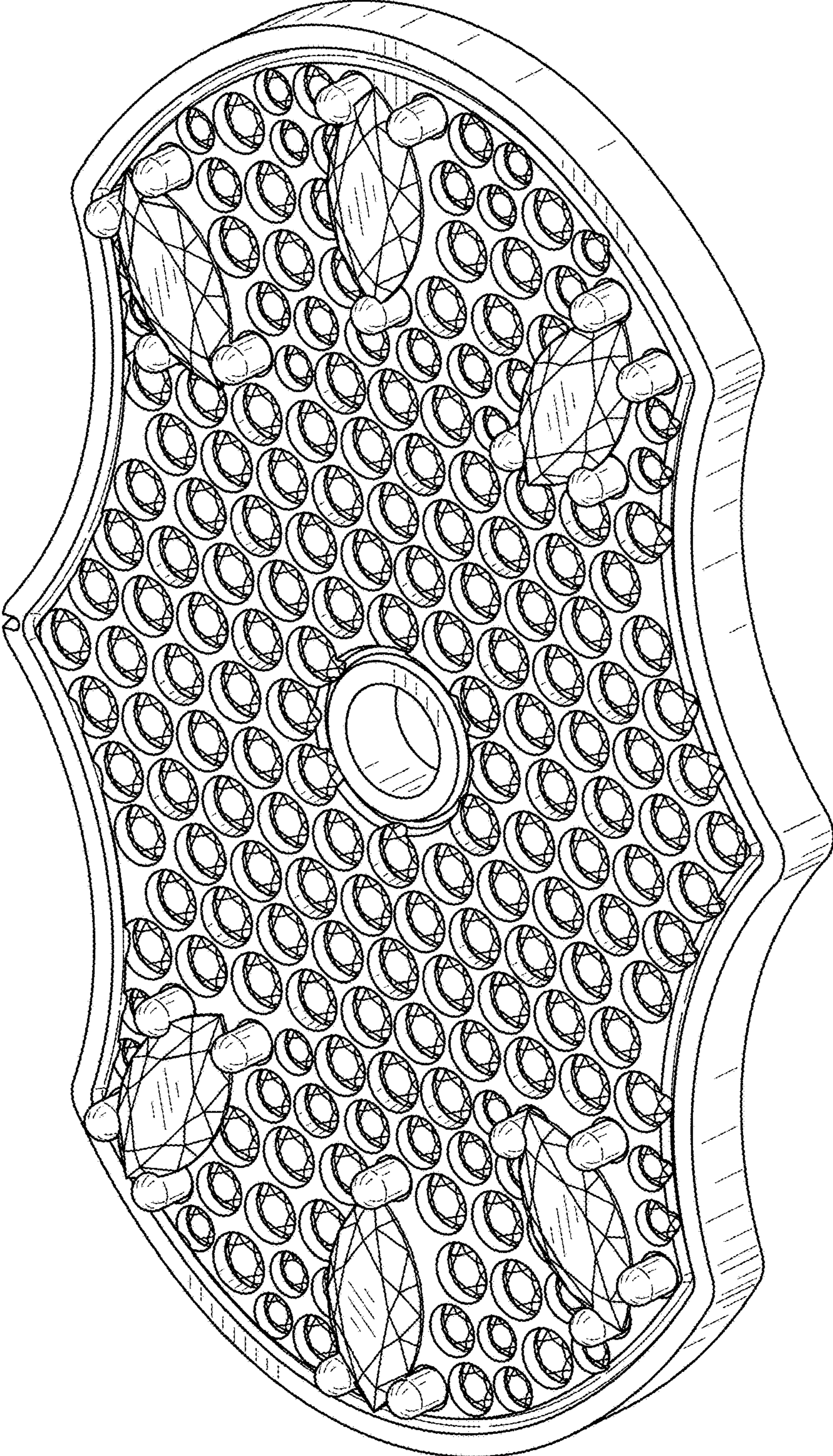


FIG. 1

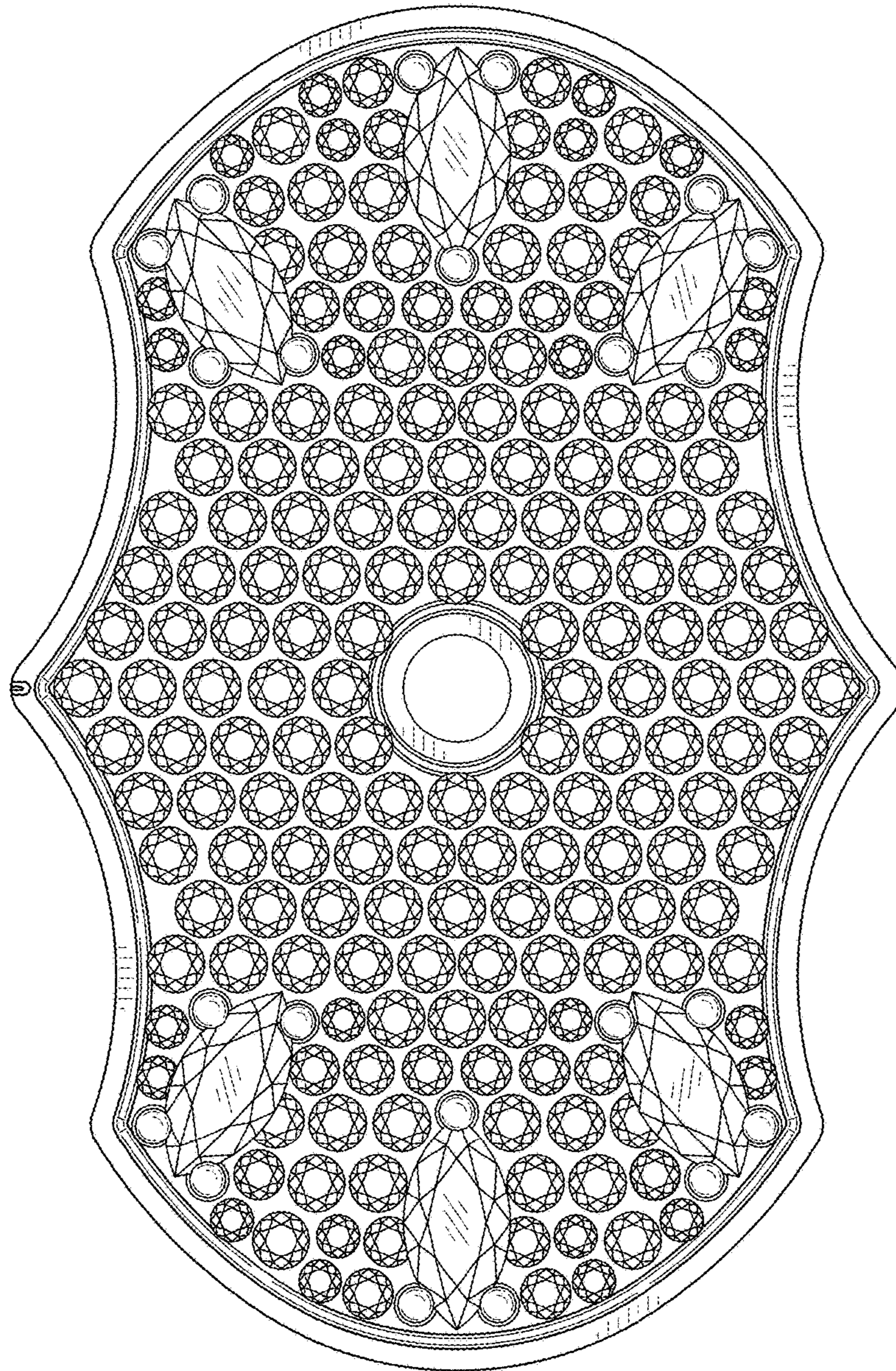


FIG. 2

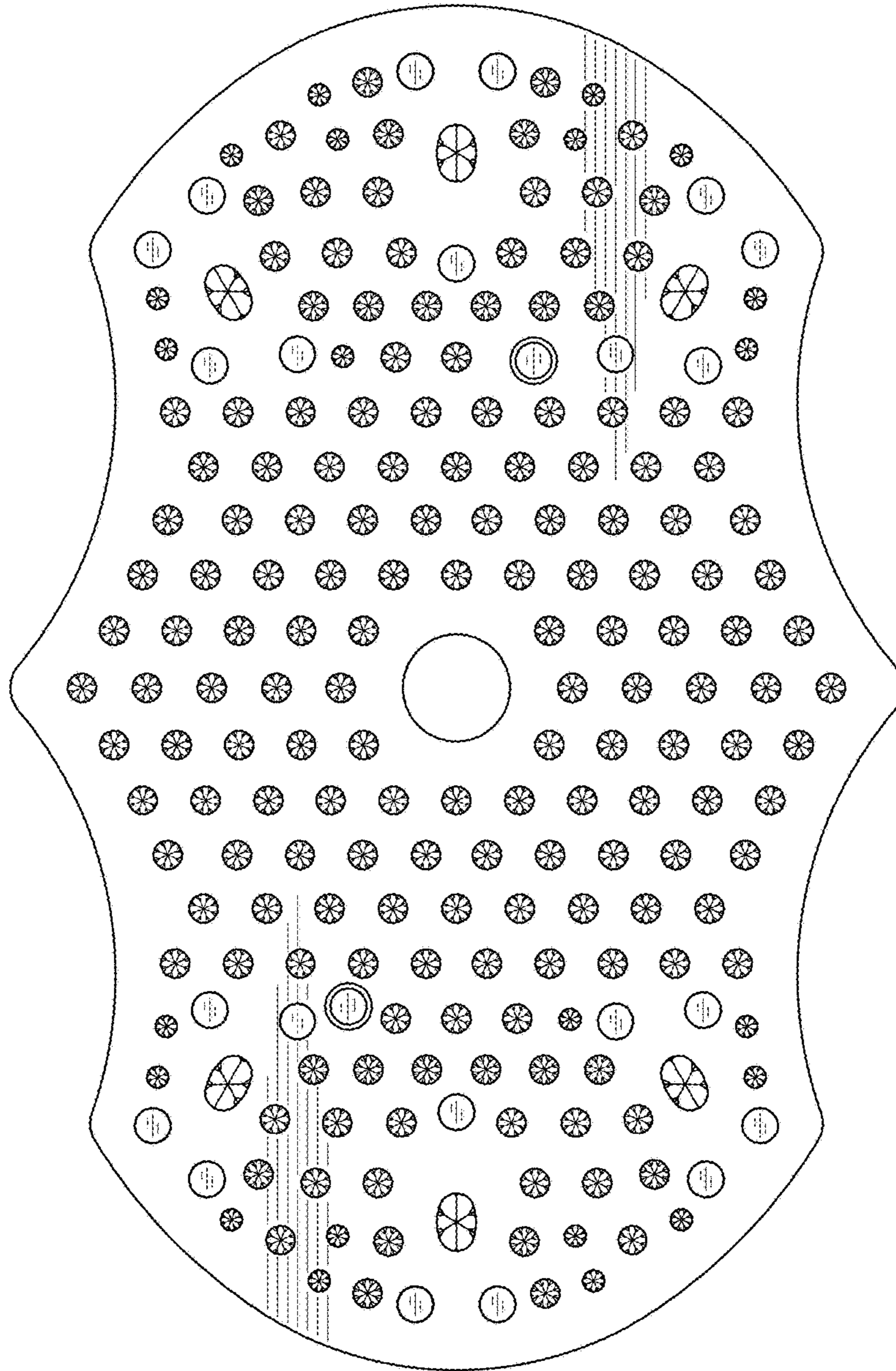


FIG. 3

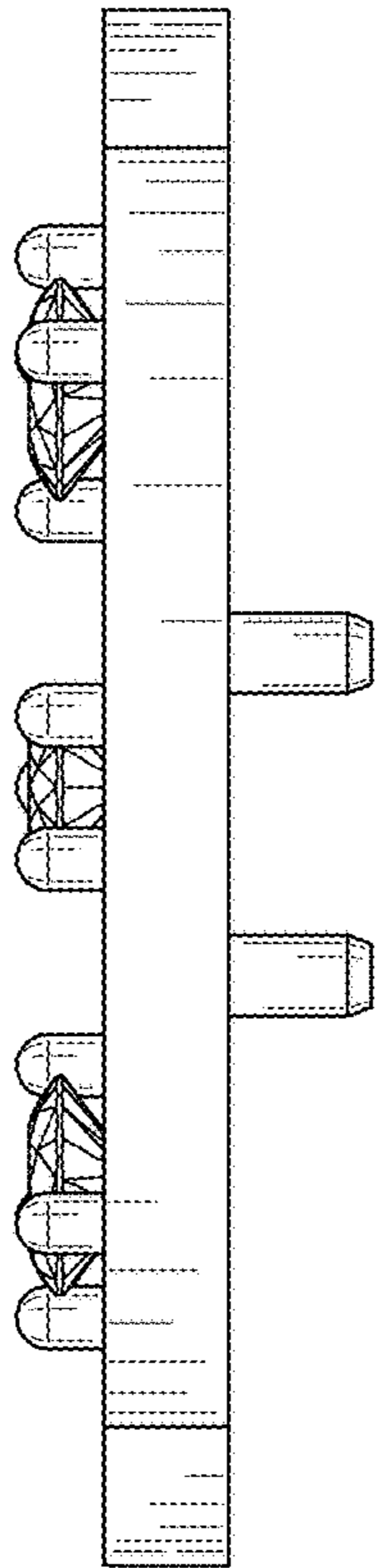


FIG. 4

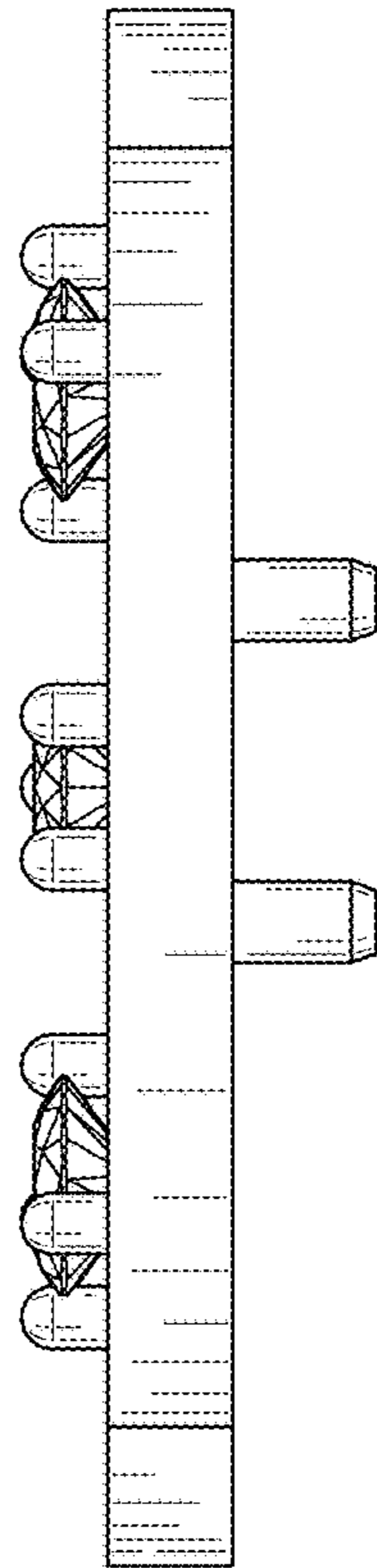


FIG. 5

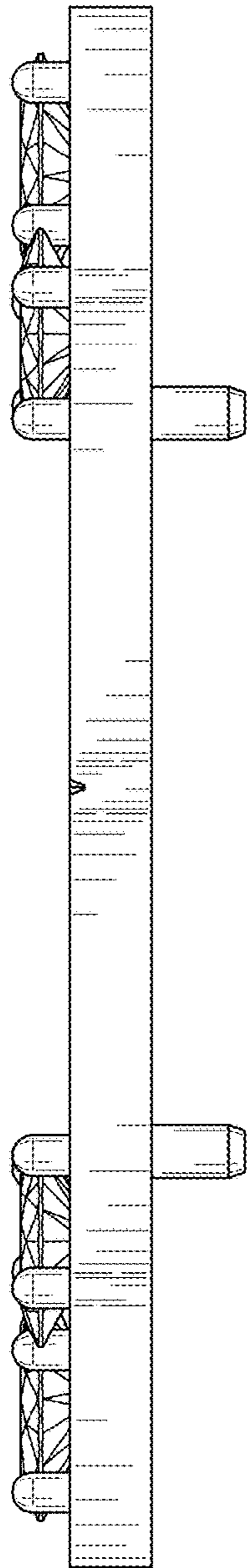


FIG. 6

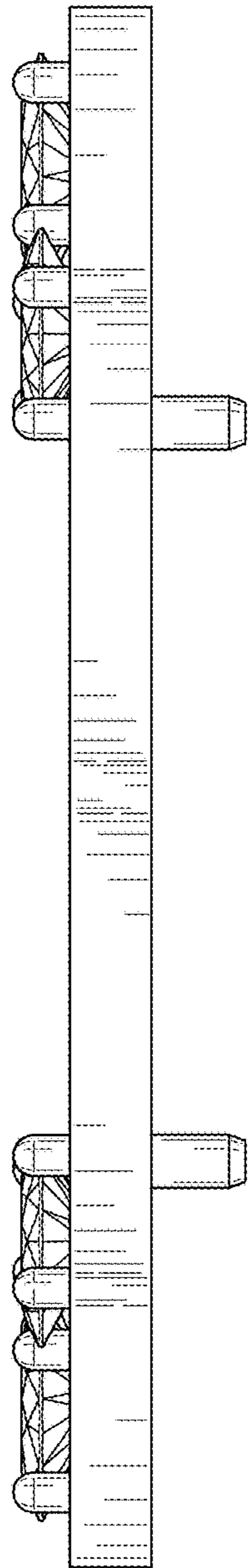


FIG. 7

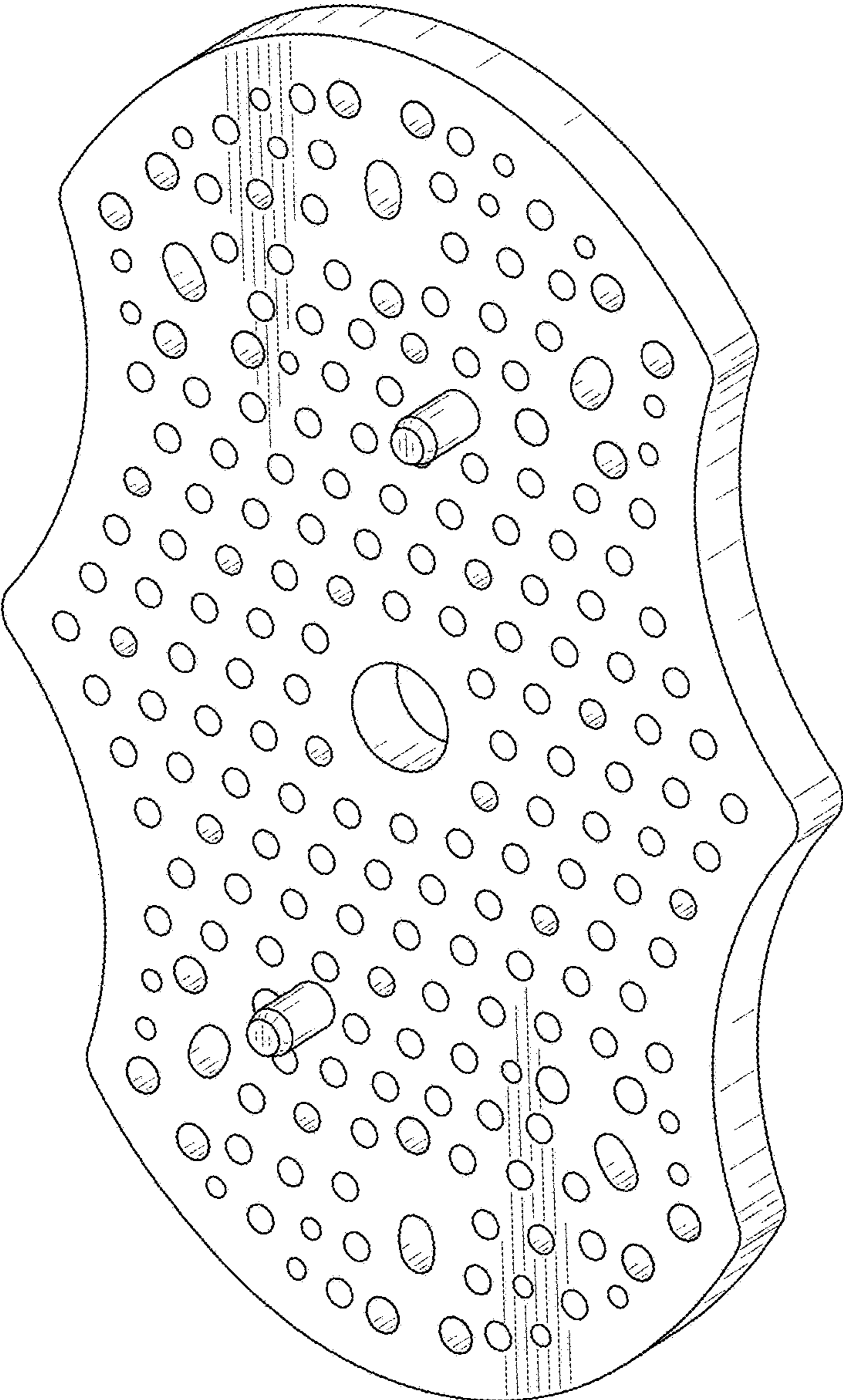


FIG. 8