



US00D841509S

(12) **United States Design Patent**
Yang

(10) **Patent No.:** **US D841,509 S**

(45) **Date of Patent:** **** Feb. 26, 2019**

(54) **DOOR BELL**

D800,592 S * 10/2017 Jean D10/118.2
D801,843 S * 11/2017 Siminoff D10/118.1
D802,463 S * 11/2017 Siminoff D10/118.2

(71) Applicant: **Shenzhen Seasons Technology Co., LTD.**, Shenzhen (CN)

(Continued)

(72) Inventor: **Moses Yang**, Shenzhen (CN)

FOREIGN PATENT DOCUMENTS

(**) Term: **15 Years**

CN 304466250 * 1/2018

(21) Appl. No.: **29/612,403**

OTHER PUBLICATIONS

(22) Filed: **Aug. 1, 2017**

“NPL 1,” (via YouTube), available Sep. 23, 2016, [online], [site visited May 28, 2018]. Video available from internet, <URL:https://www.youtube.com/watch?v=YqQblsZgF8M> (Year: 2016).*

(51) **LOC (11) Cl.** **10-05**

(52) **U.S. Cl.**
USPC **D10/118.2**

(Continued)

(58) **Field of Classification Search**

USPC D10/46, 104.1, 106, 116.1, 118, 118.1,
D10/118.2, 121, 124, 126; D14/159, 358;
D25/147, 103; D16/202, 203, 208, 209,
D16/215; D13/158, 169, 171, 174;
D26/72, 85, 88; D8/350, 343, 305, 353;
340/392.1, 384.7, 326, 539.14; 200/310;
455/41.2

Primary Examiner — Cathron C Brooks

Assistant Examiner — Katrina N Gonzalez

(74) *Attorney, Agent, or Firm* — Prakash Nama; Global IP Services, PLLC

CPC H04M 11/02; H04M 11/025; G08B 3/00;
G08B 3/10; G08B 7/00; G08B 7/06

See application file for complete search history.

(57) **CLAIM**

The ornamental design for a door bell, as shown and described.

DESCRIPTION

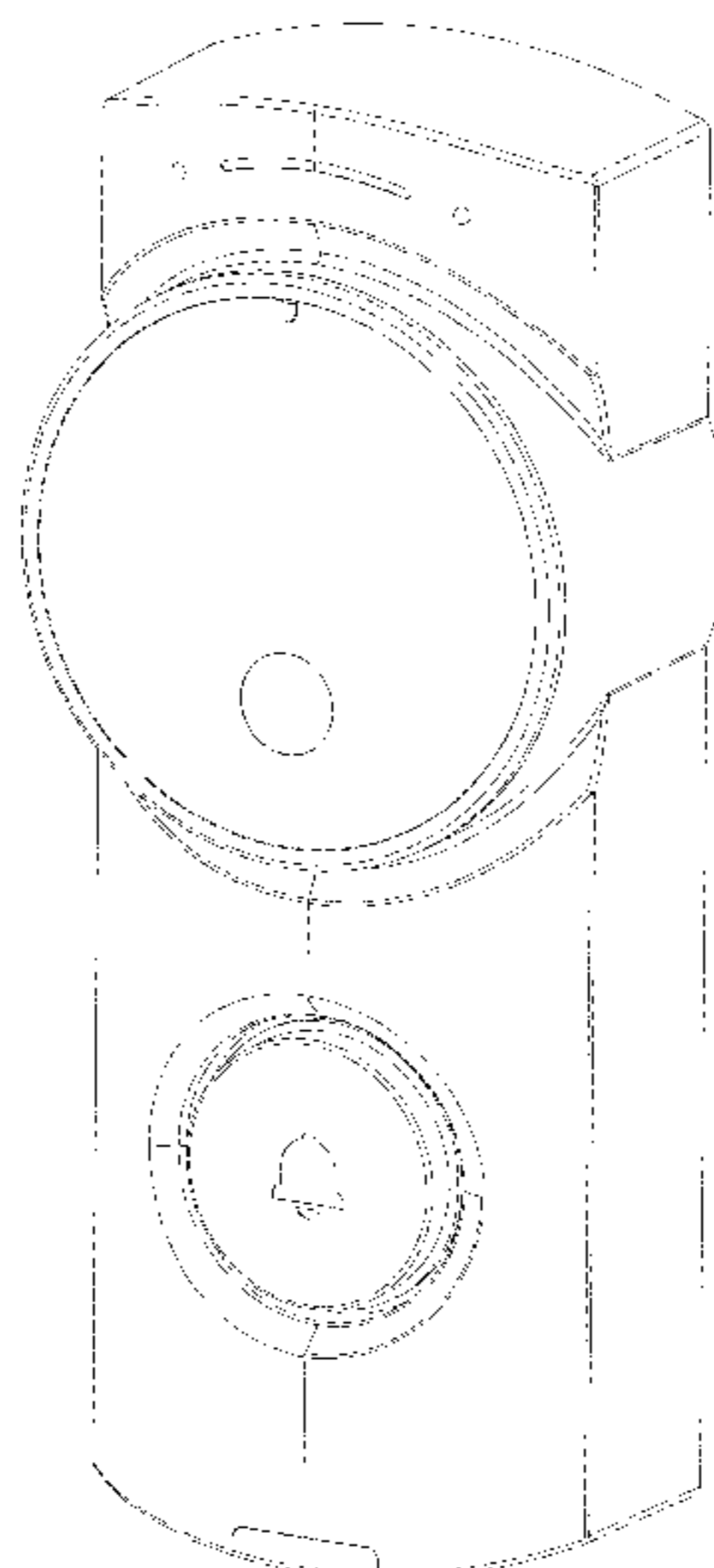
(56) **References Cited**

U.S. PATENT DOCUMENTS

D465,170 S * 11/2002 Hannah D10/121
D507,200 S * 7/2005 Adrianson D10/104.1
D710,727 S * 8/2014 Siminoff D10/118.1
D710,728 S * 8/2014 Siminoff D10/118.1
D721,349 S * 1/2015 Sugai D14/159
D742,334 S * 11/2015 Pratt D10/104.1
D756,196 S * 5/2016 Huang D8/330
D764,958 S * 8/2016 Scalisi D10/118.2
D765,530 S * 9/2016 Scalisi D10/118.2
D778,195 S * 2/2017 Li D10/118.2
D778,708 S * 2/2017 Jeng D8/330
D779,919 S * 2/2017 Shargh D8/330
D788,061 S * 5/2017 Siminoff D10/118.2
D793,268 S * 8/2017 Ye D10/118.2

FIG. 1 is a front elevational view of a door bell showing my new design;
FIG. 2 is a rear elevational view thereof;
FIG. 3 is a left side view thereof;
FIG. 4 is a right side view thereof;
FIG. 5 is a top plan view thereof;
FIG. 6 is a bottom plan view thereof;
FIG. 7 is a perspective view thereof;
FIG. 8 is another perspective view thereof;
FIG. 9 is an enlarged view of portion 9 shown in FIG. 1;
FIG. 10 is an enlarged view of portion 10 shown in FIG. 3; and,
FIG. 11 is an enlarged view of portion 11 shown in FIG. 4.

1 Claim, 7 Drawing Sheets



(56)

References Cited

U.S. PATENT DOCUMENTS

D802,644	S	*	11/2017	Lee	D16/202
D806,043	S	*	12/2017	Miller	D13/174
9,894,328	B2	*	2/2018	Siminoff	H04N 7/186
D817,207	S	*	5/2018	Scalisi	D10/118.2
D817,208	S	*	5/2018	Ravat	D10/118.2
D817,379	S	*	5/2018	Laurans	D16/219
D817,380	S	*	5/2018	Laurans	D16/219
2017/0201725	A1	*	7/2017	Siminoff	H04N 7/186
2018/0025594	A1	*	1/2018	Han	G08B 7/06
2018/0103239	A1	*	4/2018	Siminoff	H04M 1/0291

OTHER PUBLICATIONS

“NPL 2,” available May 28, 2018, [online], [site visited May 28, 2018]. Available from Internet, <URL:https://www.ebay.com/i/112923213947> (Year: 2018).*

“NPL 3,” available May 28, 2018, [online], [site visited May 28, 2018]. Available from Internet, <URL:https://www.ebay.com/i/163052769755>.*

“NPL 4,” available May 28, 2018, [online], [site visited May 28, 2018]. Available from Internet, <URL:https://www.digitaltrends.com/smart-home-reviews/arbor-video-doorbell-review/> (Year: 2018).*

“NPL 5,” available May 28, 2018, [online], [site visited May 28, 2018]. Available from Internet, <URL:https://www.aliexpress.com/item/Smart-Home-HD-Video-Doorbell-Camera-Wifi-Two-Way-Talk-Wireless-Door-Phone-Real-Time-Video/32849925100.html> (Year: 2018).*

“NPL 6,” available Jan. 8, 2018, [online], [site visited May 28, 2018]. Available from Internet, <URL:https://www.pocket-lint.com/smart-home/news/143256-swann-taking-on-ring-new-smart-video-doorbell-unveiled> (Year: 2018).*

“NPL 7,” available Jan. 8, 2018, [online], [site visited May 28, 2018]. Available from Internet, <URL:http://wearelegaci.com (Year: 2018).*

* cited by examiner

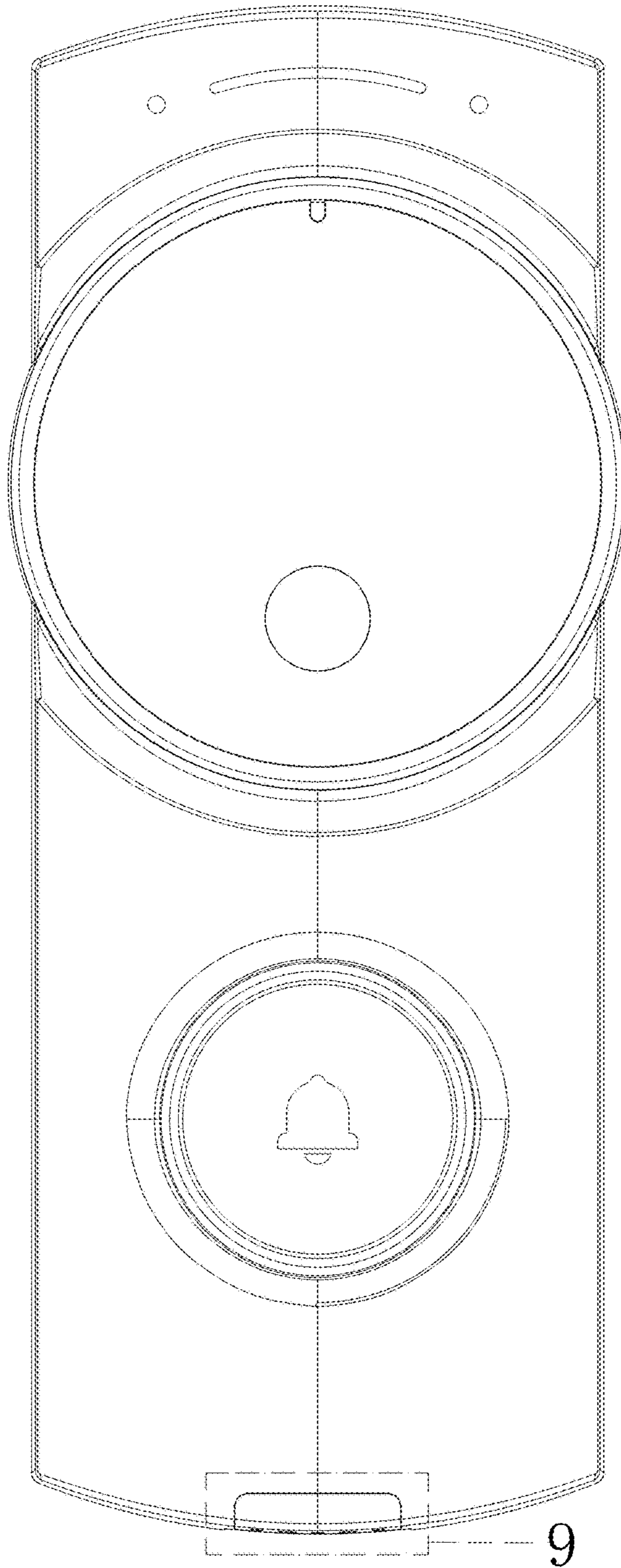


FIG. 1

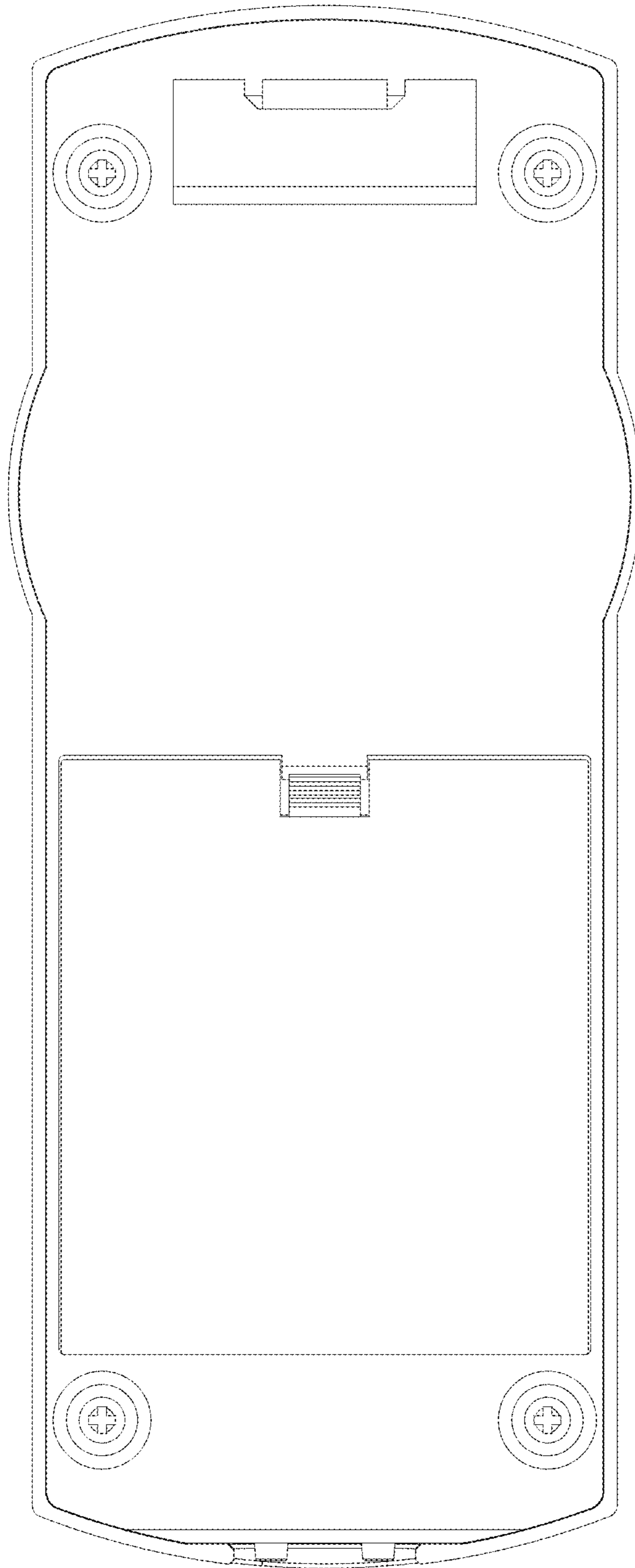


FIG. 2

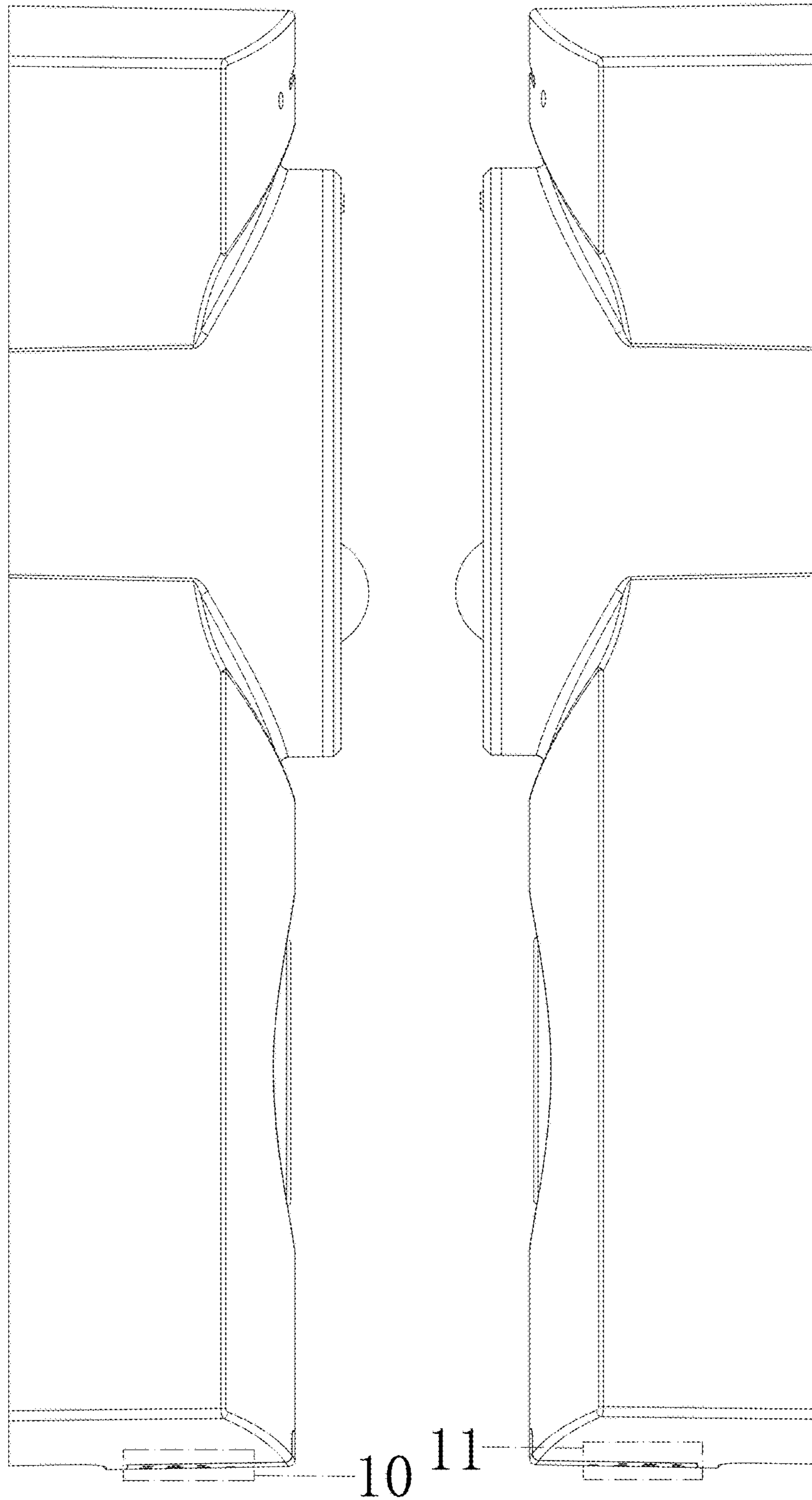


FIG. 3

FIG. 4

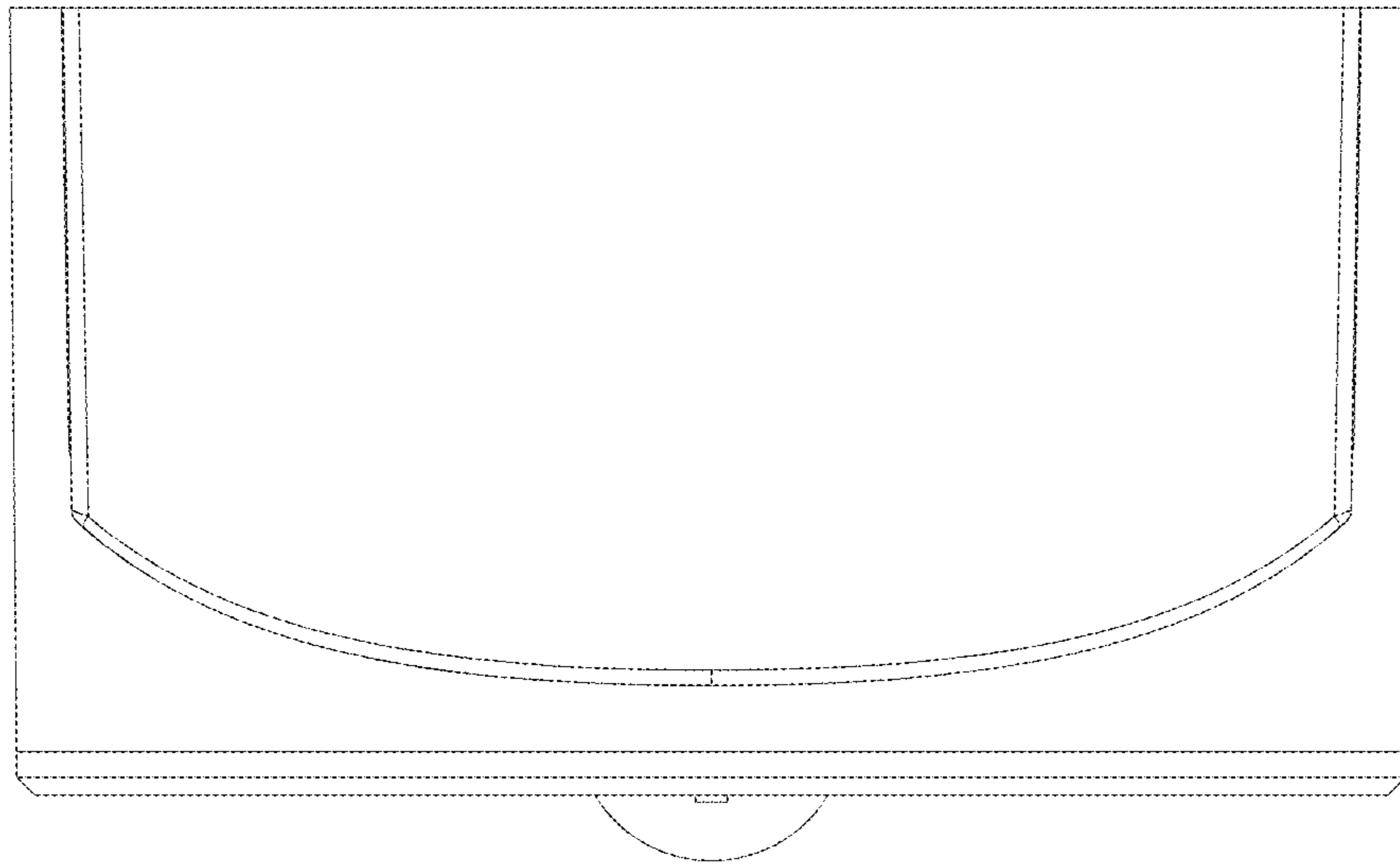


FIG. 5

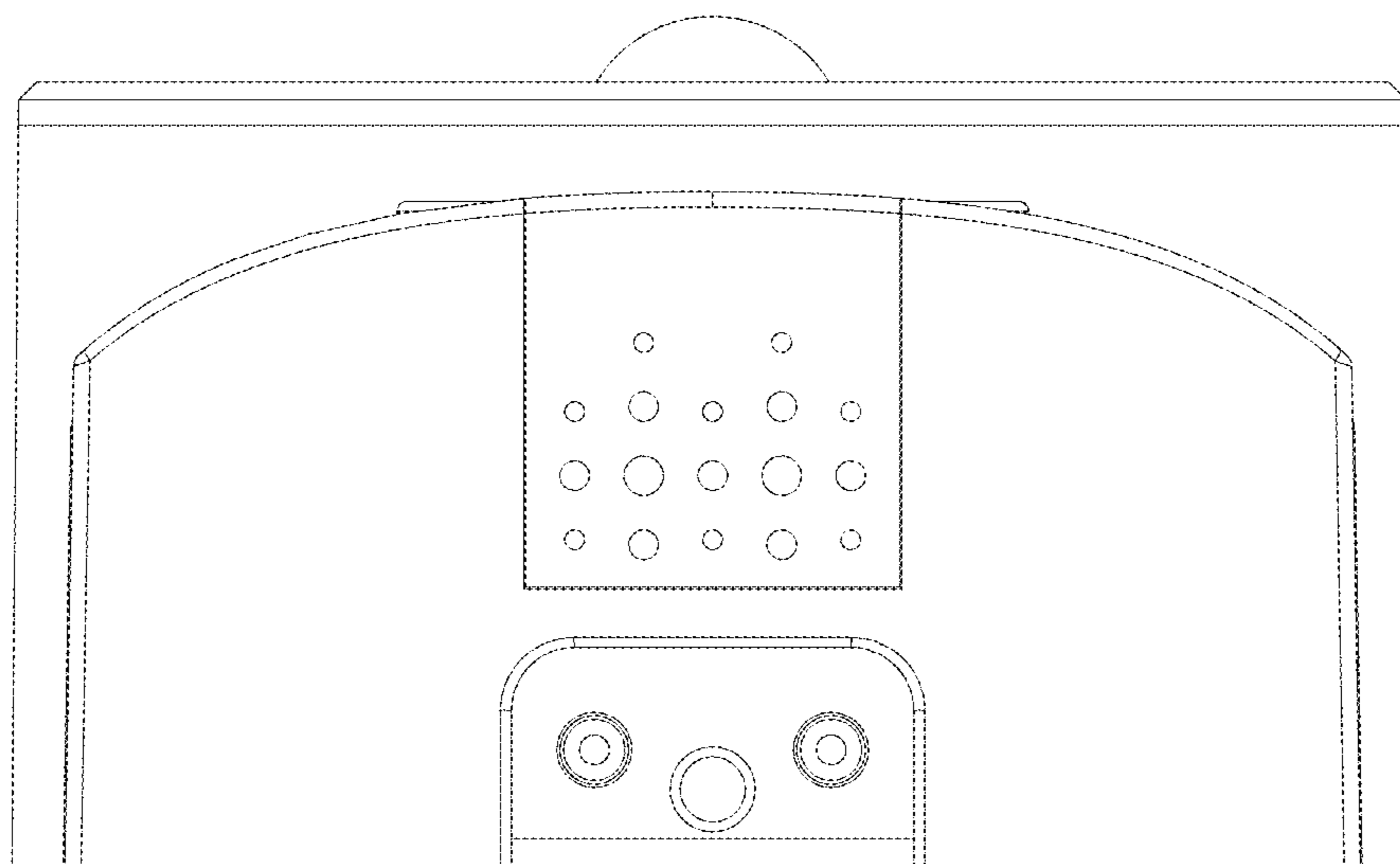


FIG. 6

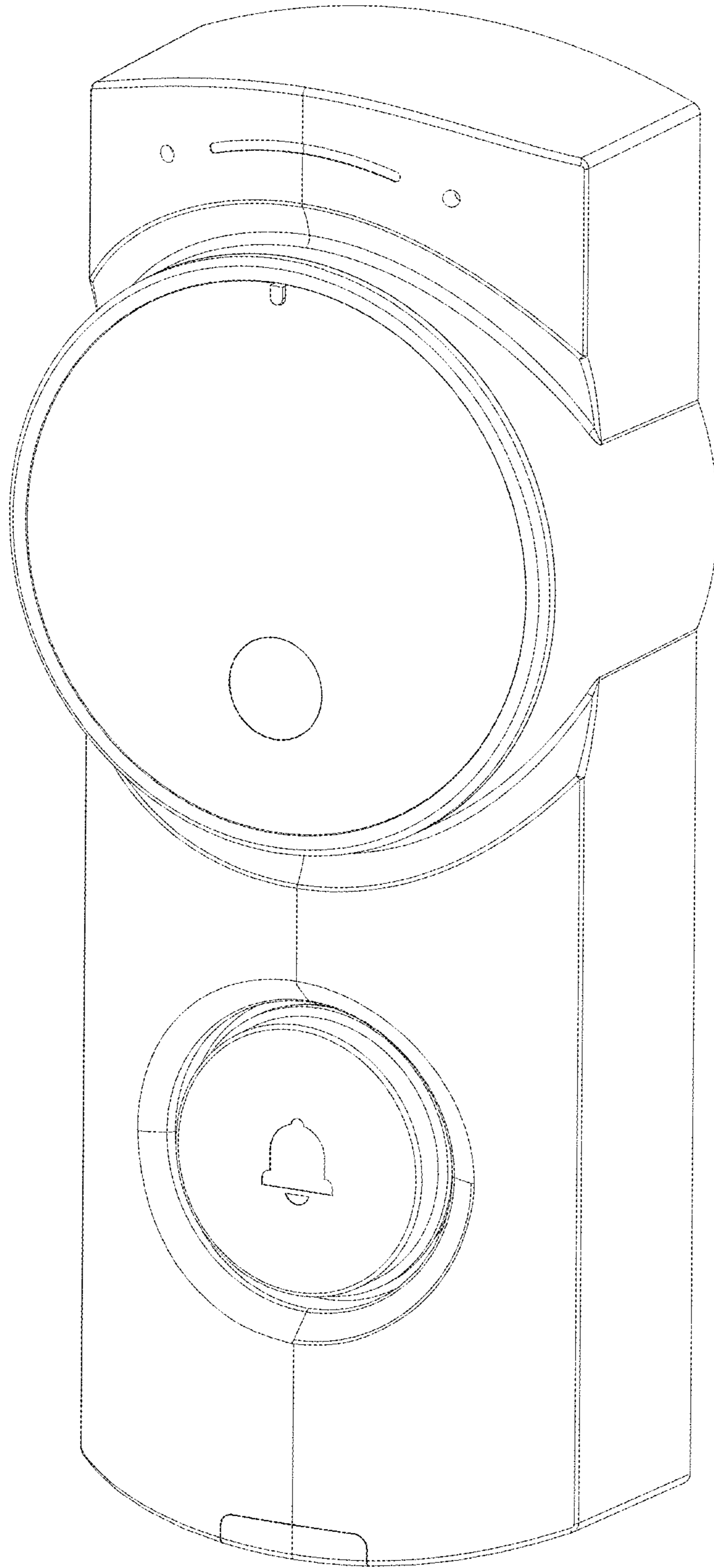


FIG. 7

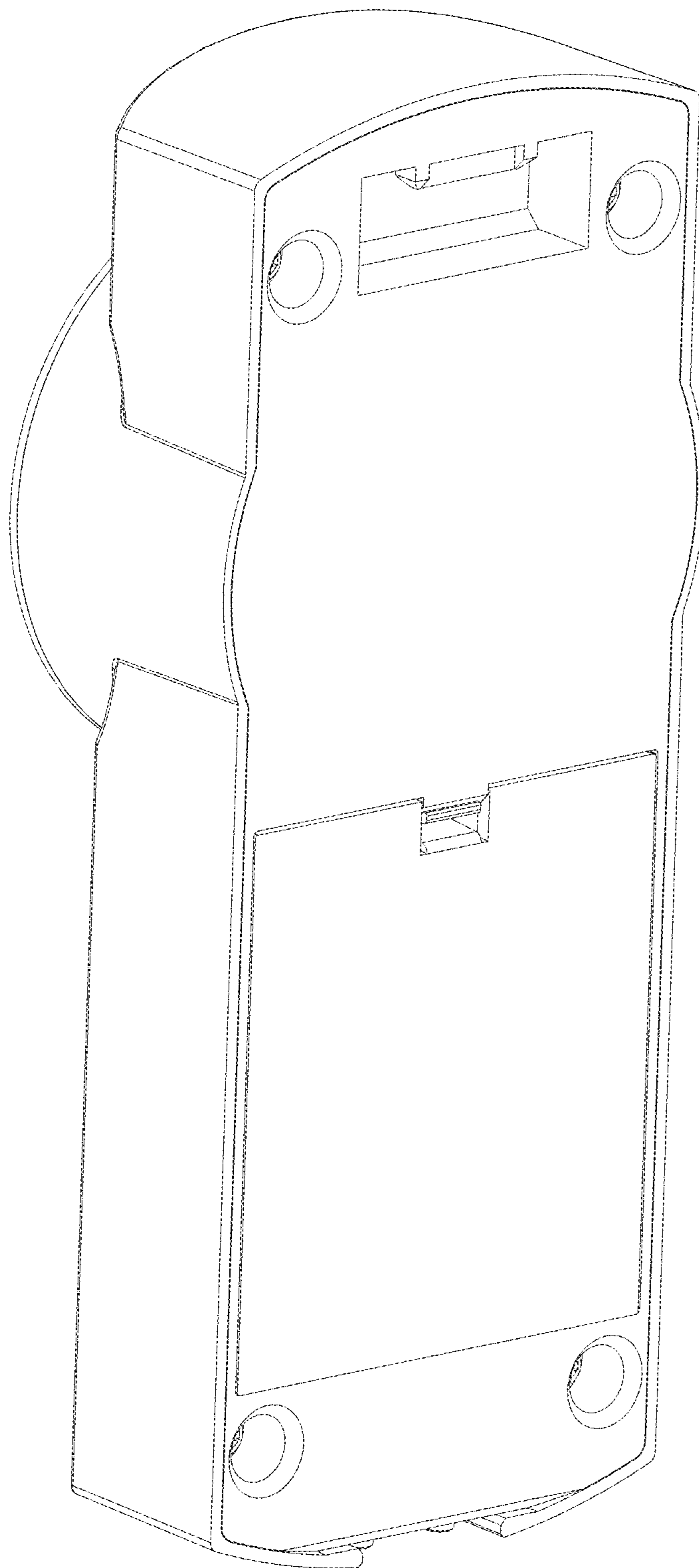


FIG. 8

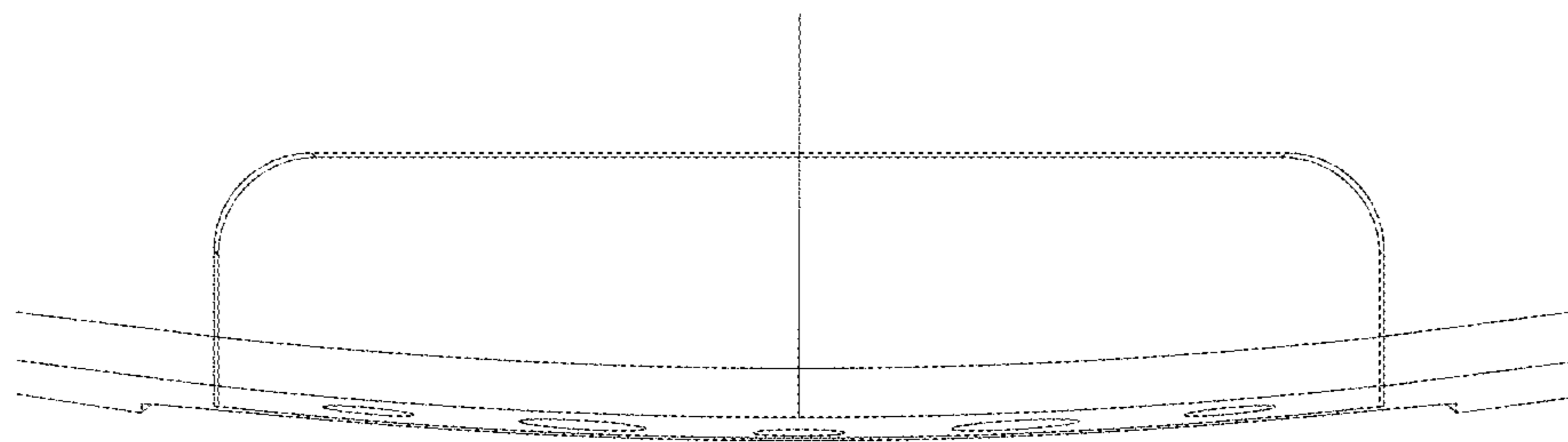


FIG. 9

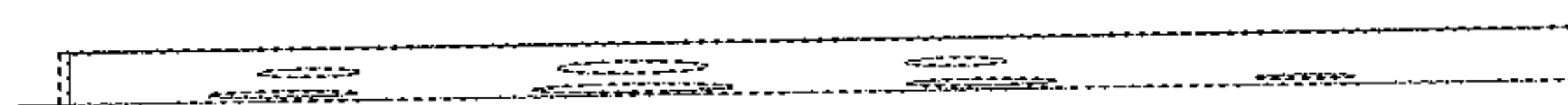


FIG. 10

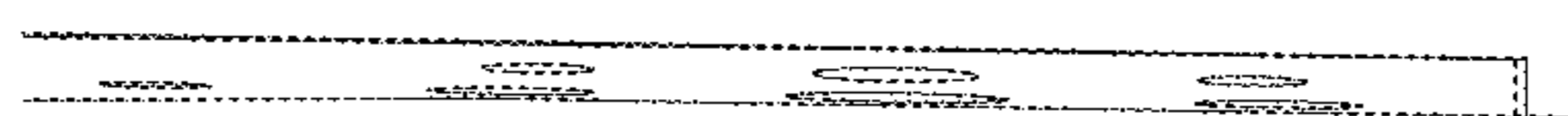


FIG. 11