



US00D841507S

(12) **United States Design Patent** (10) **Patent No.:** **US D841,507 S**
Counts (45) **Date of Patent:** **** *Feb. 26, 2019**

(54) **USER INTERFACE DISPLAY MODULE**

(71) Applicant: **Tyco Fire Products LP**, Lansdale, PA (US)

(72) Inventor: **Brian Lee Counts**, Menominee, MI (US)

(73) Assignee: **Tyco Fire Products LP**, Lansdale, PA (US)

(*) Notice: This patent is subject to a terminal disclaimer.

(**) Term: **15 Years**

(21) Appl. No.: **29/560,735**

(22) Filed: **Apr. 8, 2016**

(51) **LOC (11) Cl.** **10-05**

(52) **U.S. Cl.**
USPC **D10/106.95**

(58) **Field of Classification Search**
USPC D10/104.1, 106.1–106.95, 116.1, 118, D10/118.2, 119.1, 121, 125, 126, 132;
(Continued)

(56) **References Cited**

U.S. PATENT DOCUMENTS

D344,684 S * 3/1994 Metz D10/103
D394,218 S * 5/1998 Keto D10/50
(Continued)

Primary Examiner — George D. Kirschbaum

Assistant Examiner — Joseph J. Kukella

(74) *Attorney, Agent, or Firm* — Foley & Lardner LLP

(57) **CLAIM**

The ornamental design for the user interface display module, as shown and described.

DESCRIPTION

FIG. 1 is A Top Perspective View of A First Embodiment of a First user interface display module.

FIG. 2 is A Front View of the First Embodiment of the user interface display module.

FIG. 3 is A Rear View of the First Embodiment of the user interface display module.

FIG. 4 is A Left Side View of the First Embodiment of the user interface display module.

FIG. 5 is A Right Side View of the First Embodiment of the user interface display module.

FIG. 6 is A Top View of the First Embodiment of the user interface display module.

FIG. 7 is A Bottom View of the First Embodiment of the user interface display module.

FIG. 8 is A Top Perspective View Showing A Second Embodiment Of the First user interface display module.

FIG. 9 is A Front View of the Second Embodiment of the First user interface display module.

FIG. 10 is A Rear View of the Second Embodiment of the First user interface display module.

FIG. 11 is A Left Side View of the Second Embodiment of the First user interface display module.

FIG. 12 is A Right Side View of the Second Embodiment of the First user interface display module.

FIG. 13 is A Top View of the Second Embodiment of the First user interface display module.

FIG. 14 is A Bottom View of the Second Embodiment of the First user interface display module.

FIG. 15 is A Top Perspective View Showing A Third Embodiment of the First user interface display module.

FIG. 16 is A Front View of the Third Embodiment of the First user interface display module.

FIG. 17 is A Rear View of the Third Embodiment of the First user interface display module.

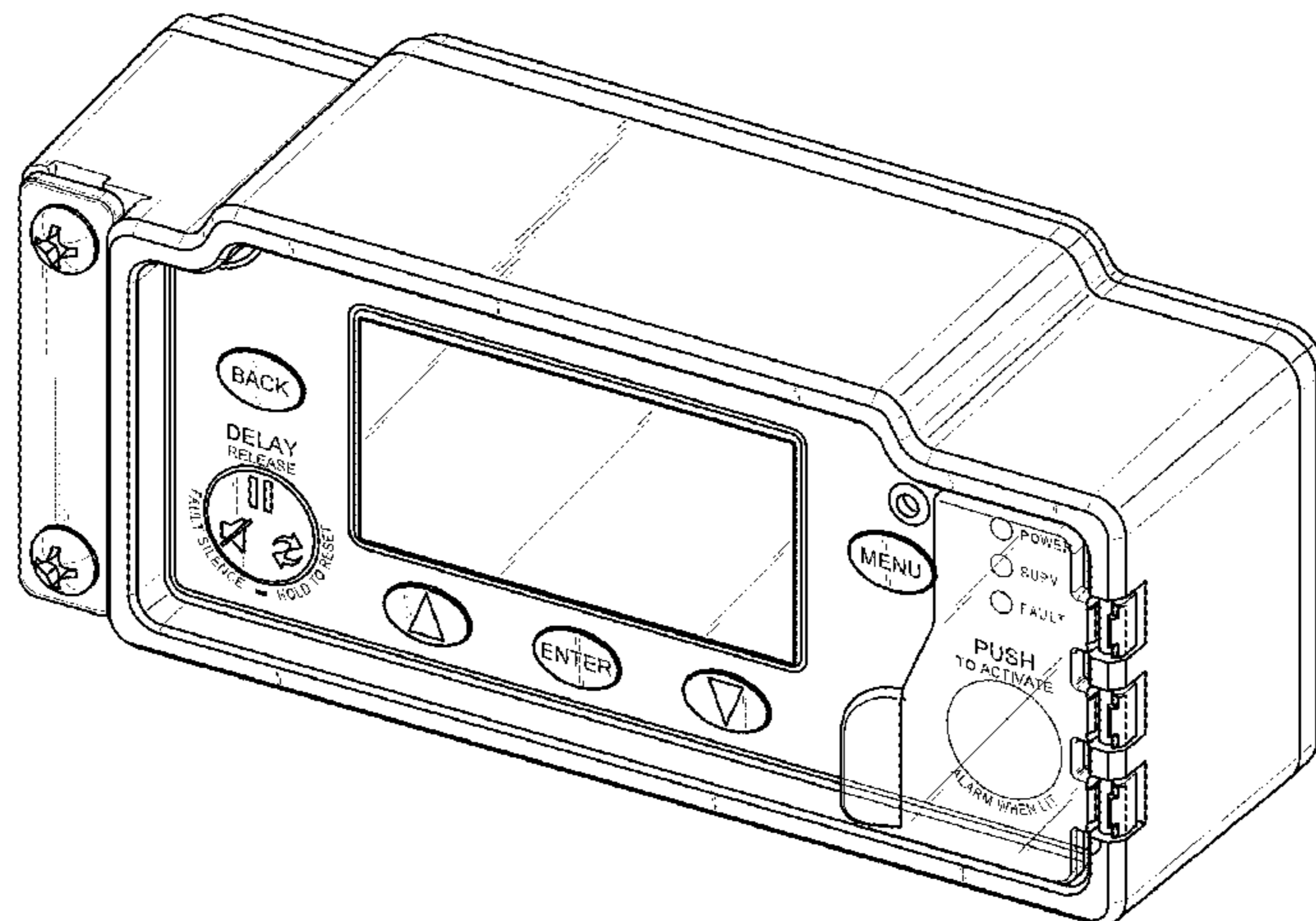
FIG. 18 is A Left Side View of the Third Embodiment of the First user interface display module.

FIG. 19 is A Right Side View of the Third Embodiment of the First user interface display module.

FIG. 20 is A Top View of the Third Embodiment of the First user interface display module; and,

FIG. 21 is A Bottom View of the Third Embodiment of the First user interface display module.

1 Claim, 18 Drawing Sheets



(58) **Field of Classification Search**

USPC D24/186; D14/155, 159, 172, 188, 204,
D14/209, 217, 219, 230

CPC G08B 17/06; G08B 17/10; G08B 17/103;
G08B 17/107; G08B 21/12; G08B 21/22;
G08B 15/00; H04M 11/02; H04M
11/025; H04N 7/186

See application file for complete search history.

(56) **References Cited**

U.S. PATENT DOCUMENTS

D573,496 S *	7/2008	Wakamatsu	D10/81
D598,109 S *	8/2009	Collins	D24/186
D613,411 S *	4/2010	Collins	D24/186
D698,447 S *	1/2014	Marzynski	D24/186
D733,892 S *	7/2015	Fries	D24/186
D741,497 S *	10/2015	Aber	D24/167
D745,833 S *	12/2015	Counts	D10/106.95
D765,257 S *	8/2016	Marzynski	D24/186
D765,258 S *	8/2016	Marzynski	D24/186

* cited by examiner

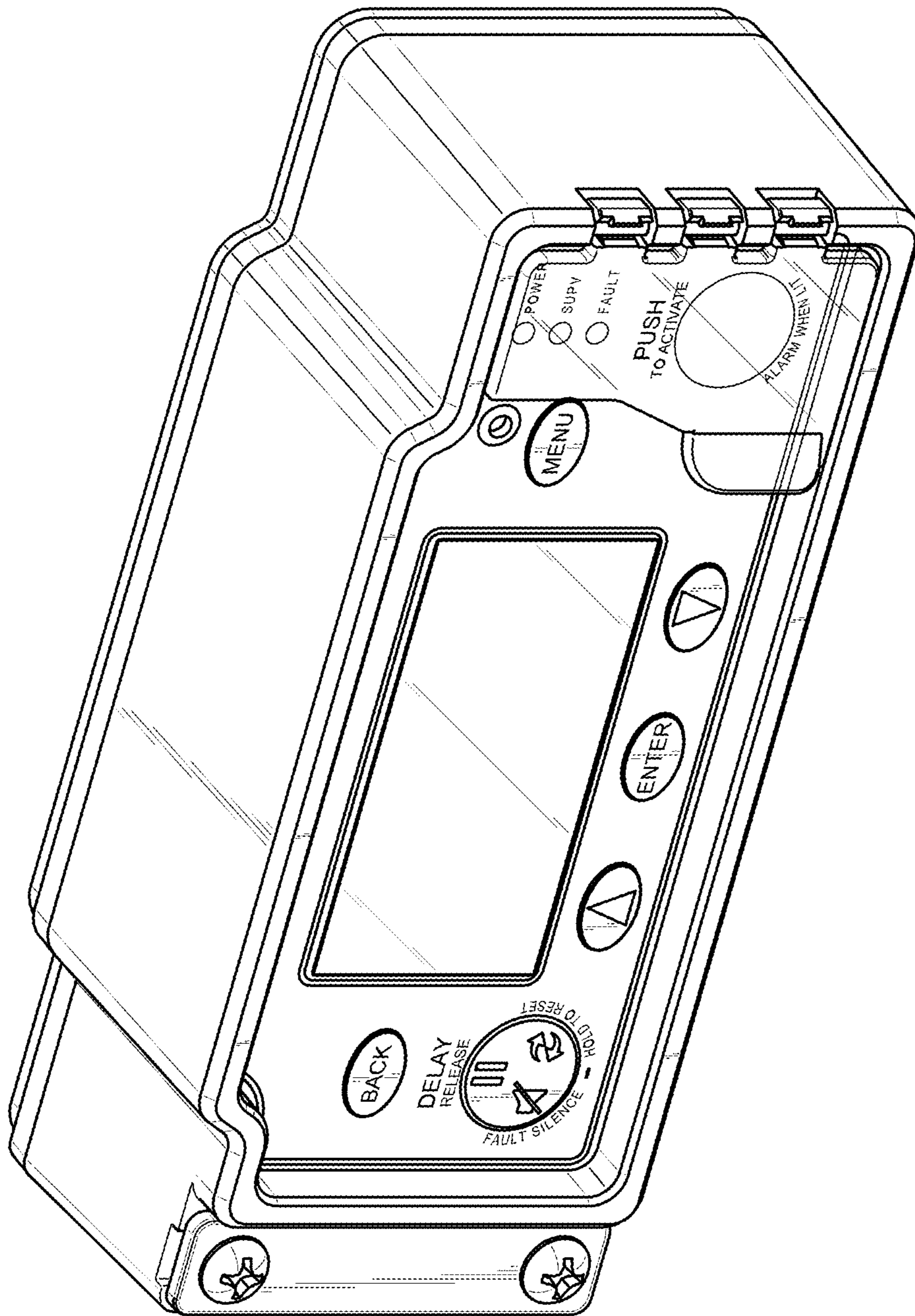


Fig. 1

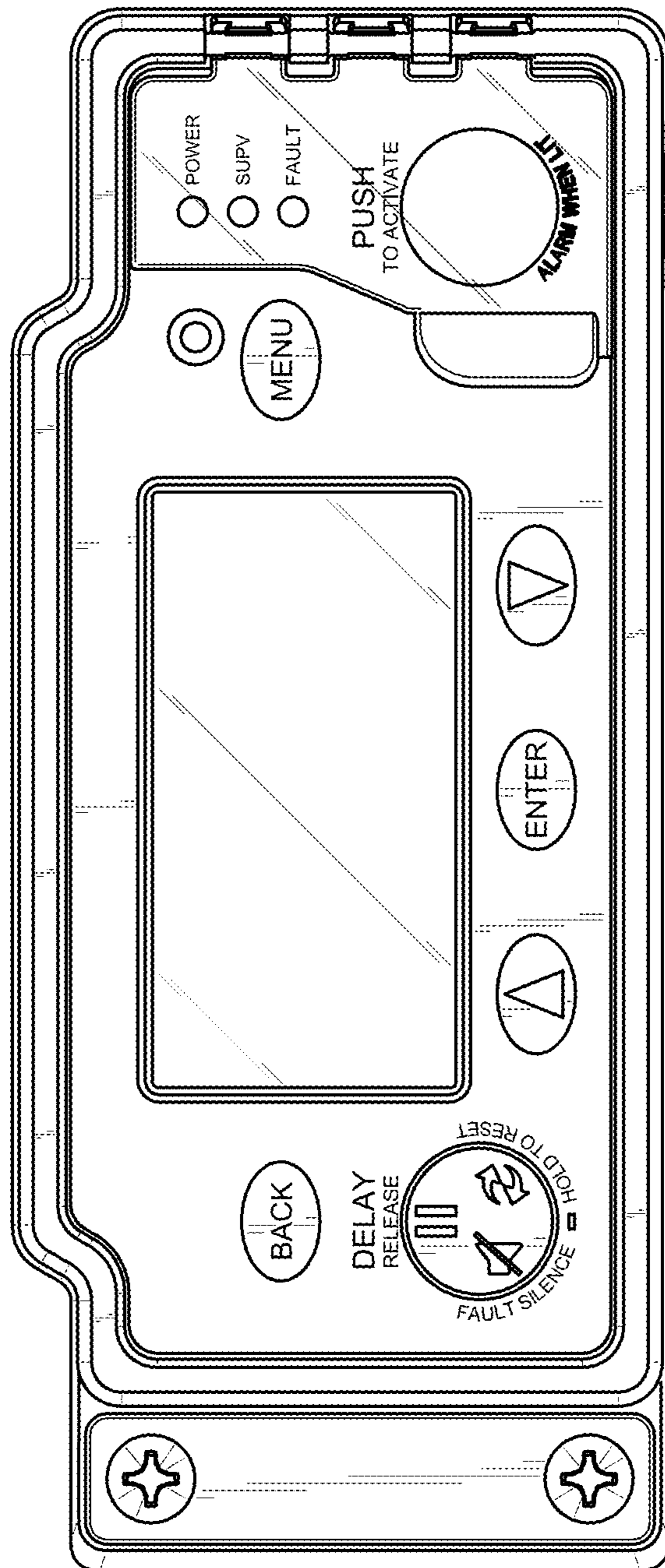


Fig. 2

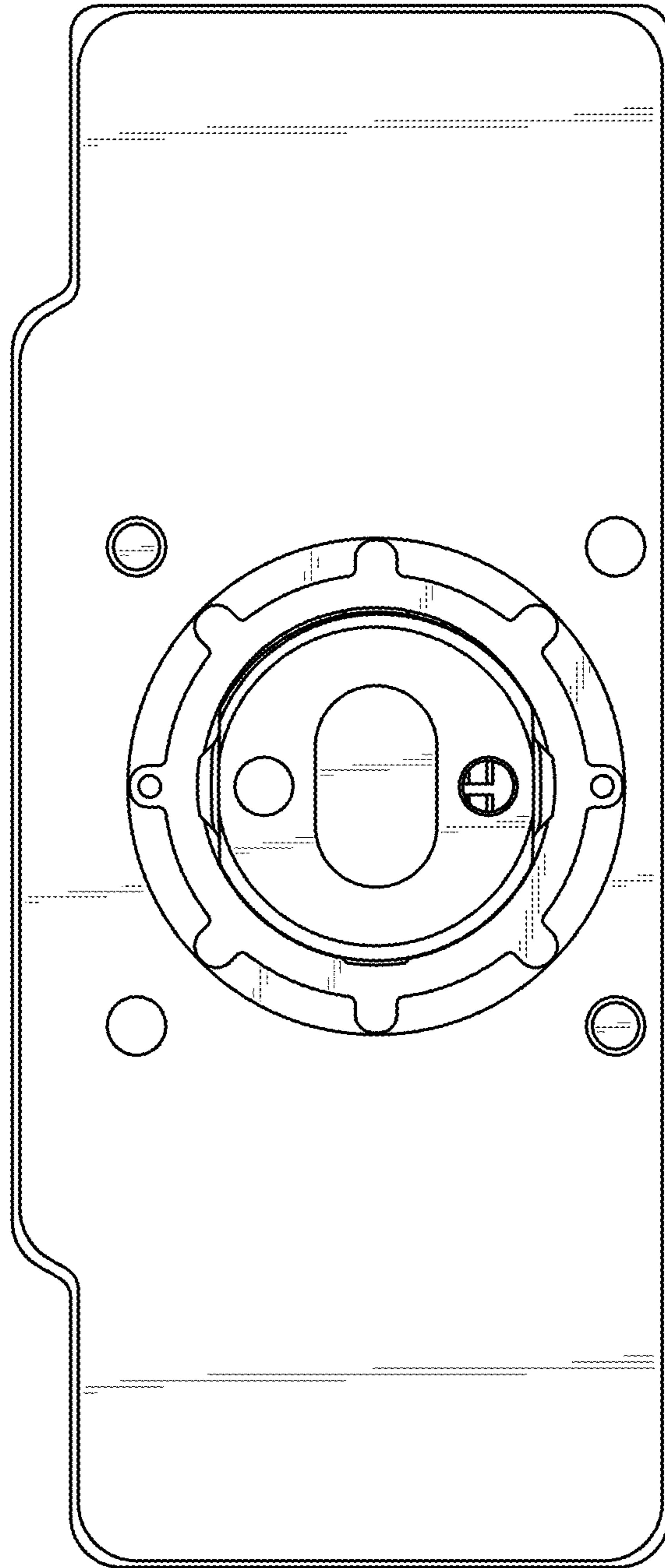


Fig. 3

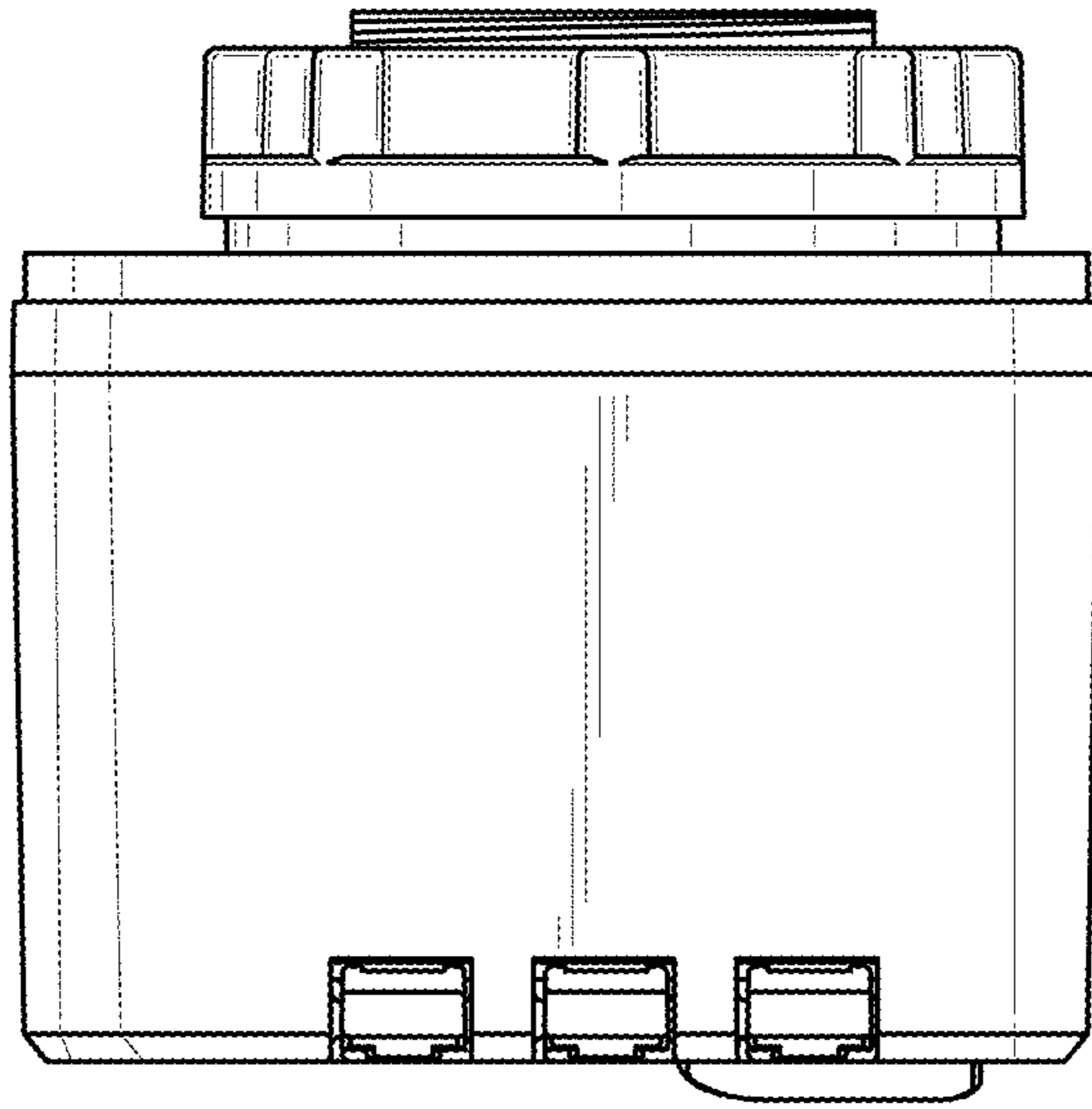


Fig. 5

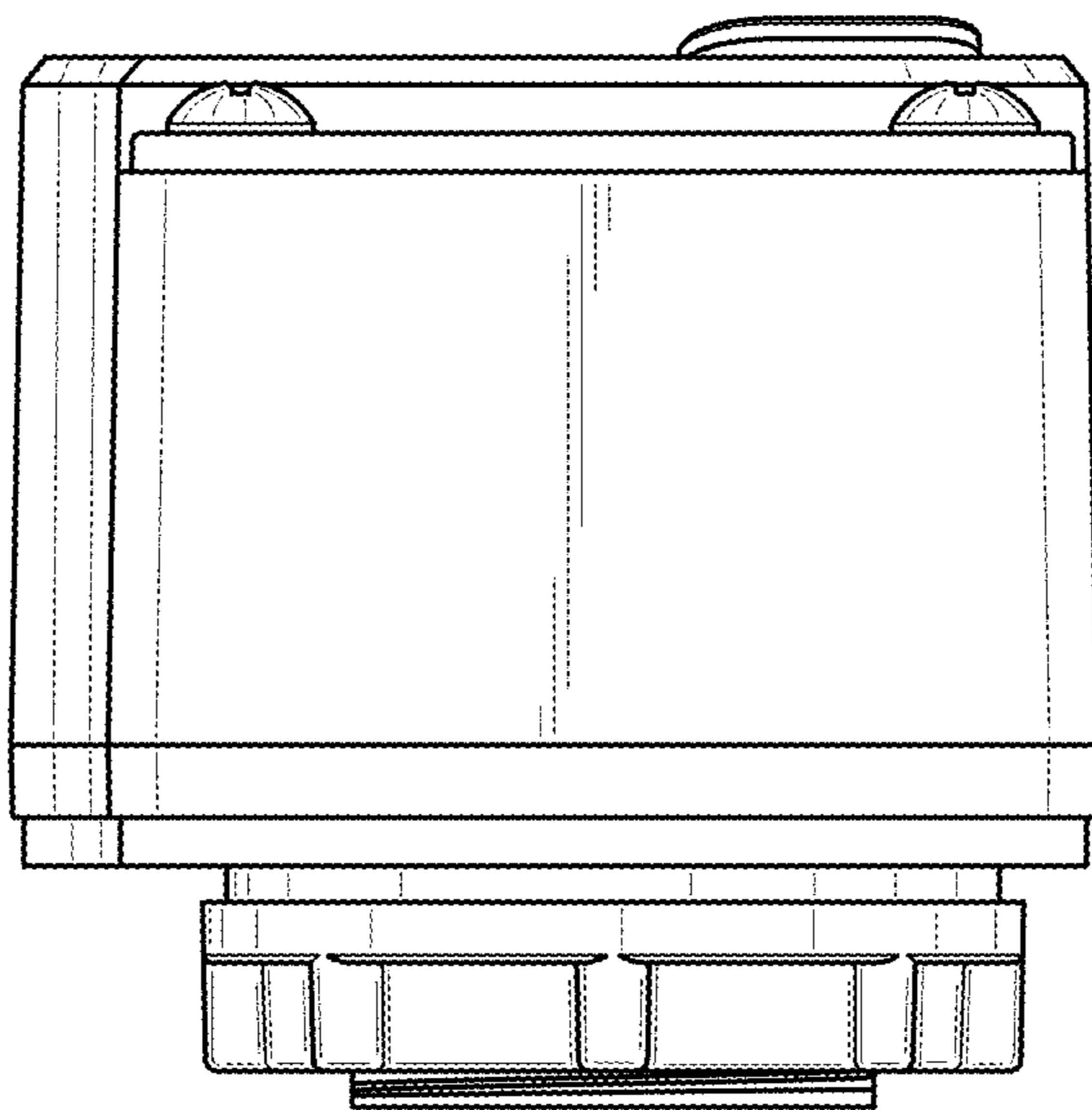


Fig. 4

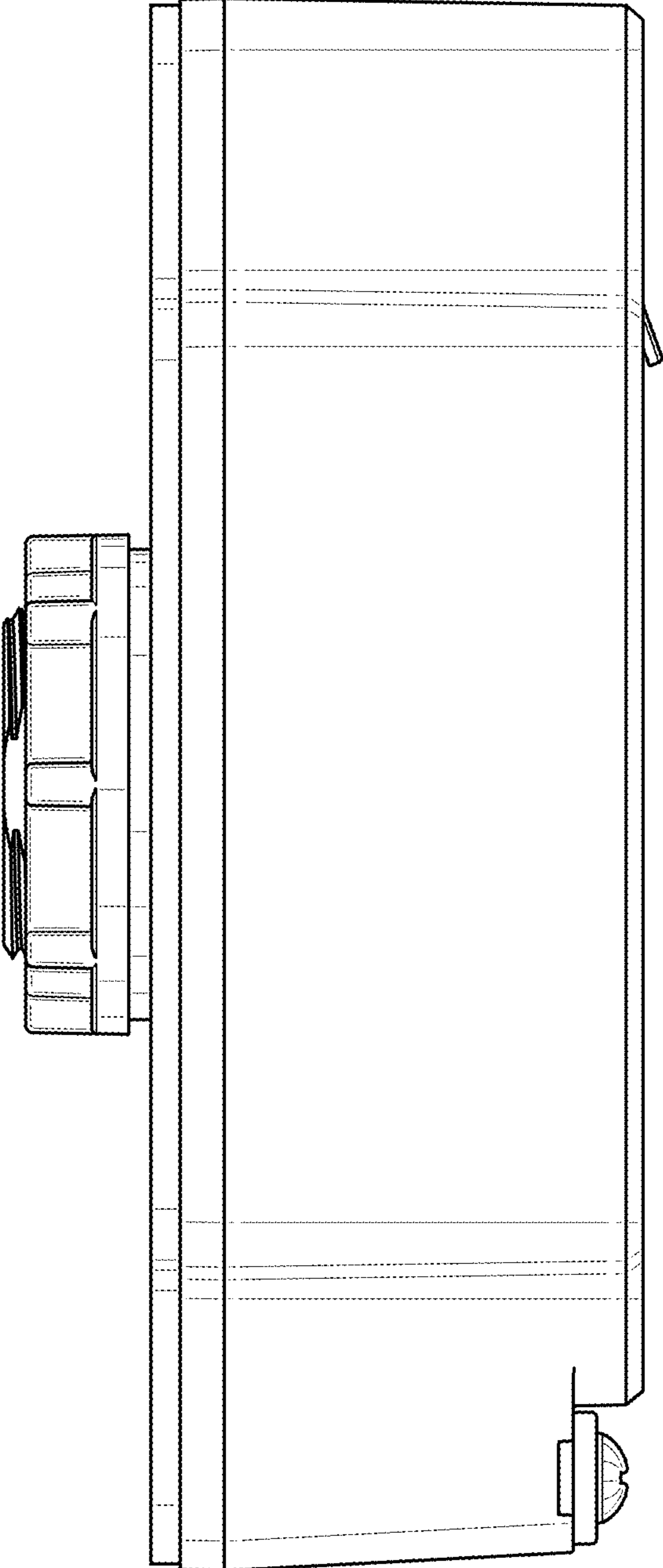


Fig. 6

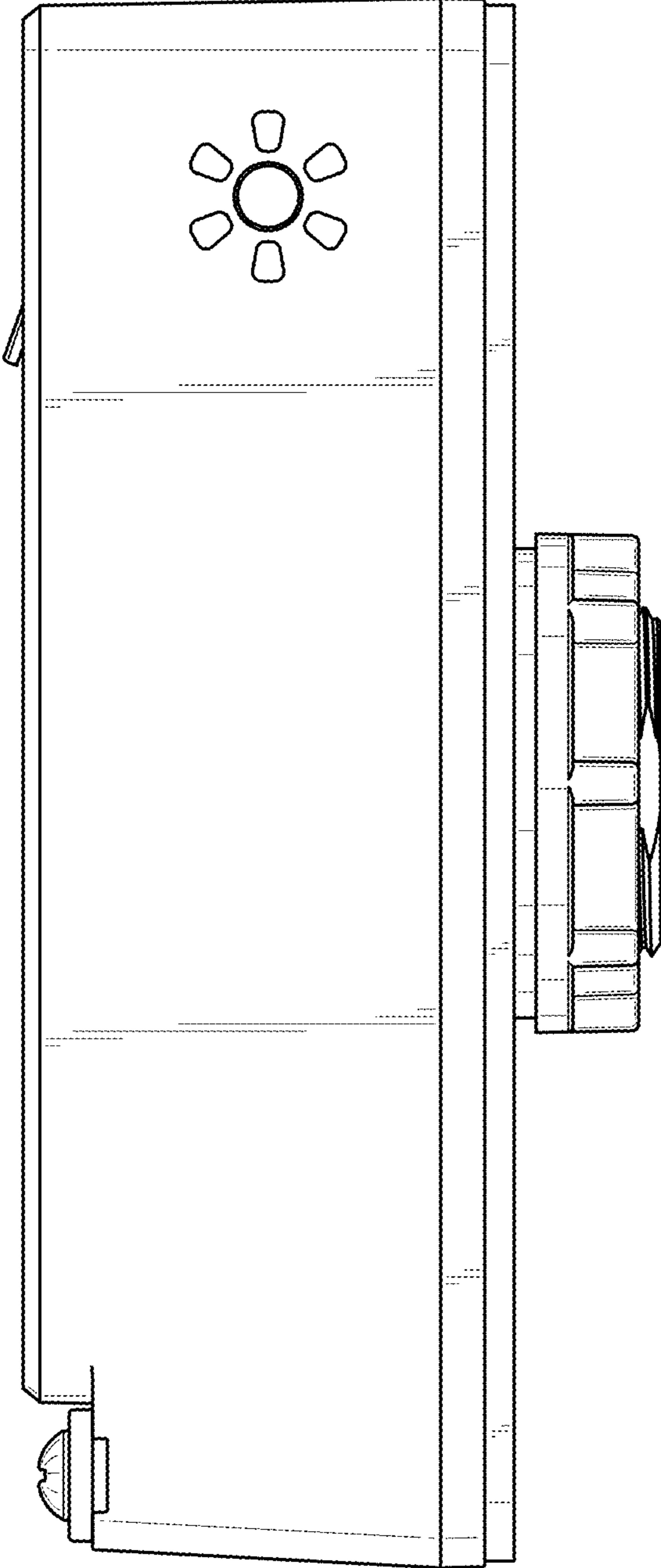


Fig. 7

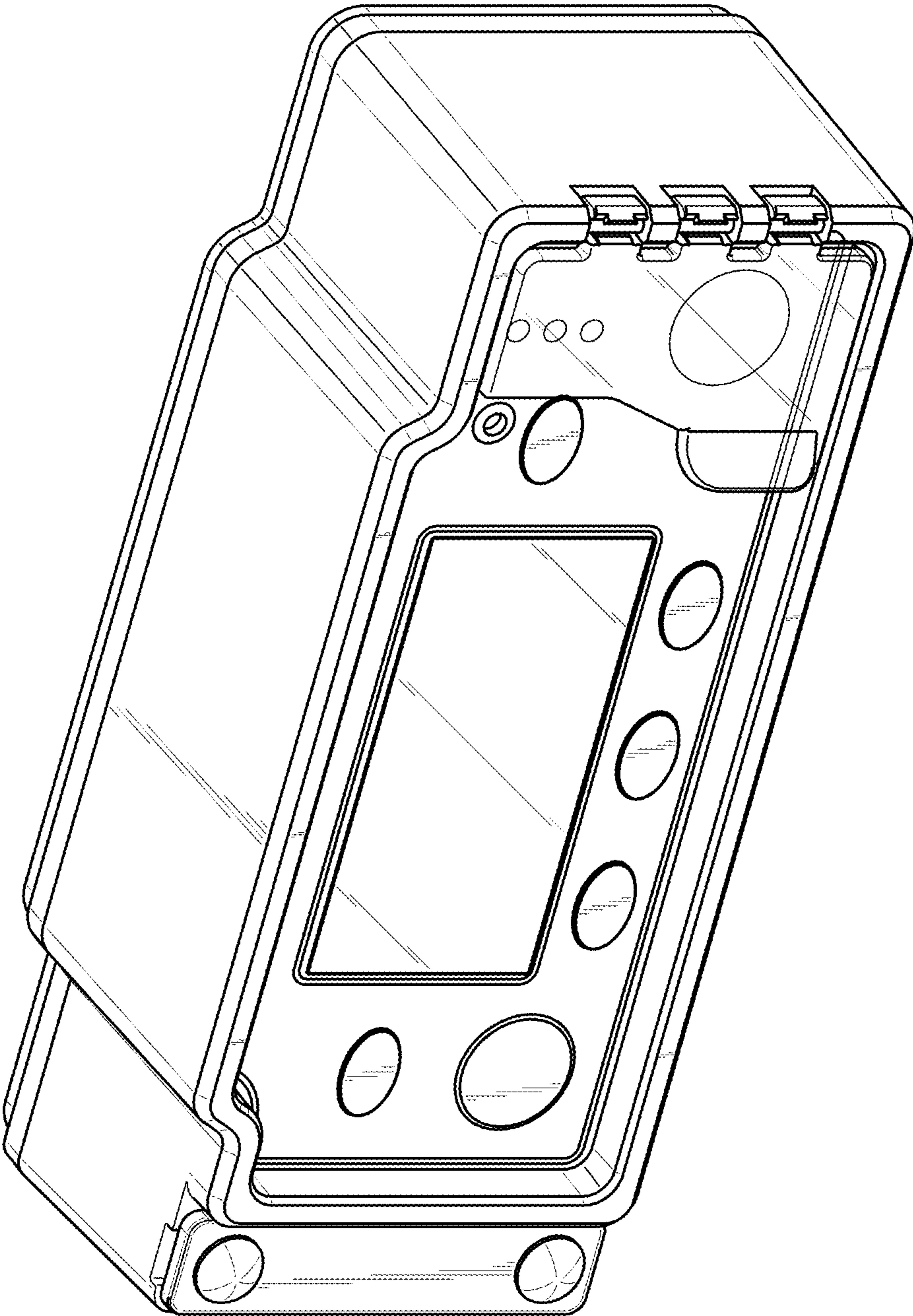


Fig. 8

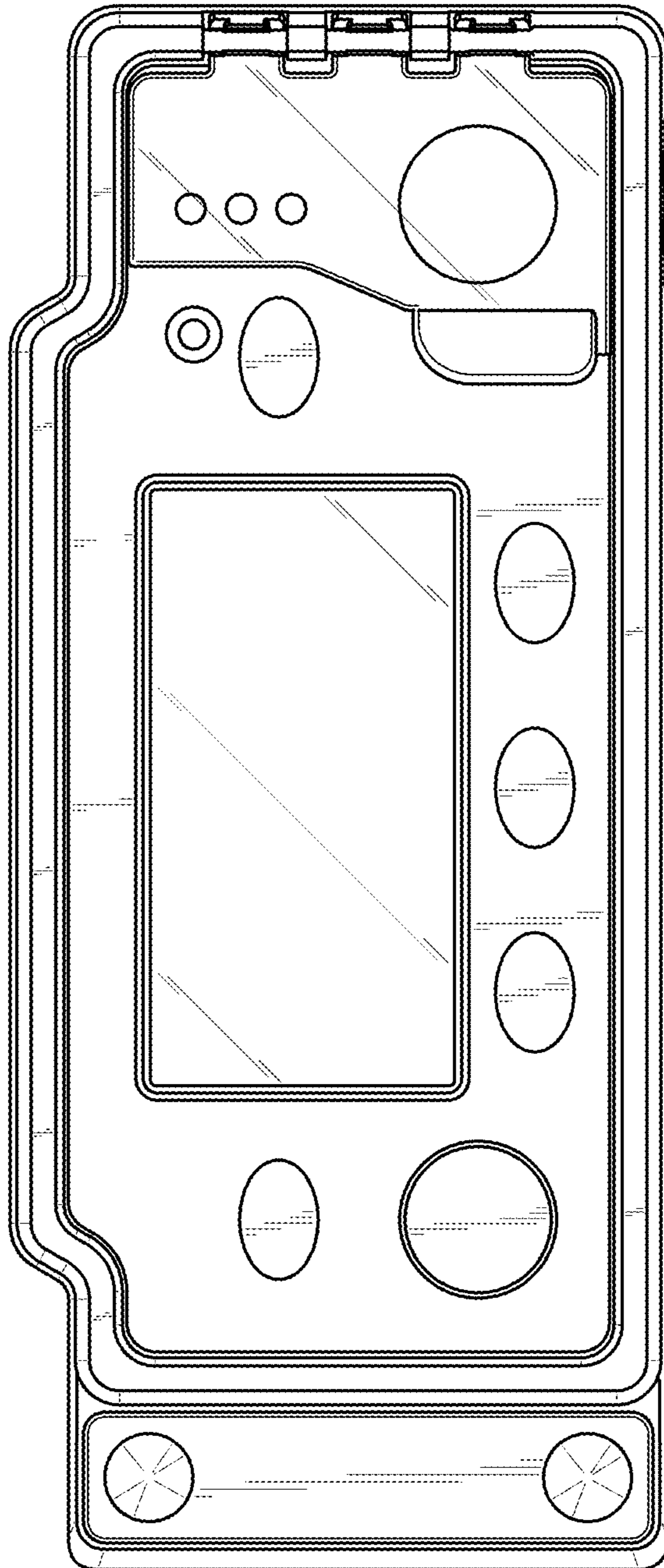


Fig. 9

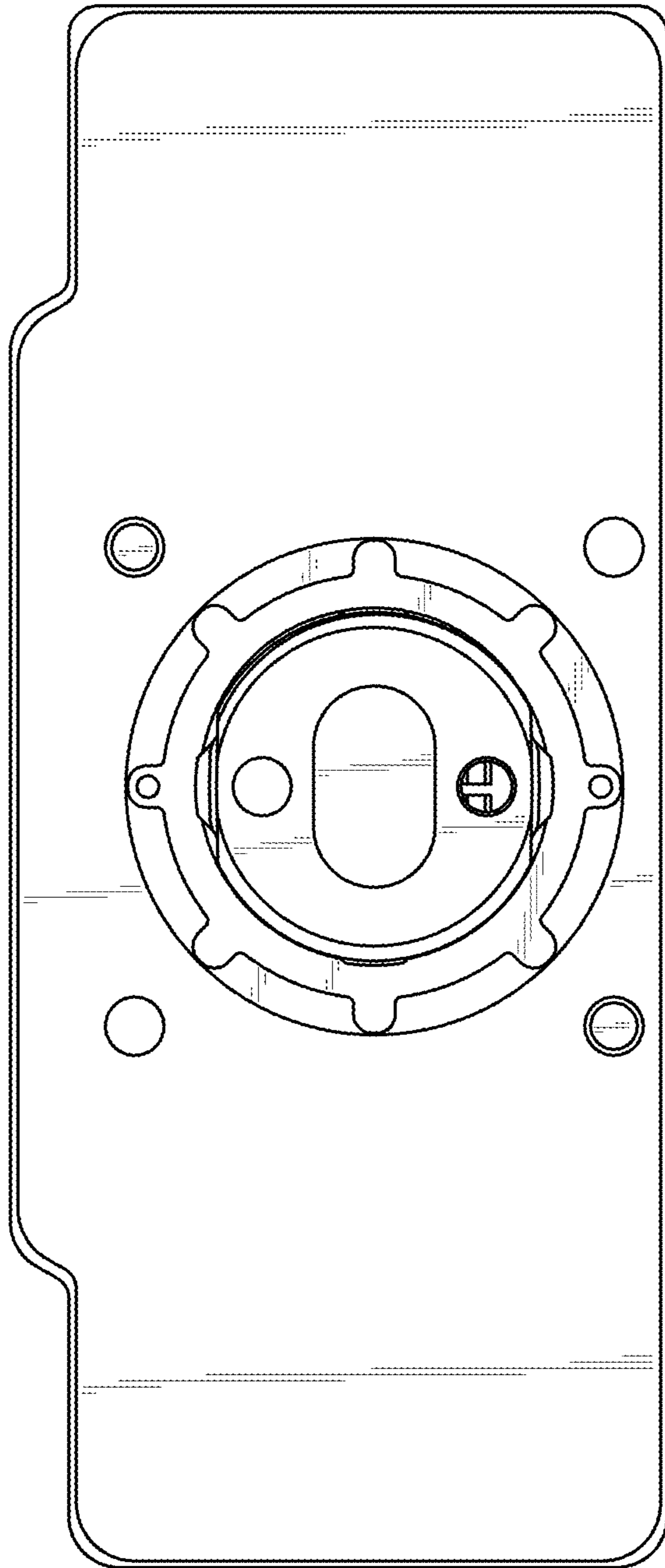


Fig. 10

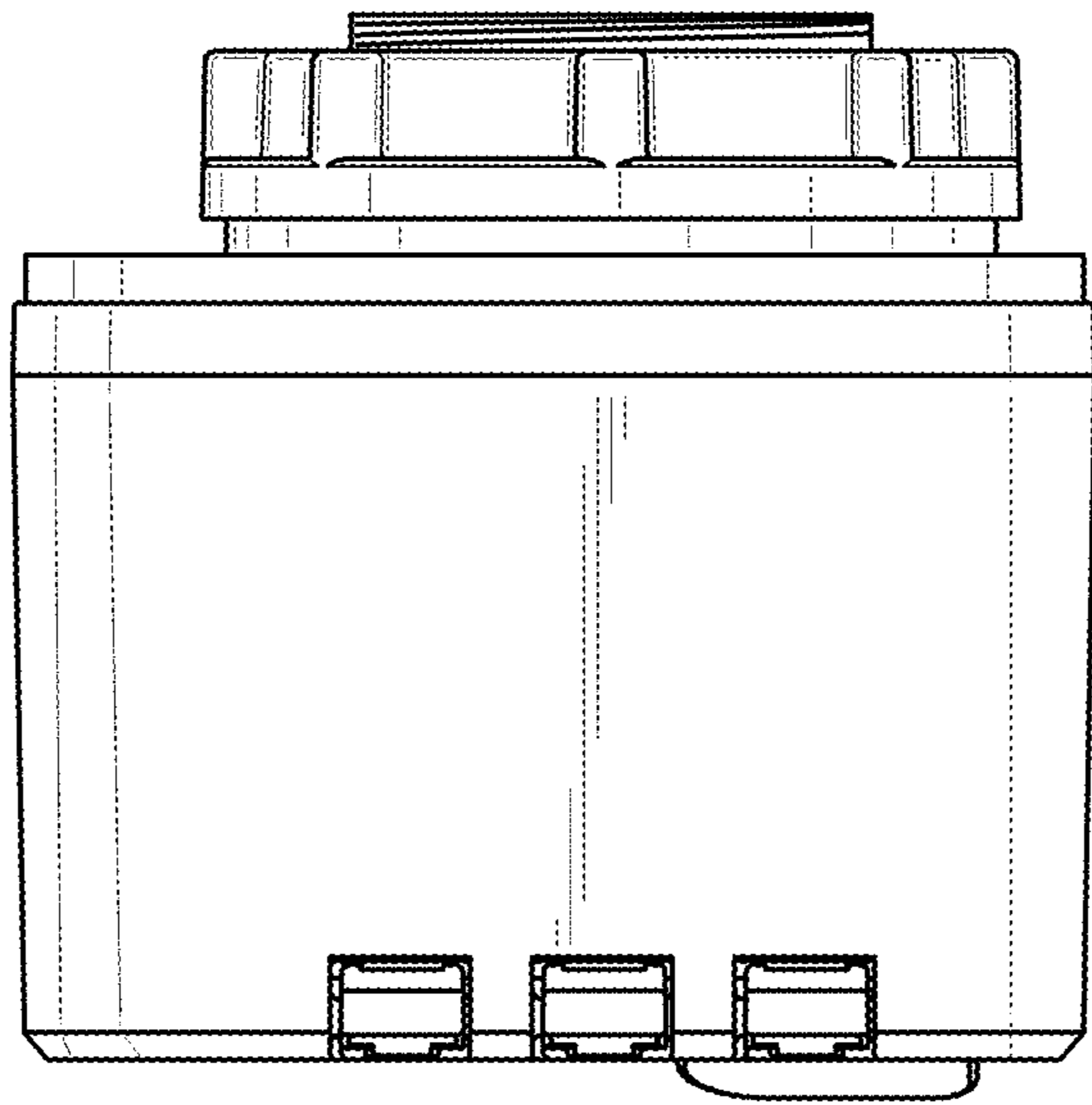


Fig. 12

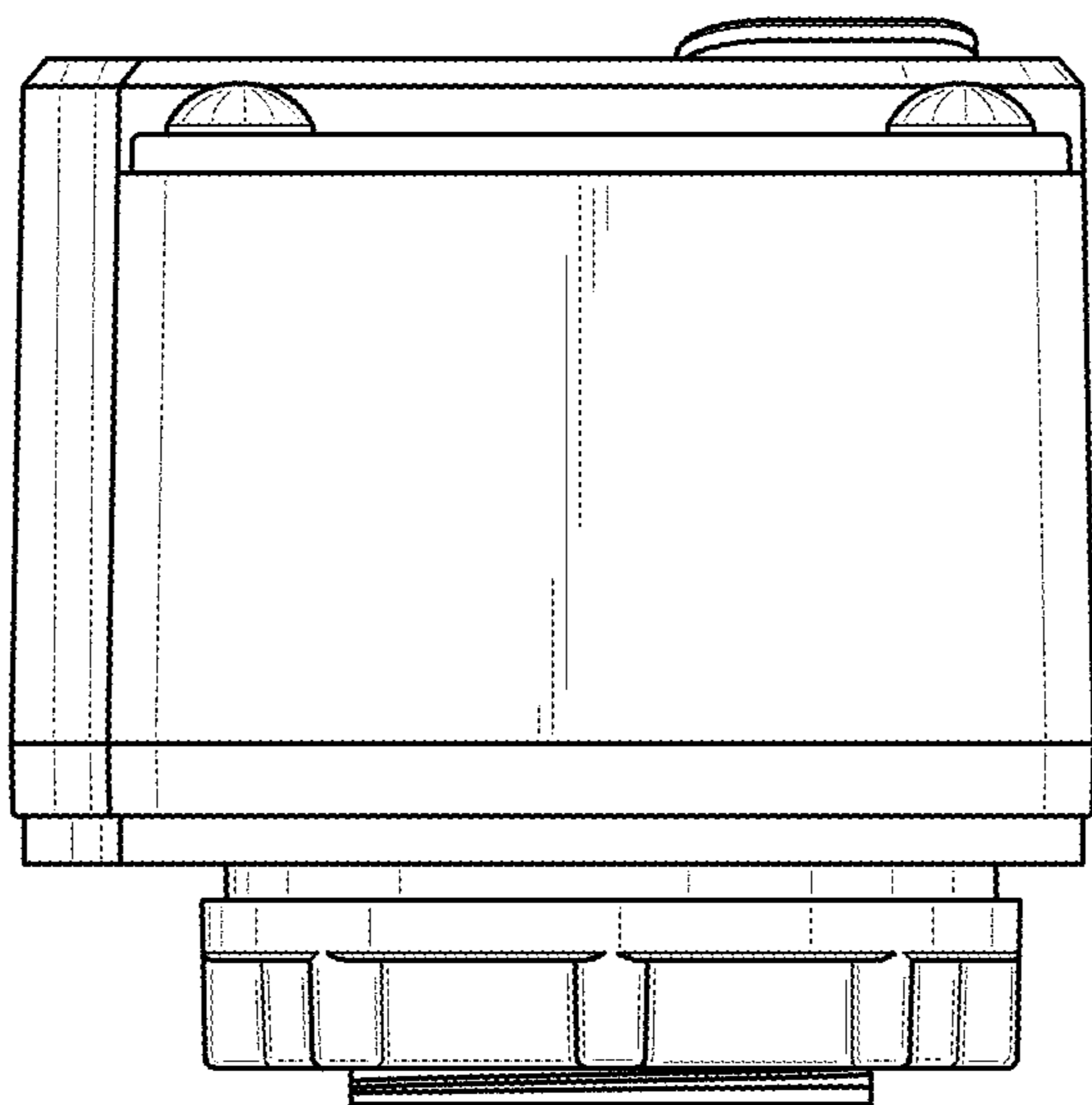


Fig. 11

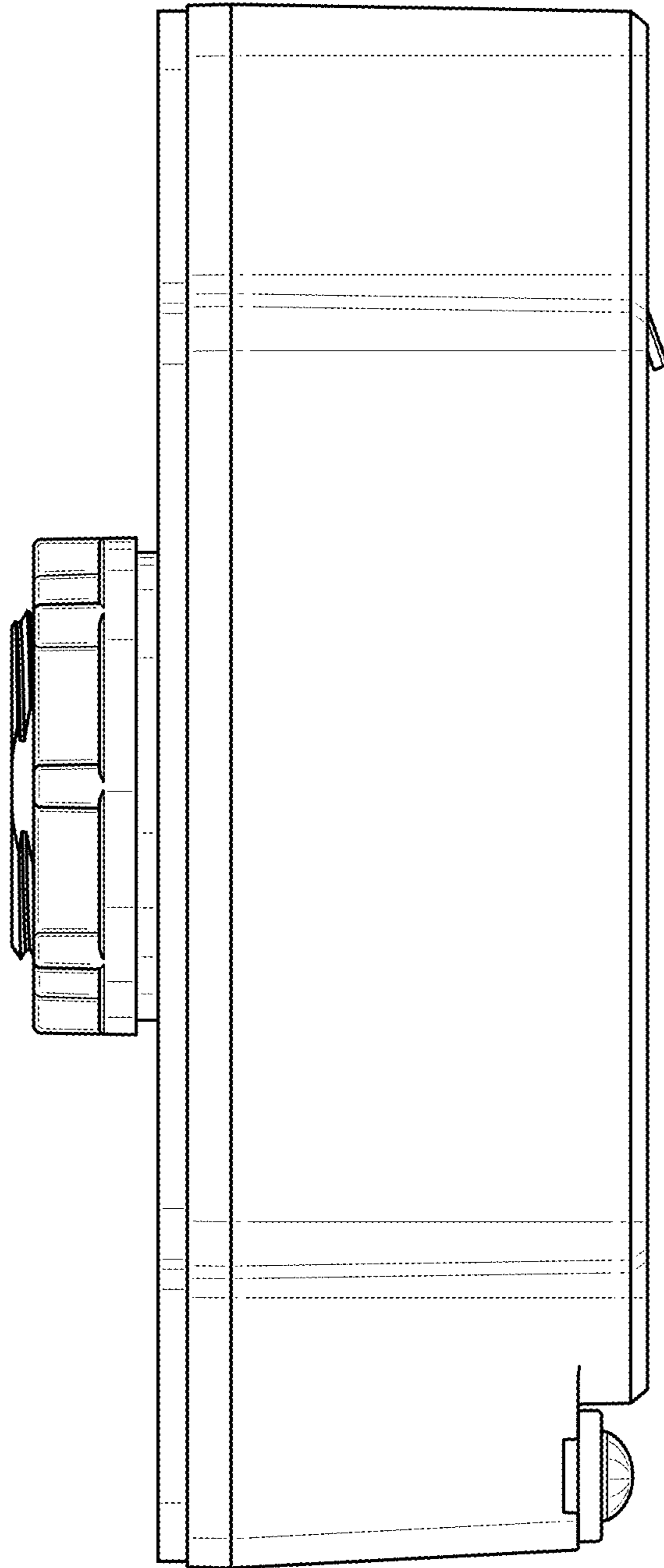


Fig. 13

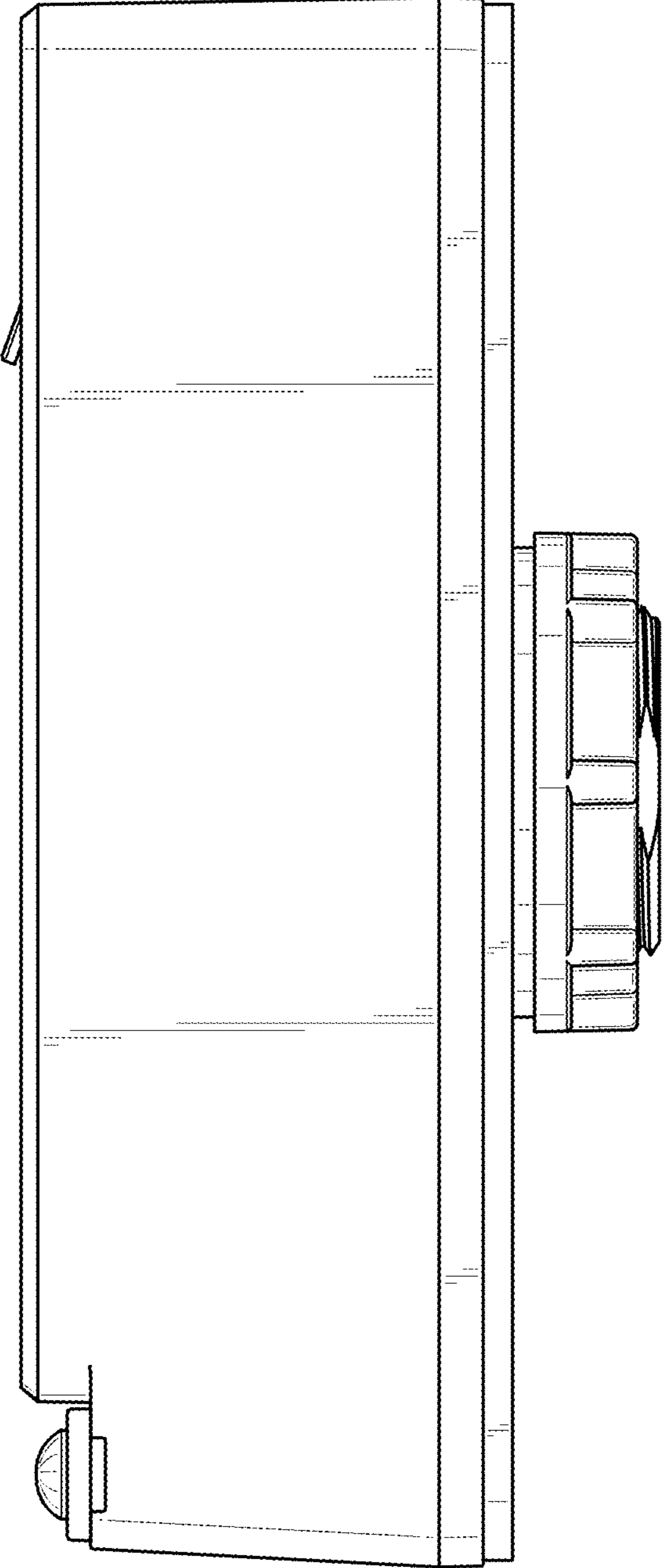


Fig. 14

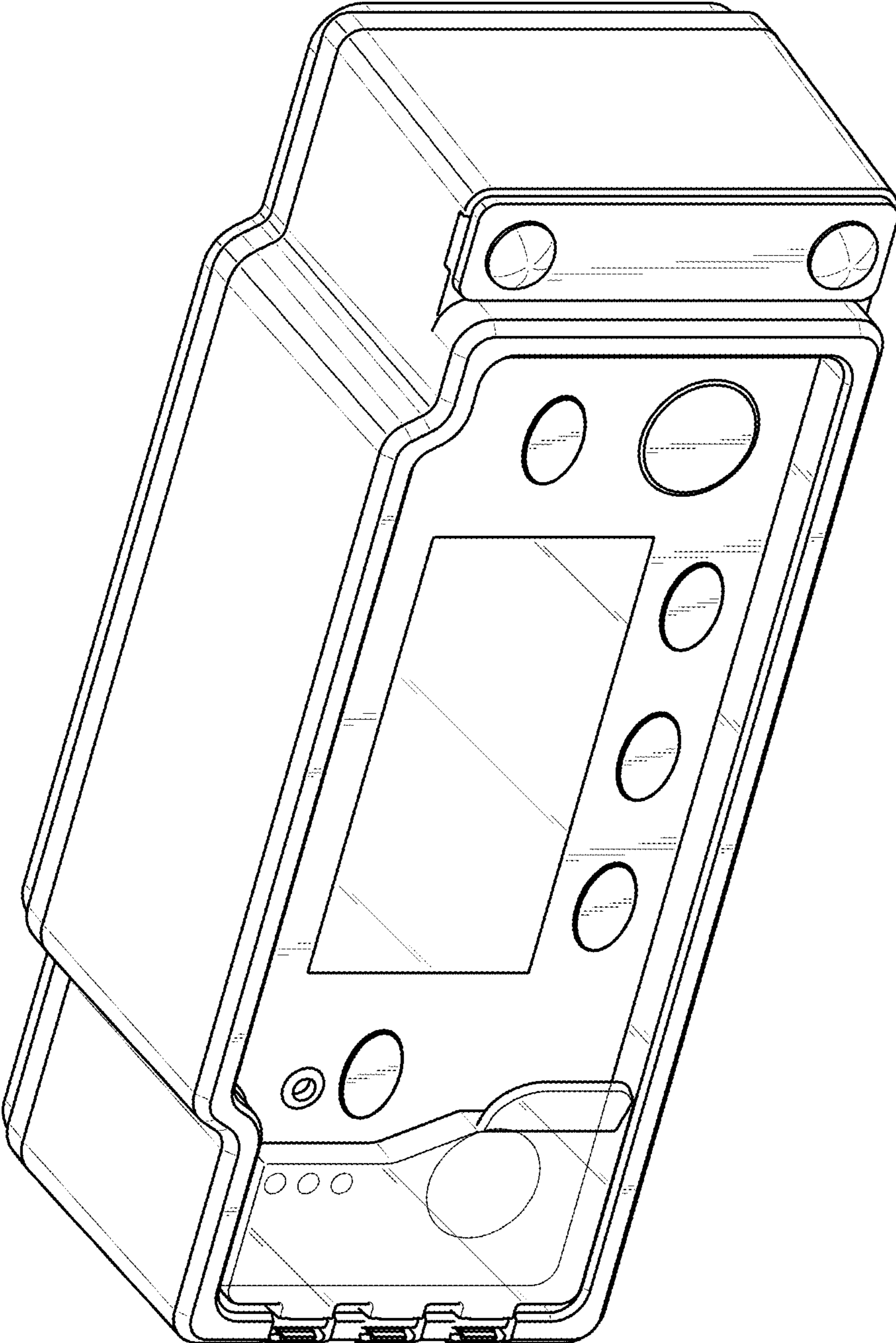


Fig. 15

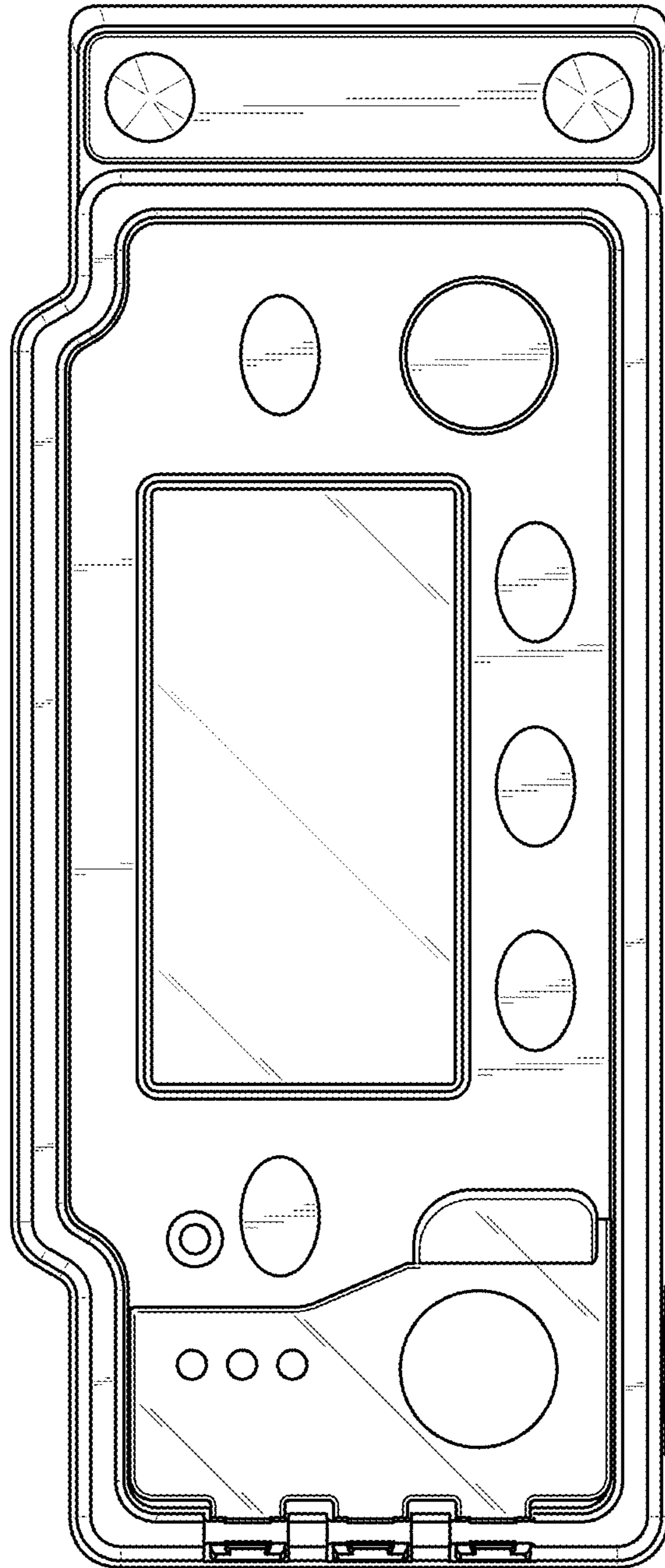


Fig. 16

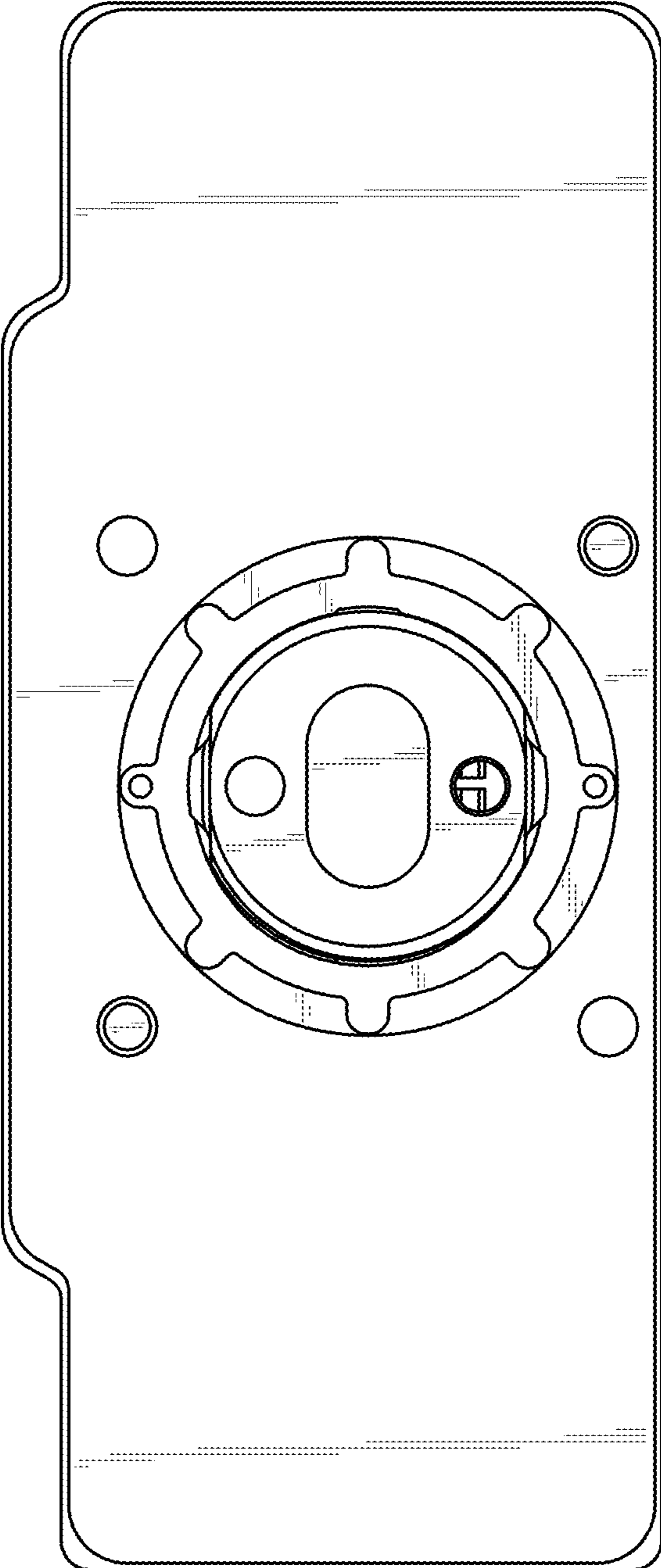


Fig. 17

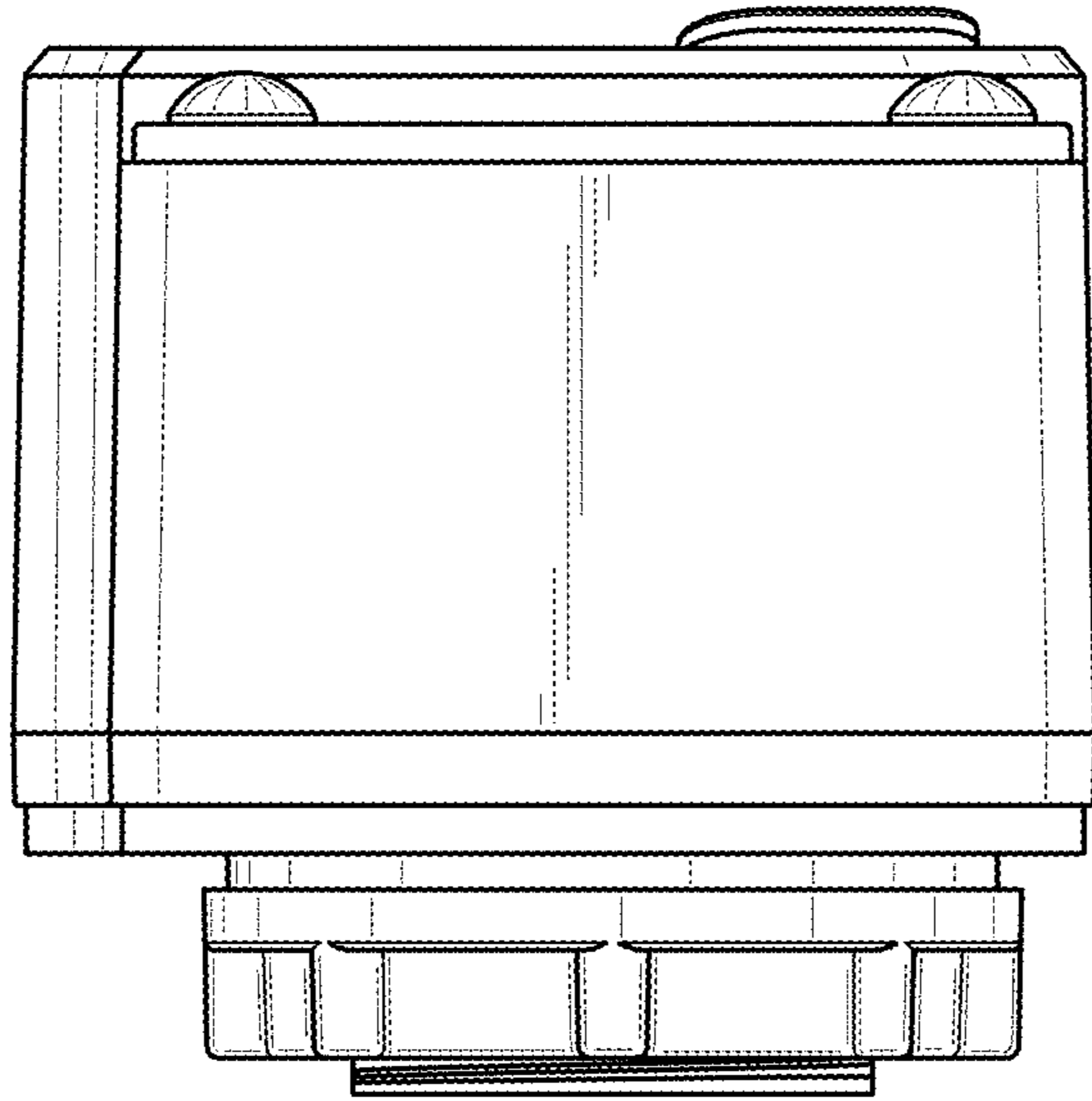


Fig. 19

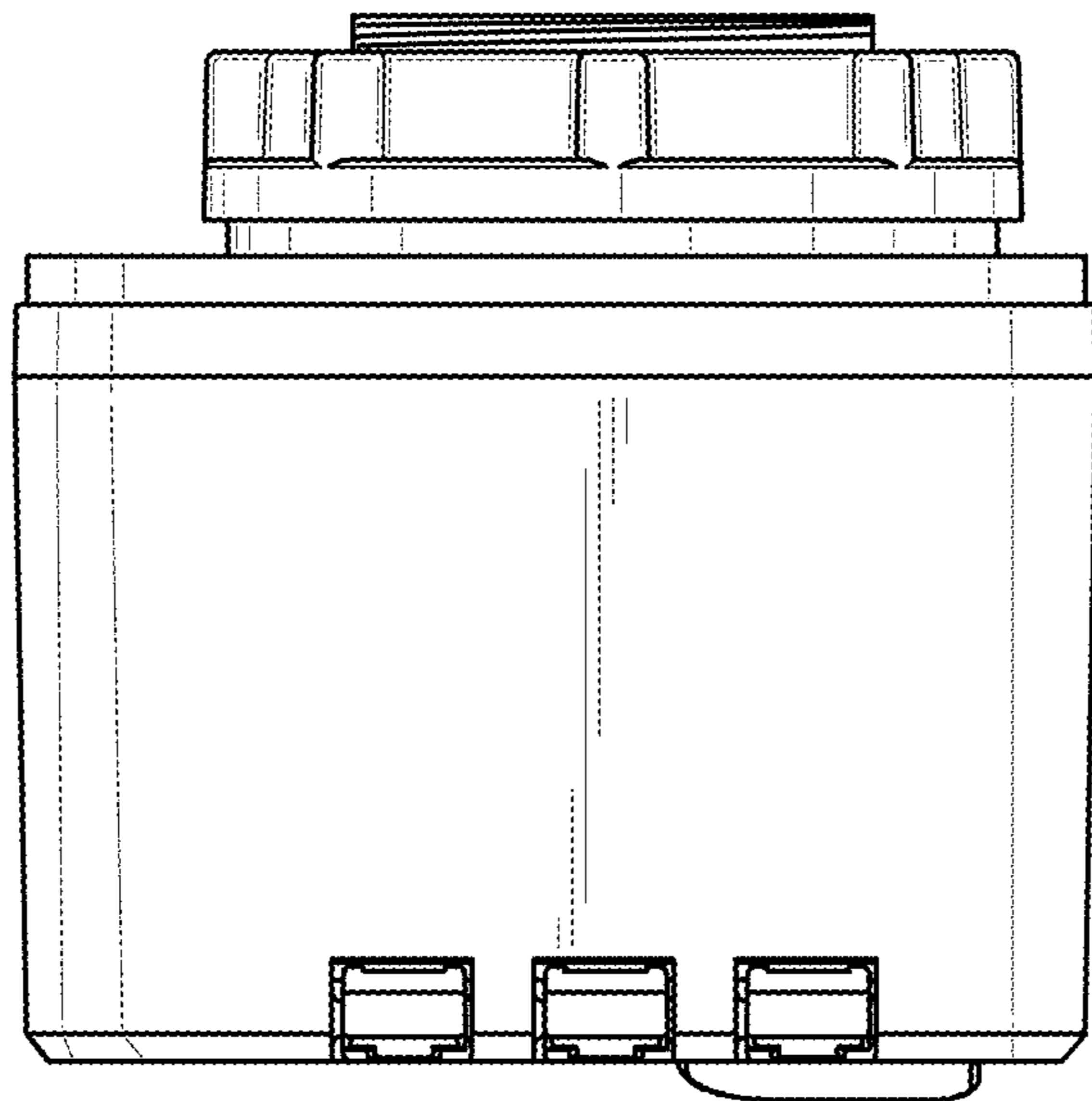


Fig. 18

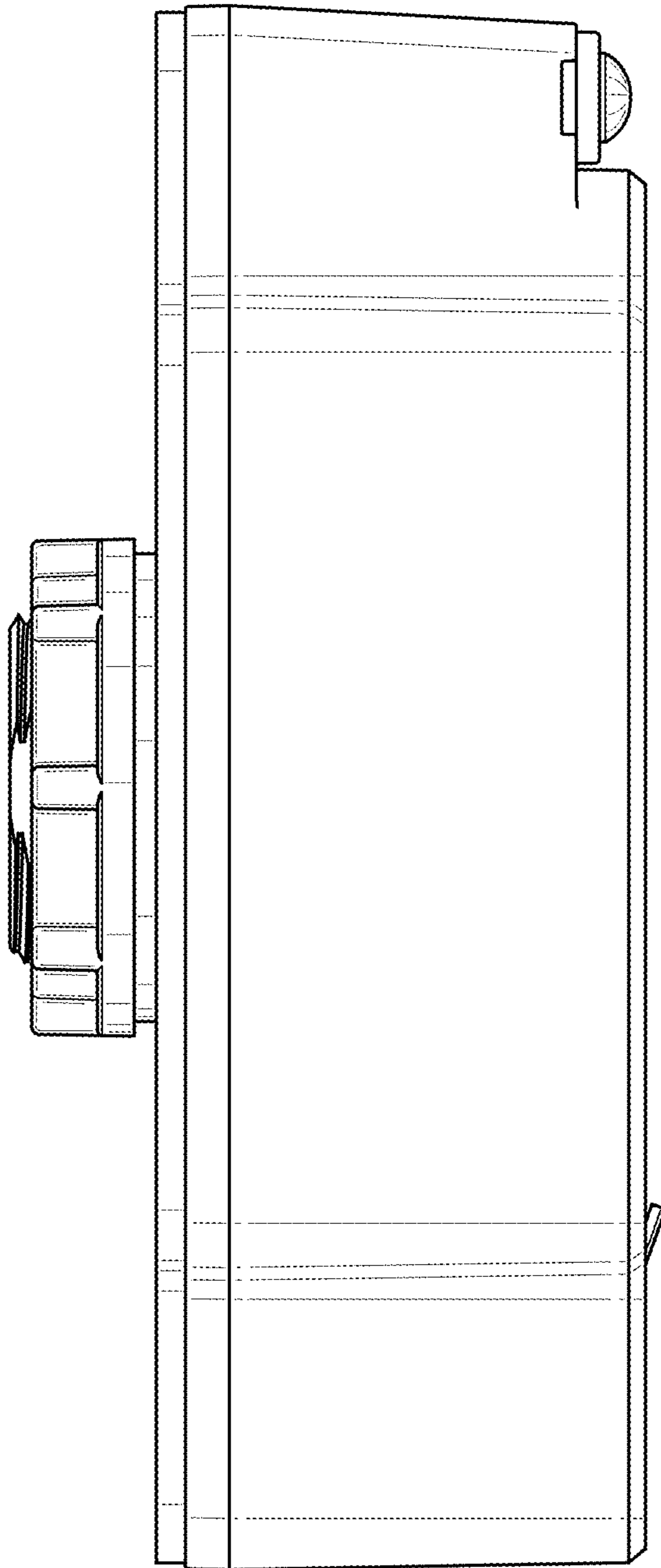


Fig. 20

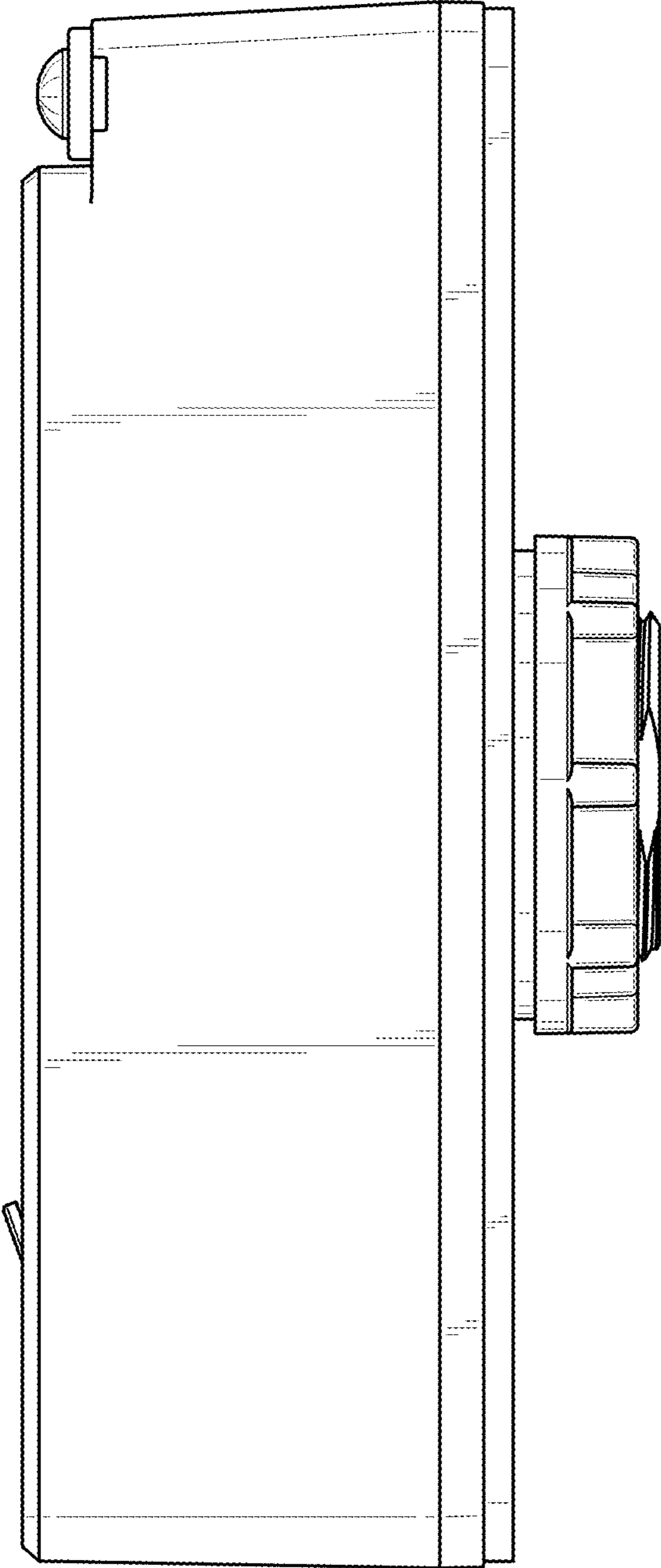


Fig. 21