



US00D841505S

(12) **United States Design Patent** (10) **Patent No.:** **US D841,505 S**
Machijima et al. (45) **Date of Patent:** **** Feb. 26, 2019**

(54) **SENSOR MOUNT ASSEMBLY**
(71) Applicant: **SMC CORPORATION**, Tokyo (JP)
(72) Inventors: **Mitsuru Machijima**, Matsudo (JP);
Shiori Iwatsuki, Saitama (JP); **Kenta Onuki**, Tsukuba (JP)

Primary Examiner — Antoine D Davis
(74) *Attorney, Agent, or Firm* — Birch, Stewart, Kolasch & Birch, LLP

(57) **CLAIM**

The ornamental design for a sensor mount assembly, as shown.

(73) Assignee: **SMC CORPORATION**, Tokyo (JP)
(**) Term: **15 Years**
(21) Appl. No.: **29/604,366**
(22) Filed: **May 17, 2017**

DESCRIPTION

(30) **Foreign Application Priority Data**
Nov. 18, 2016 (CN) 2016 3 0560617
(51) **LOC (11) Cl.** **10-04**
(52) **U.S. Cl.**
USPC **D10/103; D8/354; D8/396**
(58) **Field of Classification Search**
USPC D8/73, 394, 396; D10/74, 103; D15/141
(Continued)

FIG. 1 is a front, top and right side perspective view of a sensor mount assembly showing a first embodiment of our new design;
FIG. 2 is a rear, top and left side perspective view thereof;
FIG. 3 is a front view thereof;
FIG. 4 is a rear view thereof;
FIG. 5 is a top plan view thereof;
FIG. 6 is a bottom plan view thereof;
FIG. 7 is a left side view thereof;
FIG. 8 is a right side view thereof;
FIG. 9 is a front, top and right side perspective view of a sensor mount assembly showing a second embodiment of our new design;
FIG. 10 is a rear, top and left side perspective view thereof;
FIG. 11 is a front view thereof;
FIG. 12 is a rear view thereof;
FIG. 13 is a top plan view thereof;
FIG. 14 is a bottom plan view thereof;
FIG. 15 is a left side view thereof;
FIG. 16 is a right side view thereof;
FIG. 17 is a front, top and right side perspective view of a sensor mount assembly showing a third embodiment of our new design;
FIG. 18 is a rear, top and left side perspective view thereof;
FIG. 19 is a front view thereof;
FIG. 20 is a rear view thereof;
FIG. 21 is a top plan view thereof;
FIG. 22 is a bottom plan view thereof;
FIG. 23 is a left side view thereof;
FIG. 24 is a right side view thereof;
FIG. 25 is a front, top and right side perspective view of a sensor mount assembly showing a fourth embodiment of our new design;

(56) **References Cited**
U.S. PATENT DOCUMENTS
D427,052 S 6/2000 Nagato
D453,677 S 2/2002 Machijima
(Continued)
FOREIGN PATENT DOCUMENTS
JP D1559345 S 9/2016
JP D1559671 S 9/2016

OTHER PUBLICATIONS
Japanese Rejection of the Application for Japanese Application No. 2016-025166, dated Aug. 1, 2017, with an English translation.
(Continued)

(Continued)

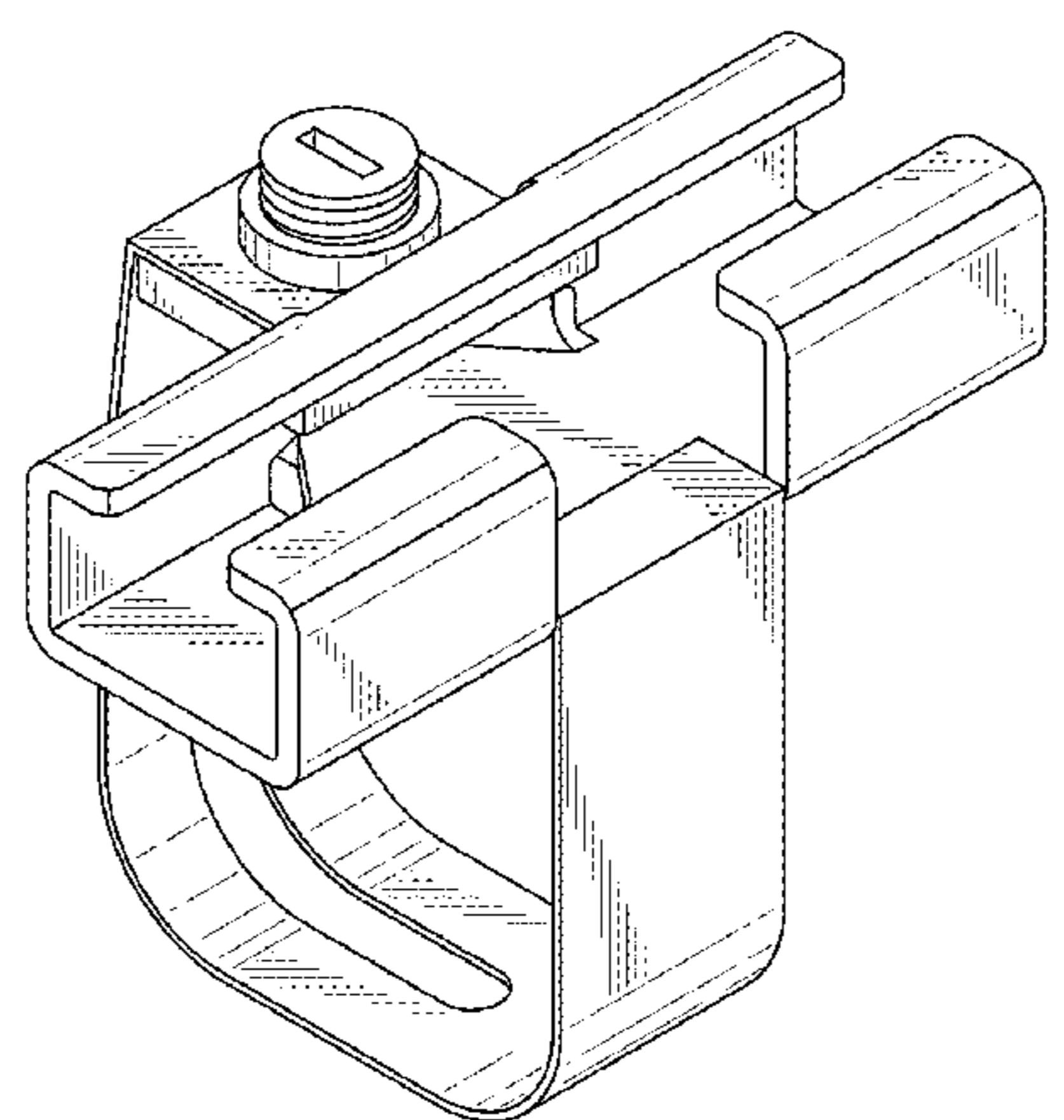


FIG. 26 is a rear, top and left side perspective view thereof;
FIG. 27 is a front view thereof;
FIG. 28 is a rear view thereof;
FIG. 29 is a top plan view thereof;
FIG. 30 is a bottom plan view thereof;
FIG. 31 is a left side view thereof;
FIG. 32 is a right side view thereof;
FIG. 33 is a front, top and right side perspective view of a sensor mount assembly showing a fifth embodiment of our new design;
FIG. 34 is a rear, top and left side perspective view thereof;
FIG. 35 is a front view thereof;
FIG. 36 is a rear view thereof;
FIG. 37 is a top plan view thereof;
FIG. 38 is a bottom plan view thereof;
FIG. 39 is a left side view thereof;
FIG. 40 is a right side view thereof;
FIG. 41 is a front, top and right side perspective view of a sensor mount assembly showing a sixth embodiment of our new design;
FIG. 42 is a rear, top and left side perspective view thereof;
FIG. 43 is a front view thereof;
FIG. 44 is a rear view thereof;
FIG. 45 is a top plan view thereof;
FIG. 46 is a bottom plan view thereof;

FIG. 47 is a left side view thereof; and,
FIG. 48 is a right side view thereof.

1 Claim, 48 Drawing Sheets

(58) **Field of Classification Search**

CPC F16B 2/00; F16B 2/005; F16B 2/02; F16B 2/04; F16B 2/06; F16B 2/065; F16B 2/08; F16B 2/10; F16B 2/12; F16B 2/14; F16B 2/16; F16B 2/18; F16B 2/185
See application file for complete search history.

(56) **References Cited**

U.S. PATENT DOCUMENTS

D457,805	S	5/2002	Machijima	
D687,698	S	8/2013	Machijima et al.	
9,494,176	B2 *	11/2016	Klingler	F16B 2/185
9,512,714	B2 *	12/2016	Sobolewski	E21B 47/01
D782,928	S	4/2017	Takakuwa et al.	
D782,930	S	4/2017	Takakuwa et al.	
9,624,951	B2 *	4/2017	Wu	F16B 2/22

OTHER PUBLICATIONS

Japanese Rejection of the Application for Japanese Application No. 2016-025167, dated Aug. 1, 2017, with an English translation.
Japanese Rejection of the Application for Japanese Application No. 2016-025168, dated Aug. 1, 2017, with an English translation.

* cited by examiner

FIG. 1

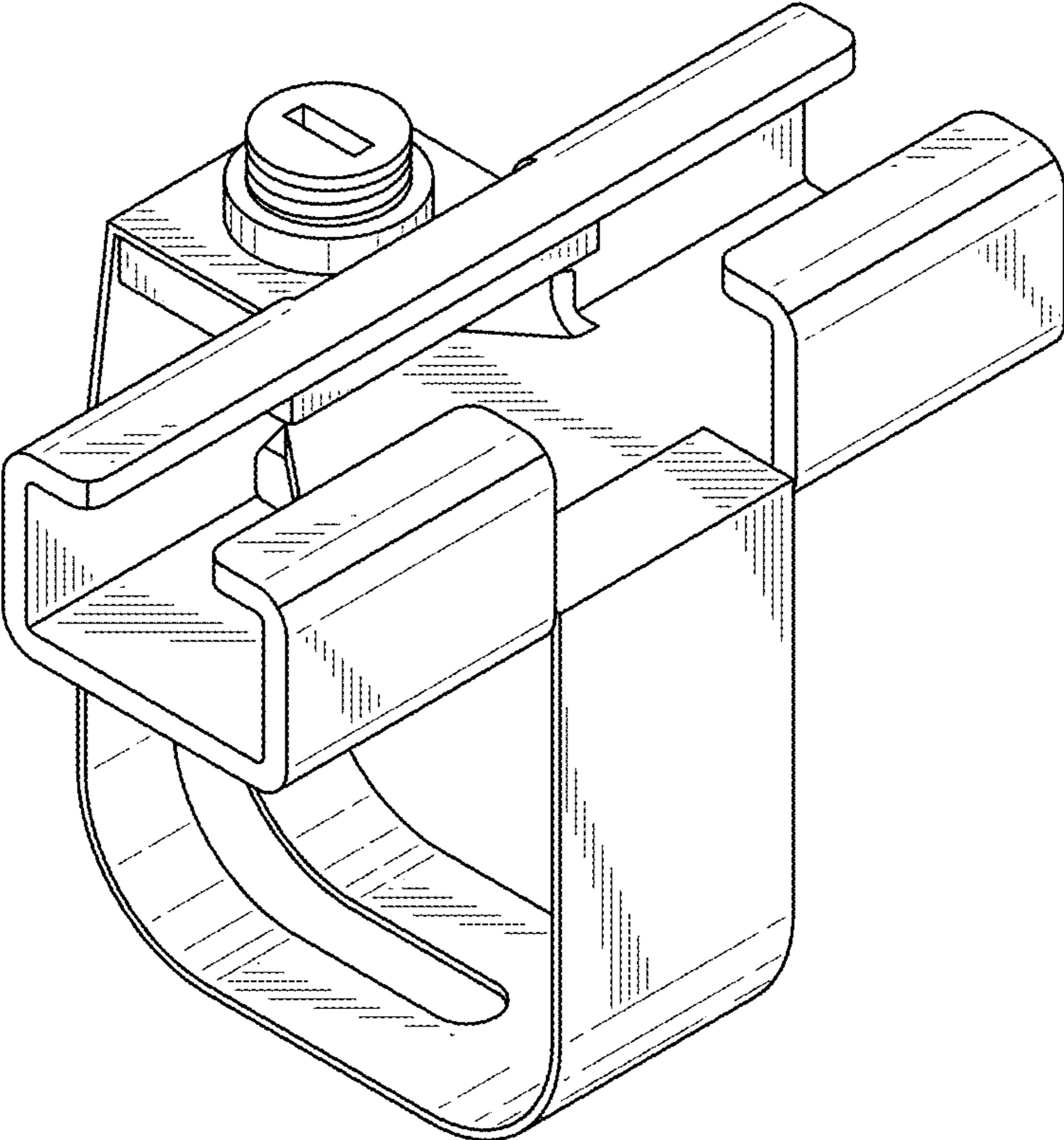


FIG. 2

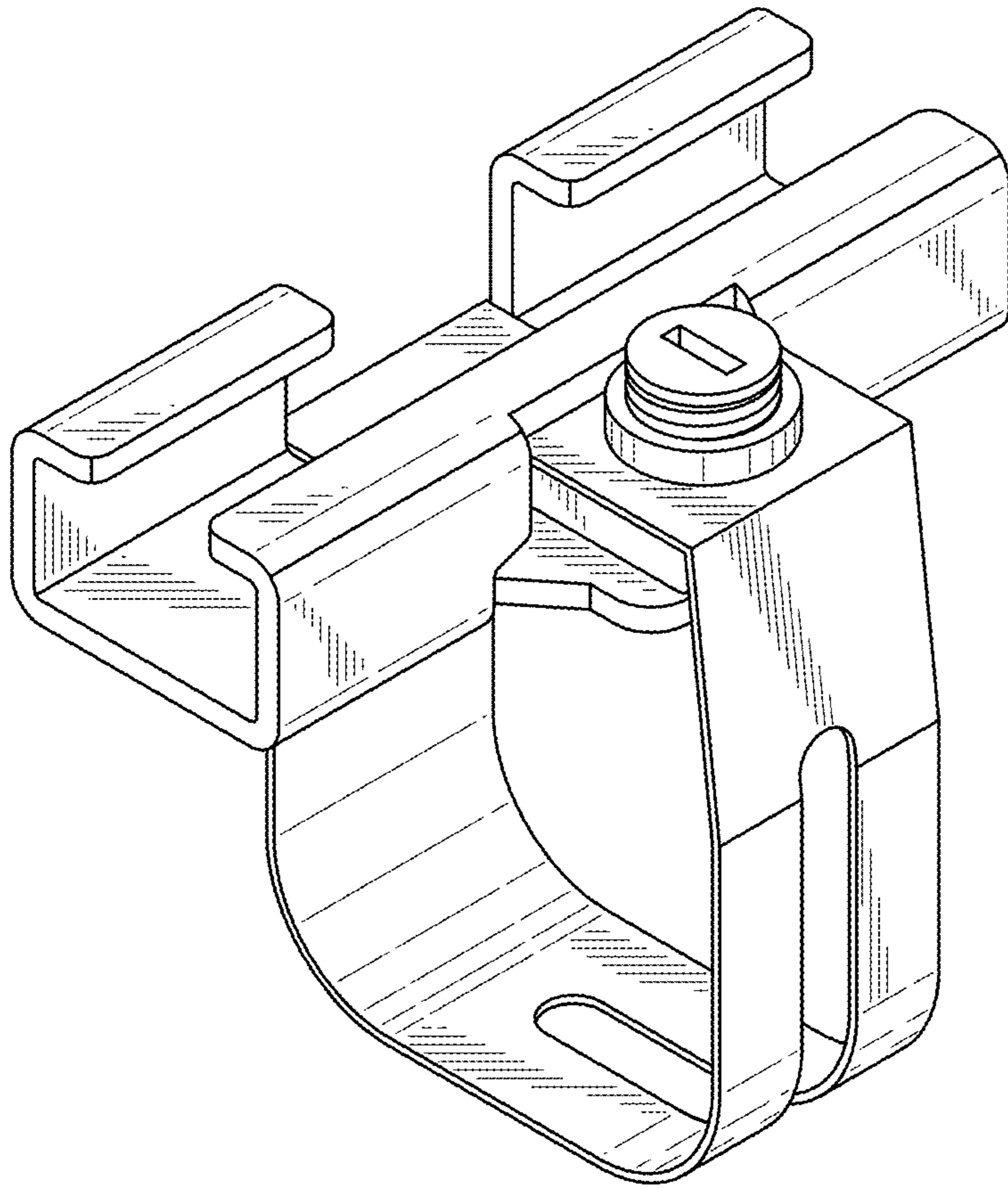


FIG. 3

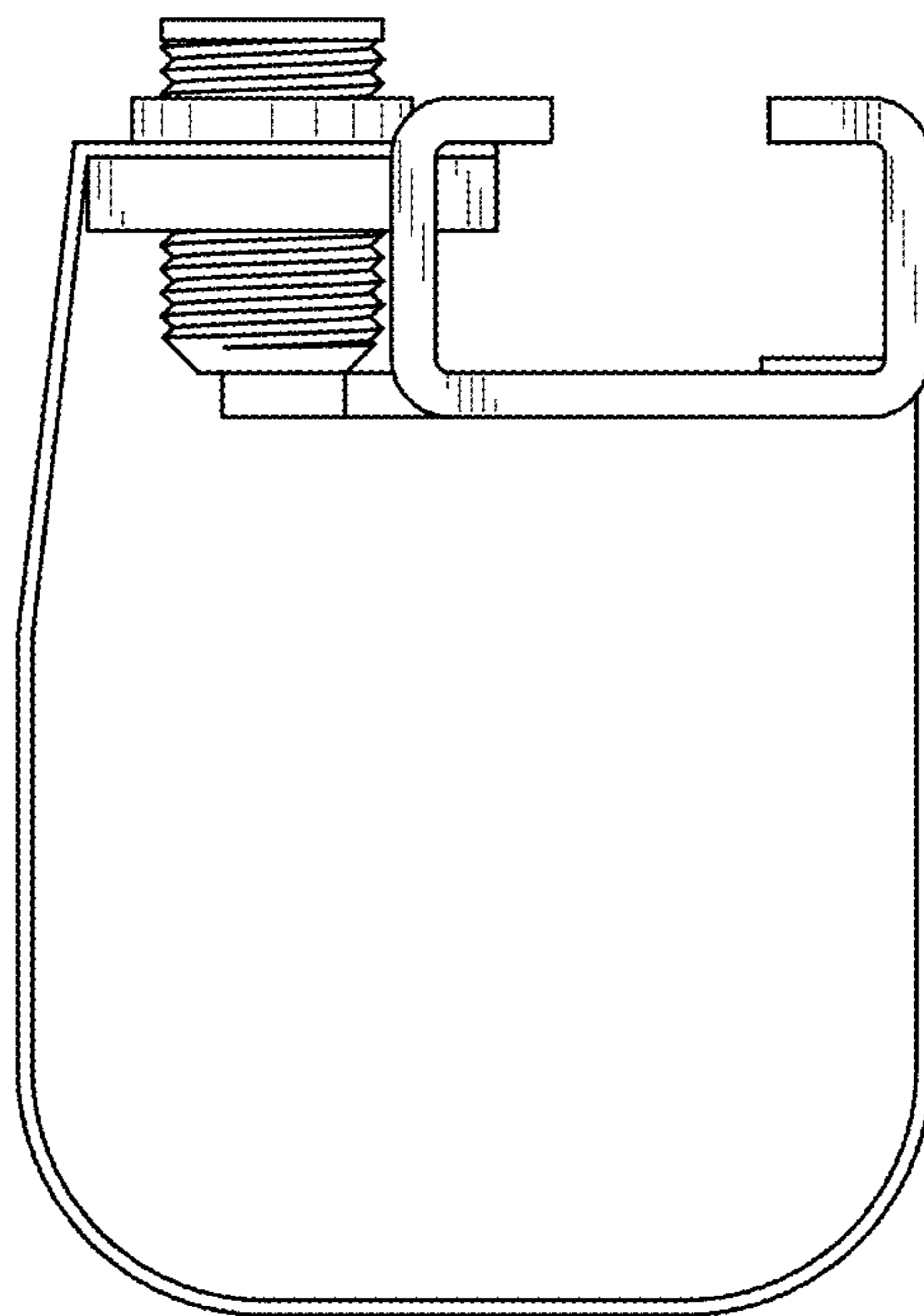


FIG. 4

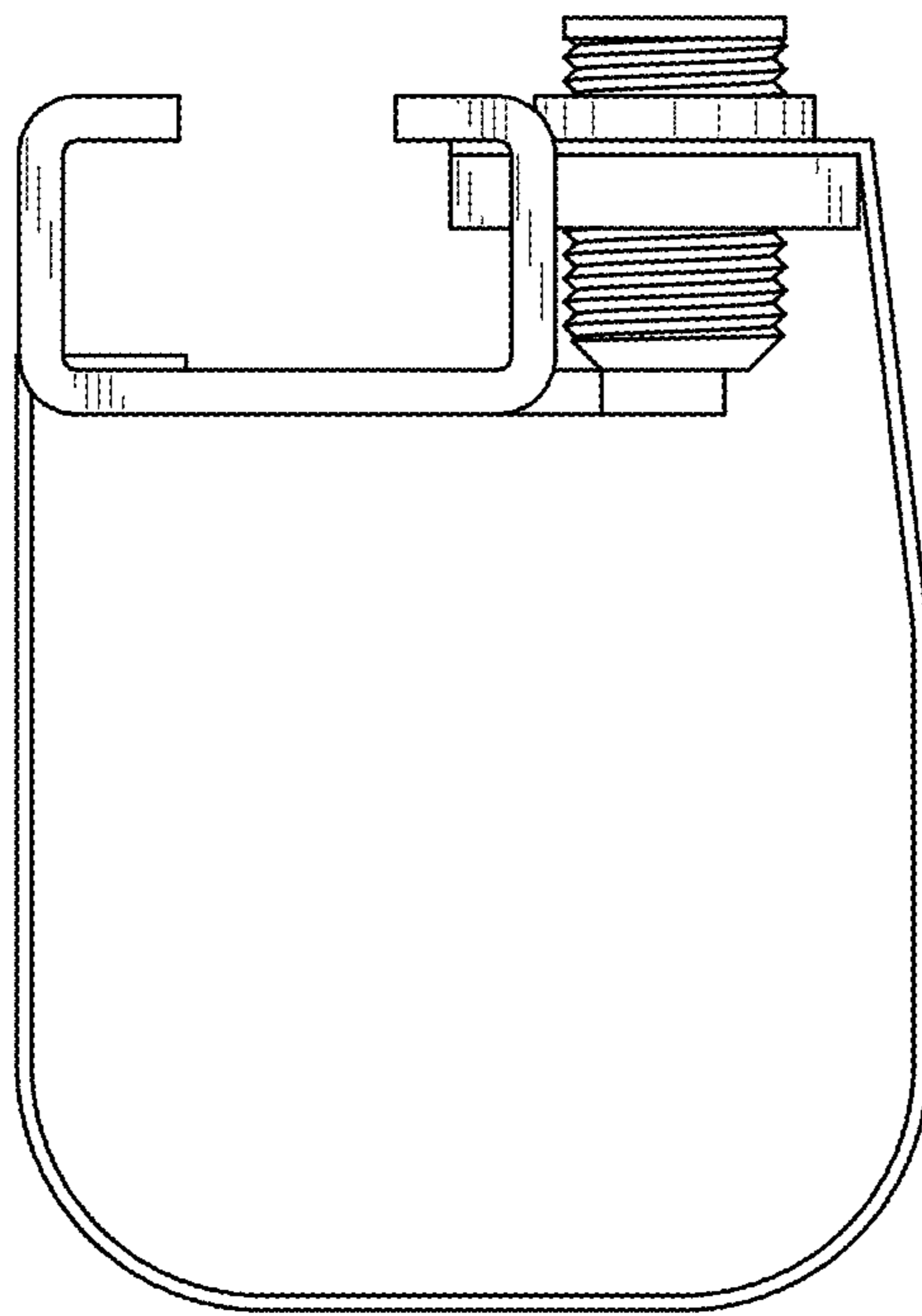


FIG. 5

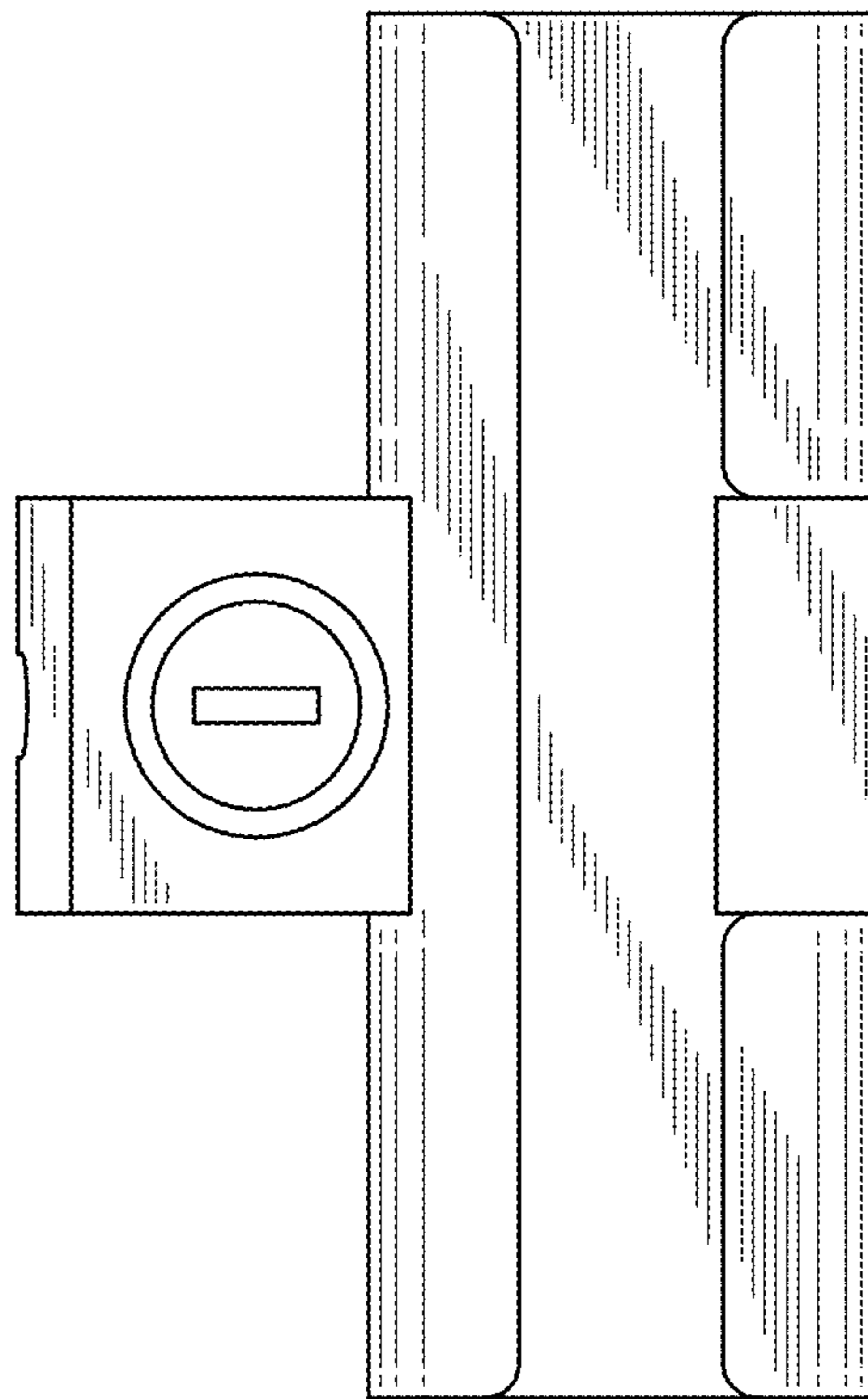


FIG. 6

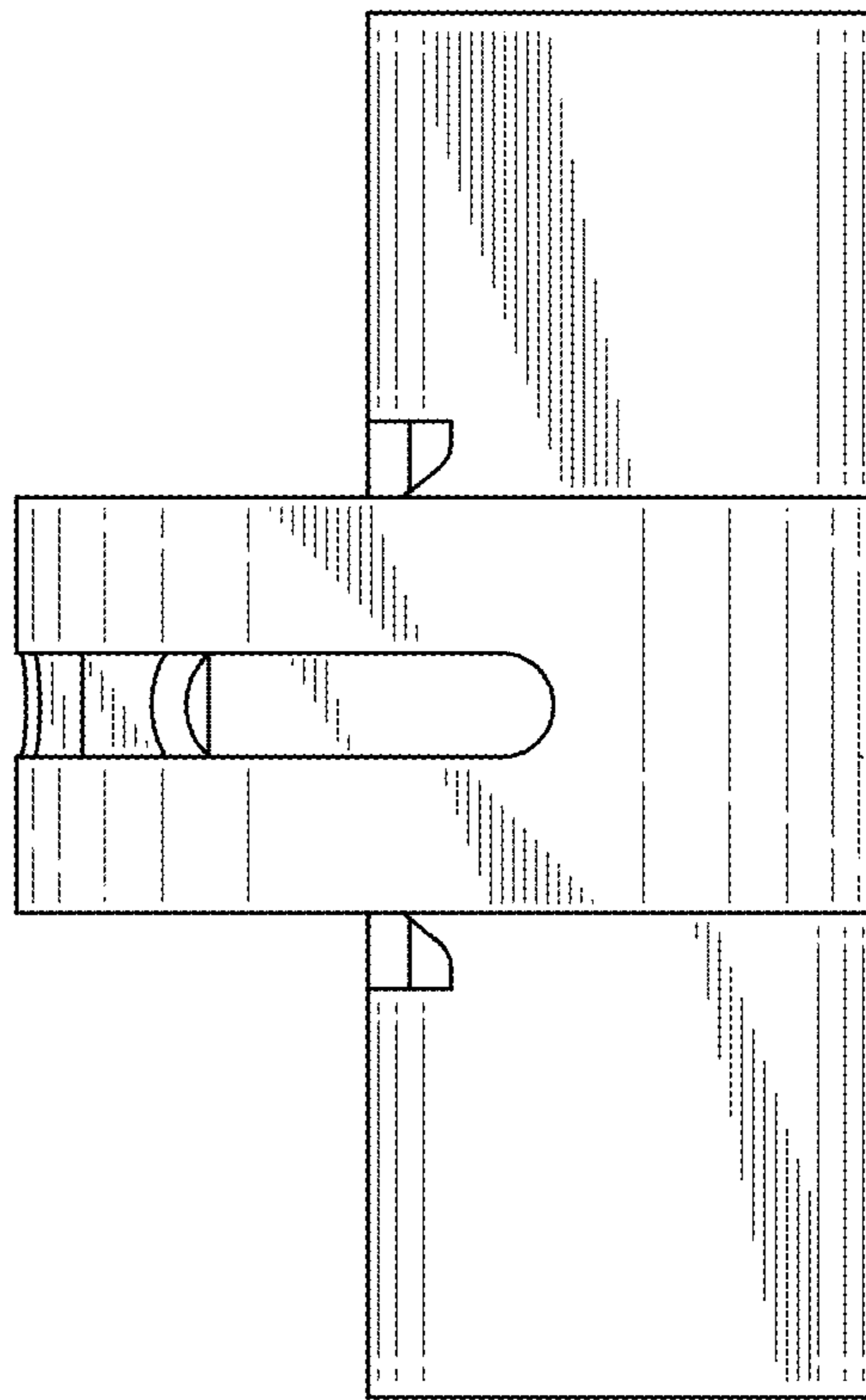


FIG. 7

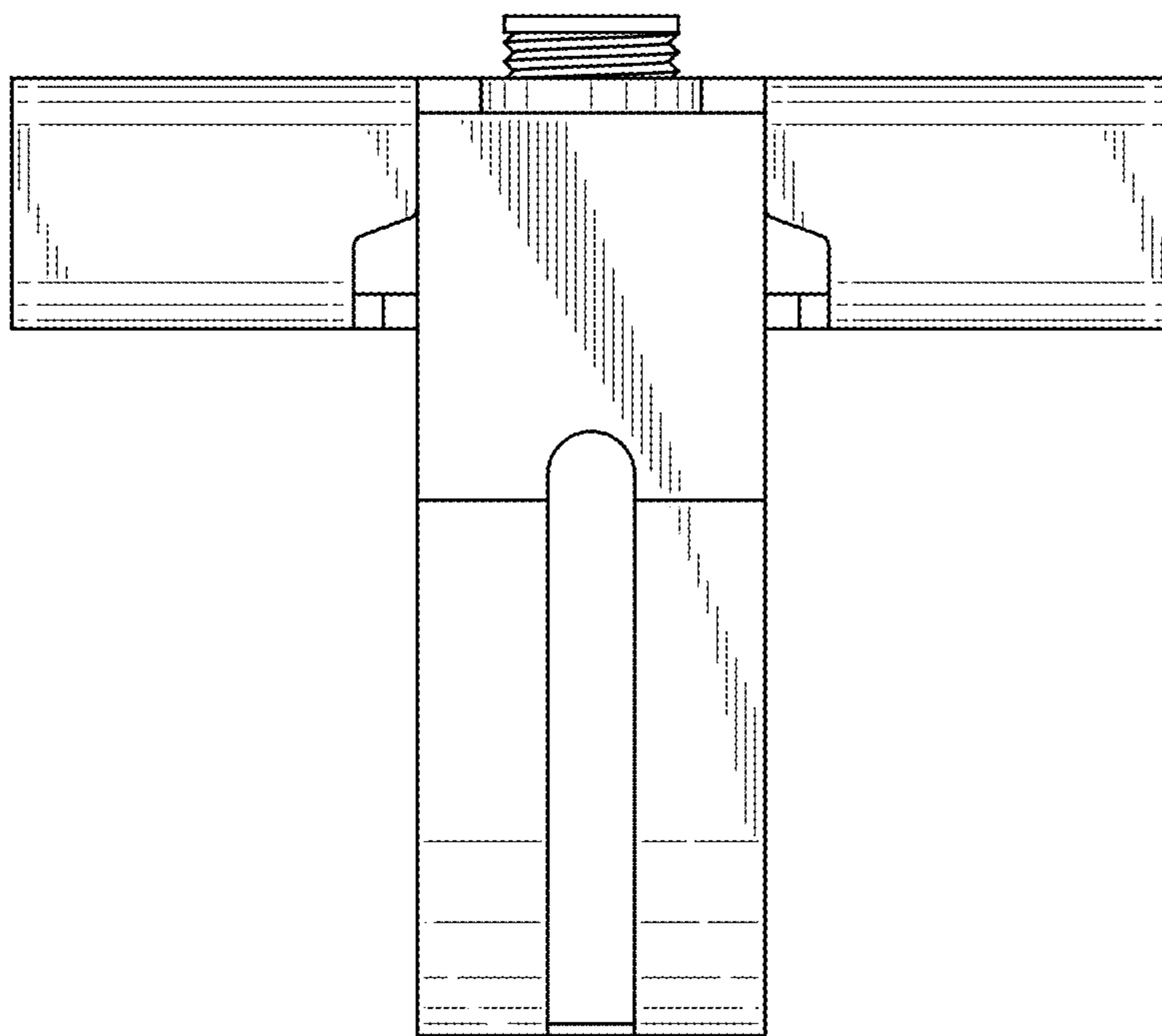


FIG. 8

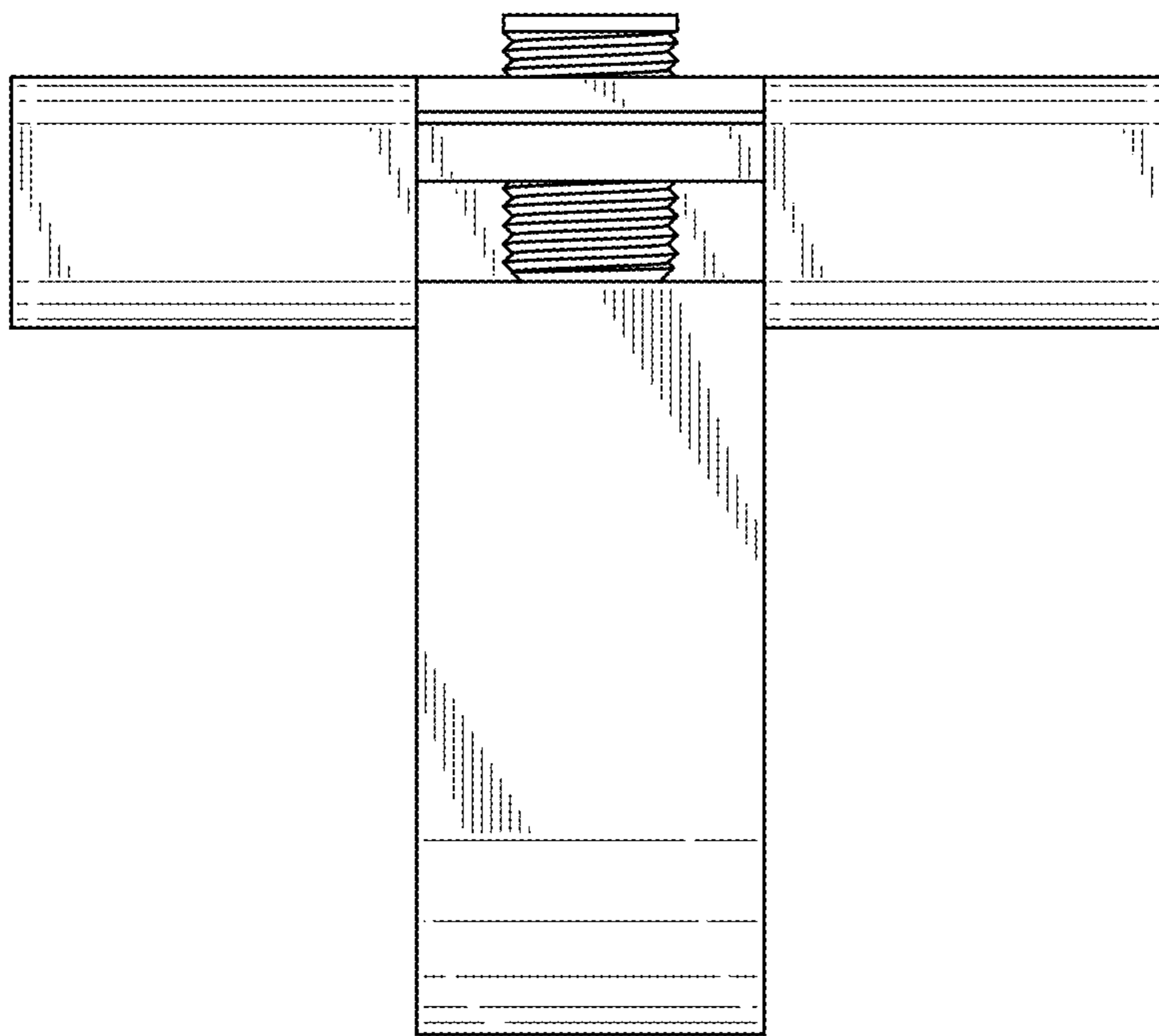


FIG. 9

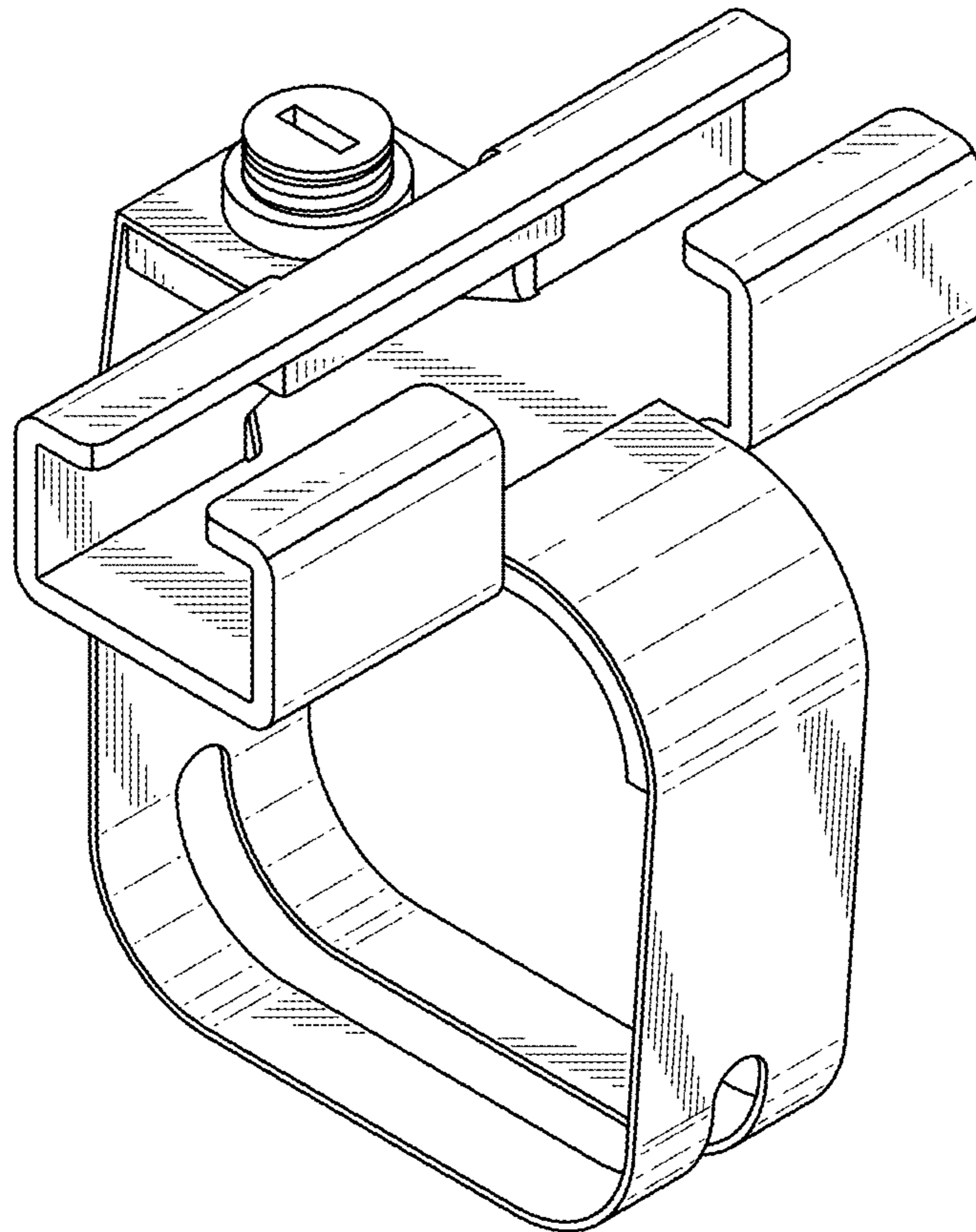


FIG. 10

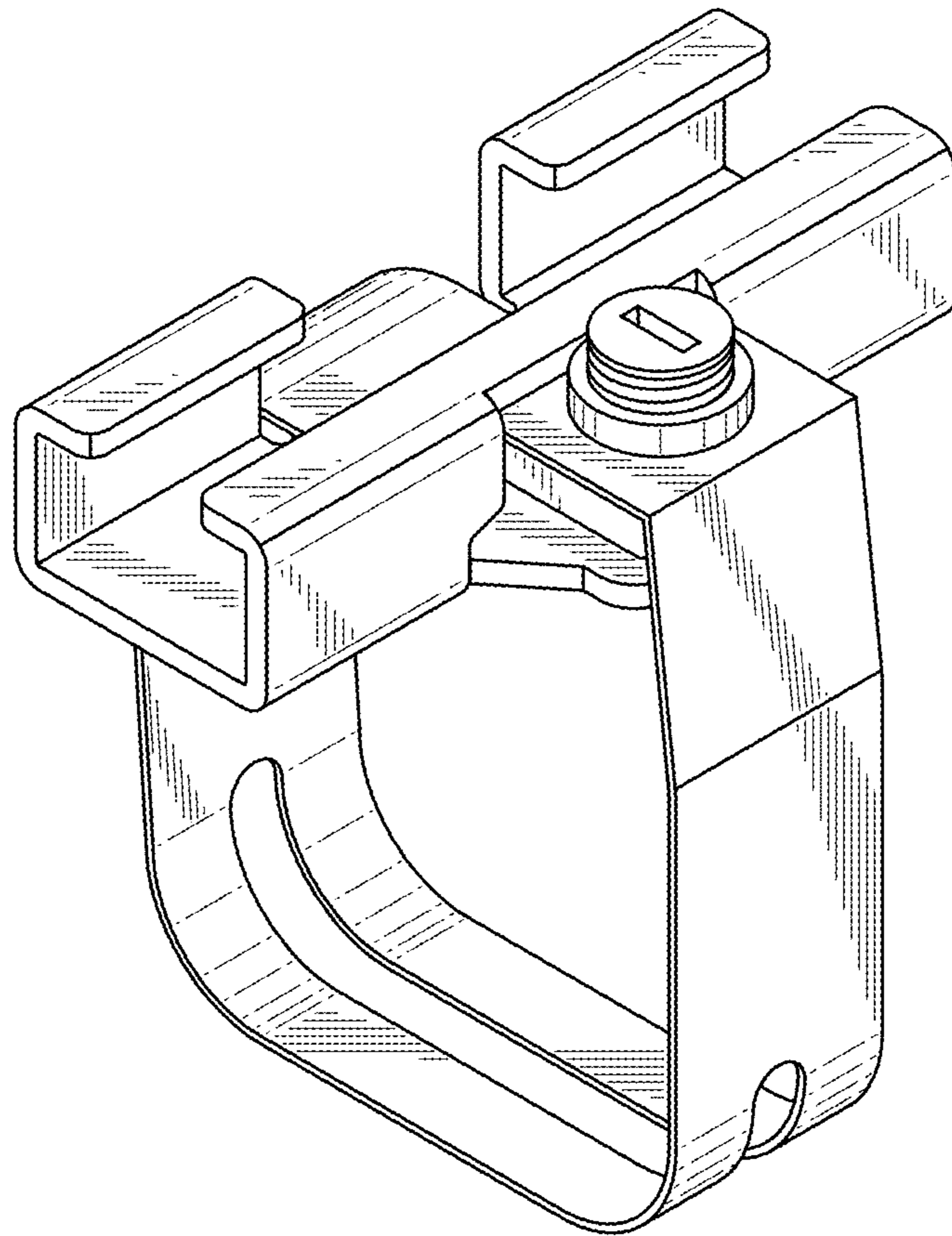


FIG. 11

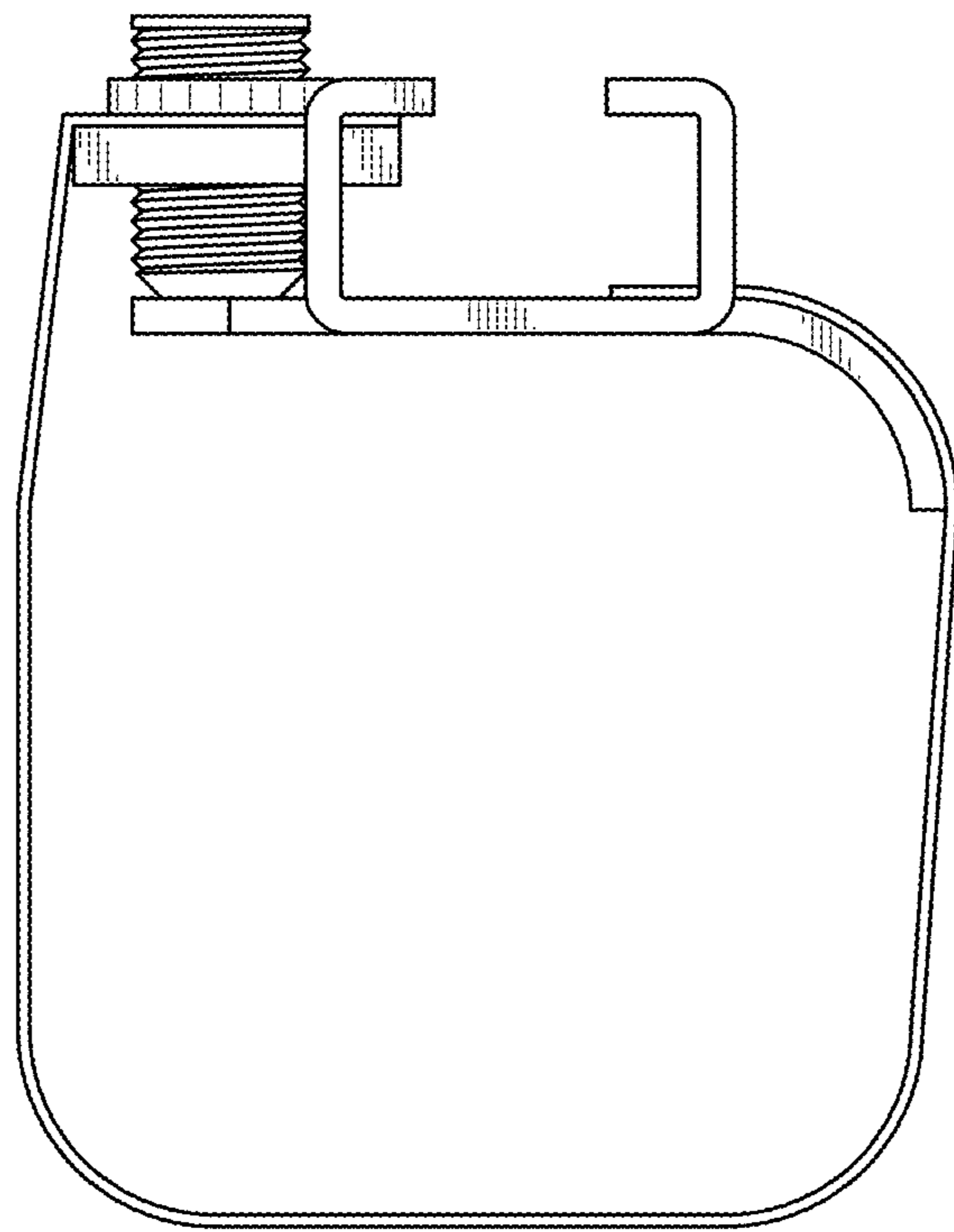


FIG. 12

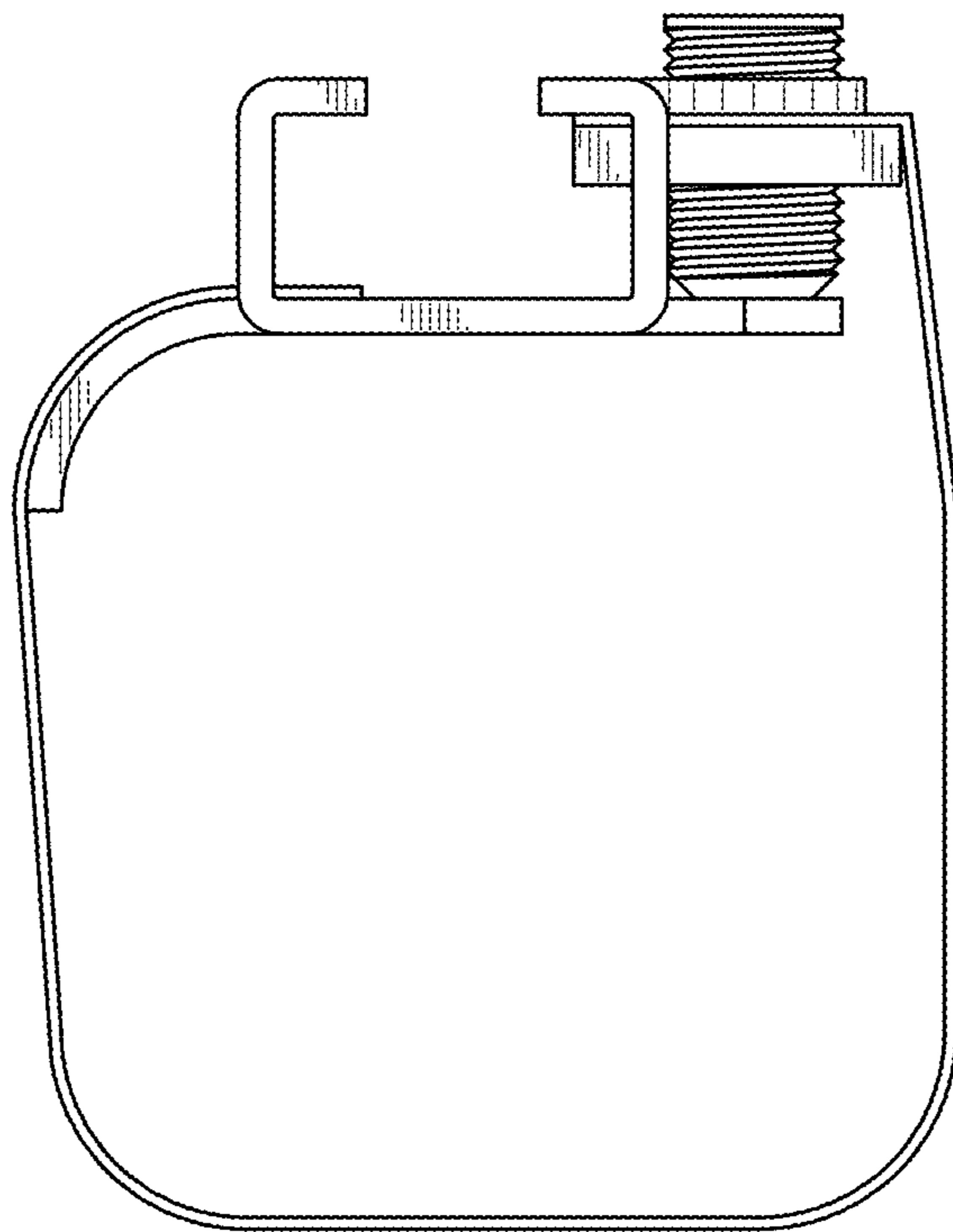


FIG. 13

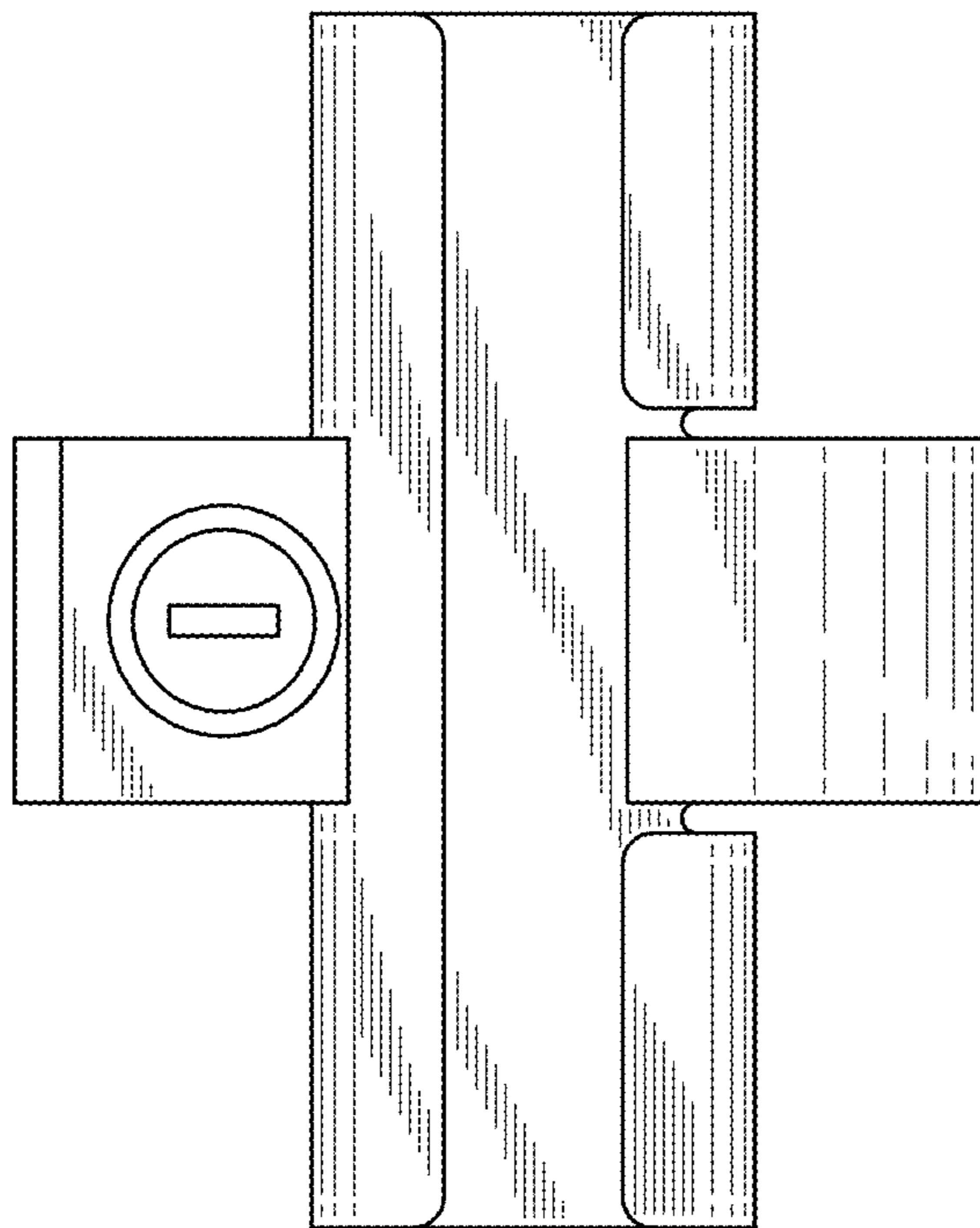


FIG. 14

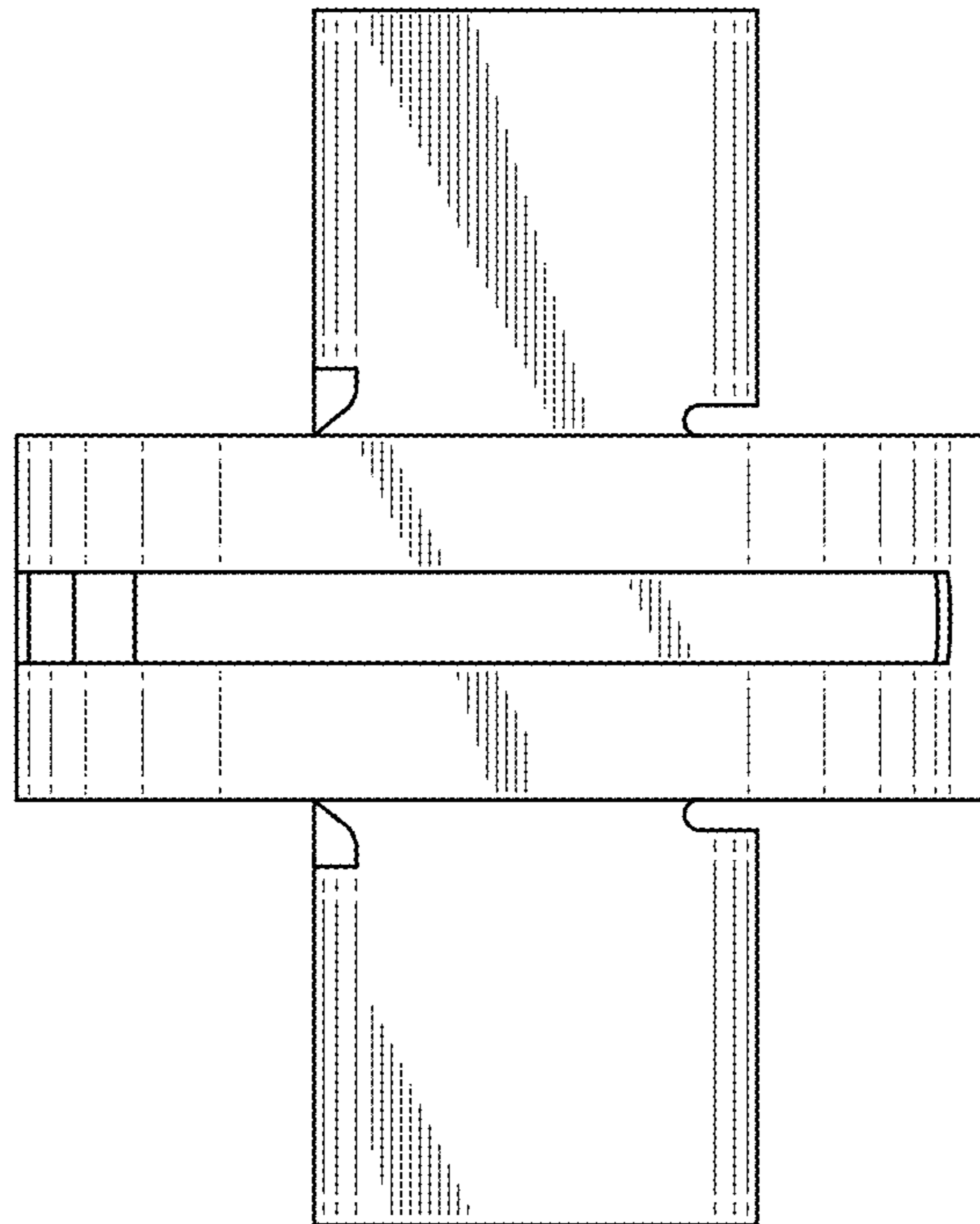


FIG. 15

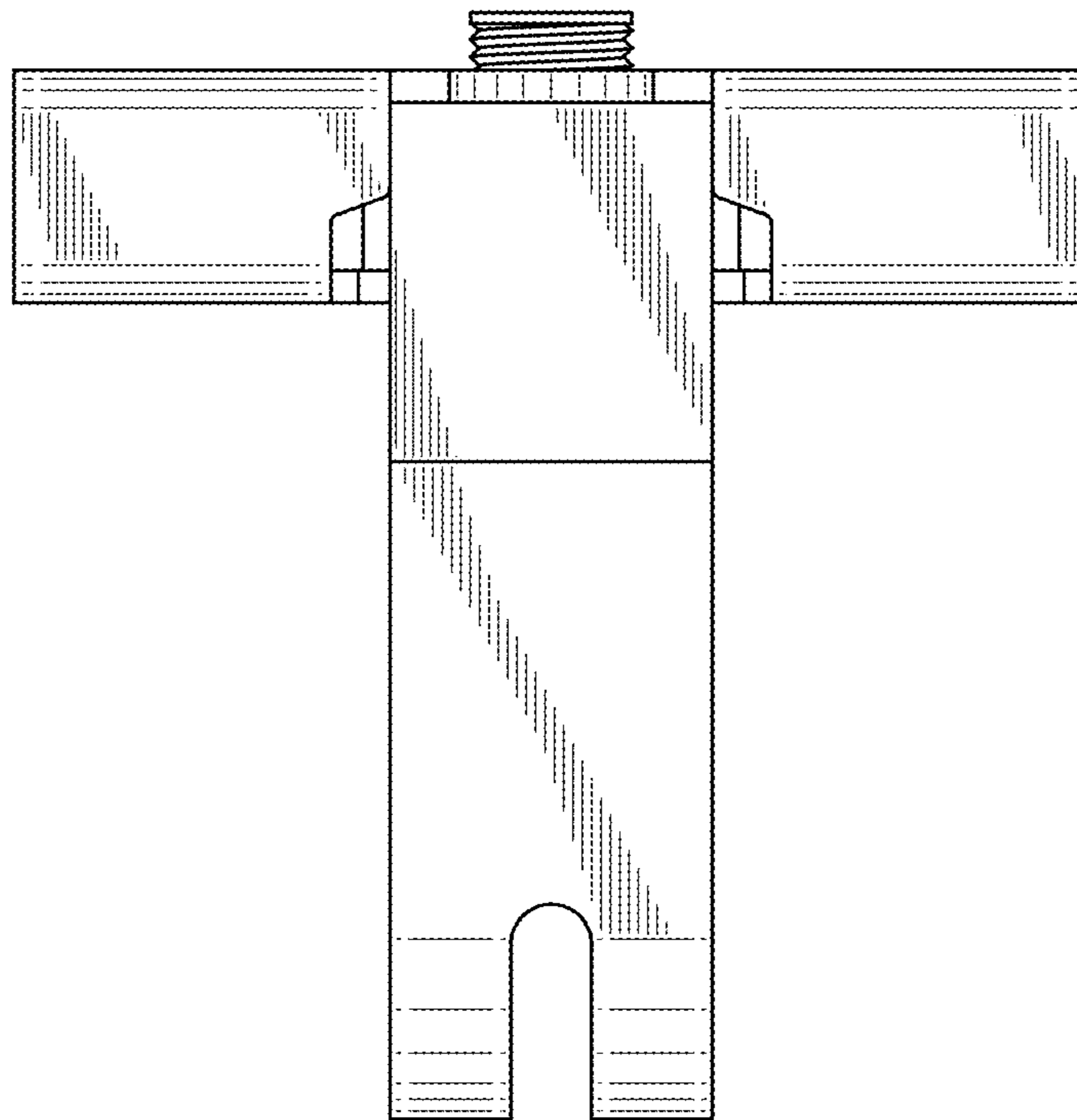


FIG. 16

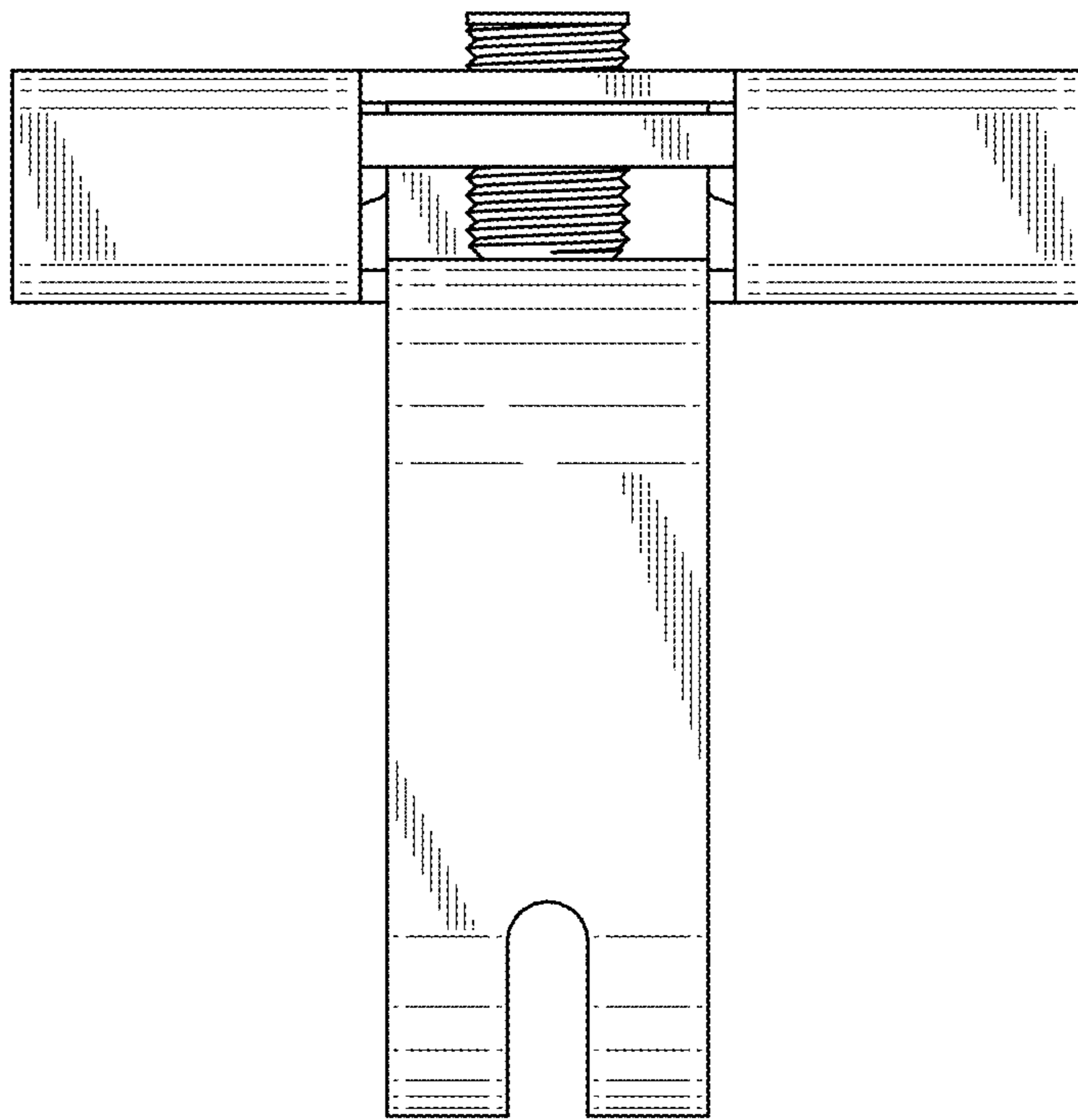


FIG. 17

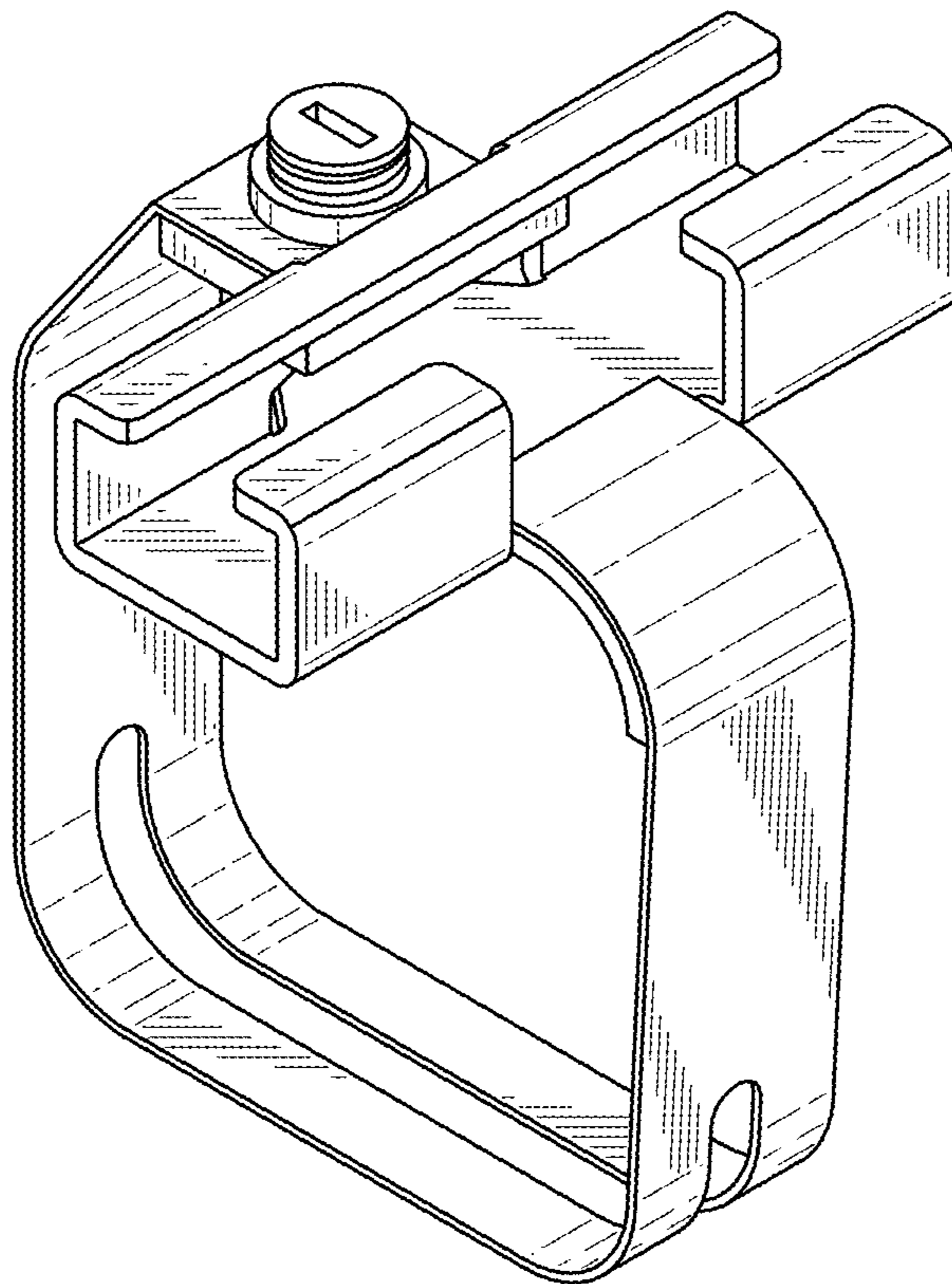


FIG. 18

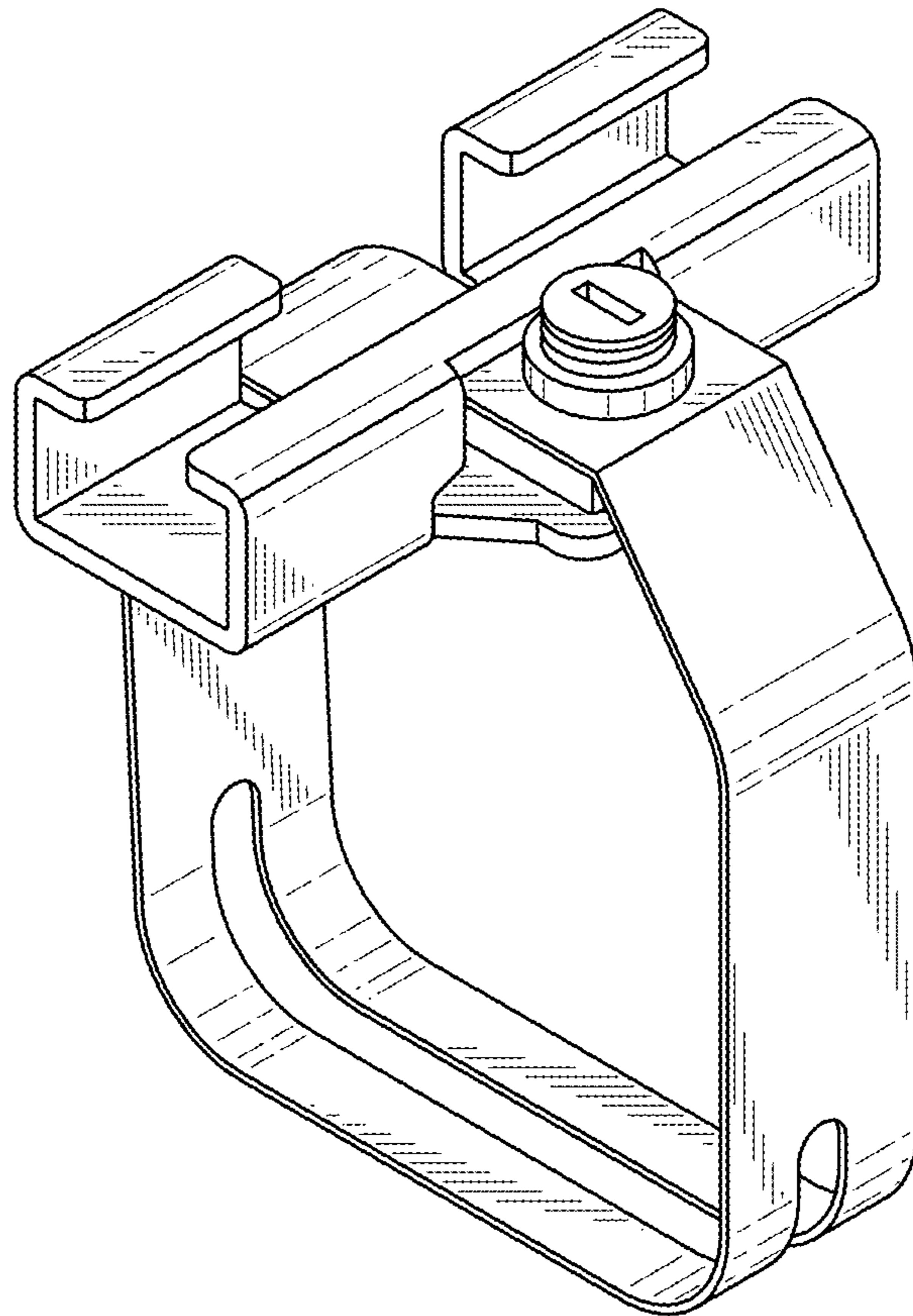


FIG. 19

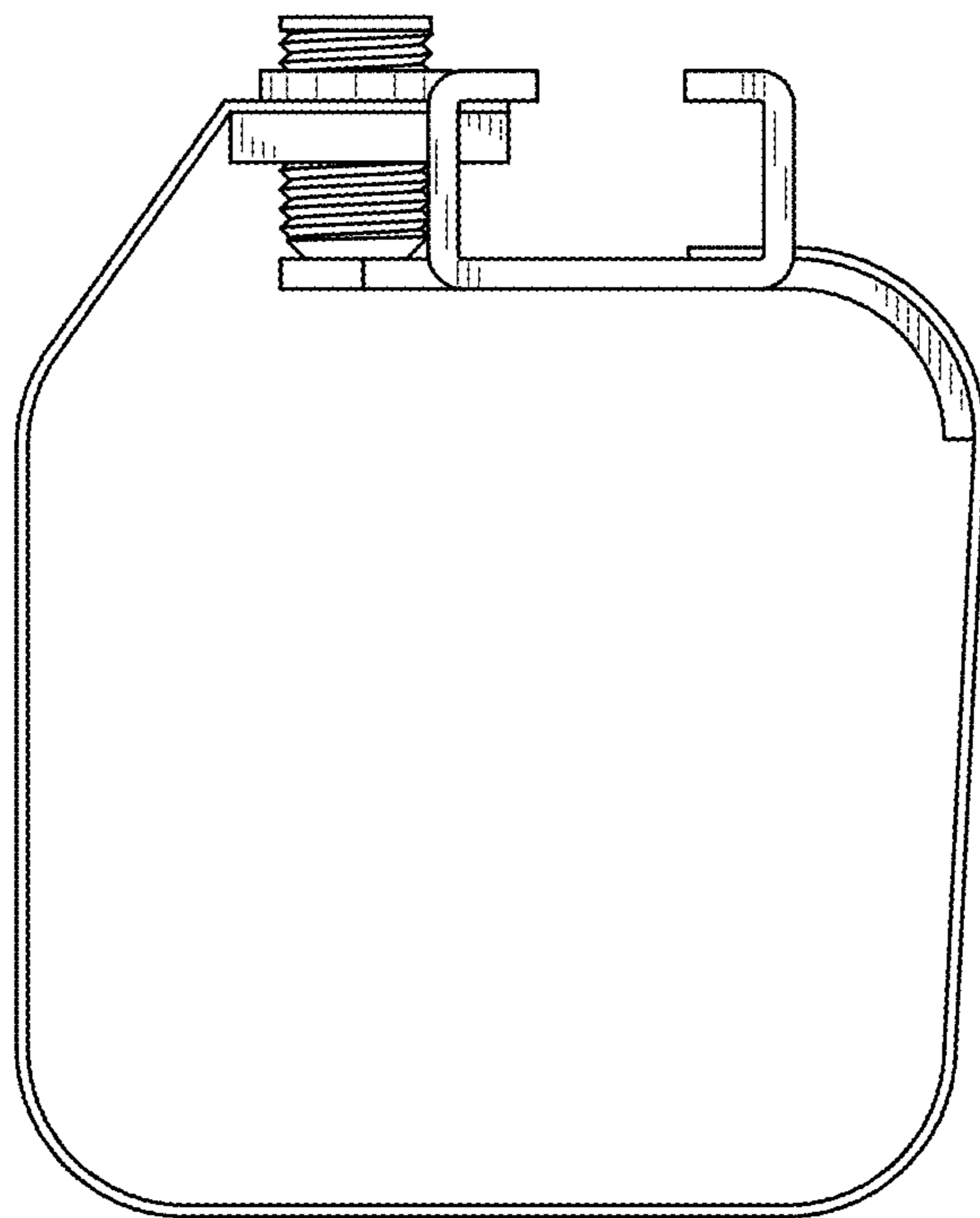


FIG. 20

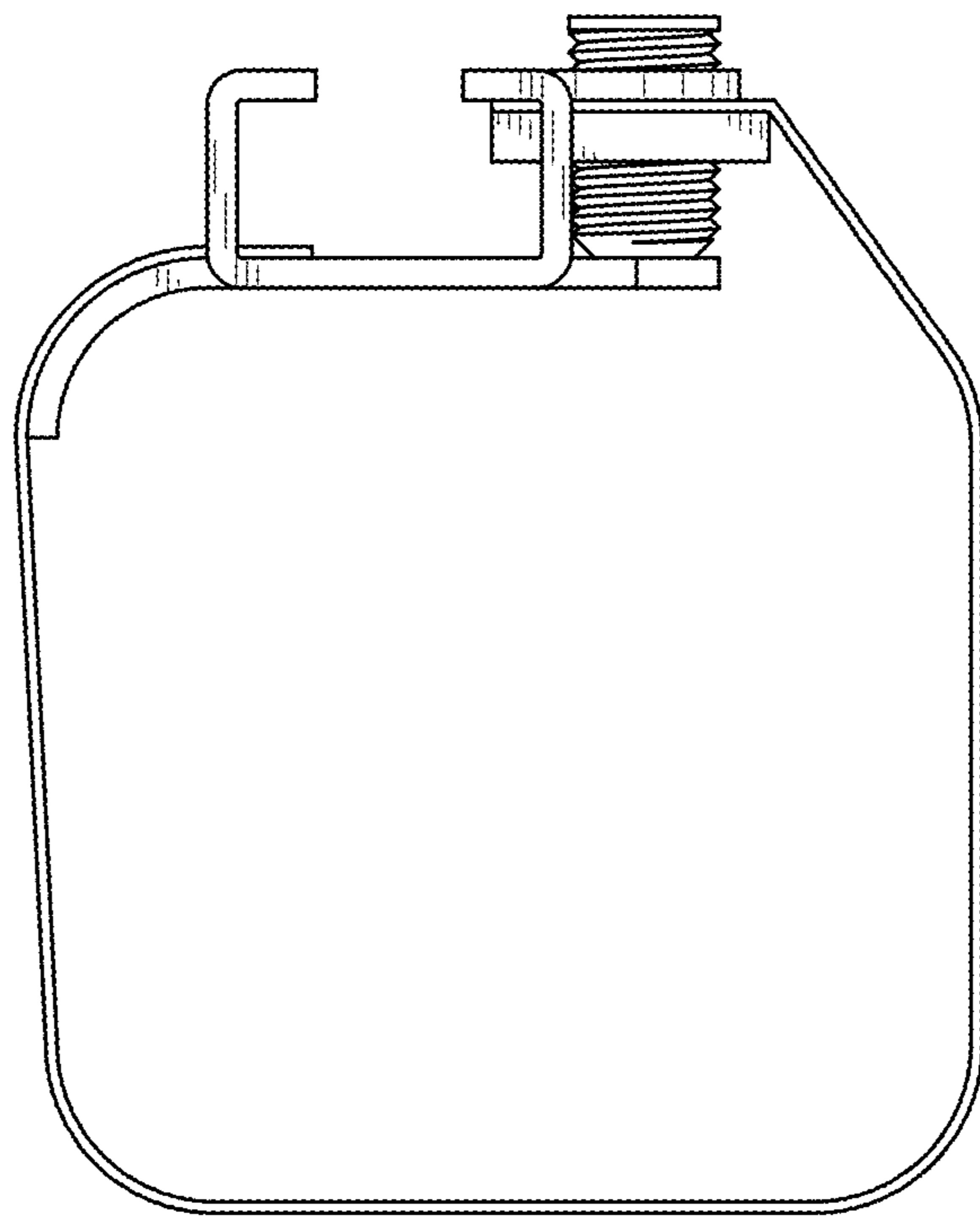


FIG. 21

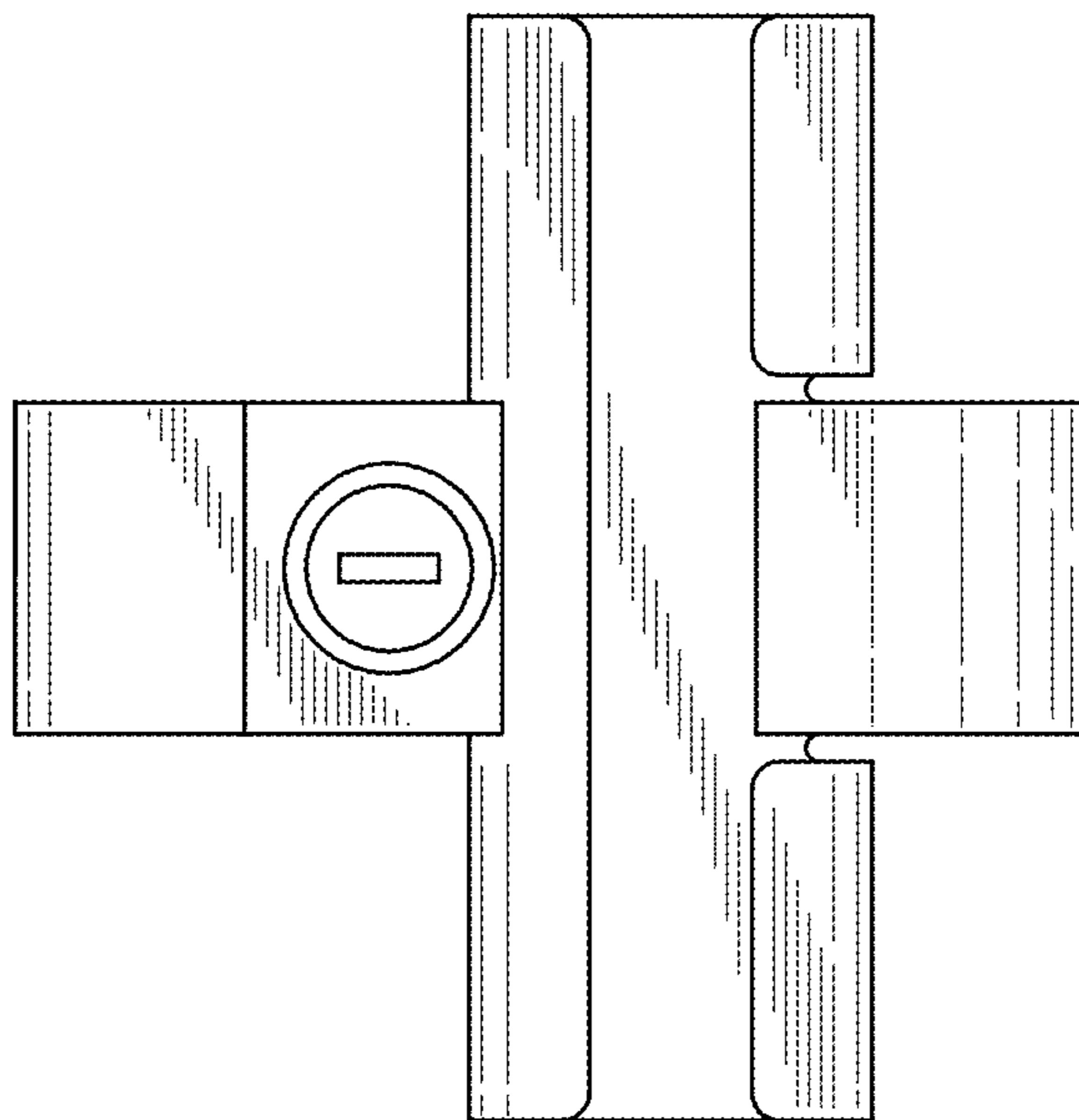


FIG. 22

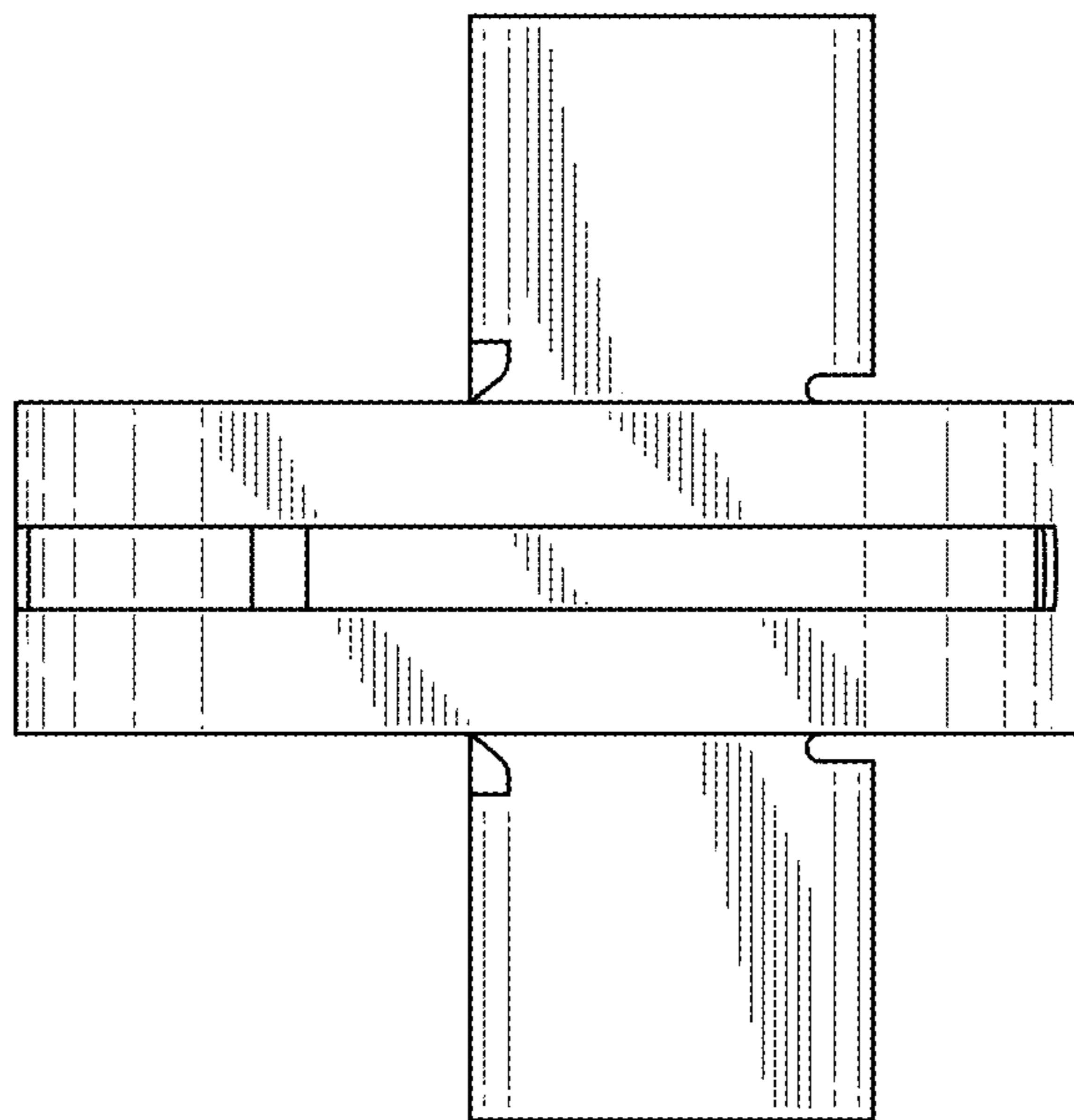


FIG. 23

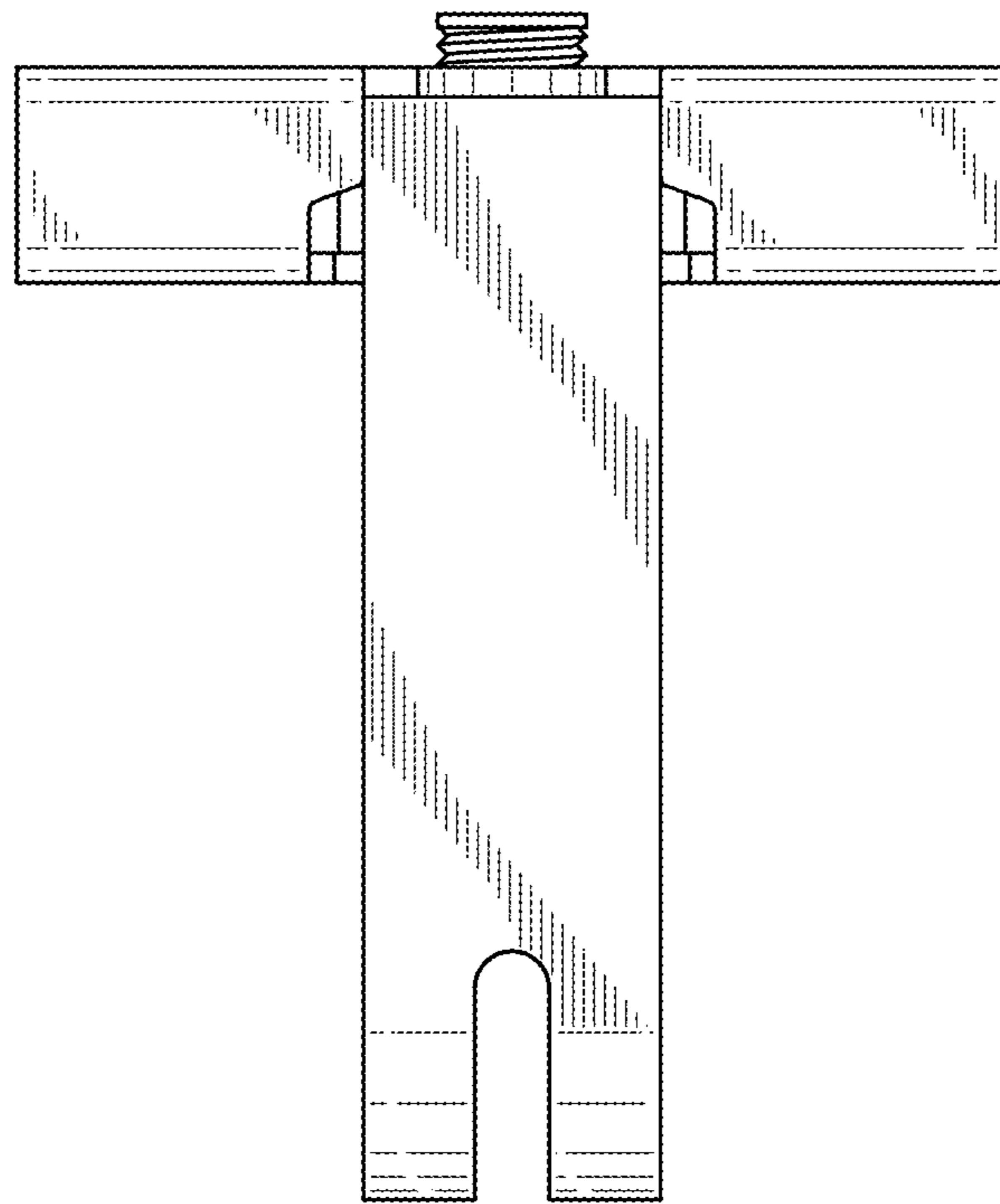


FIG. 24

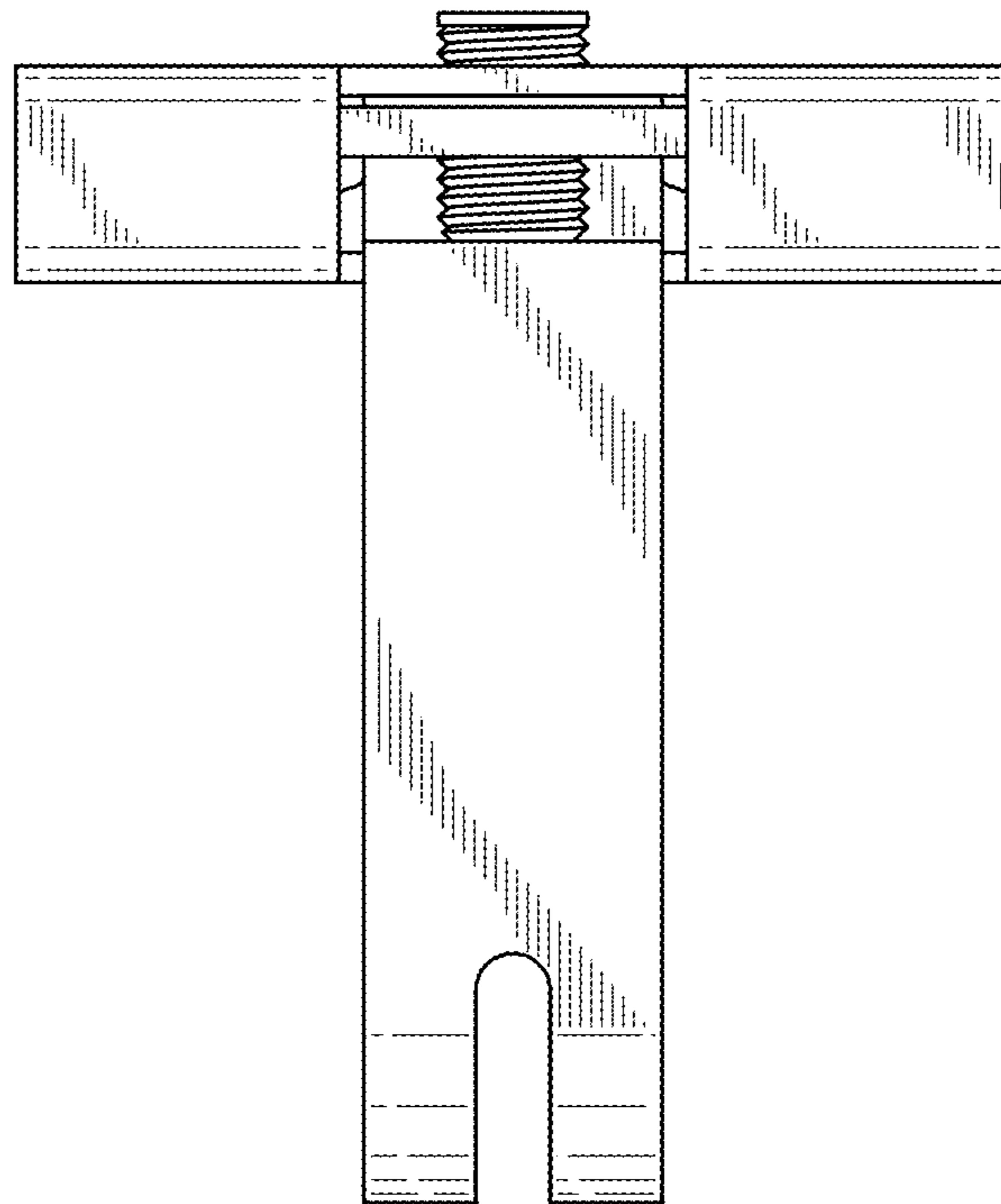


FIG. 25

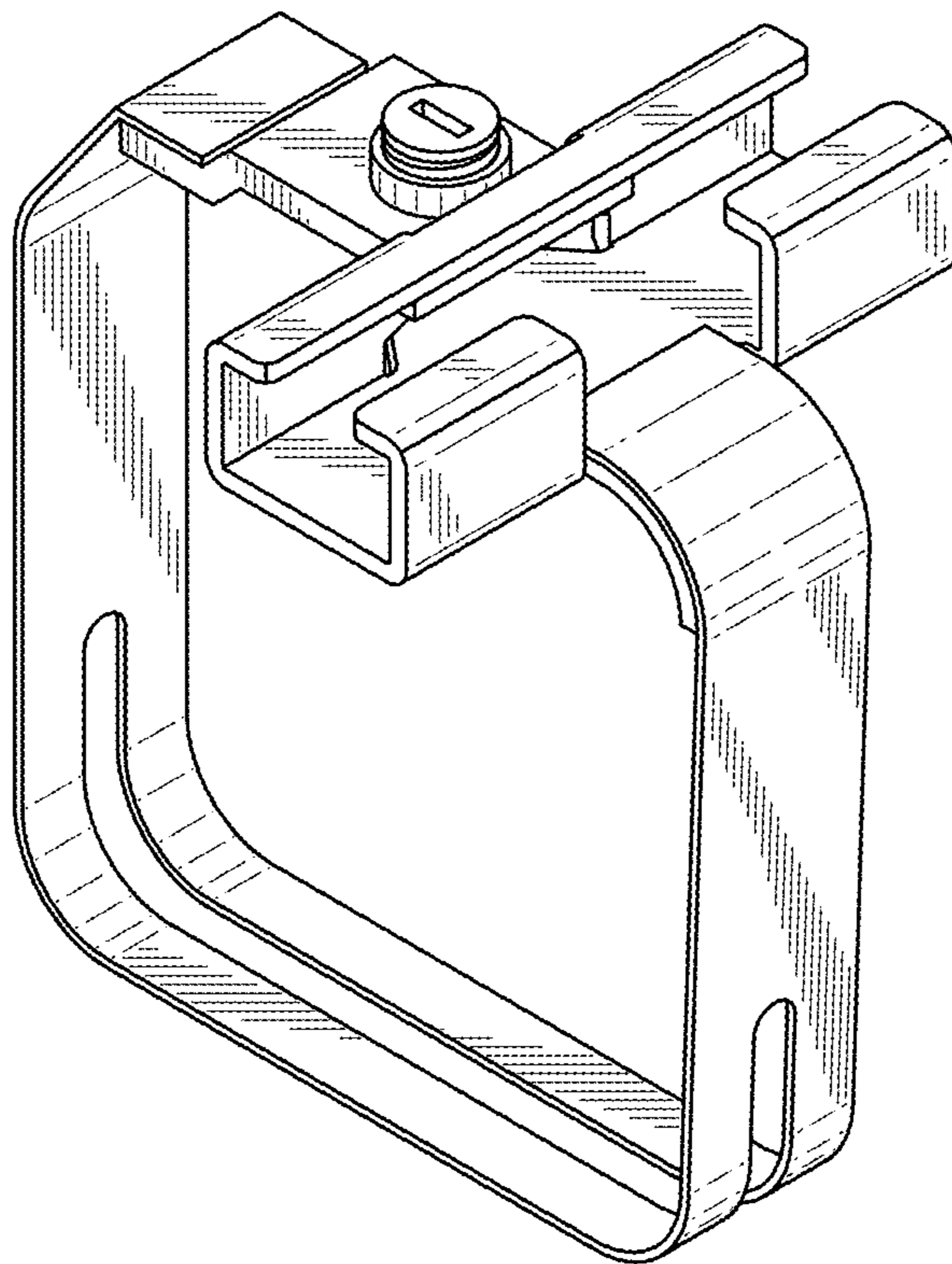


FIG. 26

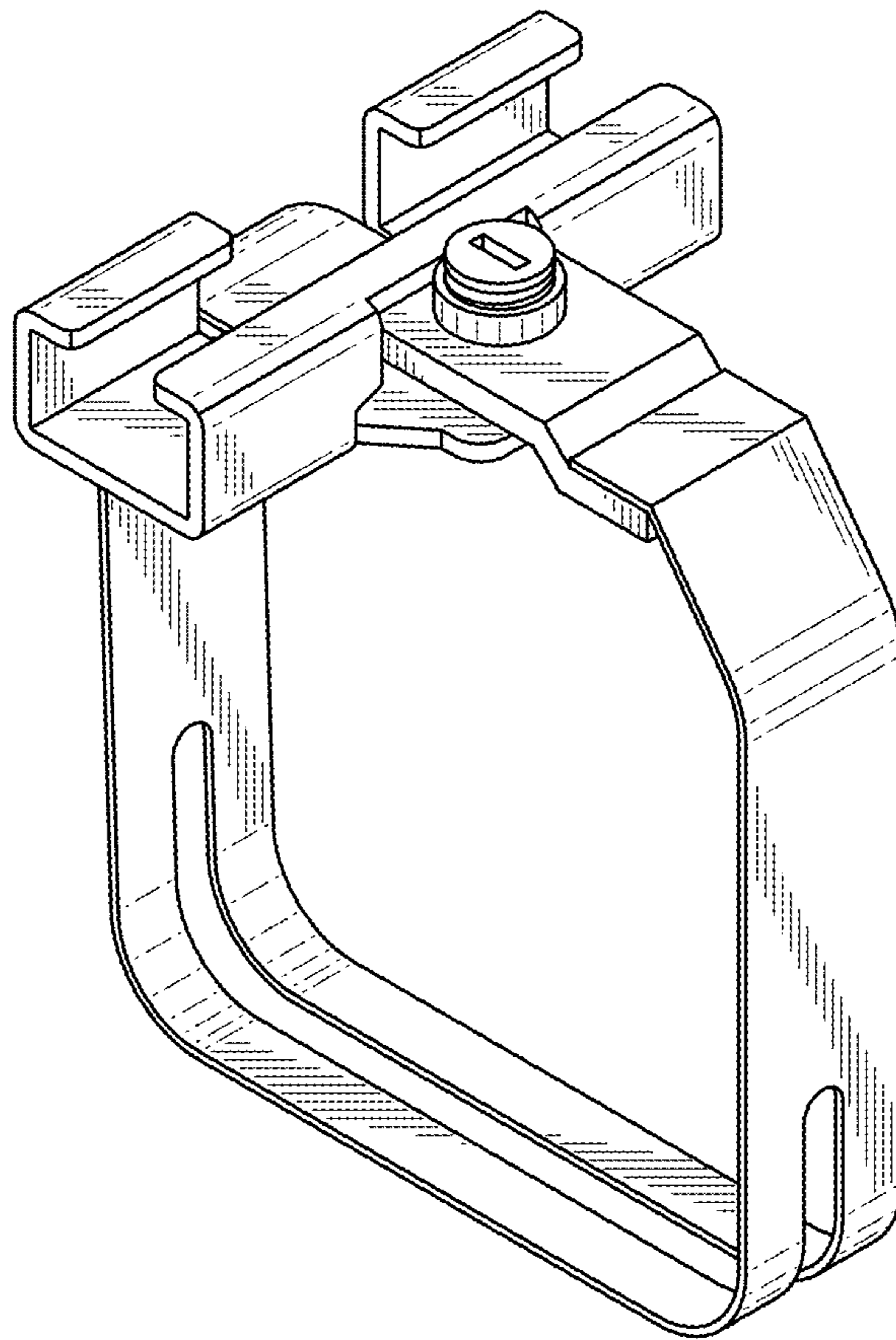


FIG. 27

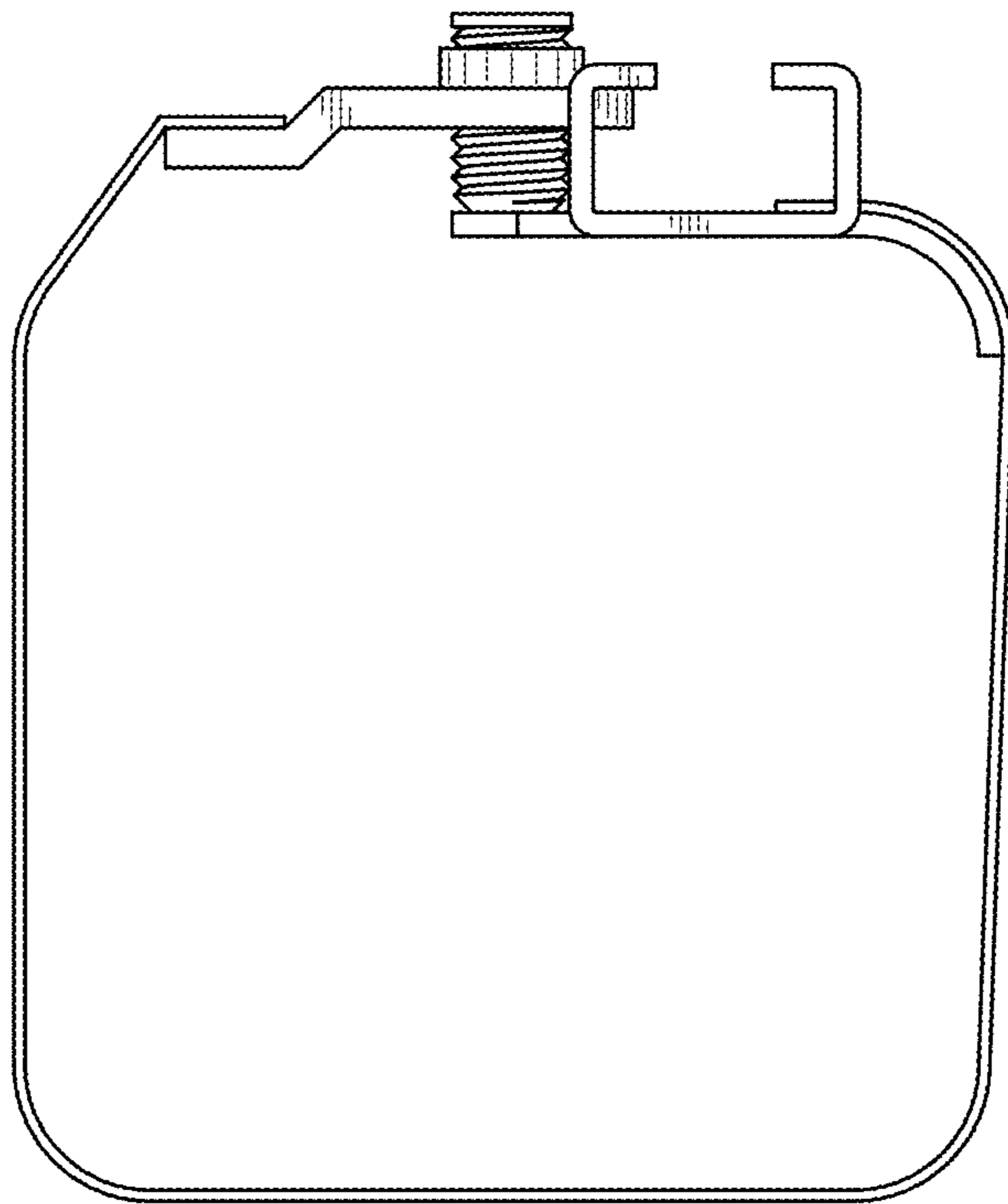


FIG. 28

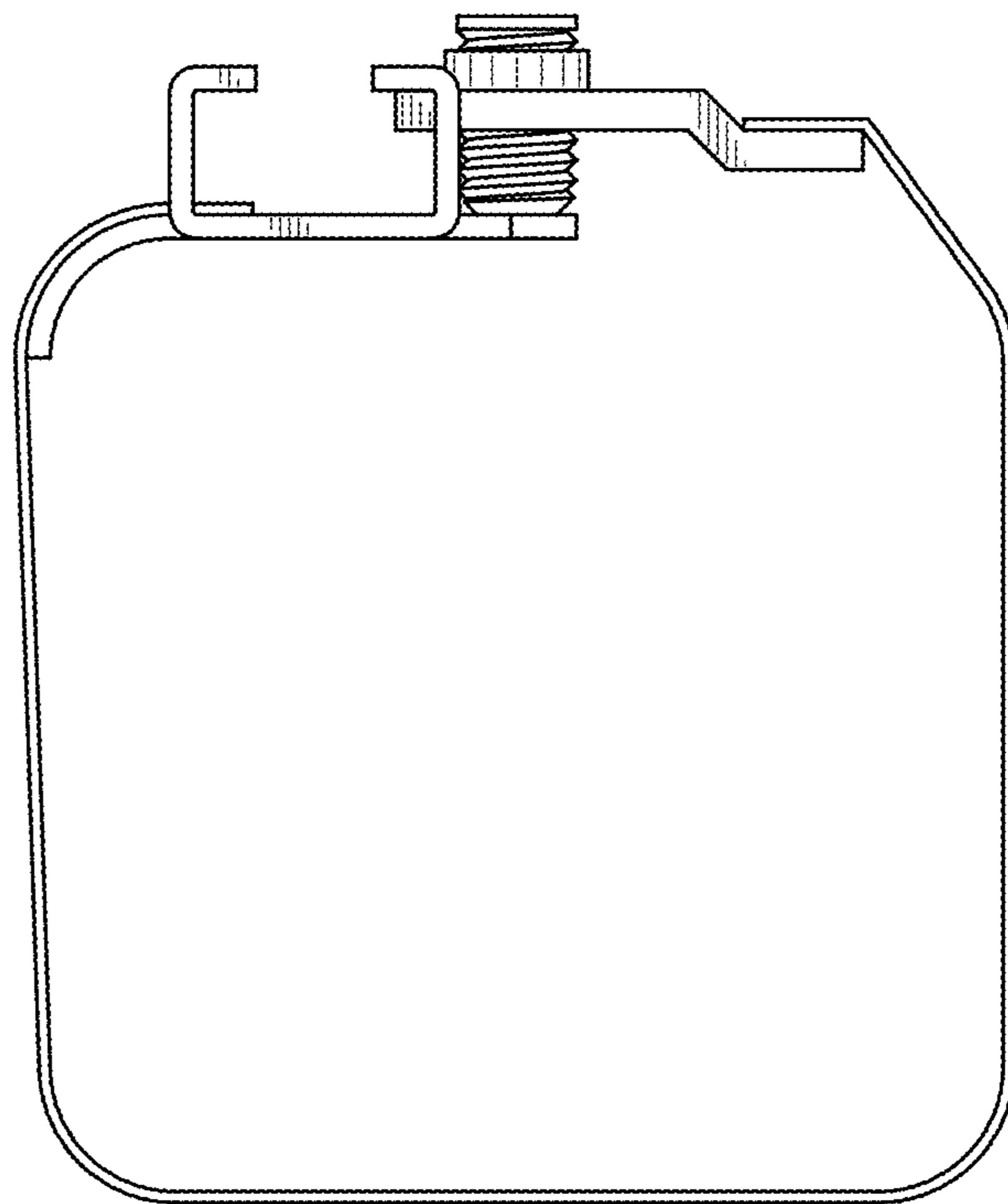


FIG. 29

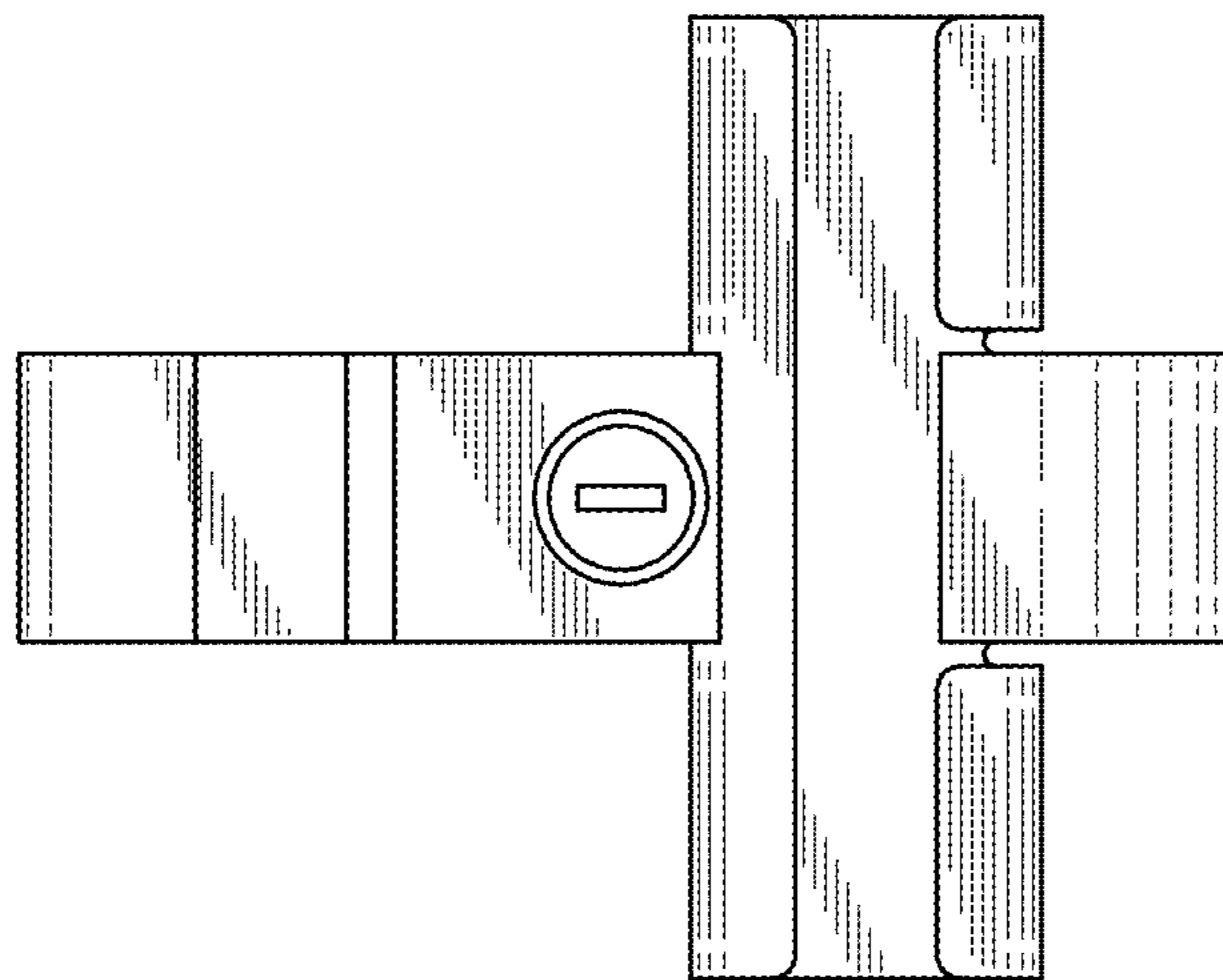


FIG. 30

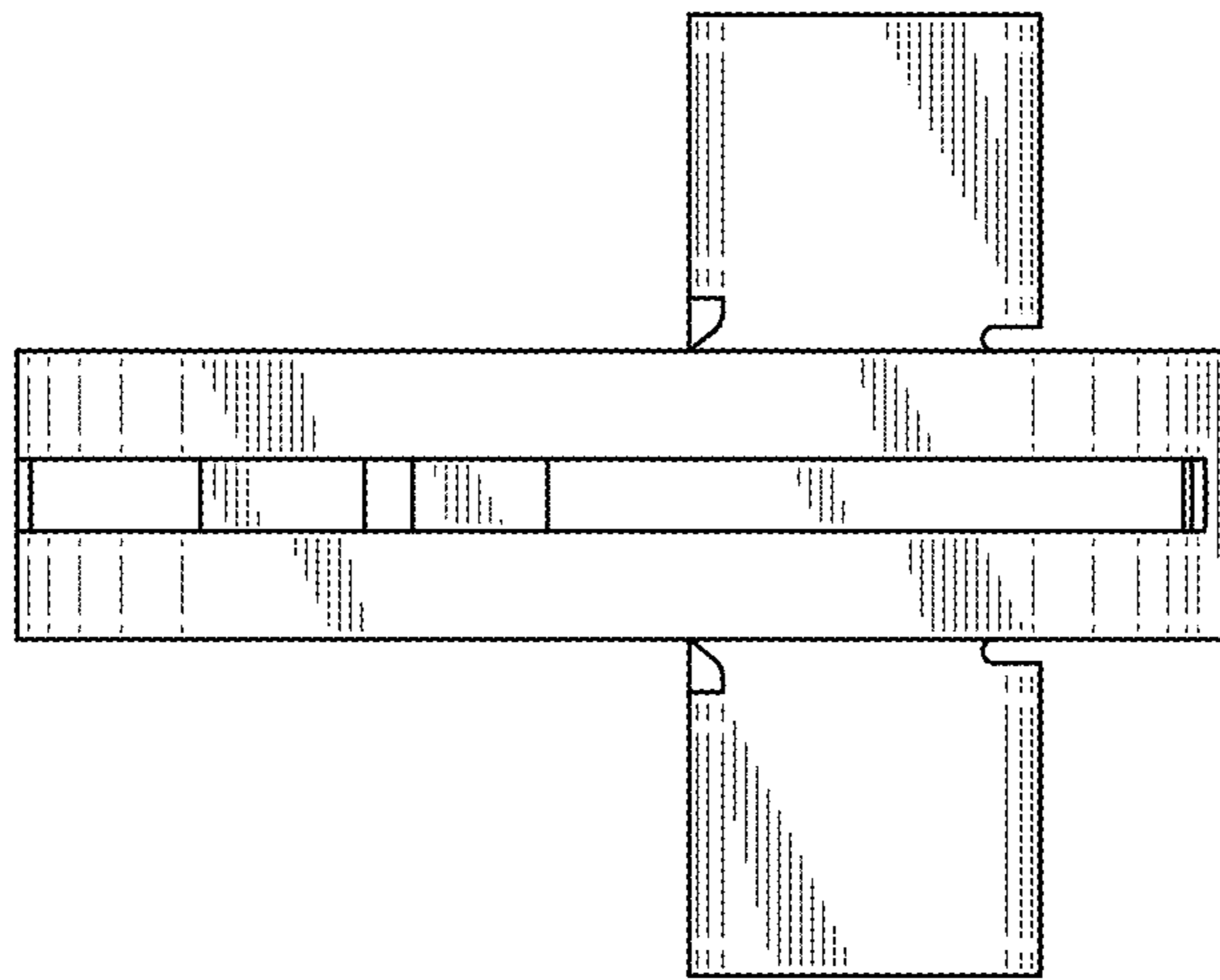


FIG. 31

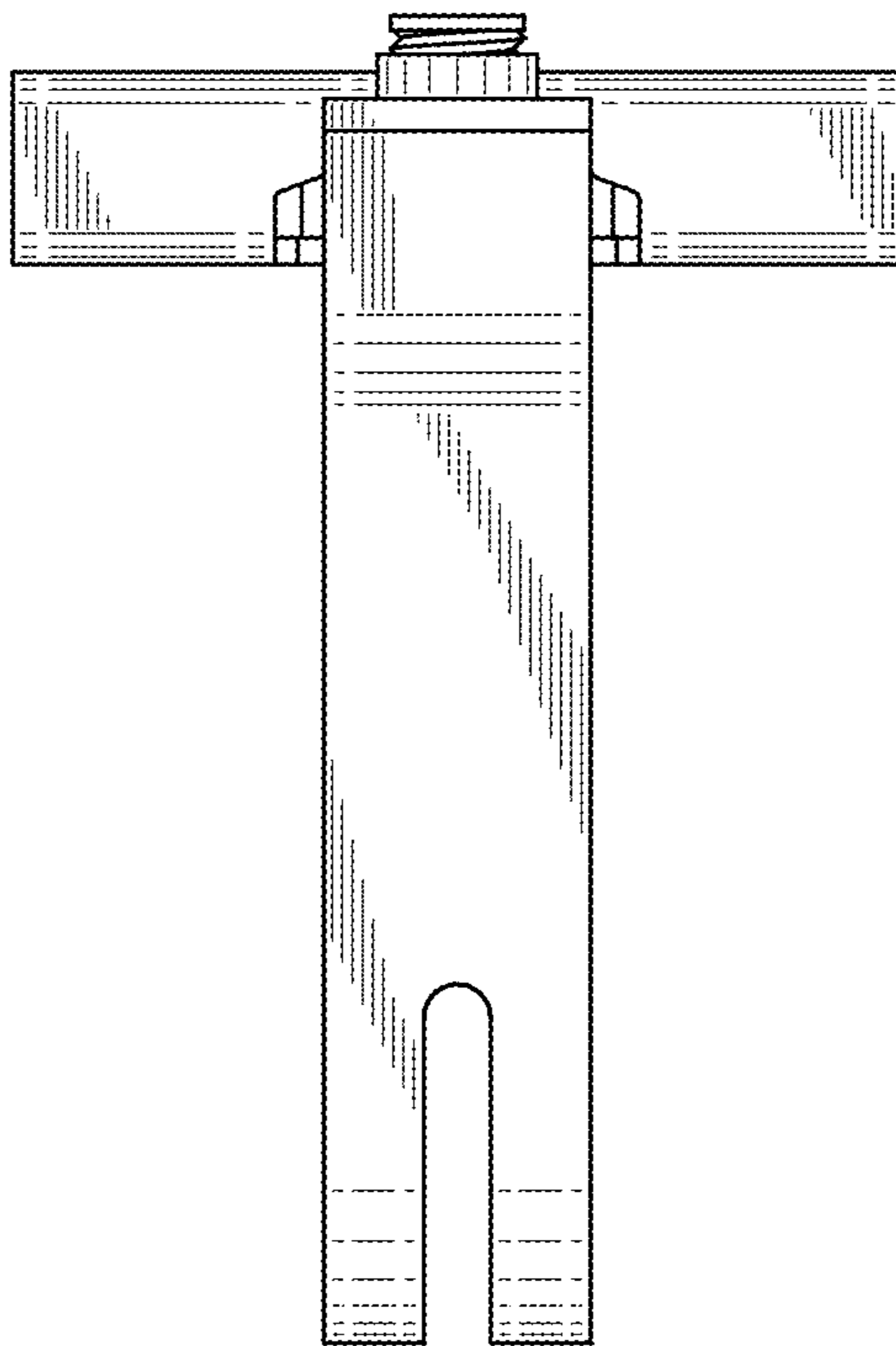


FIG. 32

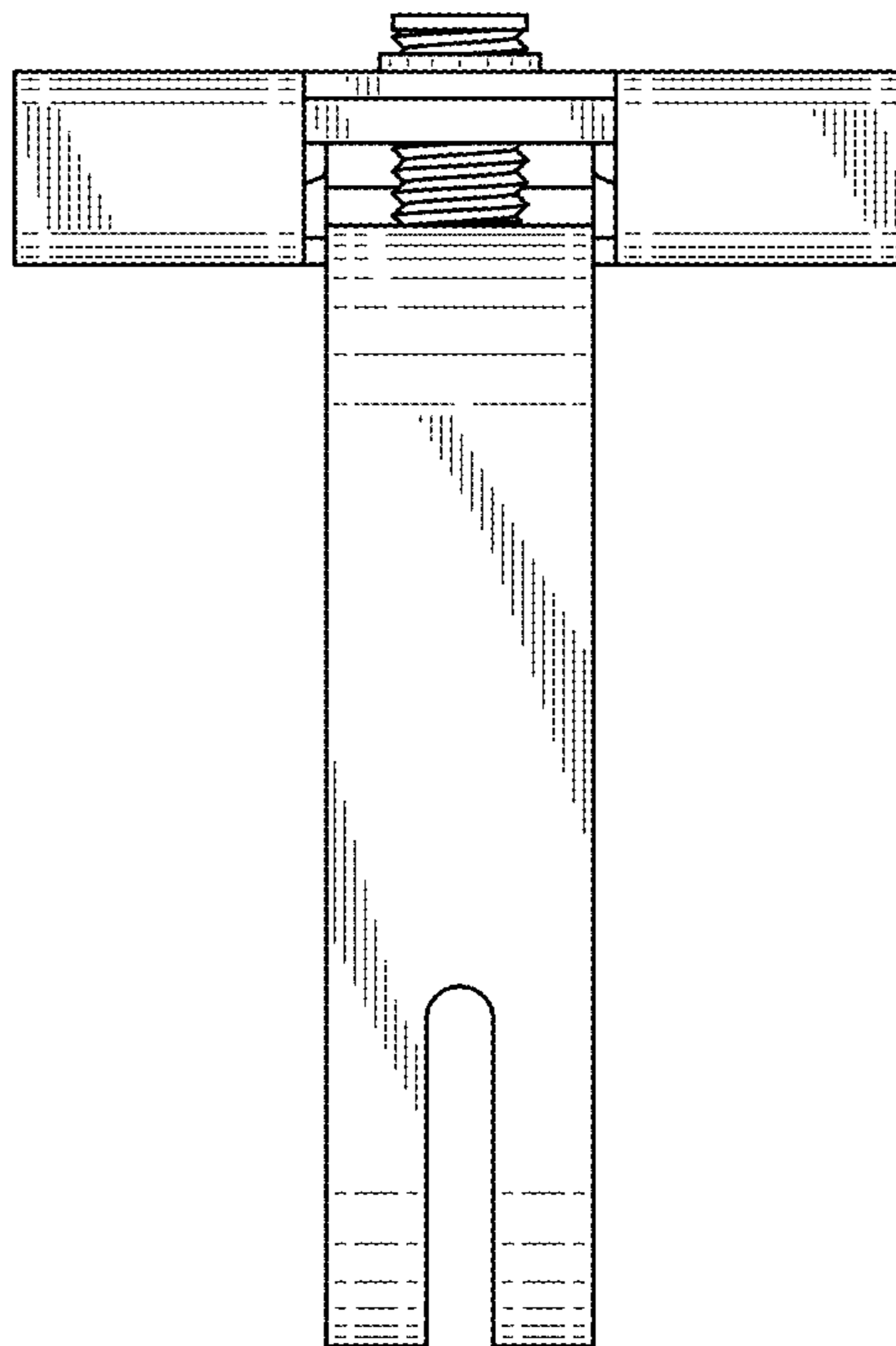


FIG. 33

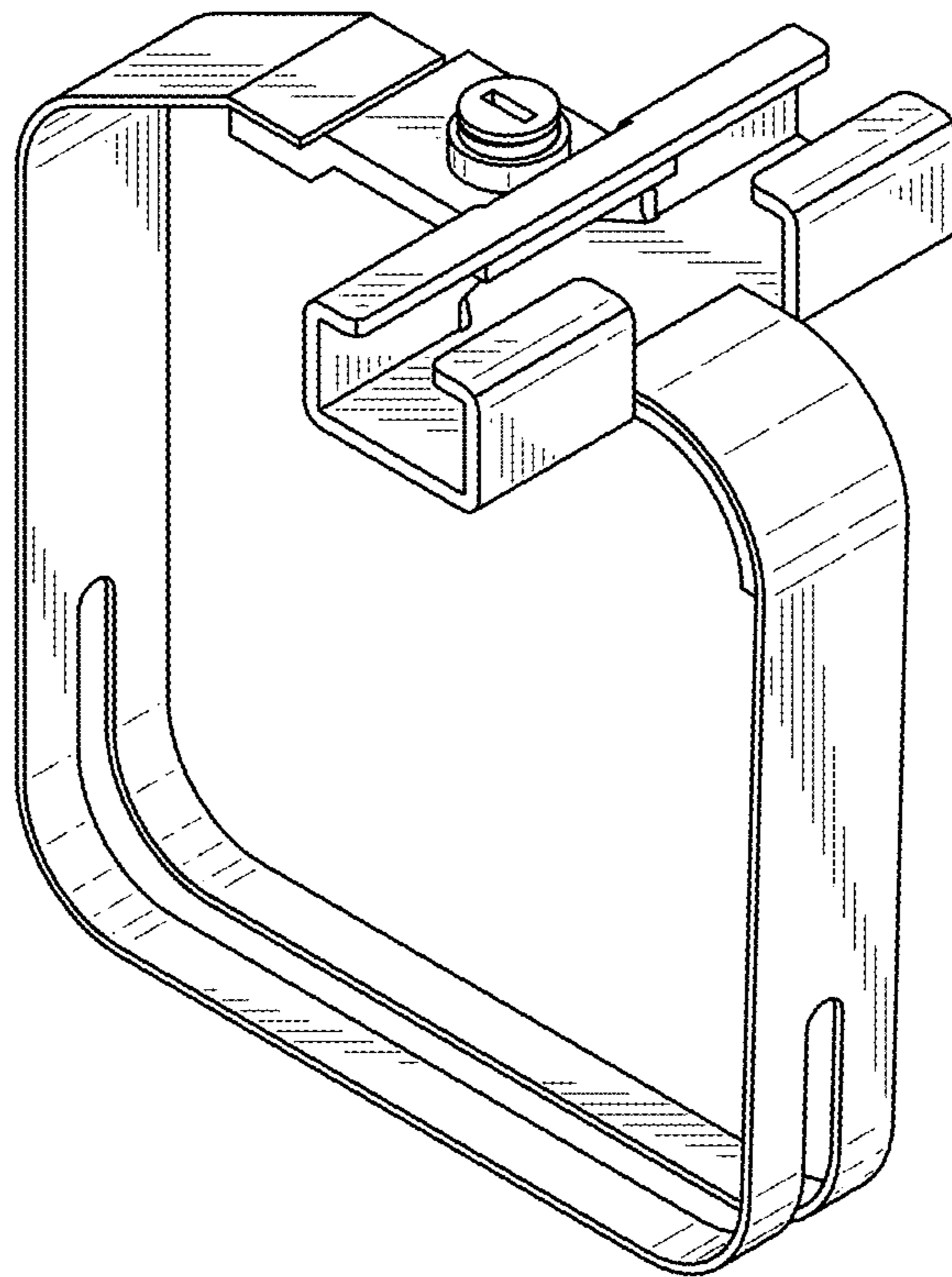


FIG. 34

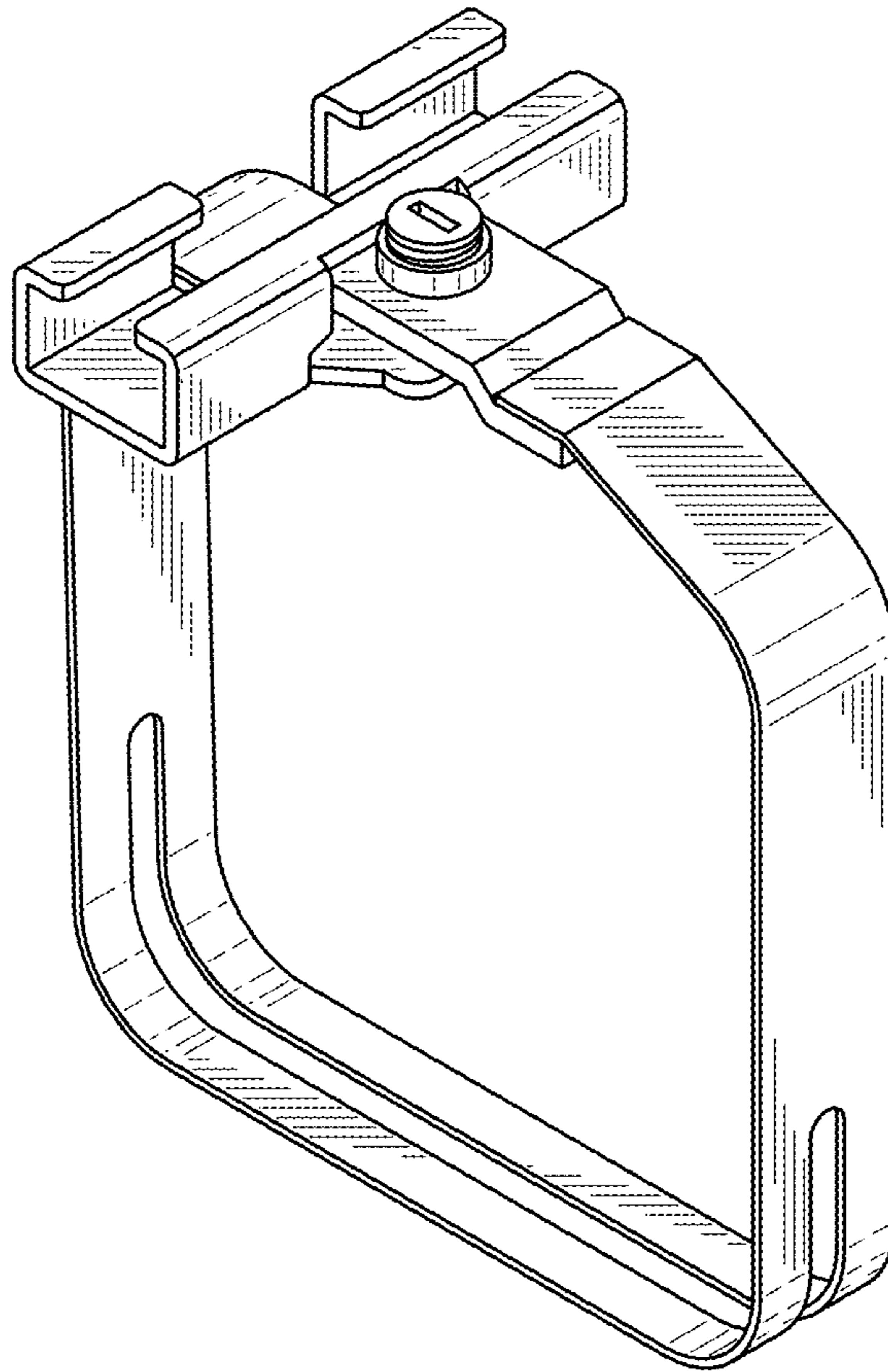


FIG. 35

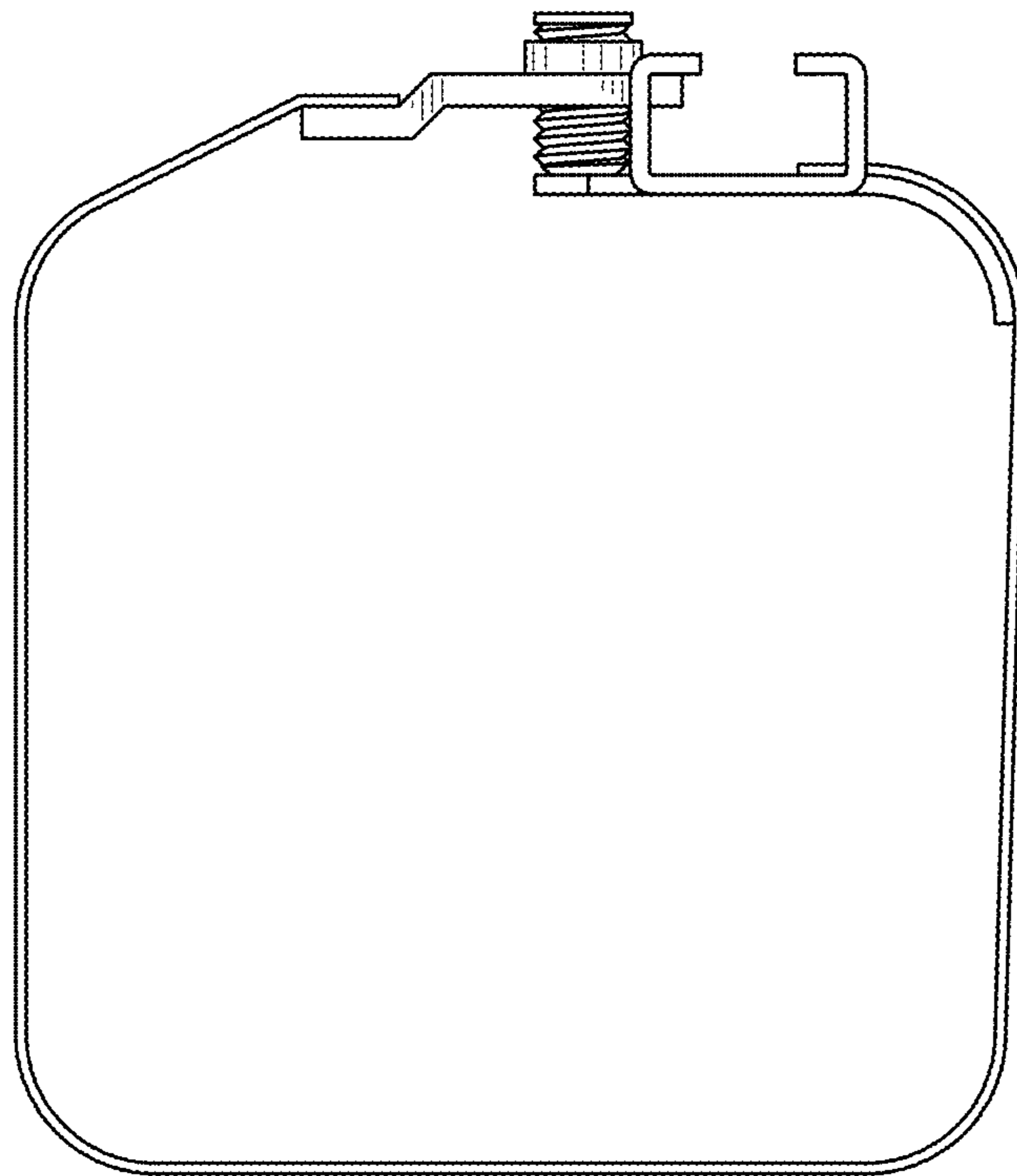


FIG. 36

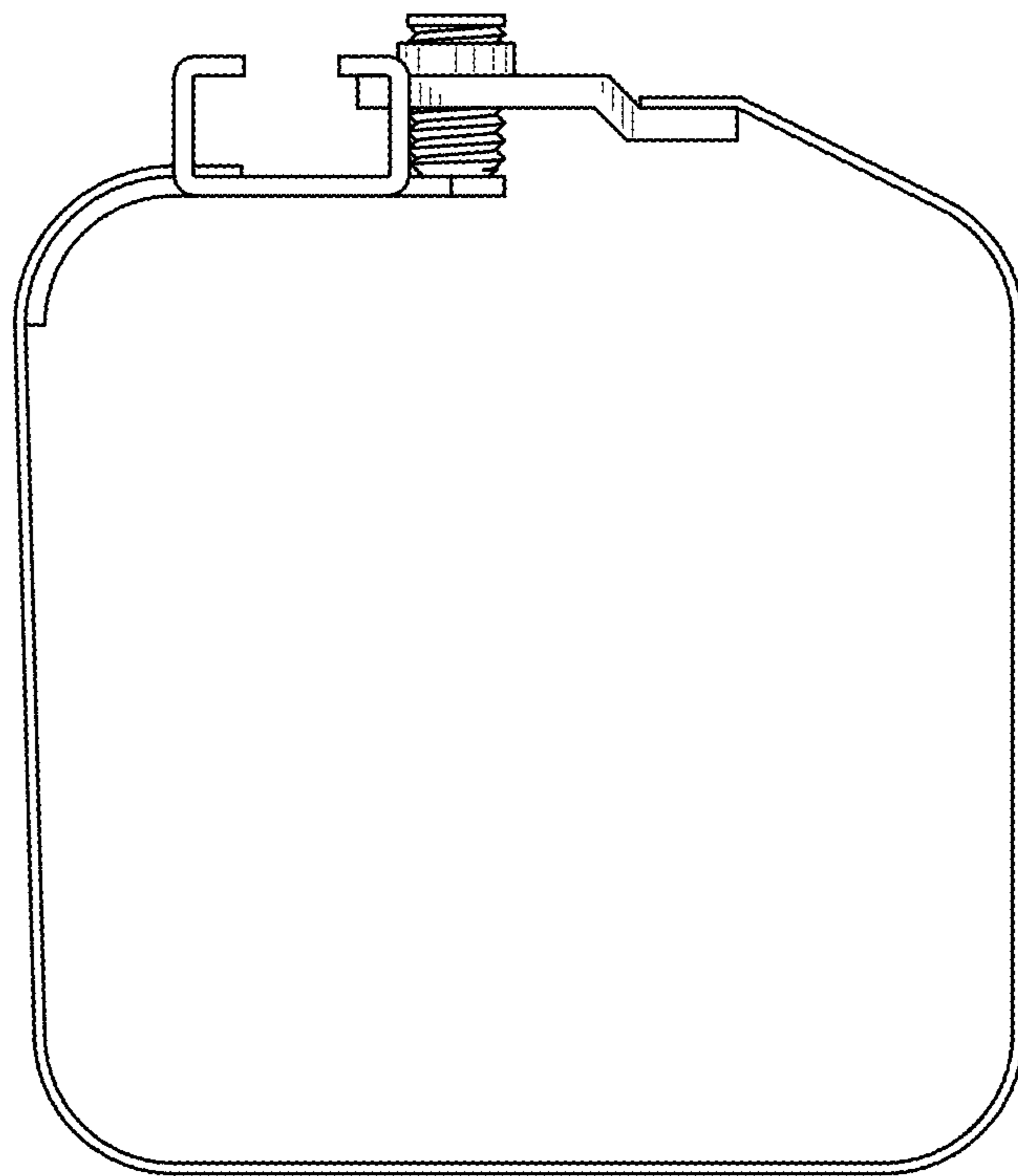


FIG. 37

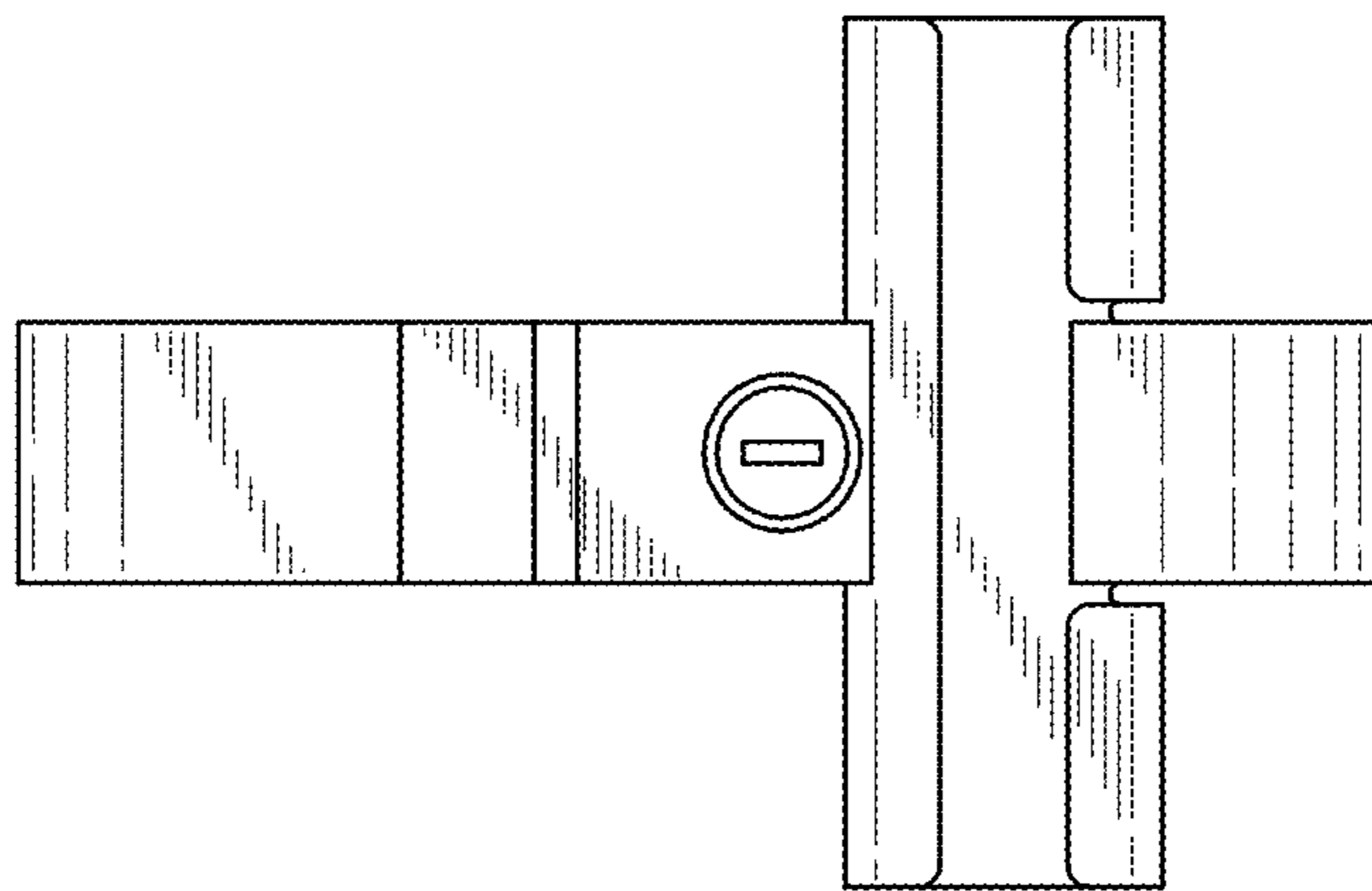


FIG. 38

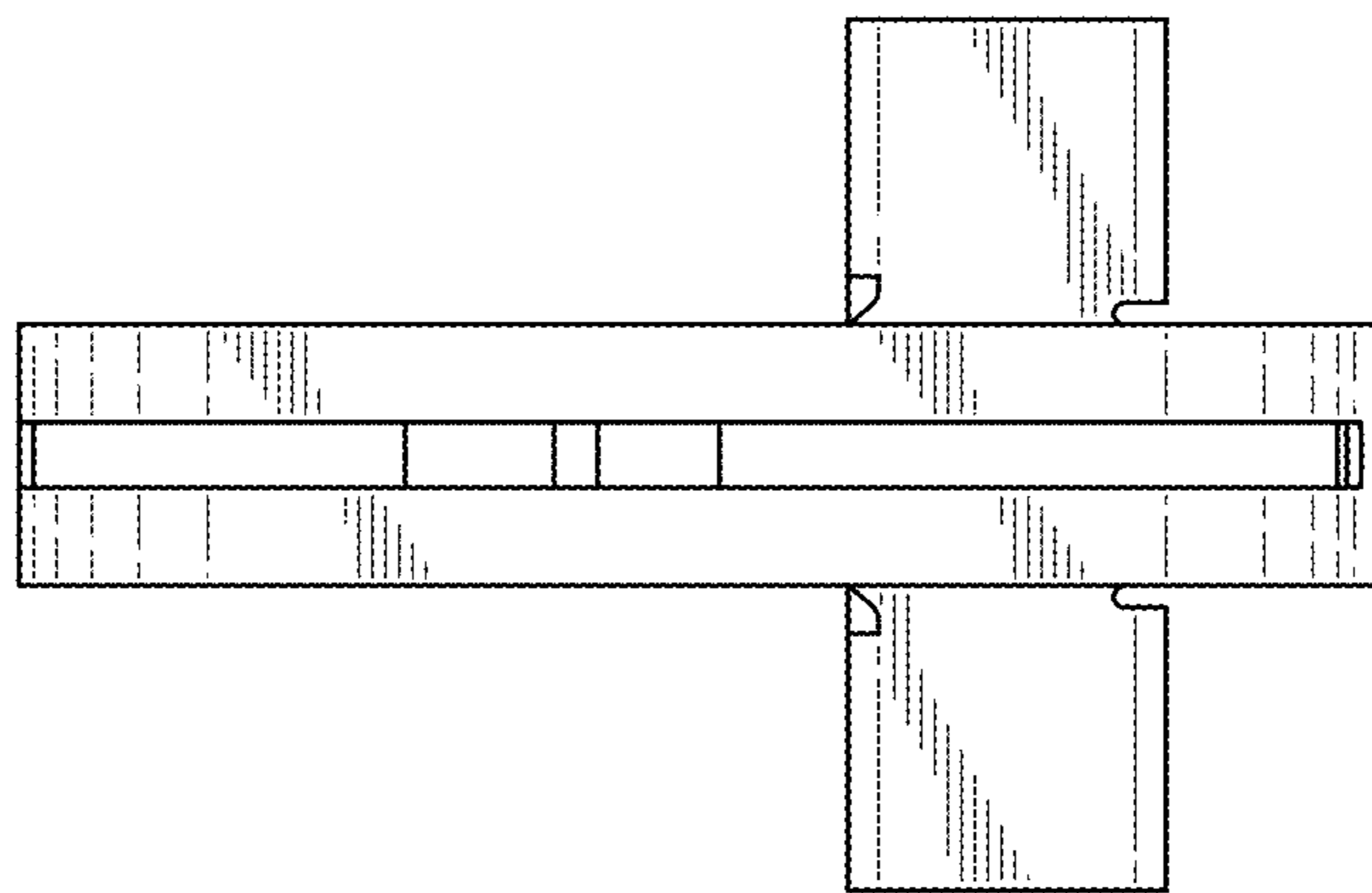


FIG. 39

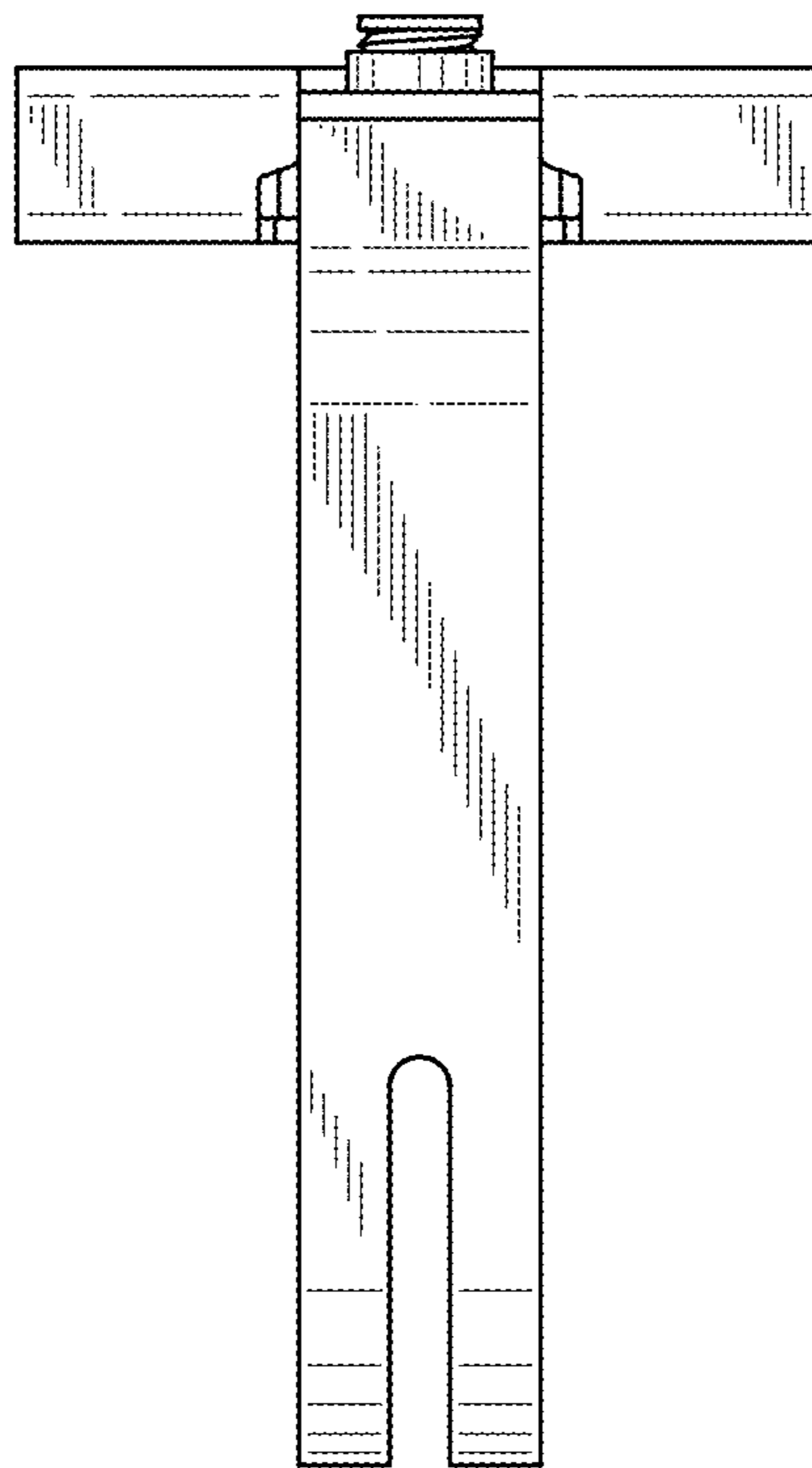


FIG. 40

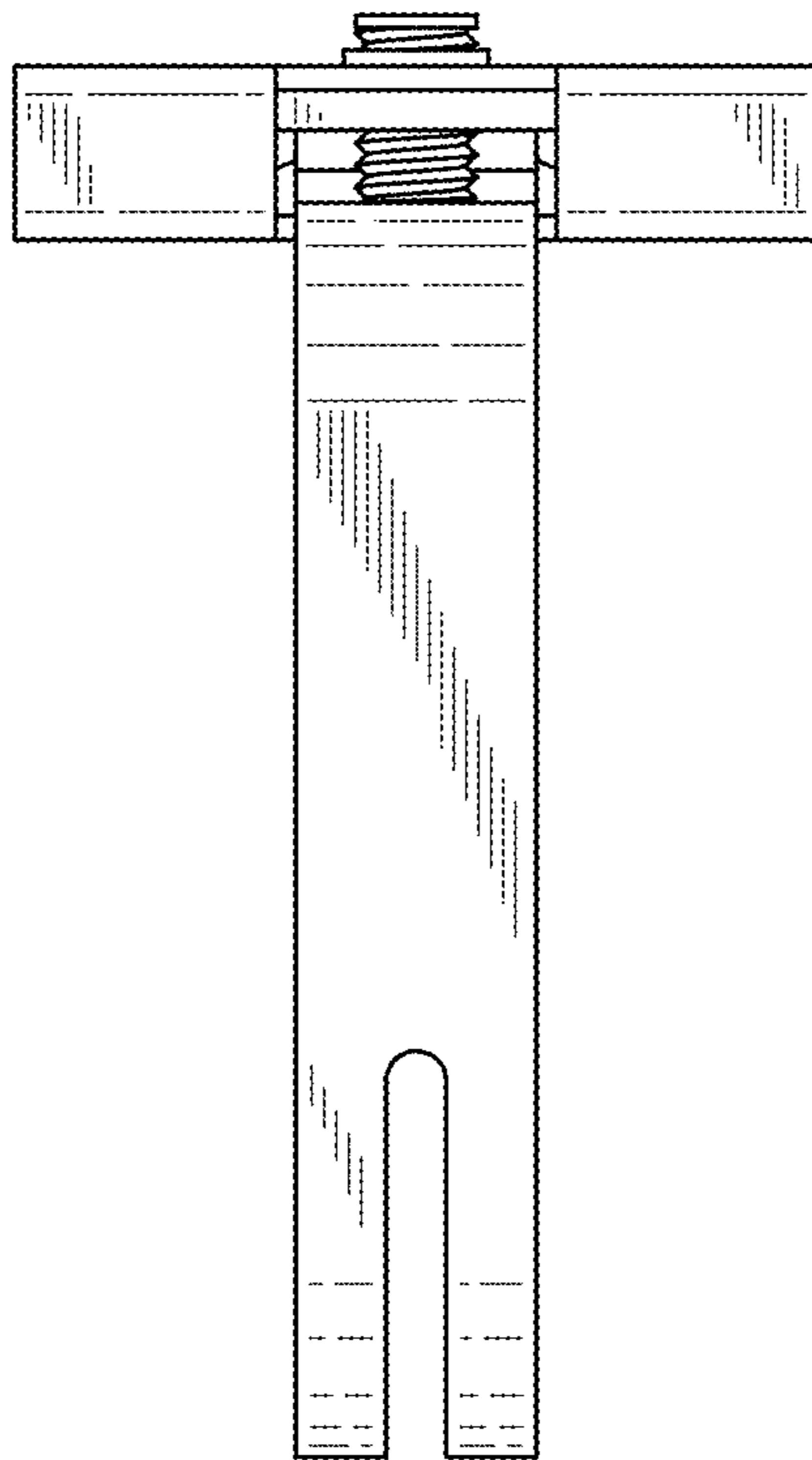


FIG. 41

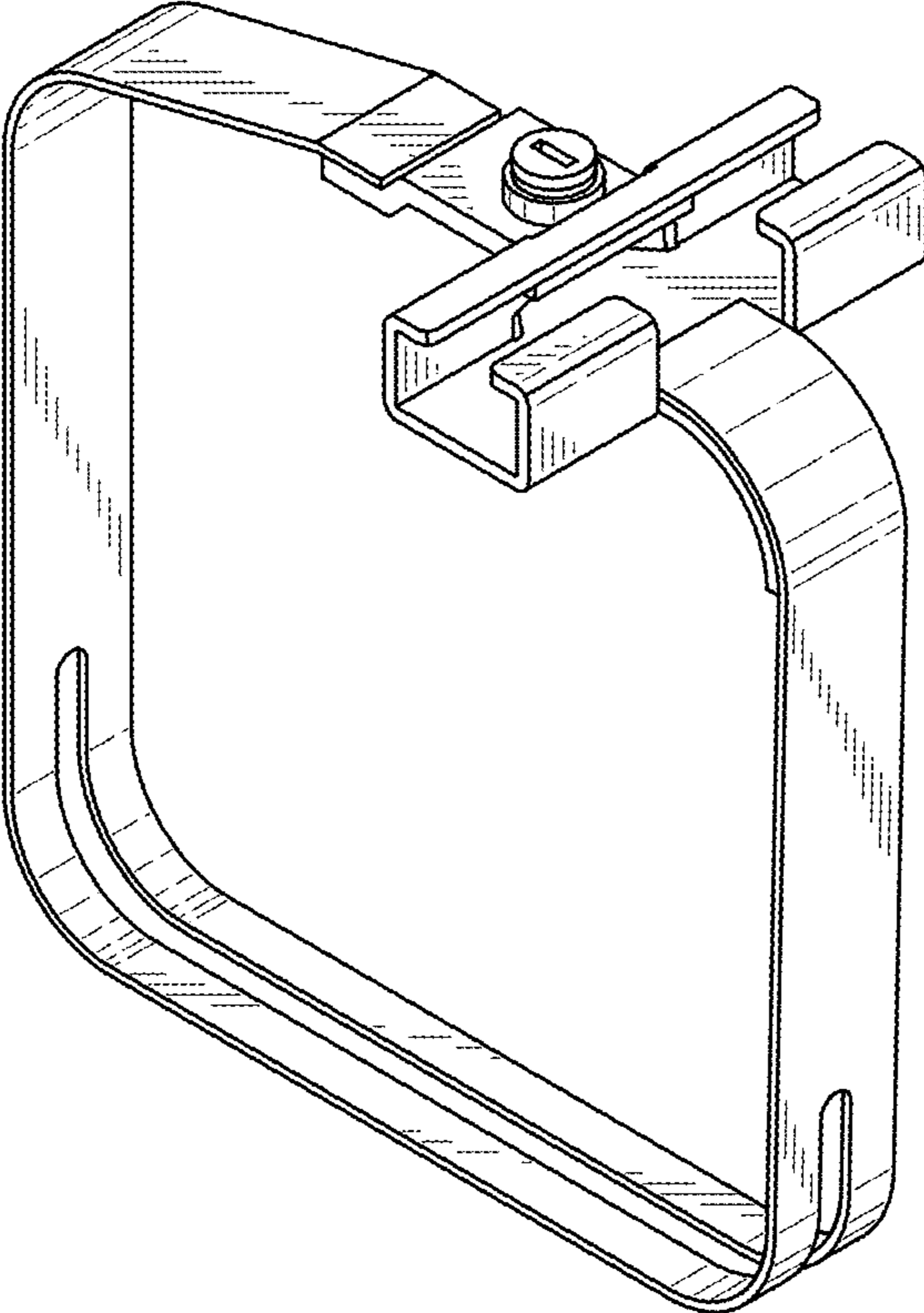


FIG. 42

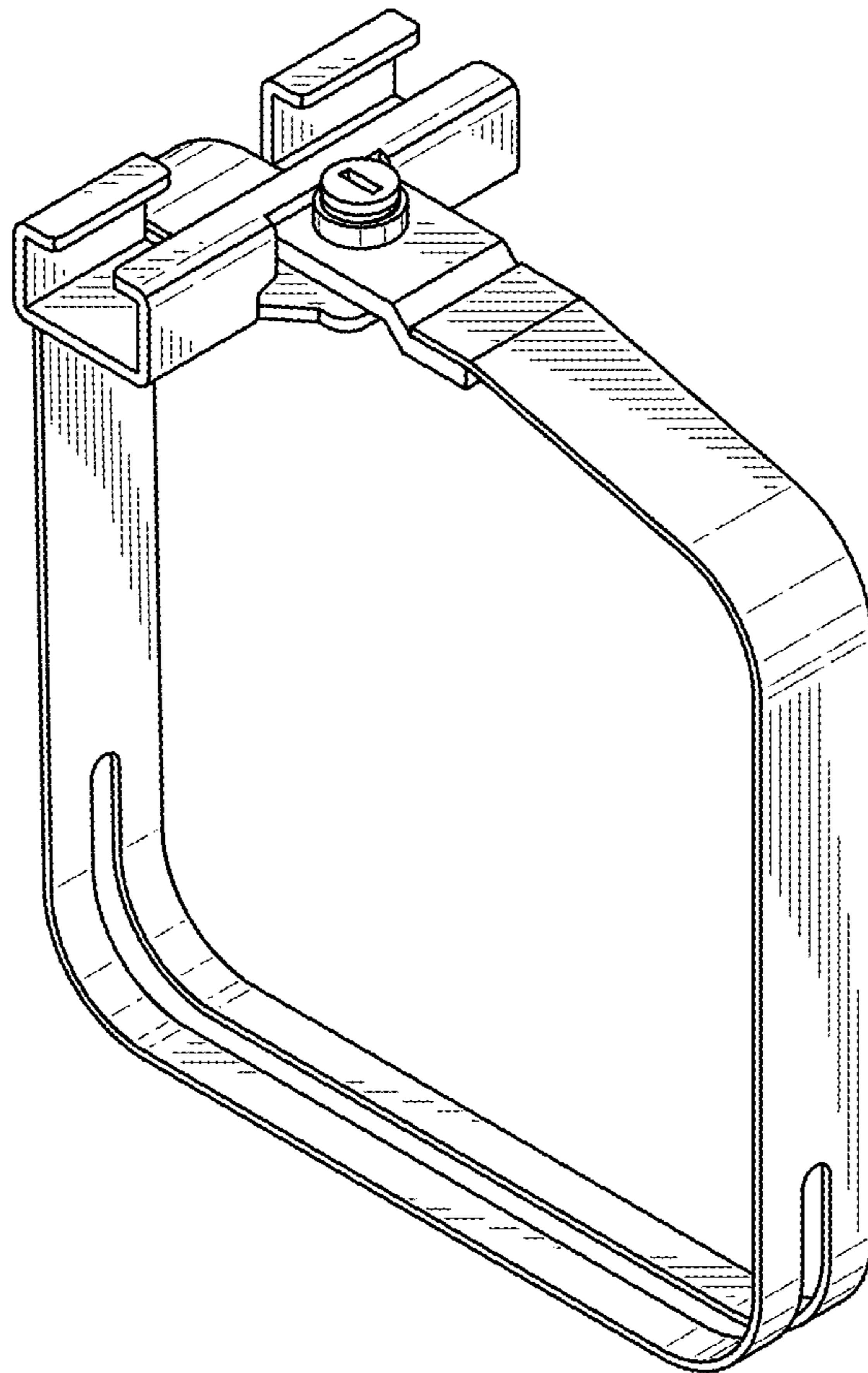


FIG. 43

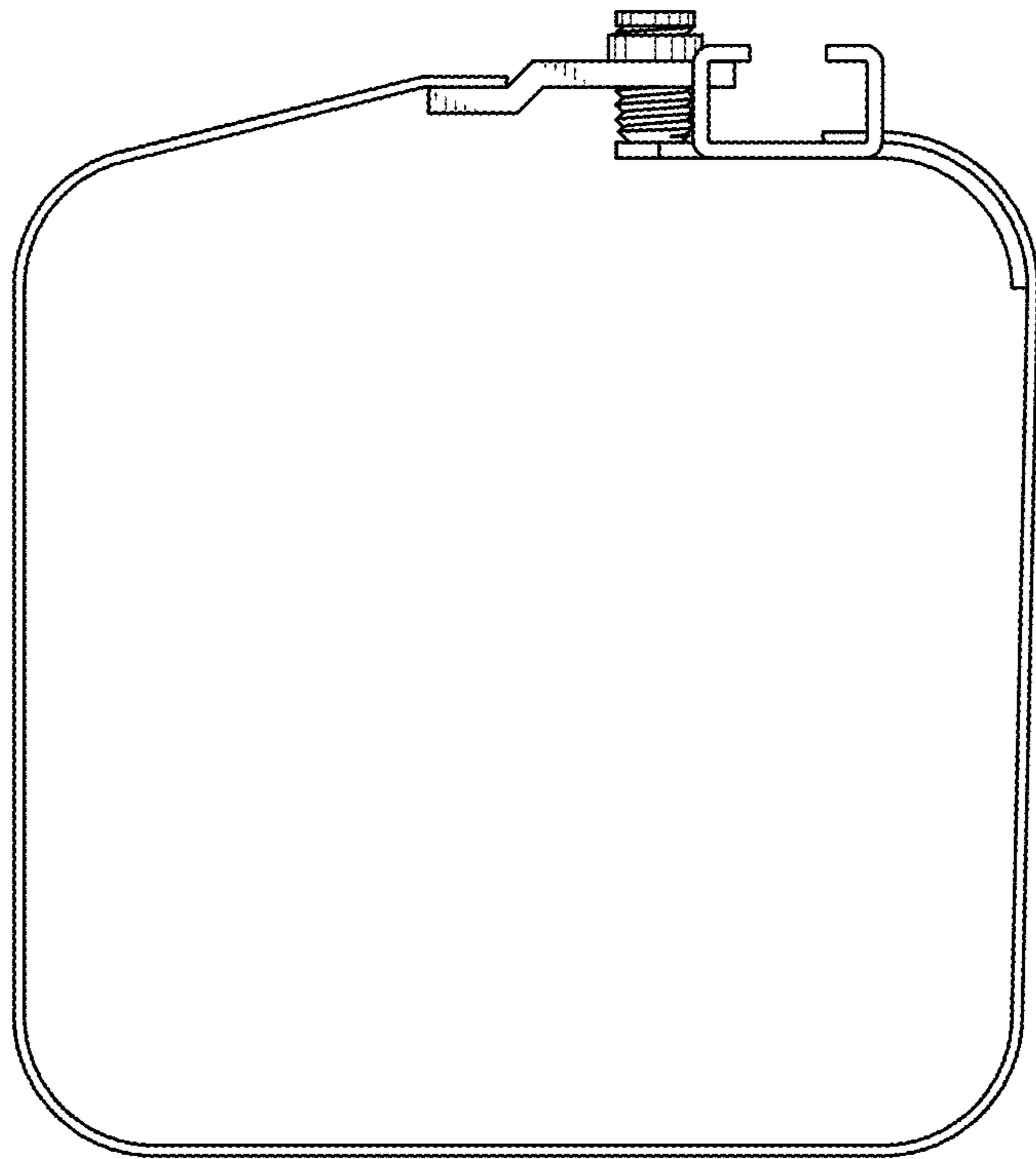


FIG. 44

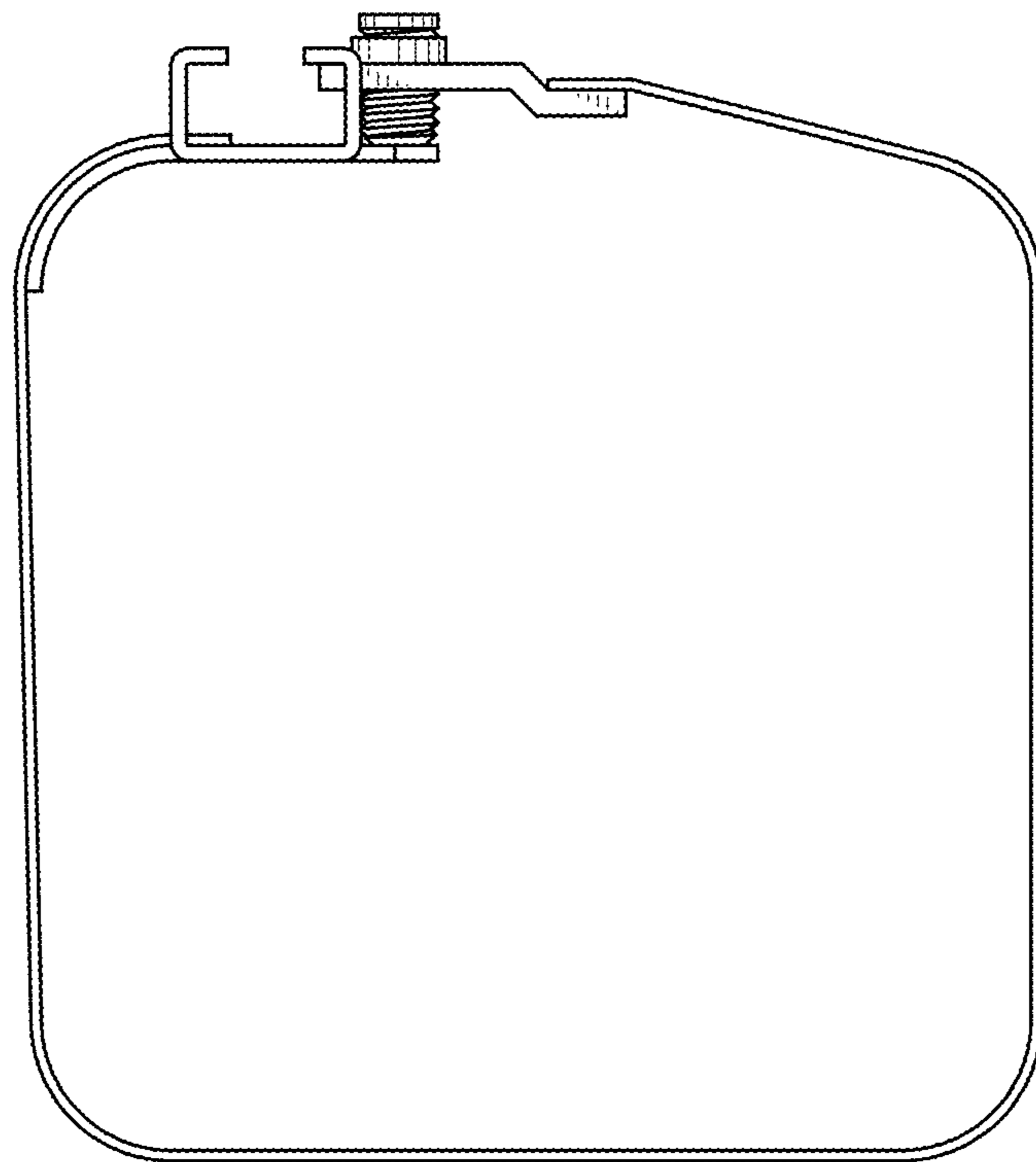


FIG. 45

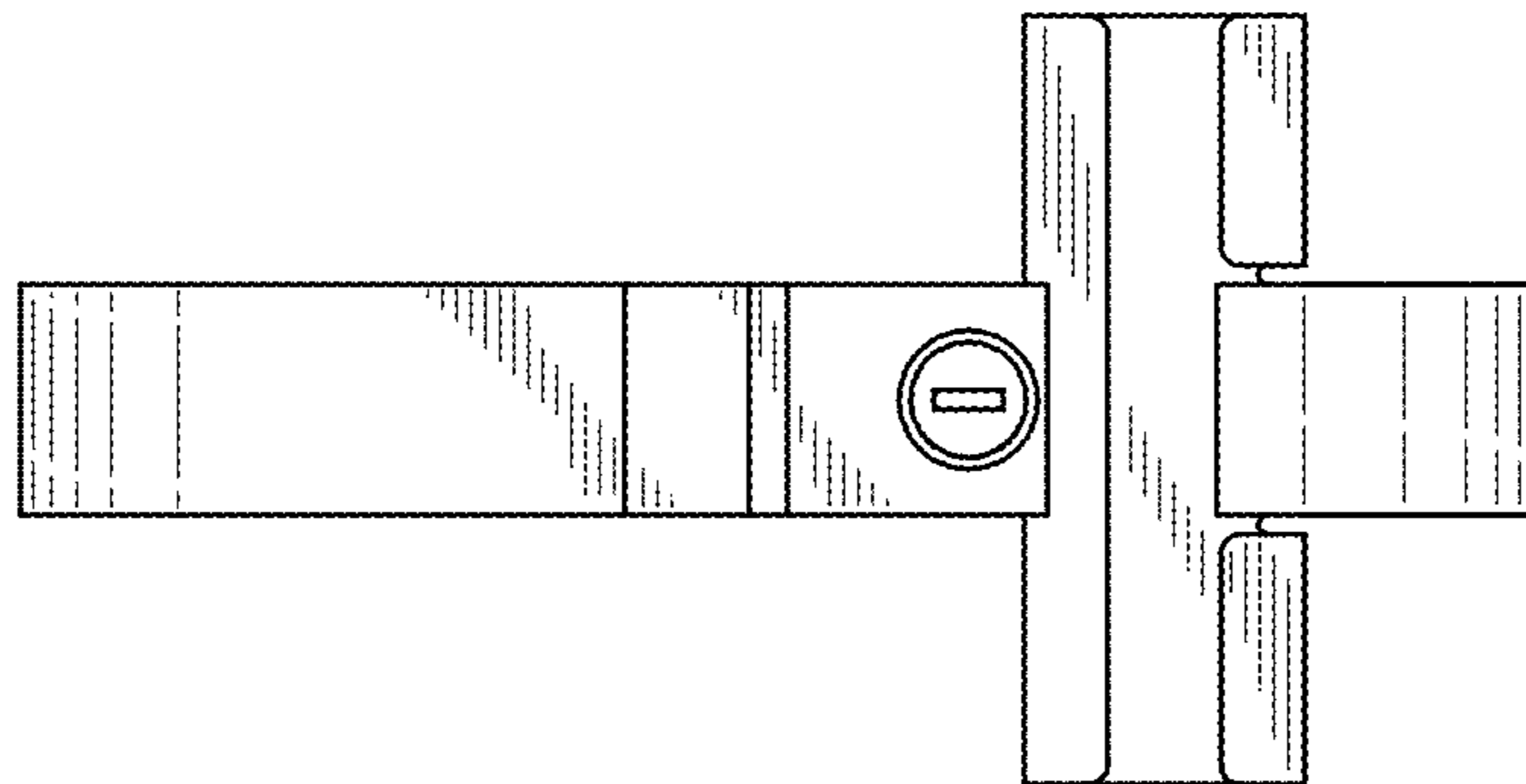


FIG. 46

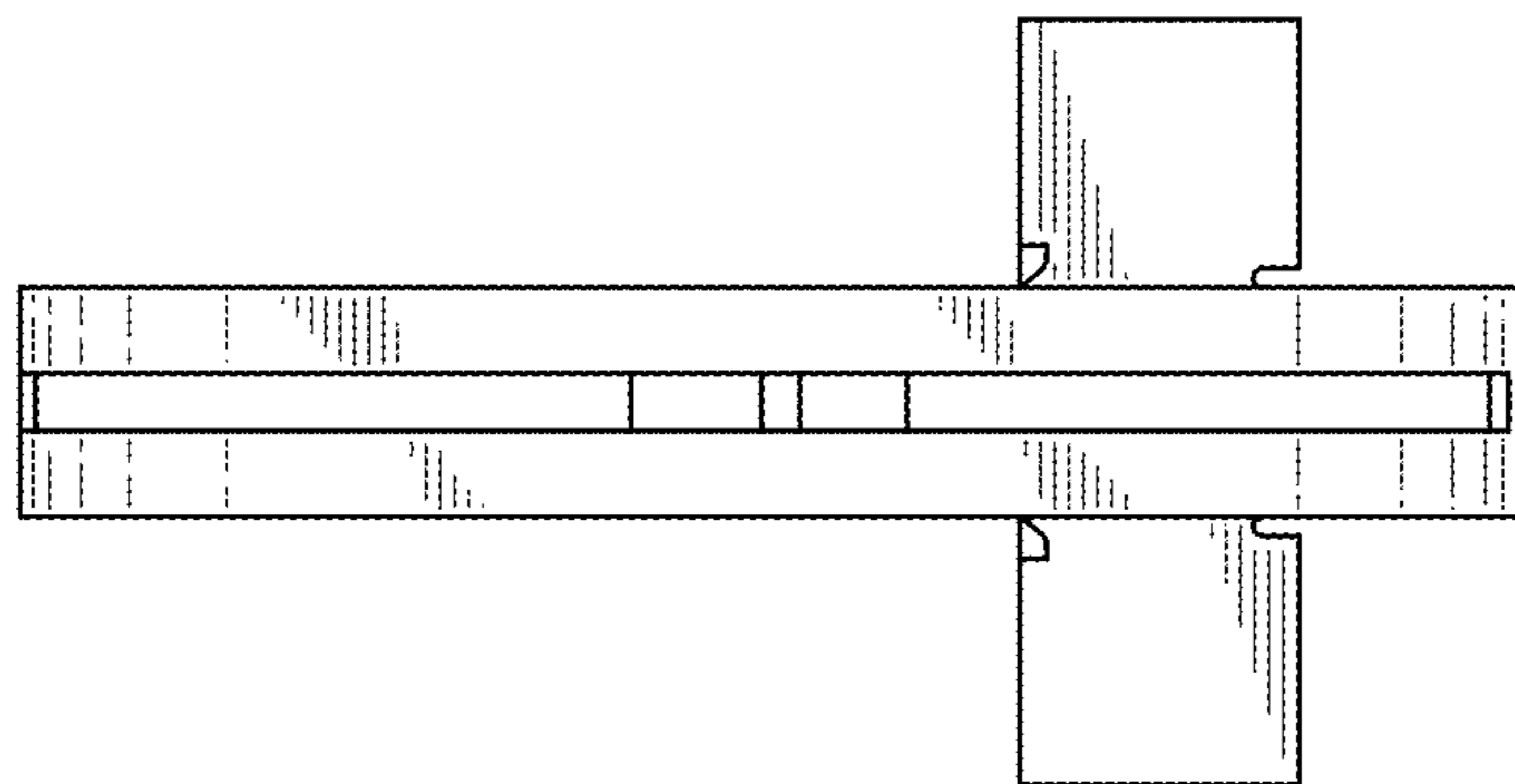


FIG. 47

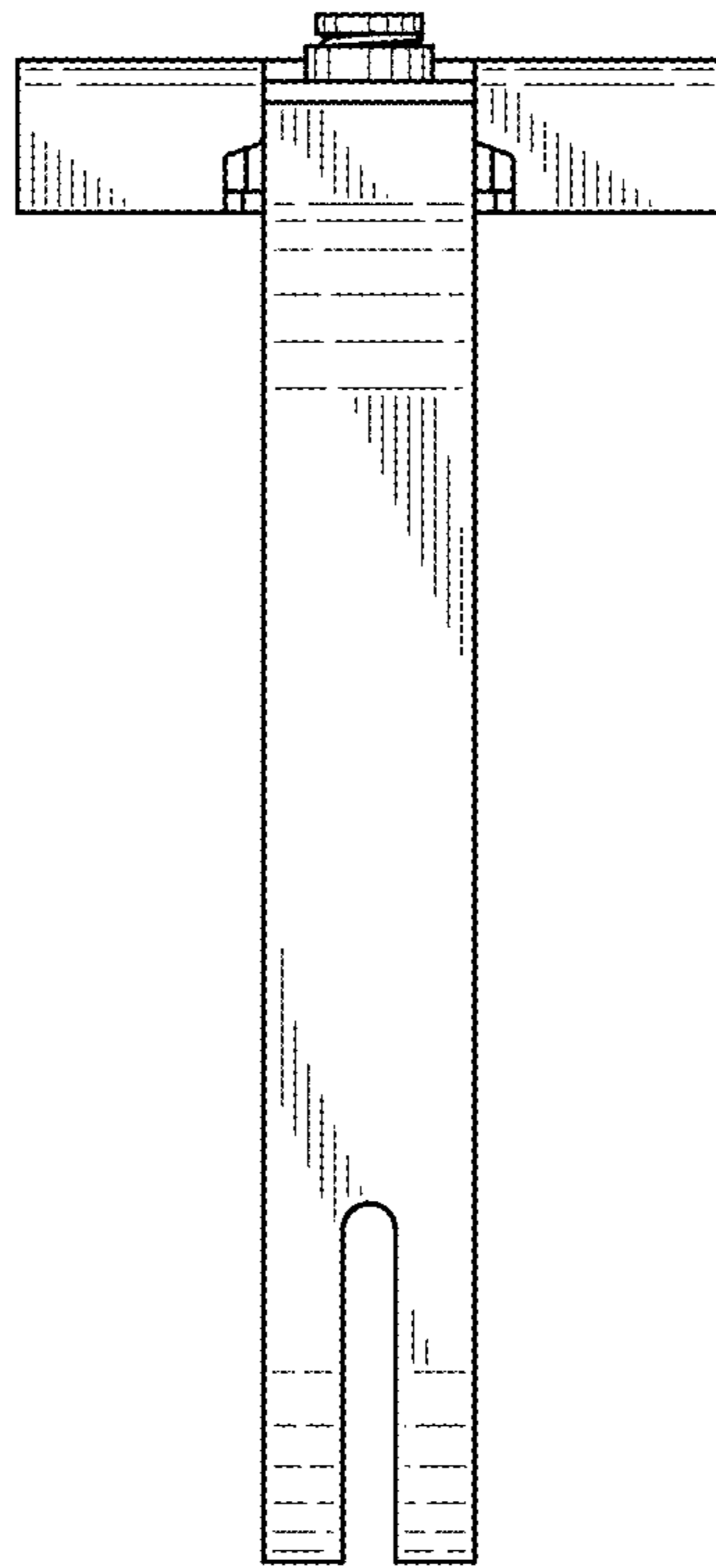


FIG. 48

