



US00D841504S

(12) **United States Design Patent**
Alvarado et al.

(10) **Patent No.:** **US D841,504 S**

(45) **Date of Patent:** **** Feb. 26, 2019**

(54) **ELECTRONIC SENSOR HOUSING**

D727,180 S * 4/2015 Lai D10/50
D803,705 S * 11/2017 Read D10/50
D825,365 S * 8/2018 Van Der Bijl D10/104.1

(71) Applicant: **ECOLINK INTELLIGENT TECHNOLOGY, INC.**, Carlsbad, CA (US)

* cited by examiner

(72) Inventors: **Cesar Alvarado**, Riverside, CA (US);
Rex Xu, Foothill Ranch, CA (US)

Primary Examiner — George D. Kirschbaum
(74) *Attorney, Agent, or Firm* — Greenberg Traurig, LLP

(73) Assignee: **ECOLINK INTELLIGENT TECHNOLOGY, INC.**, Carlsbad, CA (US)

(57) **CLAIM**

The ornamental design for an electronic sensor housing, as shown and described.

(**) Term: **15 Years**

DESCRIPTION

(21) Appl. No.: **29/589,384**

FIG. 1 is a top, front, three-quarter perspective view of the electronic sensor housing for mounting in a corner or against a flat surface;

(22) Filed: **Dec. 30, 2016**

FIG. 2 is a front plan view thereof;

(51) **LOC (11) Cl.** **10-04**

FIG. 3 is a rear plan view thereof;

(52) **U.S. Cl.**

FIG. 4 is a left plan view thereof, showing a sloped right-facing front portion;

USPC **D10/103**

FIG. 5 is a right plan view thereof, showing the sloped front portion facing left;

(58) **Field of Classification Search**

USPC D10/50, 103, 60, 74, 104.1, 121, 106.1

See application file for complete search history.

FIG. 6 is a top plan view thereof;

FIG. 7 is a bottom perspective view thereof, illustrating how the front face of the electronic sensor housing is seen when viewing the electronic sensor housing from the bottom; and,

FIG. 8 is a front, bottom, perspective view thereof.

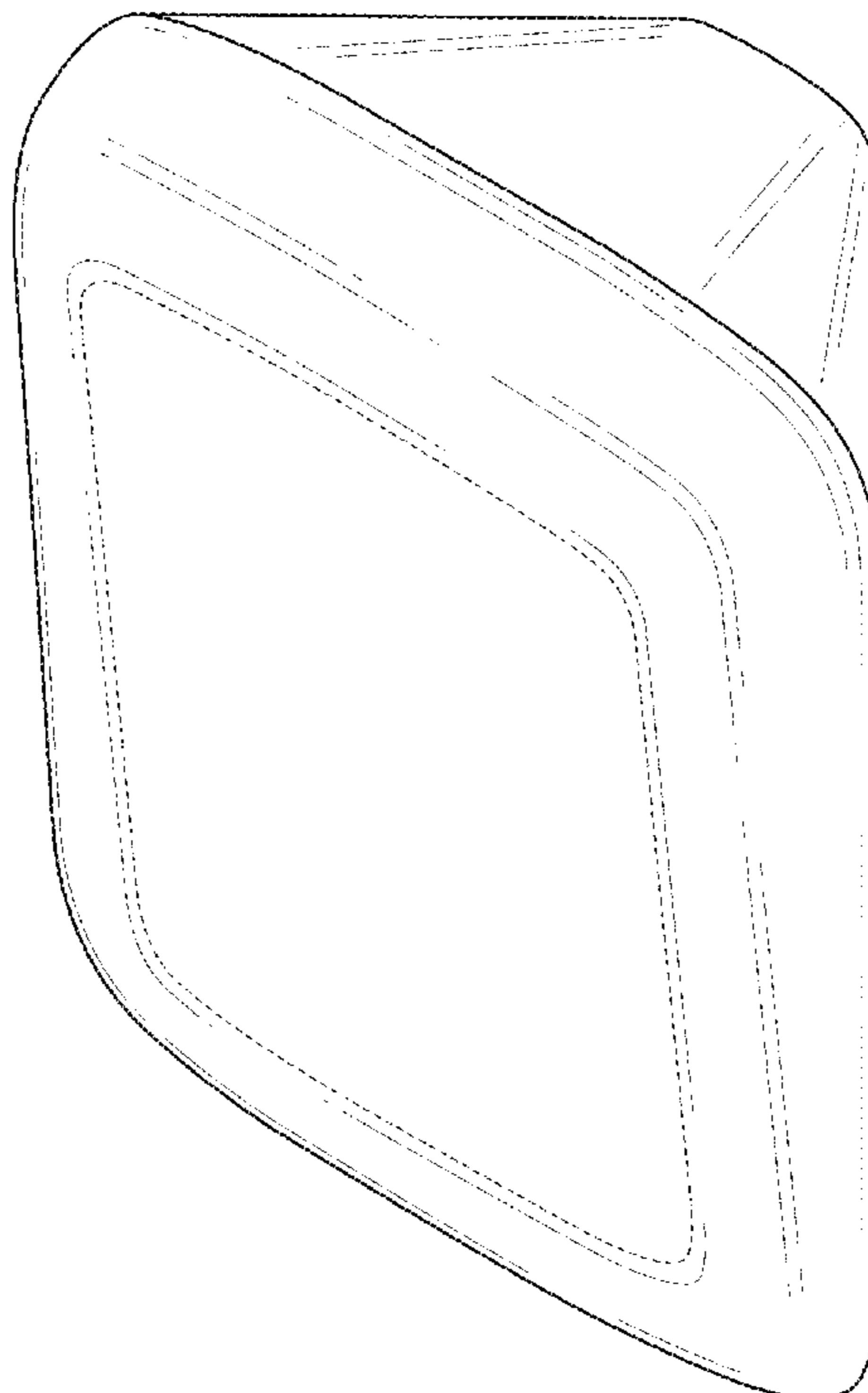
The broken line showing is included for the purpose of illustrating portions of the “article” and forms no part of the claimed design.

(56) **References Cited**

U.S. PATENT DOCUMENTS

D235,749 S * 7/1975 Sullivan D10/106.1
D279,554 S * 7/1985 Hicks D10/103

1 Claim, 8 Drawing Sheets



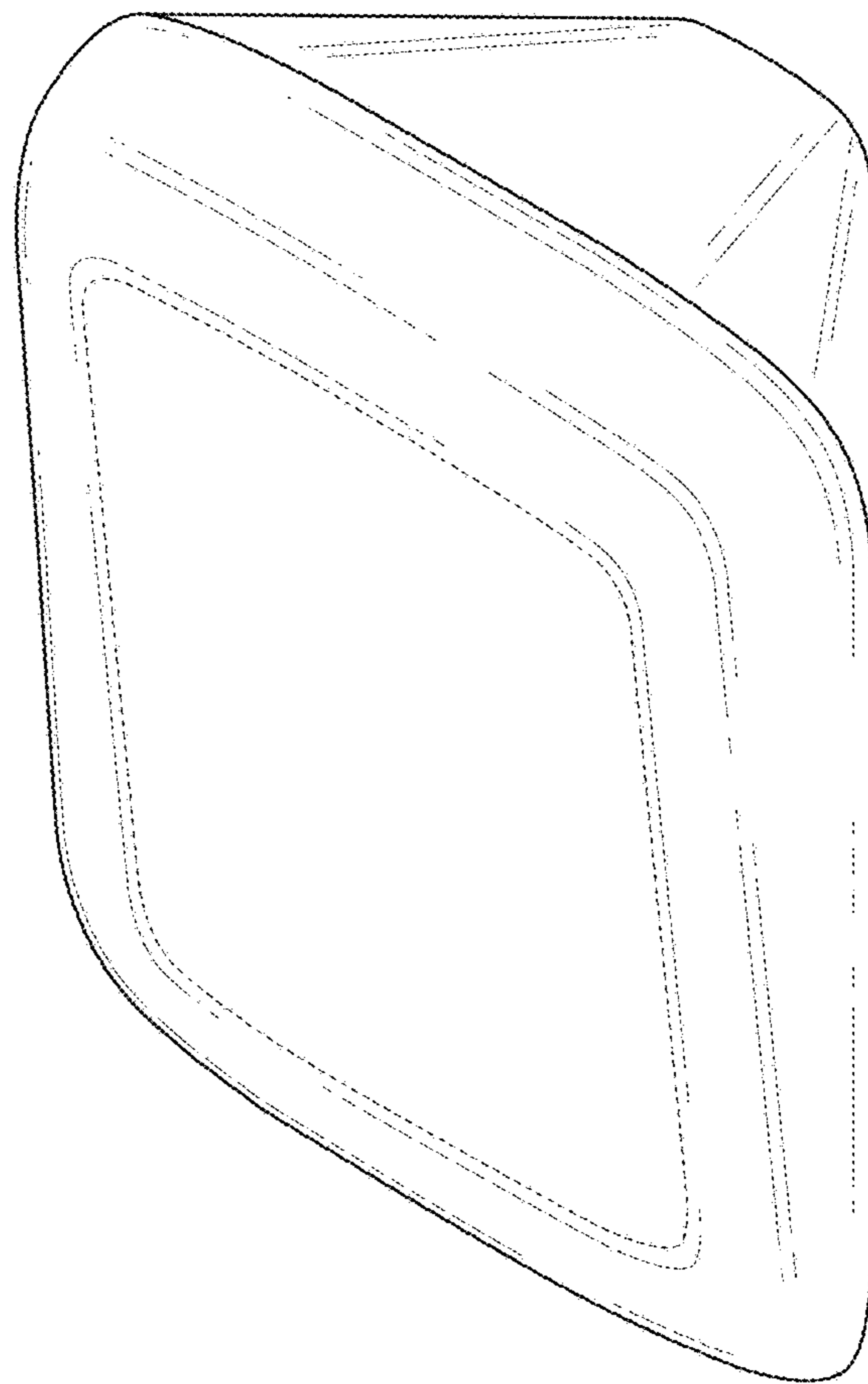


FIG. 1

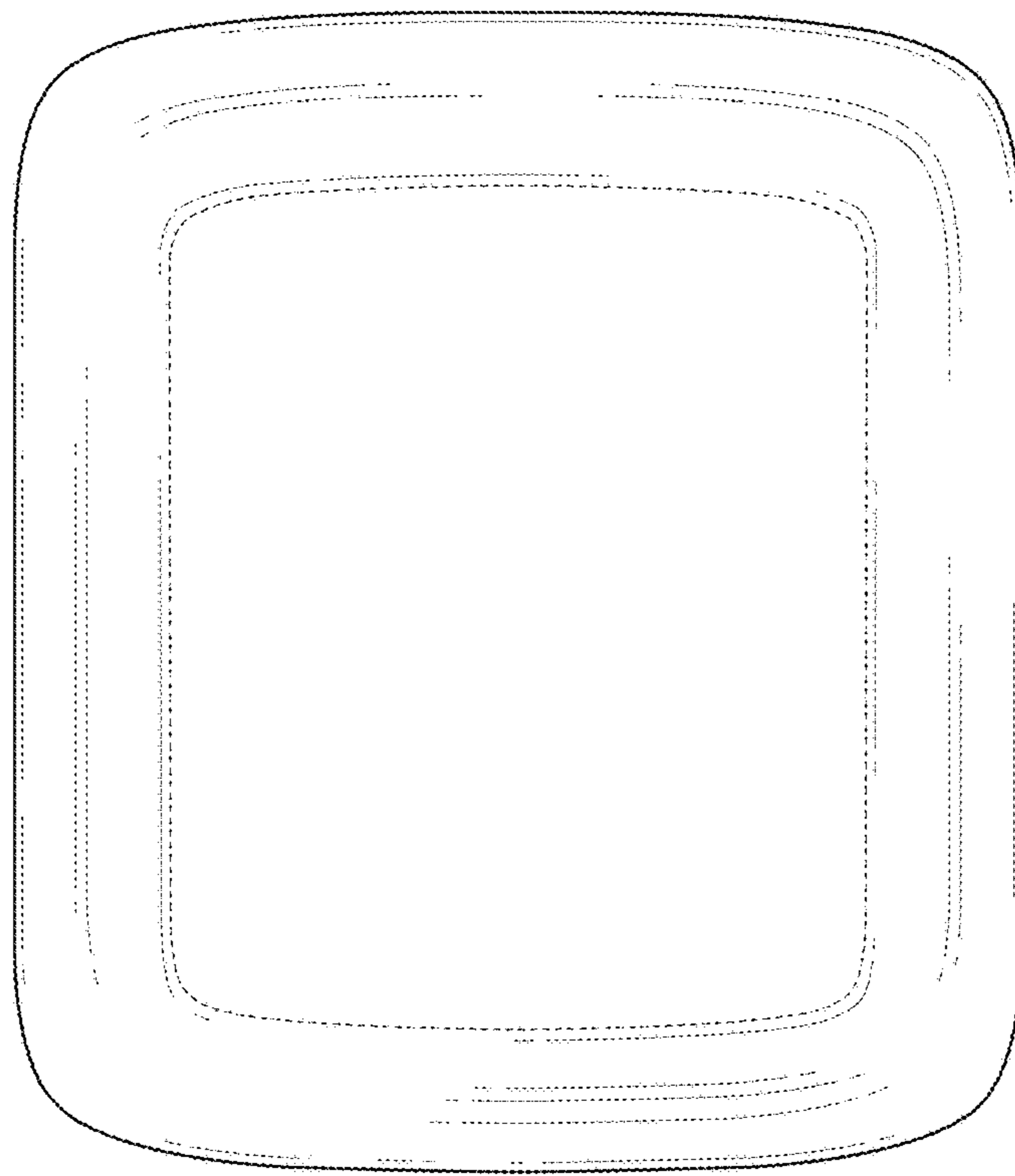


FIG. 2

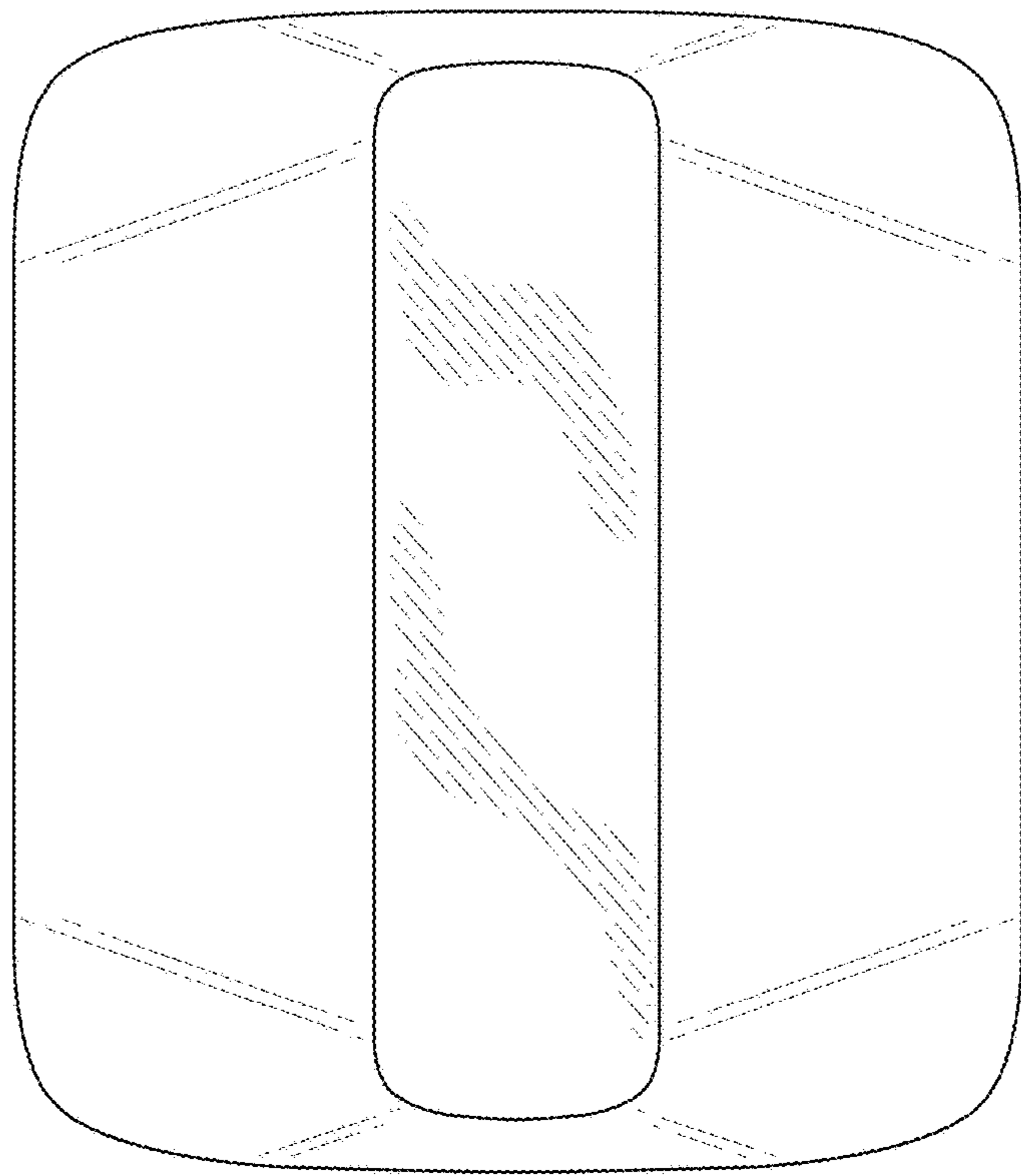


FIG. 3

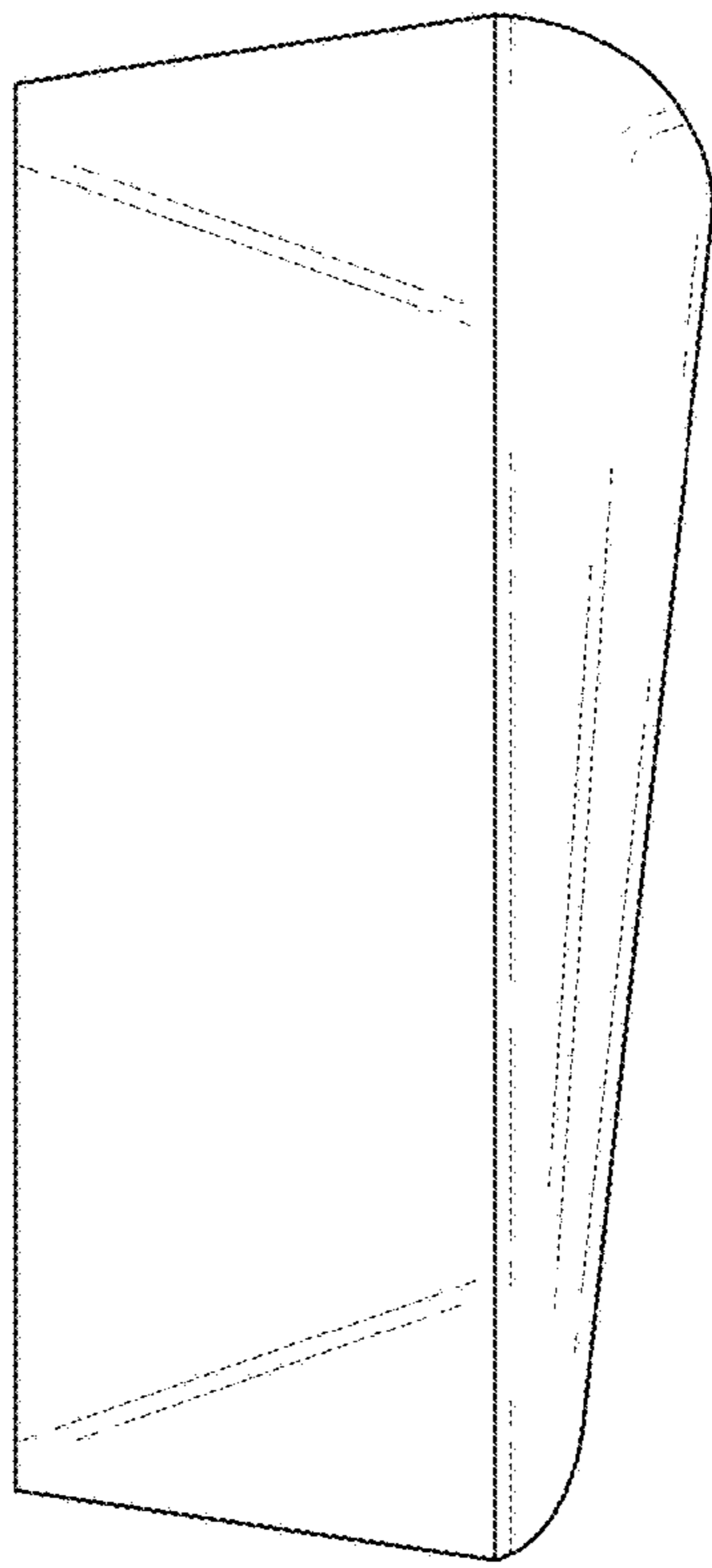


FIG. 4

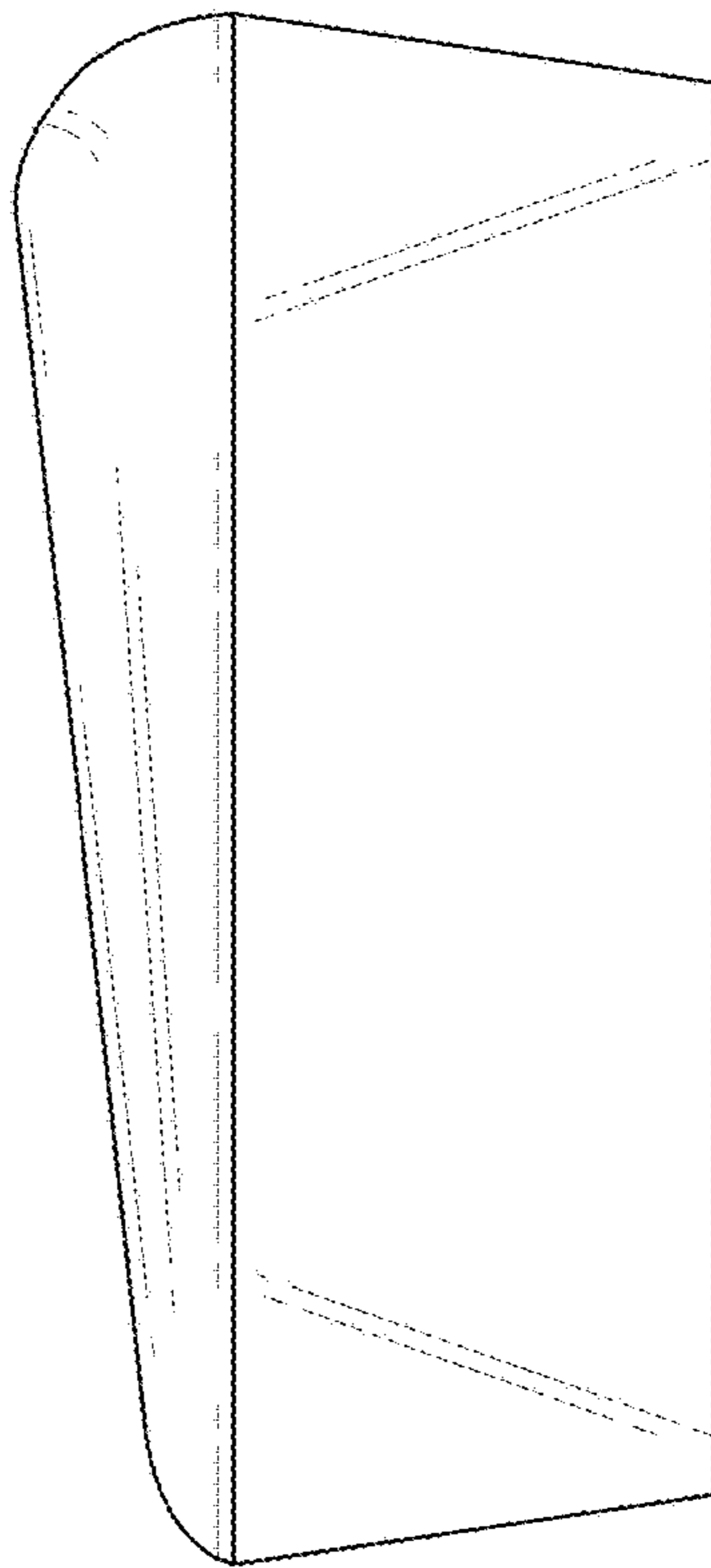


FIG. 5

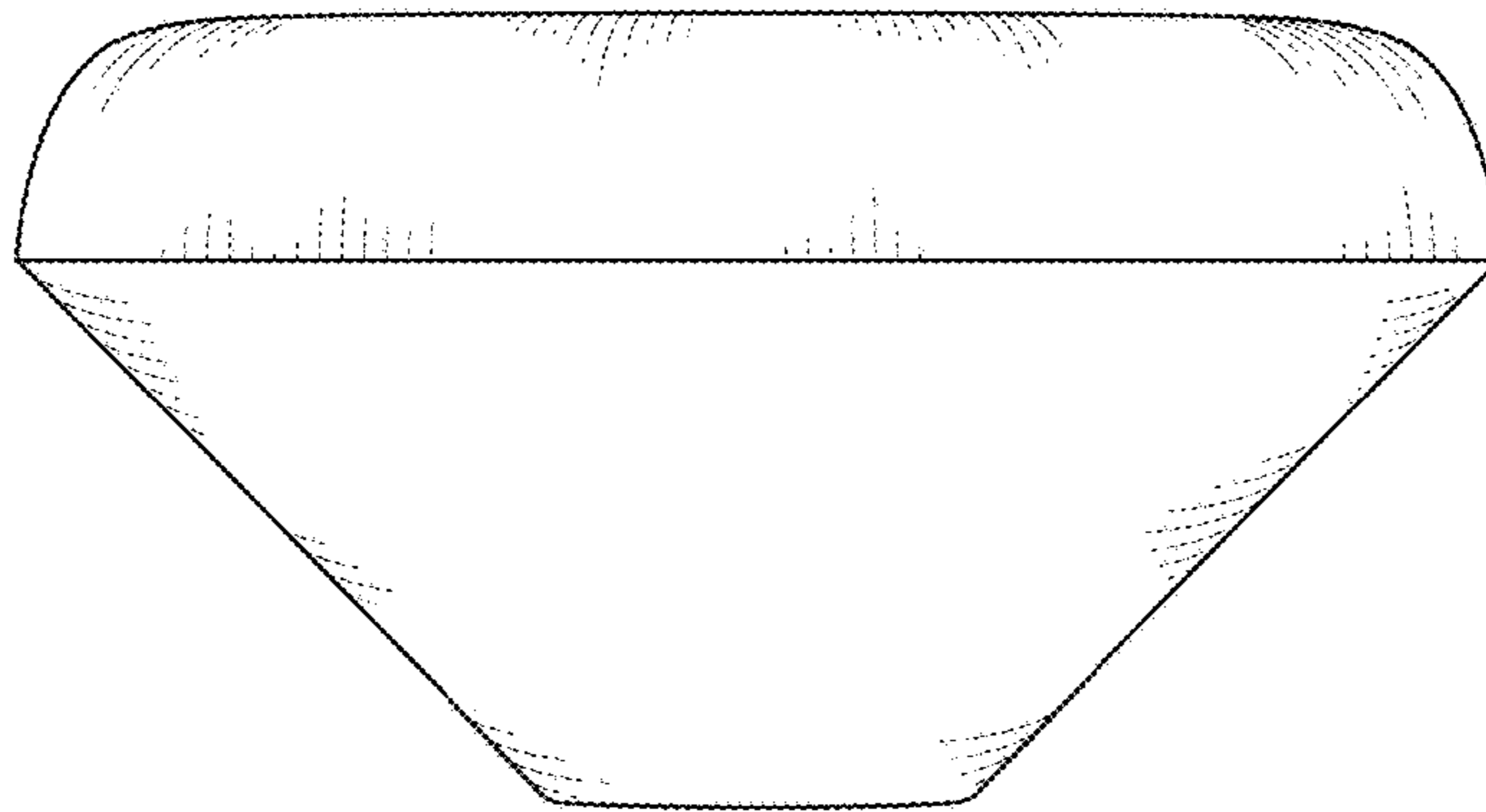


FIG. 6

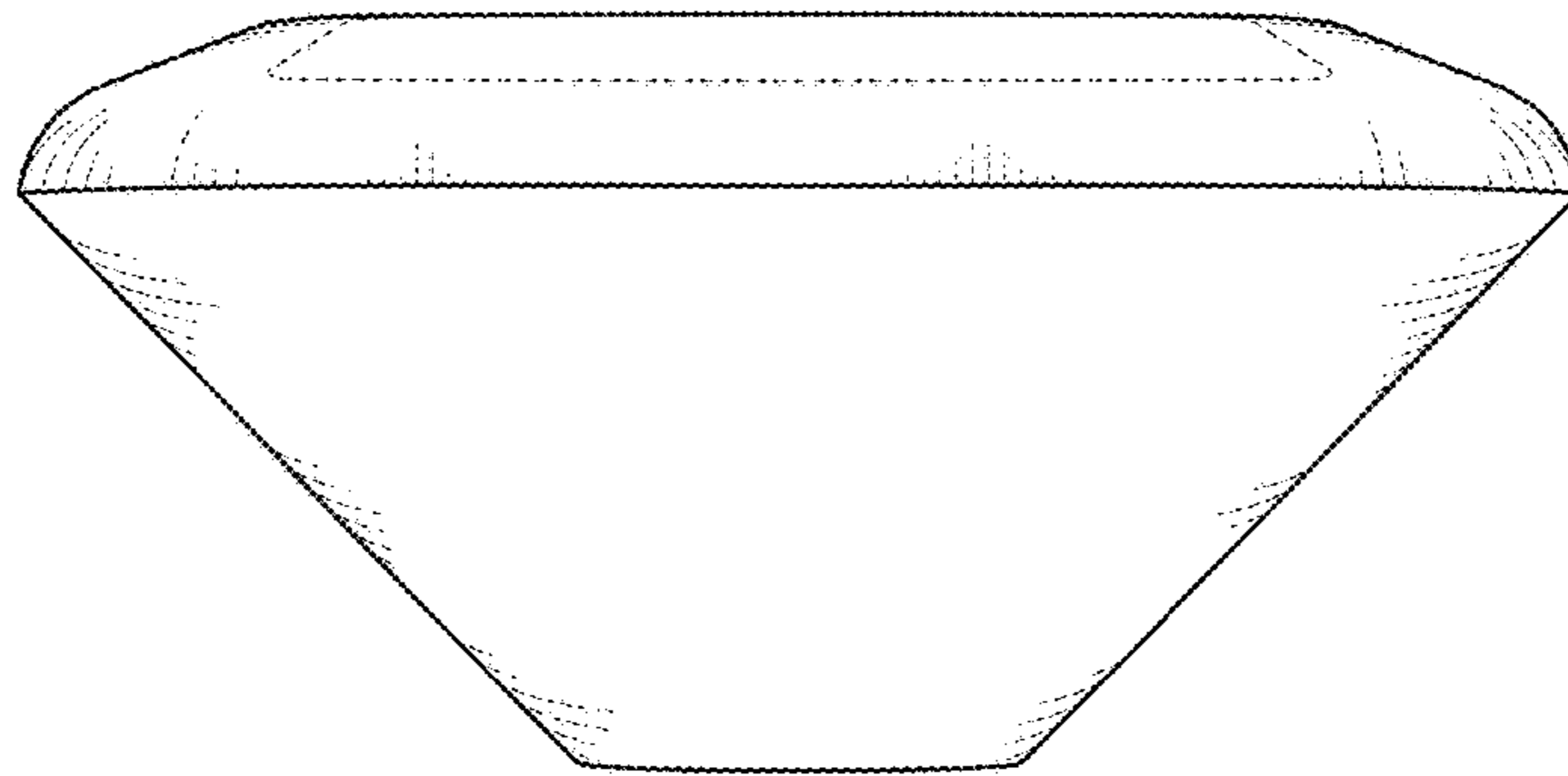


FIG. 7

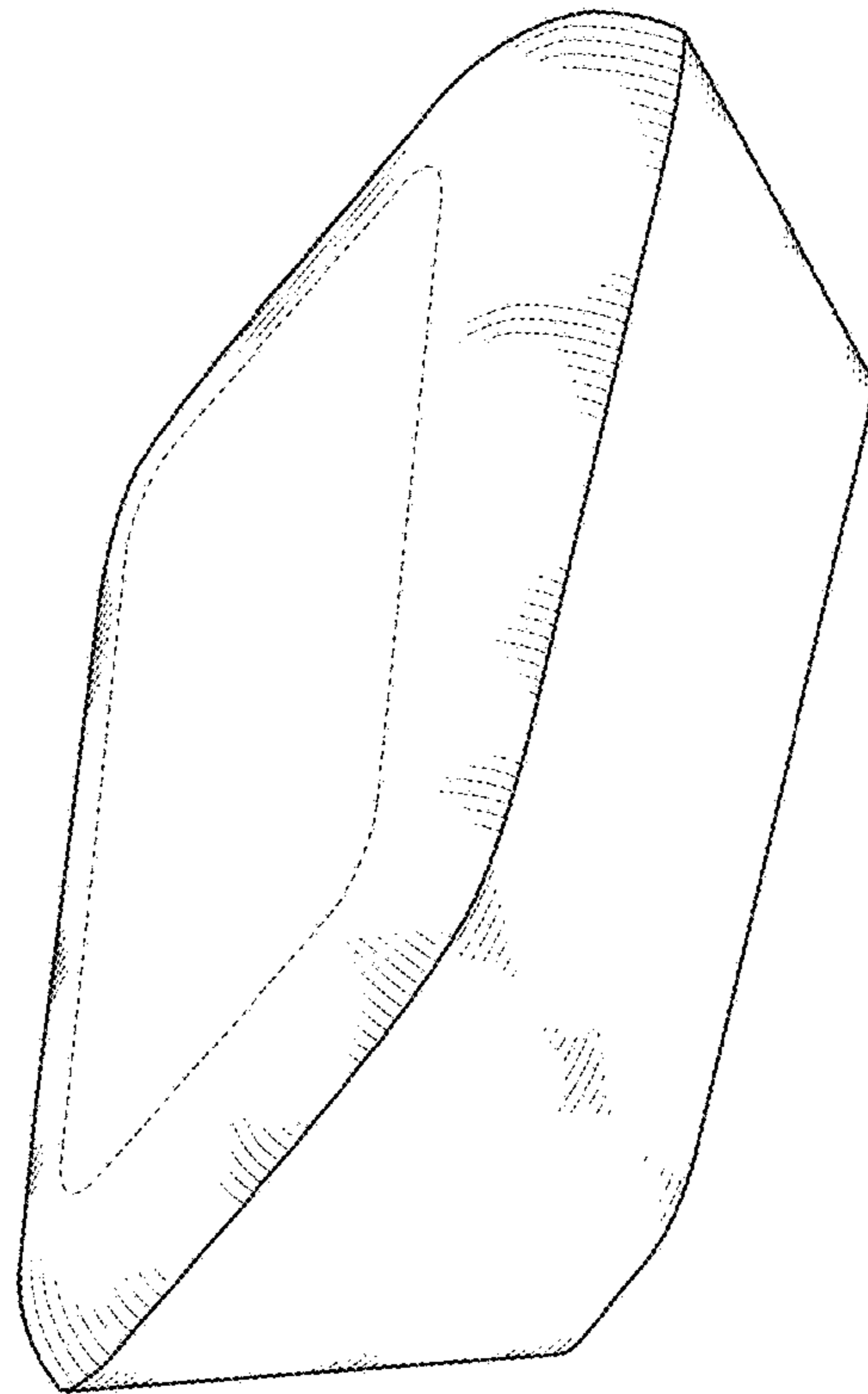


FIG. 8