



US00D841502S

(12) **United States Design Patent**  
**Wu**

(10) **Patent No.:** **US D841,502 S**

(45) **Date of Patent:** **\*\* Feb. 26, 2019**

(54) **ELECTRONIC SCALE**

(71) Applicant: **OHAUS Instruments (Changzhou) Co., Ltd.**, Changzhou, Jiangsu (CN)

(72) Inventor: **Jian Wu**, Shanghai (CN)

(73) Assignee: **OHAUS INSTRUMENTS (CHANGZHOU) CO., LTD.**, Changzhou, Jiangsu (CN)

(\*\*) Term: **15 Years**

(21) Appl. No.: **29/610,962**

(22) Filed: **Jul. 18, 2017**

(51) **LOC (11) Cl.** ..... **10-04**

(52) **U.S. Cl.**  
USPC ..... **D10/91**

(58) **Field of Classification Search**  
USPC ..... D10/91  
CPC .... G01G 21/28; G01G 21/283; G01G 21/286;  
G01G 21/30; G01G 23/37; G01G  
23/3728; G01G 23/3735

See application file for complete search history.

(56) **References Cited**

**U.S. PATENT DOCUMENTS**

8,067,705 B2 \* 11/2011 Izumo ..... G01G 21/30  
177/180  
8,203,086 B2 \* 6/2012 Izumo ..... G01G 21/30  
177/180

D727,766 S \* 4/2015 Wu ..... D10/91  
D727,767 S \* 4/2015 Wu ..... D10/91  
D787,965 S \* 5/2017 Pan ..... D10/91  
D787,966 S \* 5/2017 Pan ..... D10/91

\* cited by examiner

*Primary Examiner* — Antoine Duval Davis

(74) *Attorney, Agent, or Firm* — Standley Law Group  
LLP

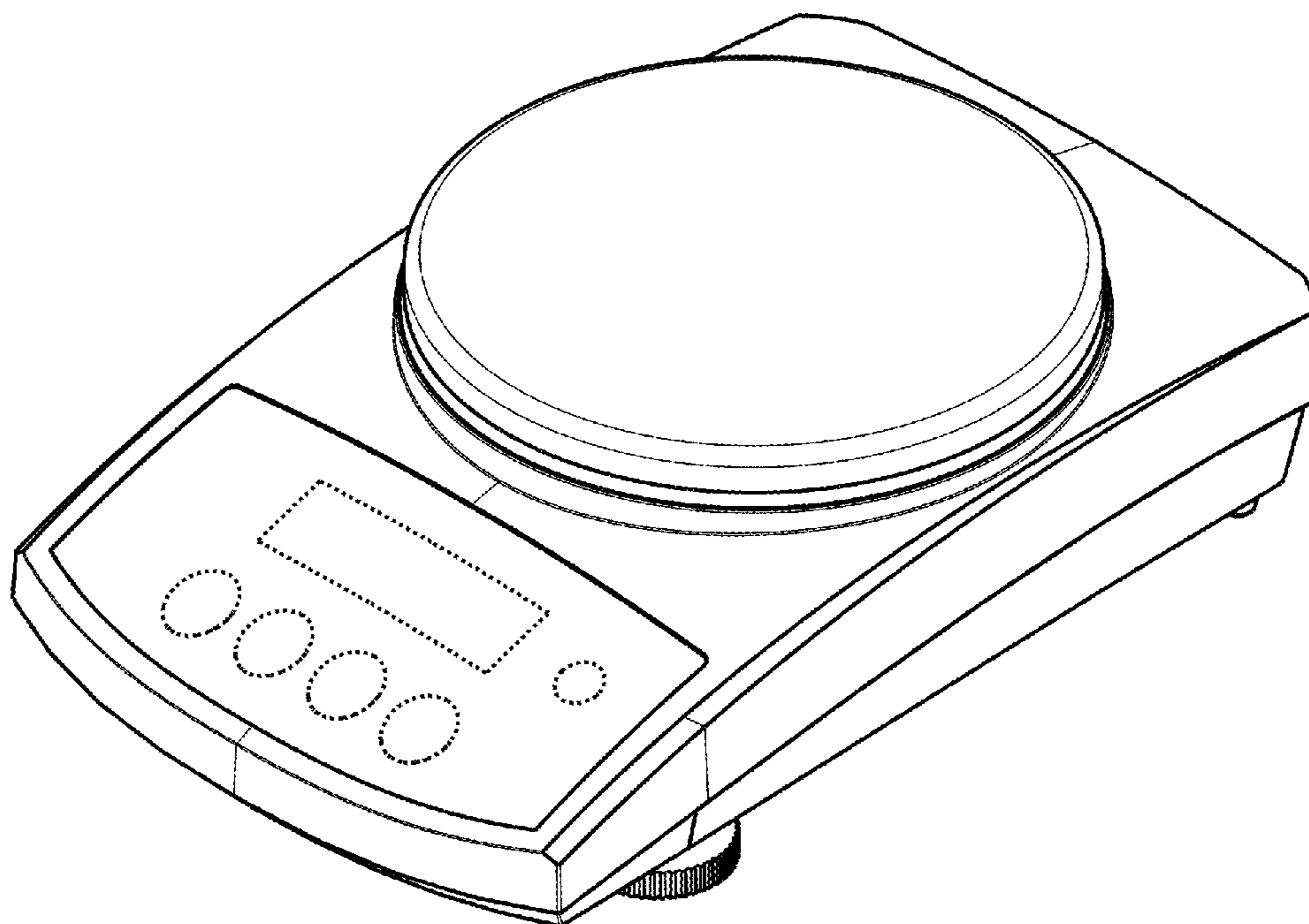
(57) **CLAIM**

The ornamental design for an electronic scale, as shown and described.

**DESCRIPTION**

FIG. 1 is a left front perspective view of the electronic scale; FIG. 2 is a bottom plan view thereof; FIG. 3 is a left side elevation view thereof; FIG. 4 is a front elevation view thereof; FIG. 5 is a top plan view thereof; FIG. 6 is a right side elevation view thereof; and, FIG. 7 is a rear elevation view thereof. The broken lines in the figures depict unclaimed environmental subject matter.

**1 Claim, 7 Drawing Sheets**



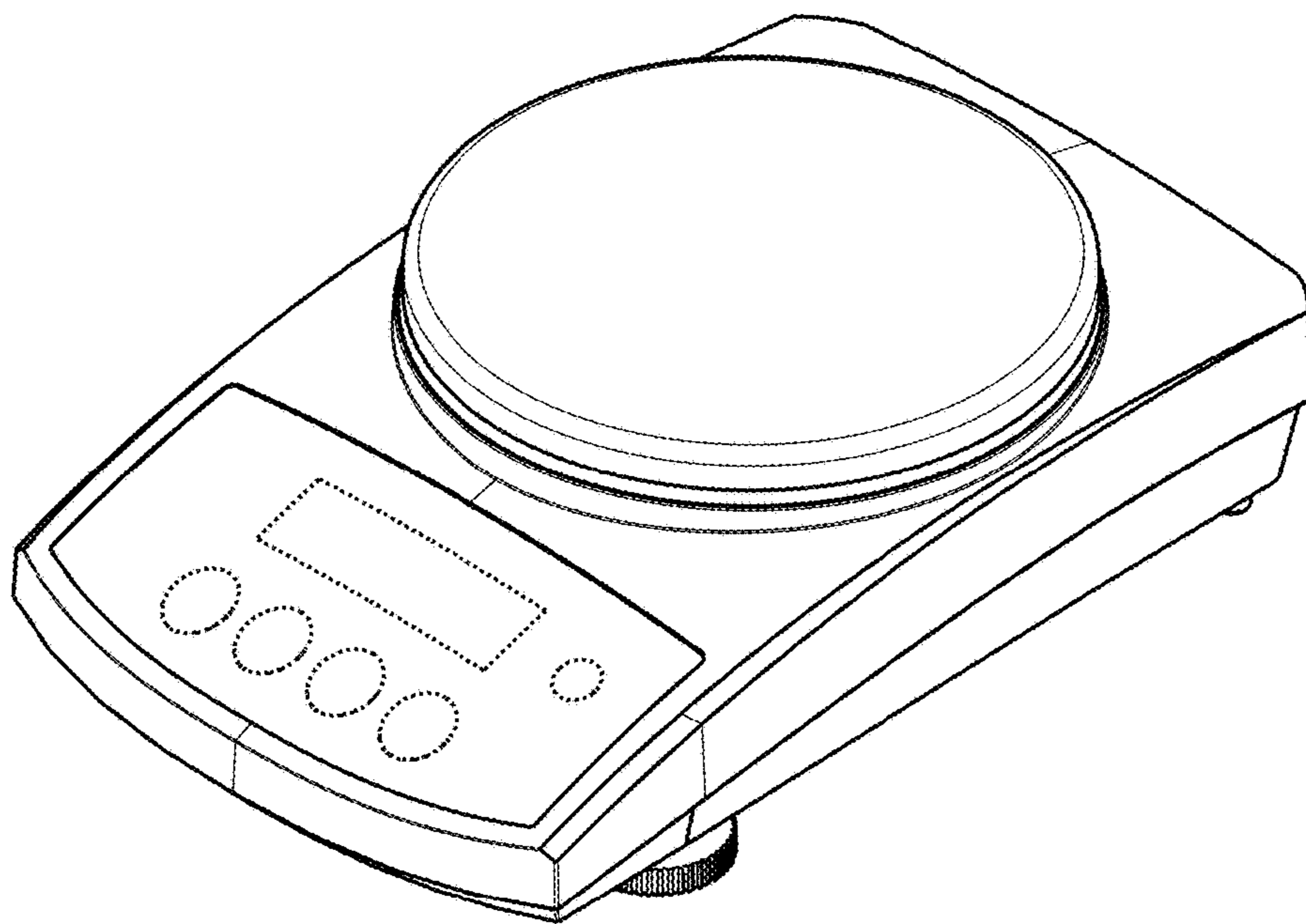


FIG. 1

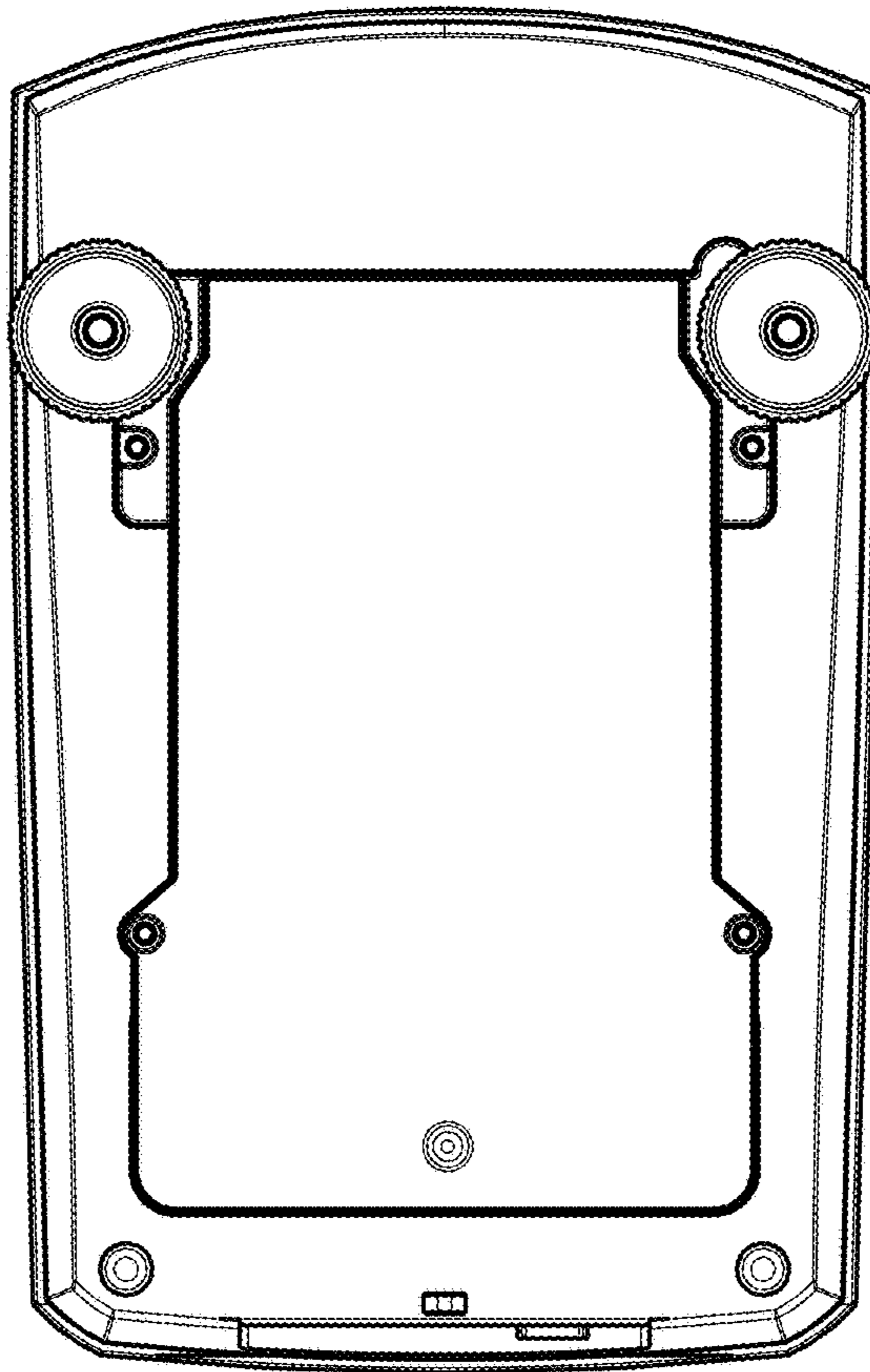


FIG. 2

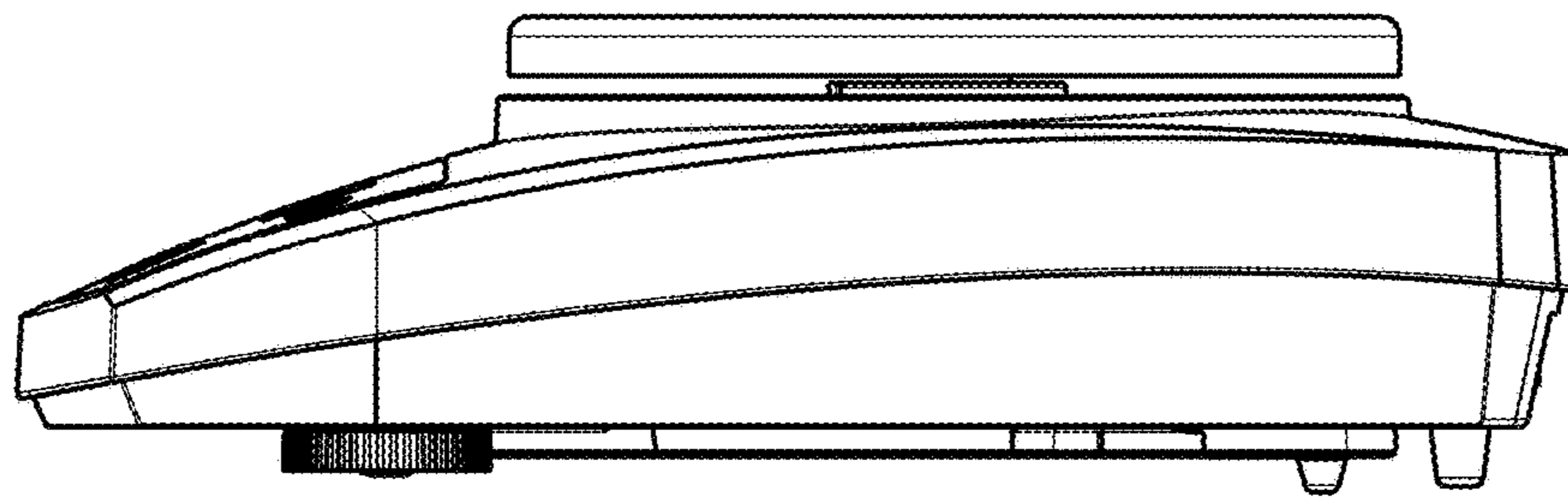


FIG. 3

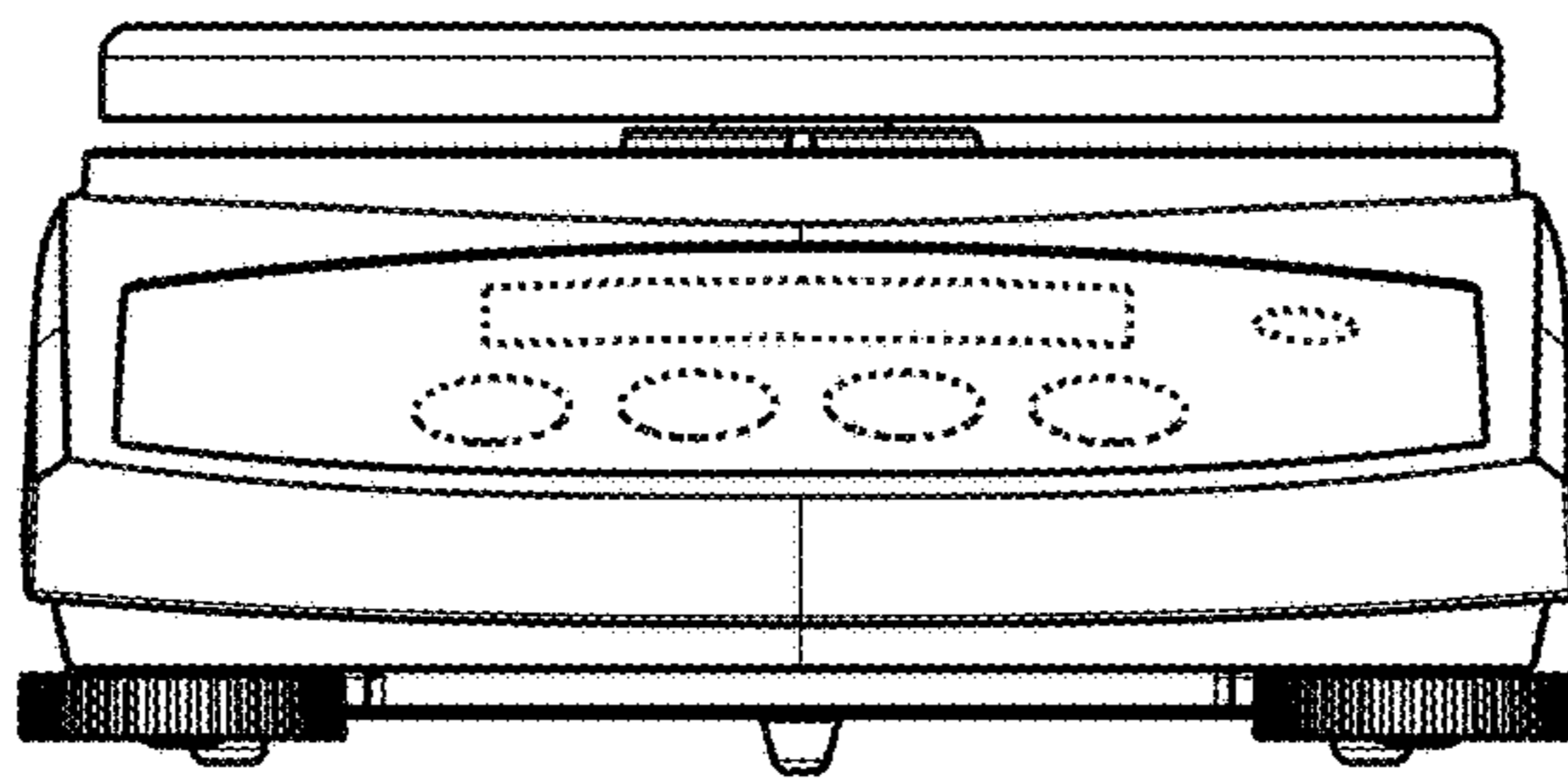


FIG. 4

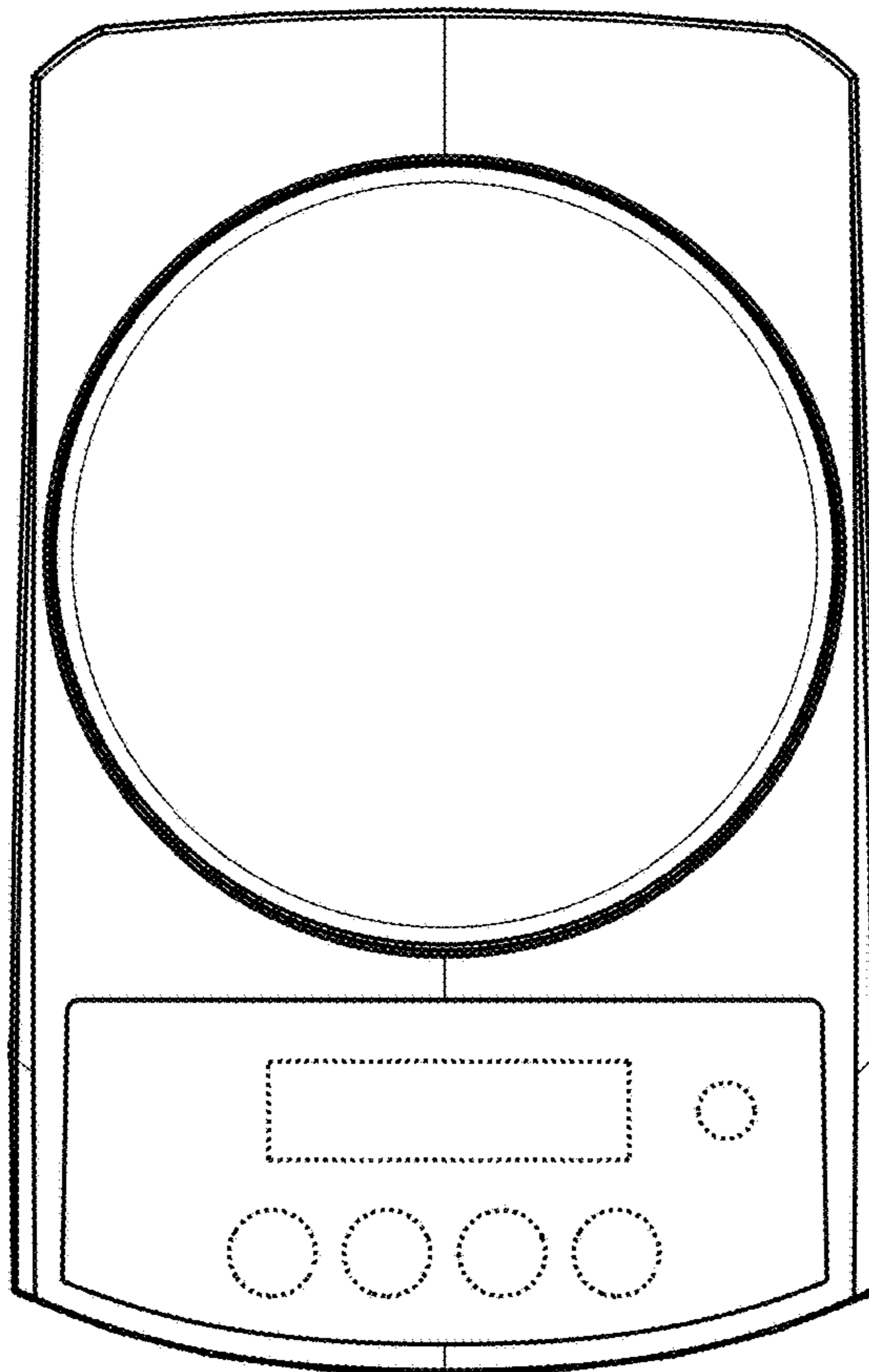


FIG. 5

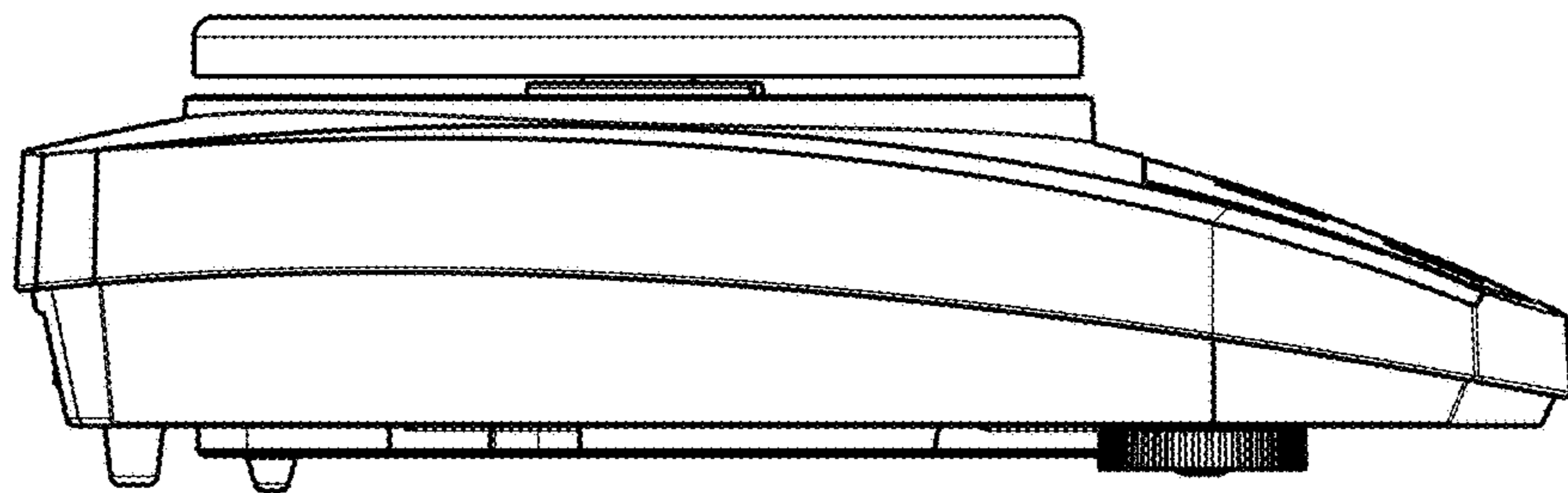


FIG. 6

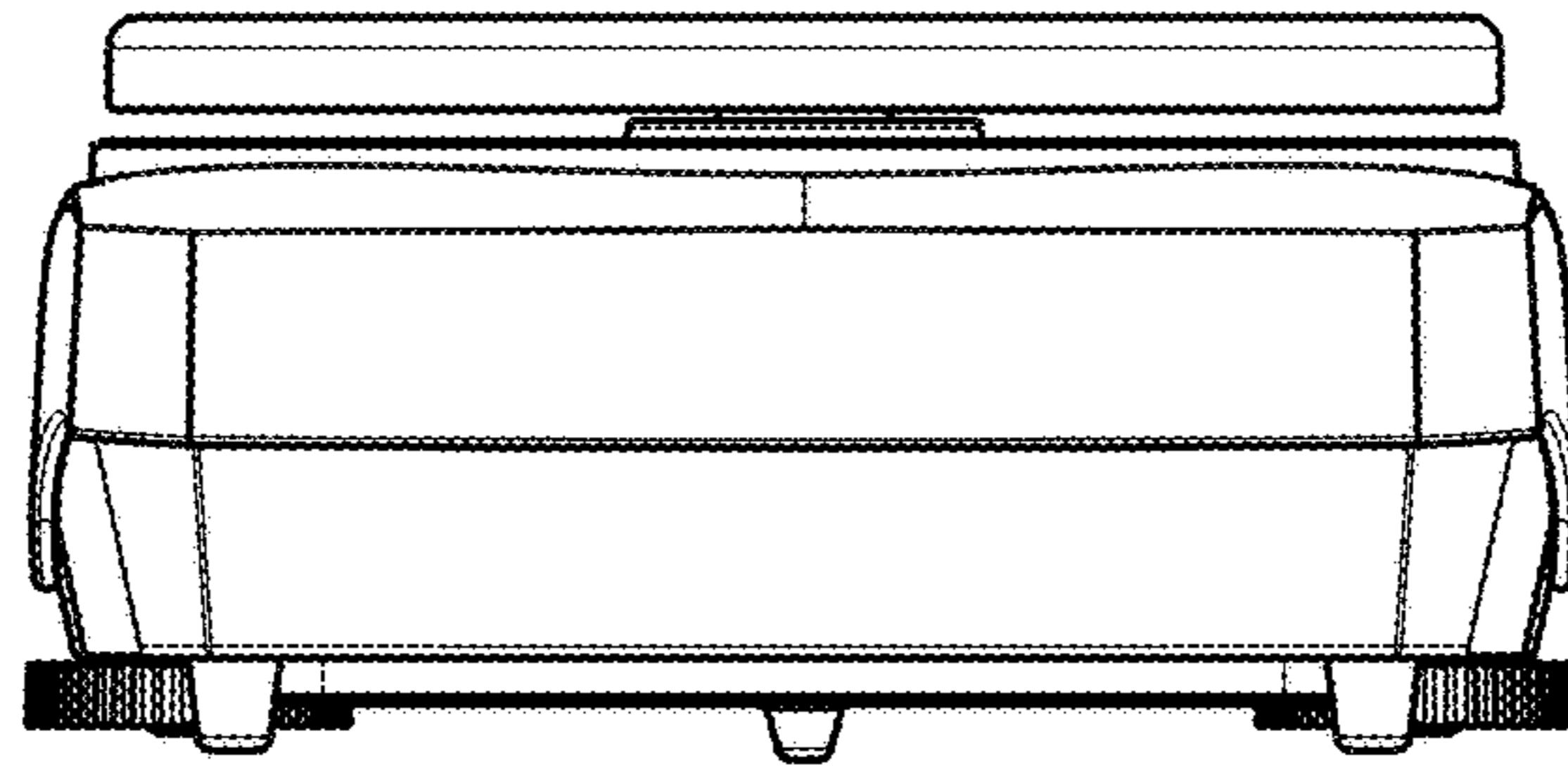


FIG. 7