



US00D841501S

(12) **United States Design Patent** (10) **Patent No.:** **US D841,501 S**  
**Shimizu et al.** (45) **Date of Patent:** **\*\* Feb. 26, 2019**

(54) **SENSOR**

FOREIGN PATENT DOCUMENTS

(71) Applicant: **OMRON Corporation**, Kyoto-shi,  
Kyoto (JP)  
(72) Inventors: **Tetsu Shimizu**, Ayabe (JP); **Takamasa Kameda**, Kameoka (JP); **Koyo Ozaki**,  
Kyoto (JP); **Hiroshi Tasaki**, Kyoto  
(JP); **Takashi Muramatsu**,  
Fukuchiyama (JP); **Yuki Marumoto**,  
Ayabe (JP)  
(73) Assignee: **OMRON Corporation**, Tokyo (JP)

DE 402013100506-0001 8/2013  
DE 402013100506-0002 8/2013  
DE 402013100506-0003 8/2013  
DE 402013100506-0004 8/2013  
DE 402013100506-0005 8/2013  
DE 402013100506-0006 8/2013  
DE 402013100506-0007 8/2013  
DE 402013100506-0008 8/2013  
DE 402013100506-0009 8/2013  
DE 402013100506-0010 8/2013  
DE 402013101242-0009 3/2014  
DE 402013101242-0008 8/2014

(Continued)

(\*\*) Term: **15 Years**

*Primary Examiner* — Antoine Duval Davis  
(74) *Attorney, Agent, or Firm* — Capitol City TechLaw

(21) Appl. No.: **29/616,612**

(57) **CLAIM**

(22) Filed: **Sep. 7, 2017**

The ornamental design for a sensor, as shown and described.

(30) **Foreign Application Priority Data**

**DESCRIPTION**

Jun. 6, 2017 (JP) ..... 2017-012145  
Jun. 6, 2017 (JP) ..... 2017-012146

(51) **LOC (11) Cl.** ..... **10-04**

(52) **U.S. Cl.**  
USPC ..... **D10/85**

(58) **Field of Classification Search**  
USPC ..... D10/85; 73/718, 723, 724, 756, 861.52,  
73/861.53  
CPC ..... G01L 17/00; G01L 17/08; G01L 17/083;  
G01L 17/086; G01L 17/14; Y10T  
137/3677

See application file for complete search history.

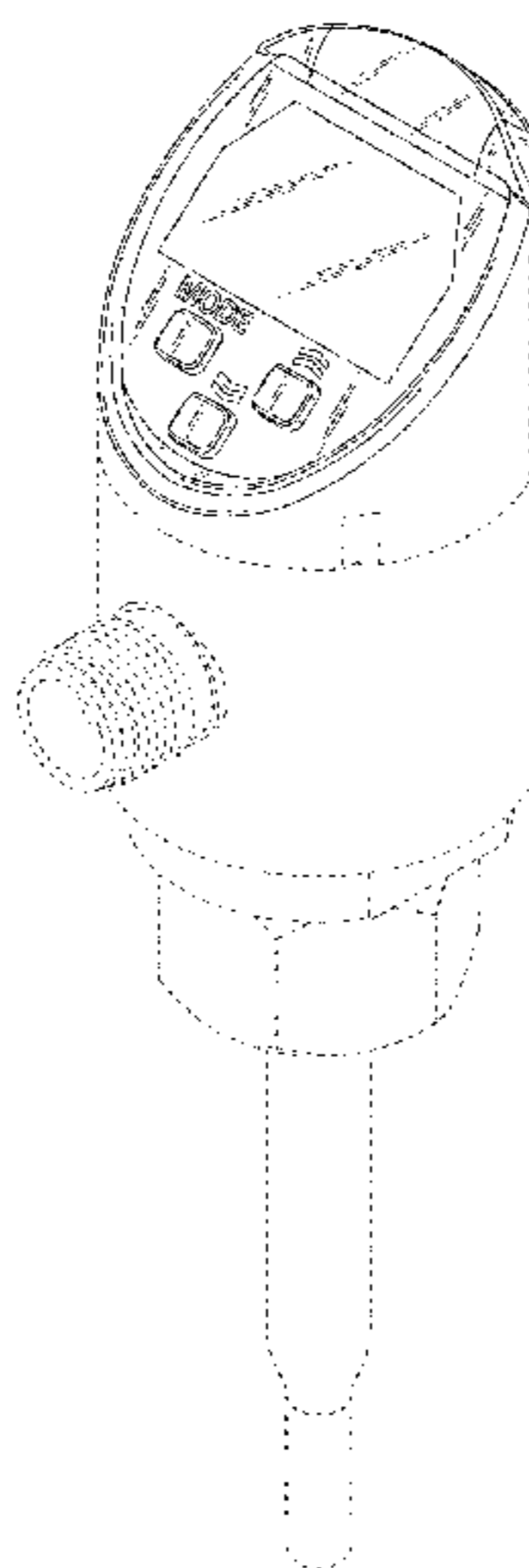
FIG. 1 is a top, front, and right side perspective view of a first embodiment of a sensor showing our new design;  
FIG. 2 is a top and front perspective view thereof;  
FIG. 3 is a front view thereof;  
FIG. 4 is a rear view thereof;  
FIG. 5 is a left side view thereof;  
FIG. 6 is a right side view thereof;  
FIG. 7 is a top view thereof;  
FIG. 8 is a top, front, and right side perspective view of a second embodiment of a sensor showing our new design;  
FIG. 9 is a top and front perspective view thereof;  
FIG. 10 is a front view thereof;  
FIG. 11 is a rear view thereof;  
FIG. 12 is a left side view thereof;  
FIG. 13 is a right side view thereof; and,  
FIG. 14 is a top view thereof.  
The broken lines in the figures show portions of the sensor that form no part of the claimed design.

(56) **References Cited**

U.S. PATENT DOCUMENTS

D551,105 S 9/2007 Brasse et al.  
D644,948 S \* 9/2011 Dreyer ..... D10/85  
D724,981 S 3/2015 Schreiber et al.

**1 Claim, 14 Drawing Sheets**



(56)

**References Cited**

FOREIGN PATENT DOCUMENTS

EM	002075325-0001	7/2012
EM	002075325-0002	7/2012
EM	002075325-0003	7/2012
EM	002075325-0004	7/2012
EM	002075325-0005	7/2012
EM	002075325-0006	7/2012
EM	002075325-0007	7/2012

\* cited by examiner

Fig. 1

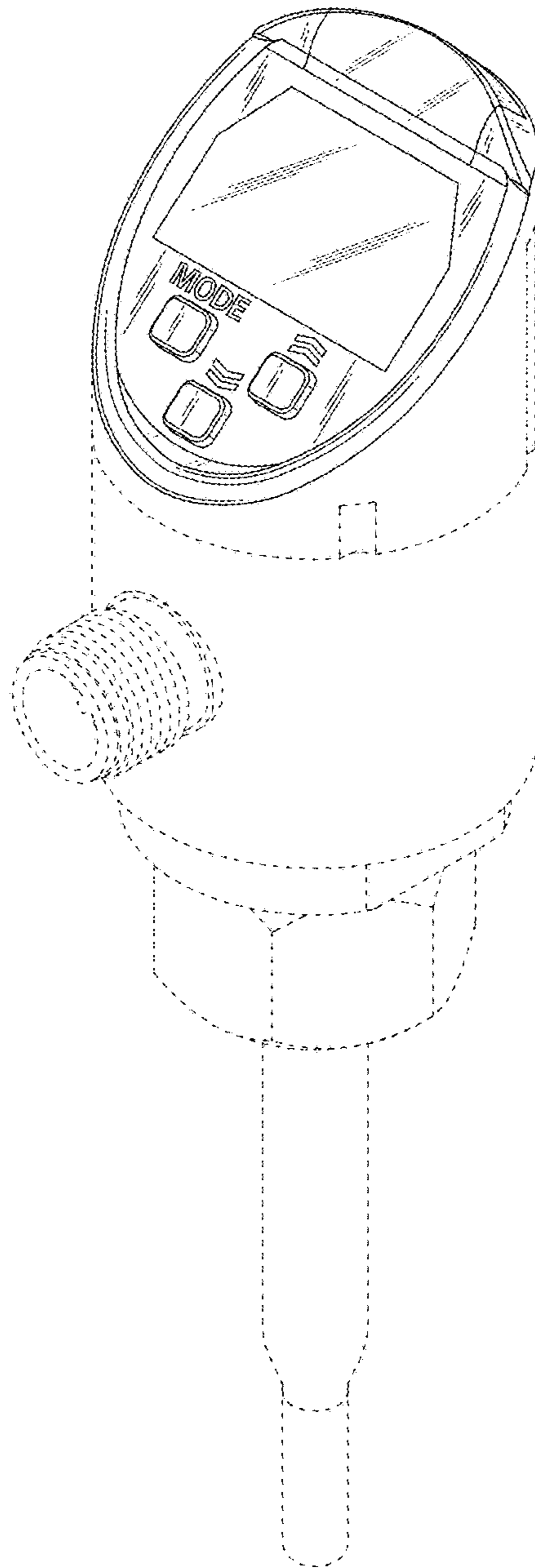


Fig. 2

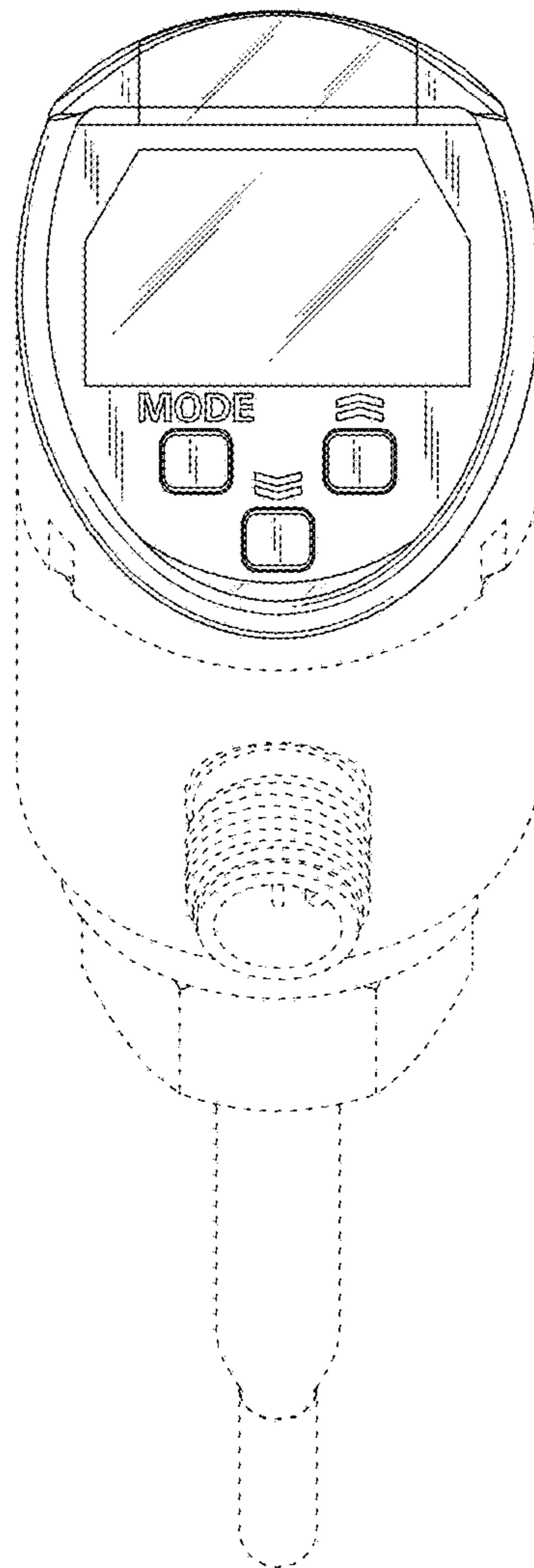


Fig. 3

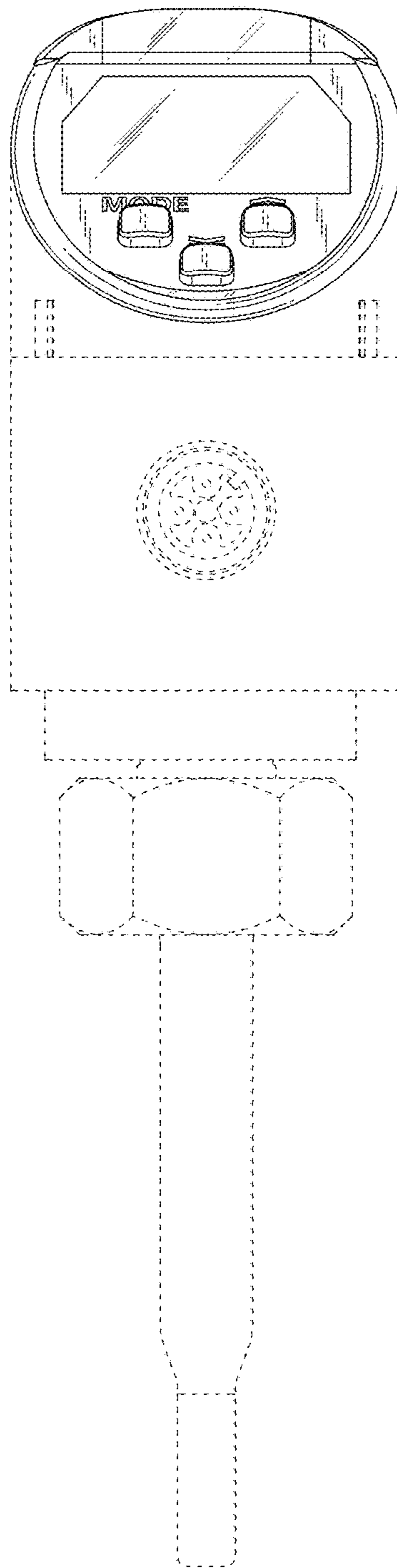


Fig. 4

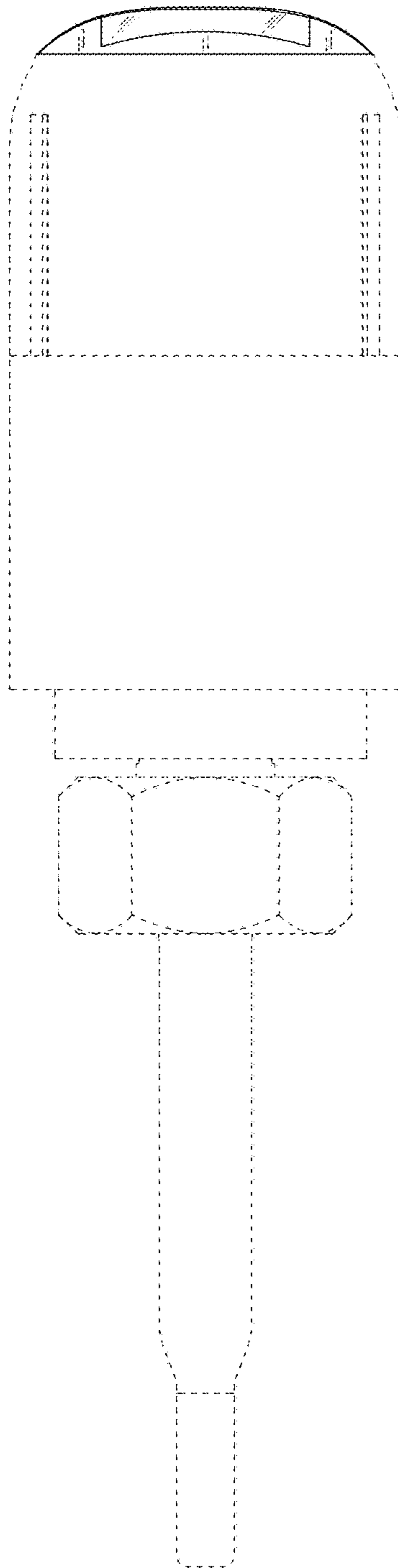


Fig. 5

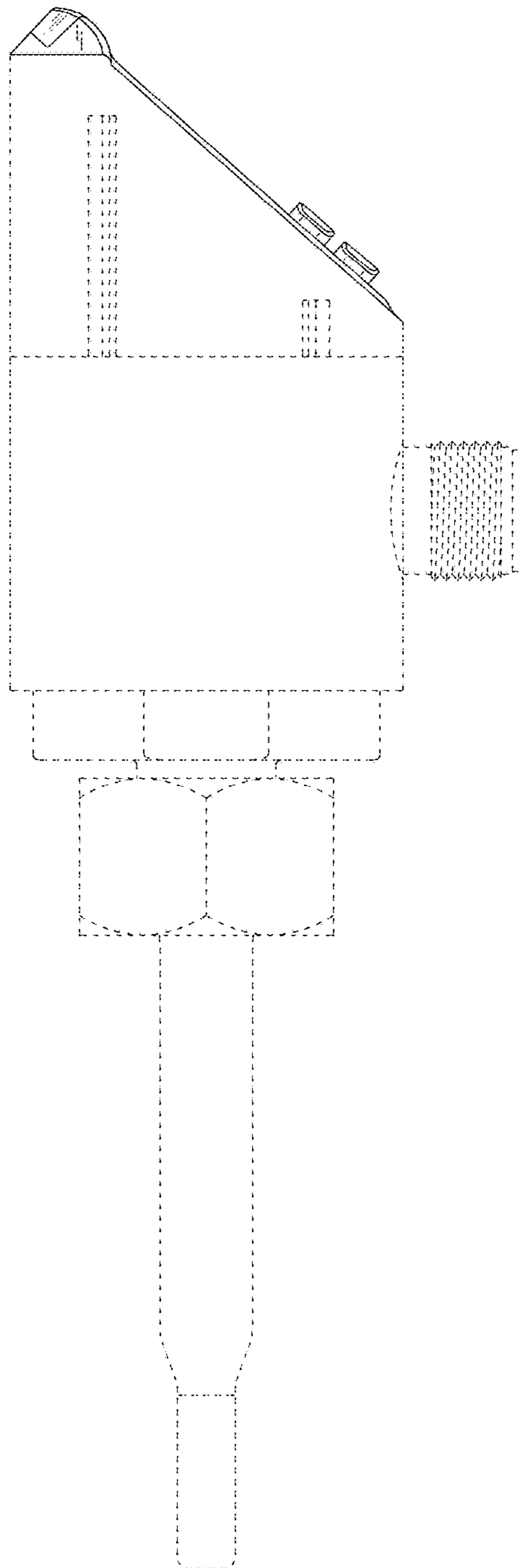


Fig. 6

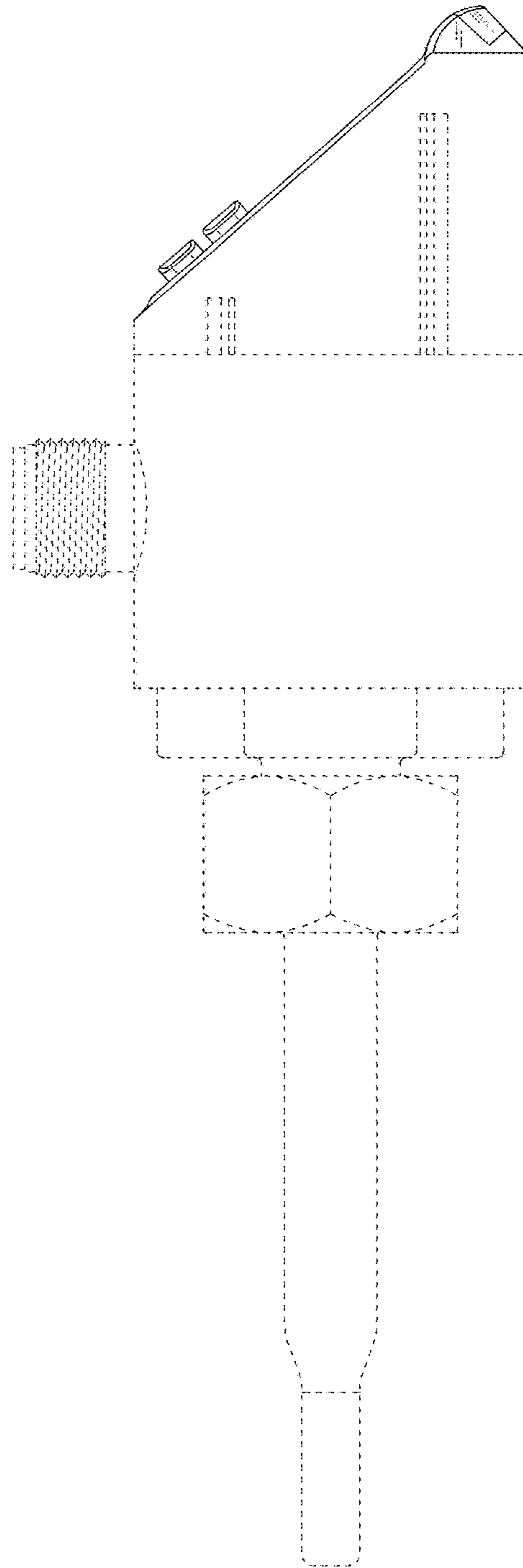




Fig. 7

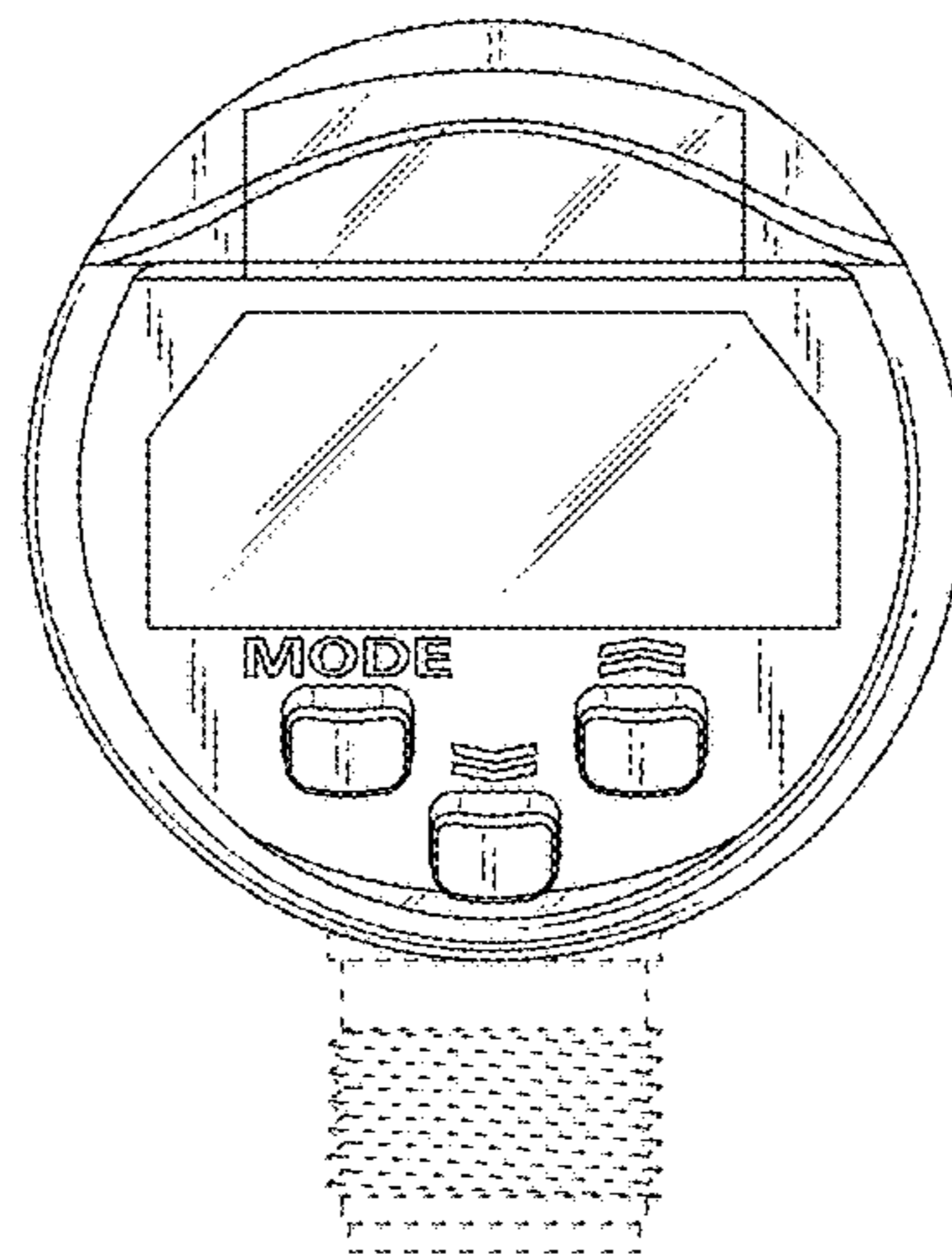


Fig. 8

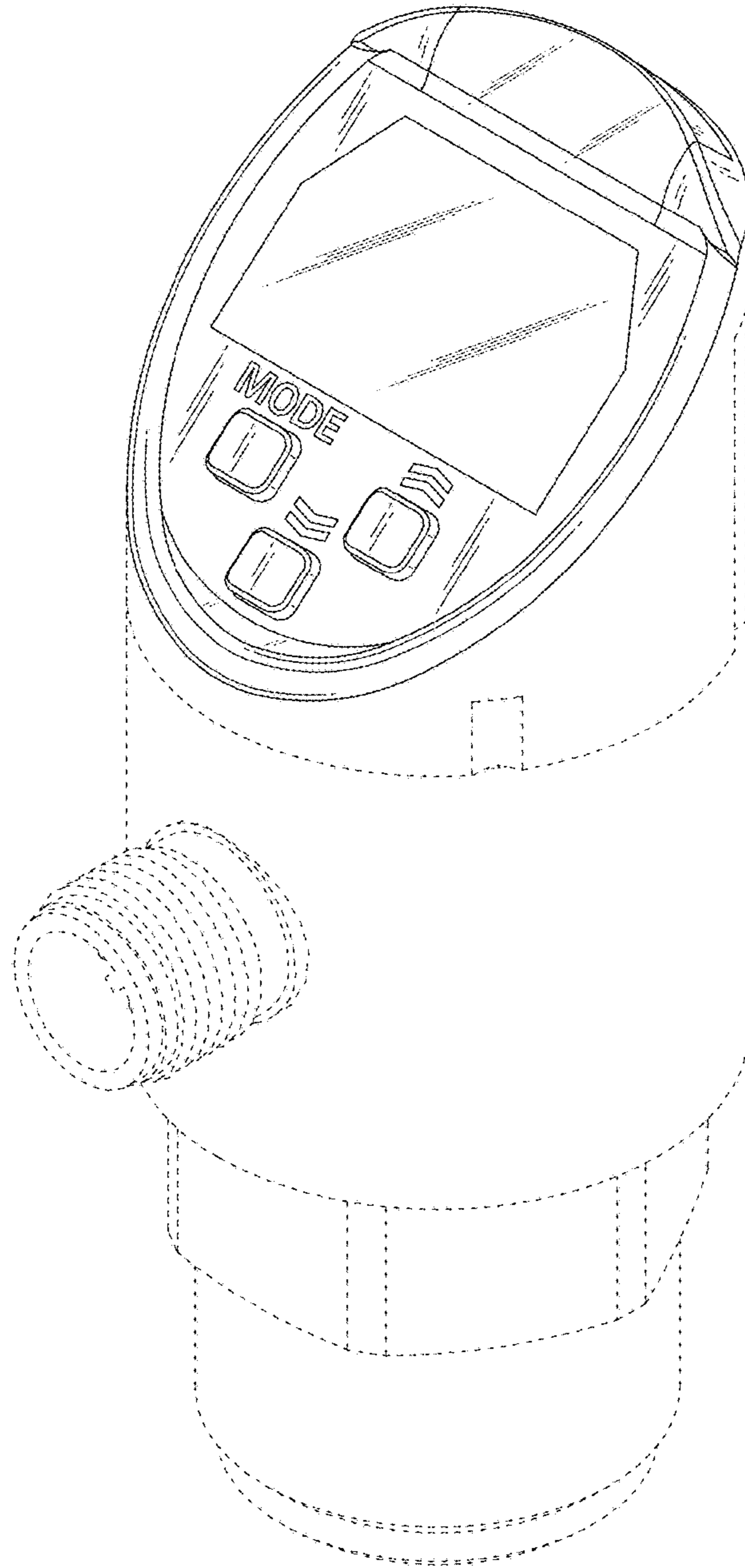


Fig. 9

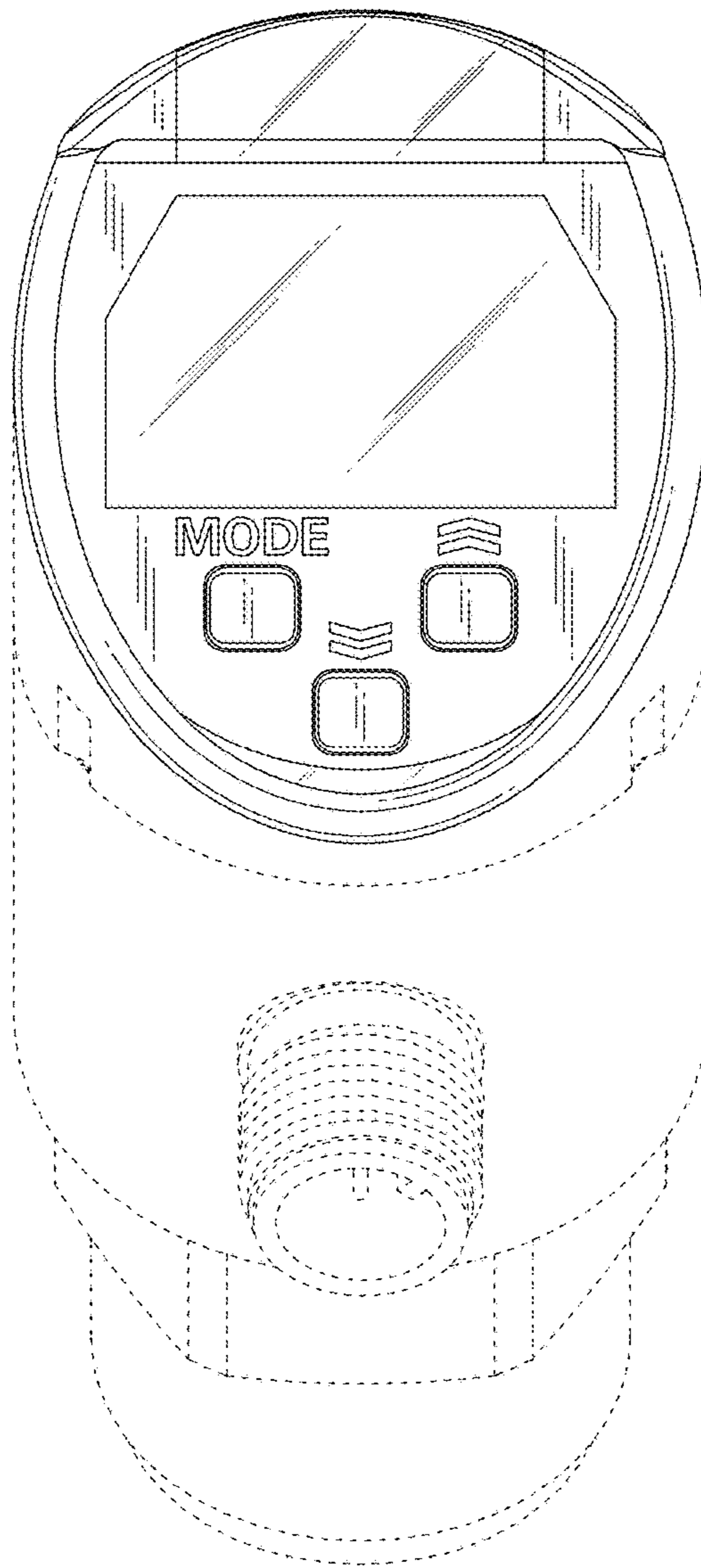


Fig. 10

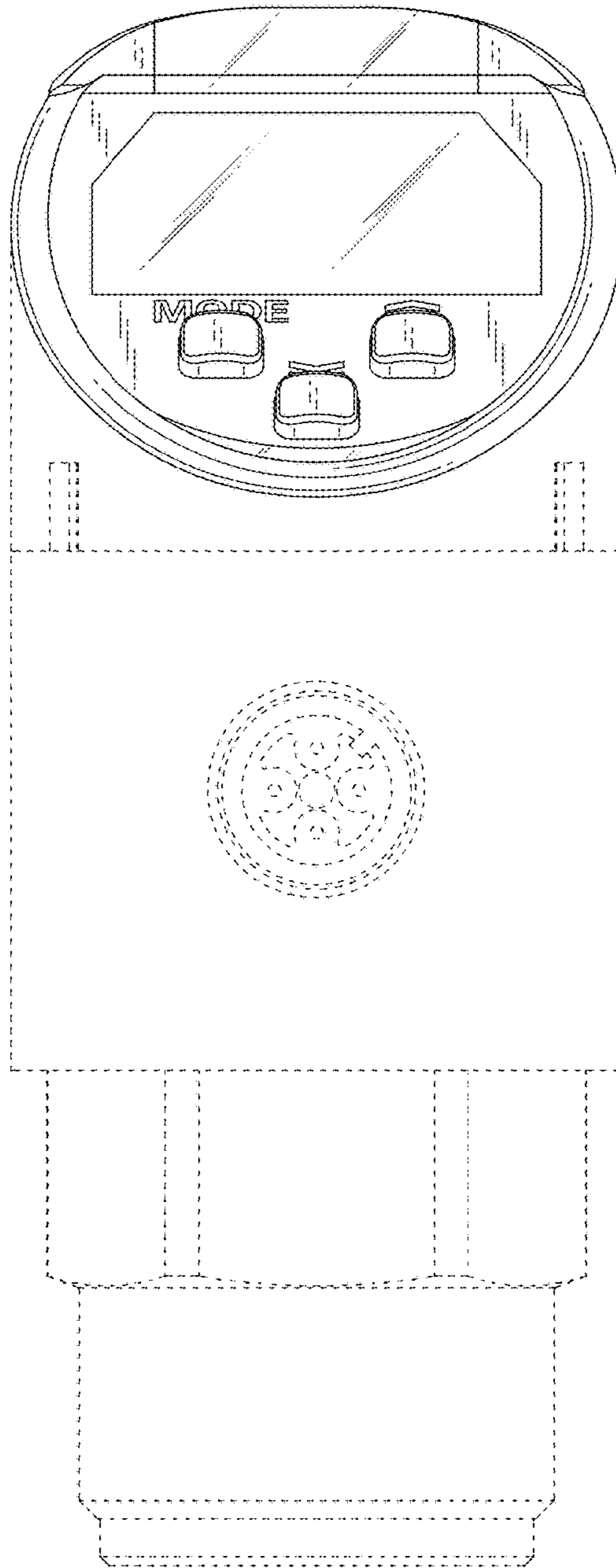


Fig. 11

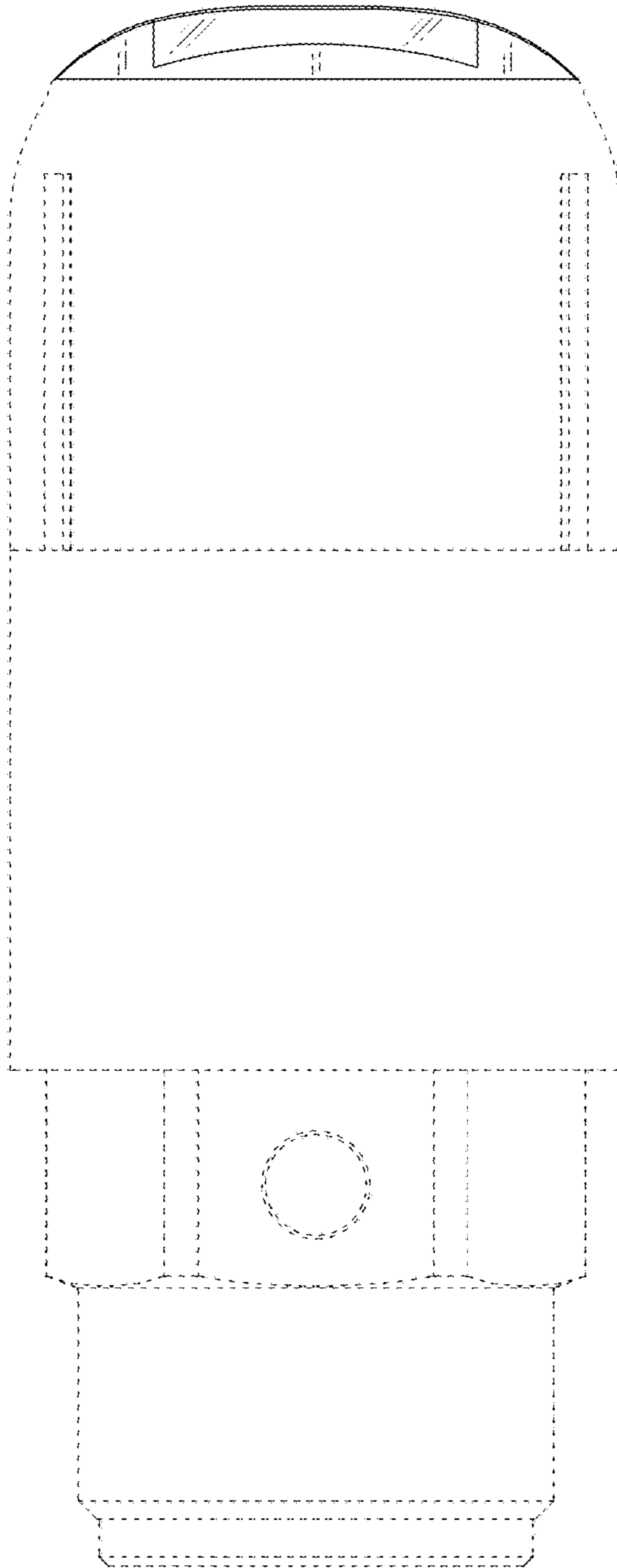


Fig. 12

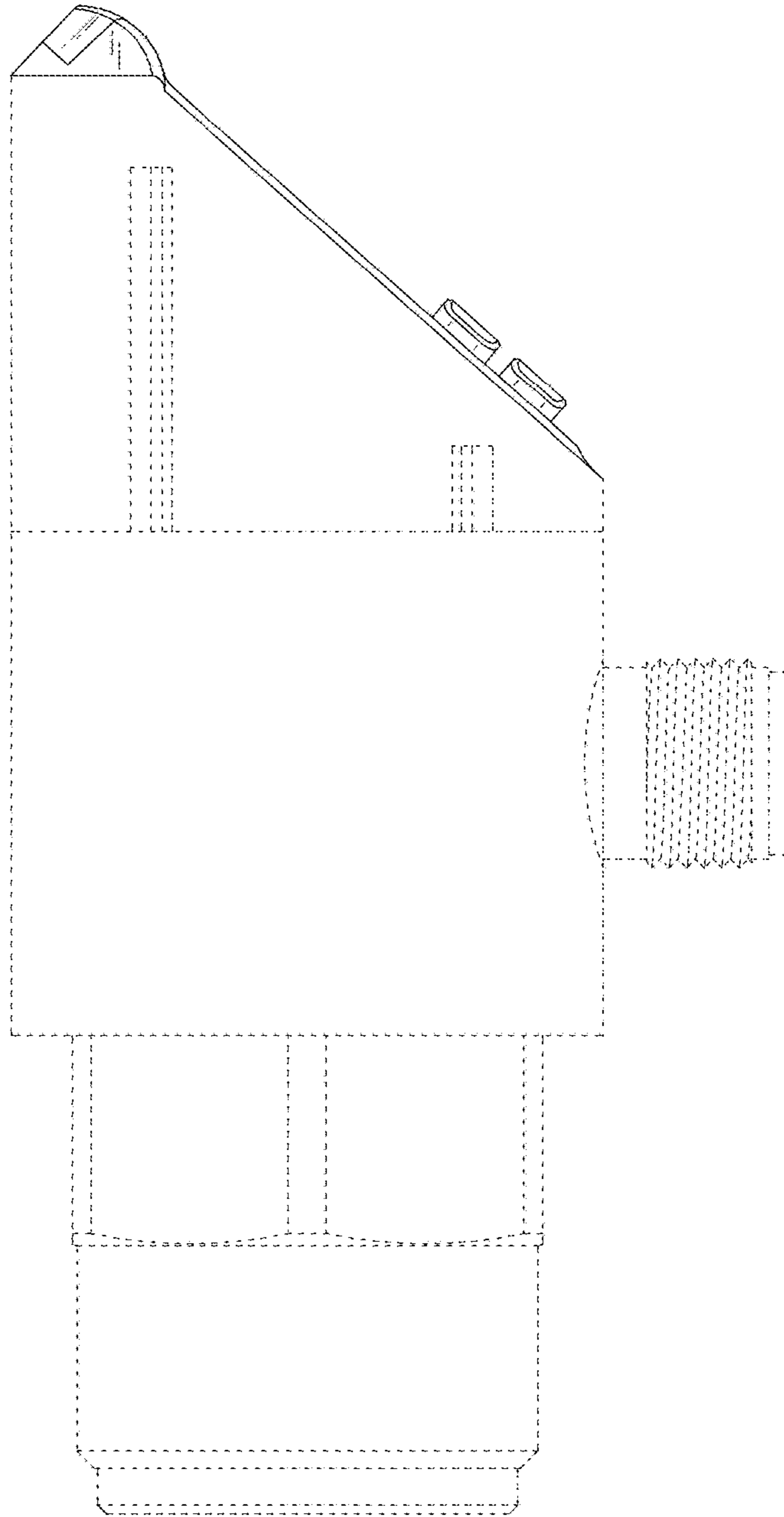


Fig. 13

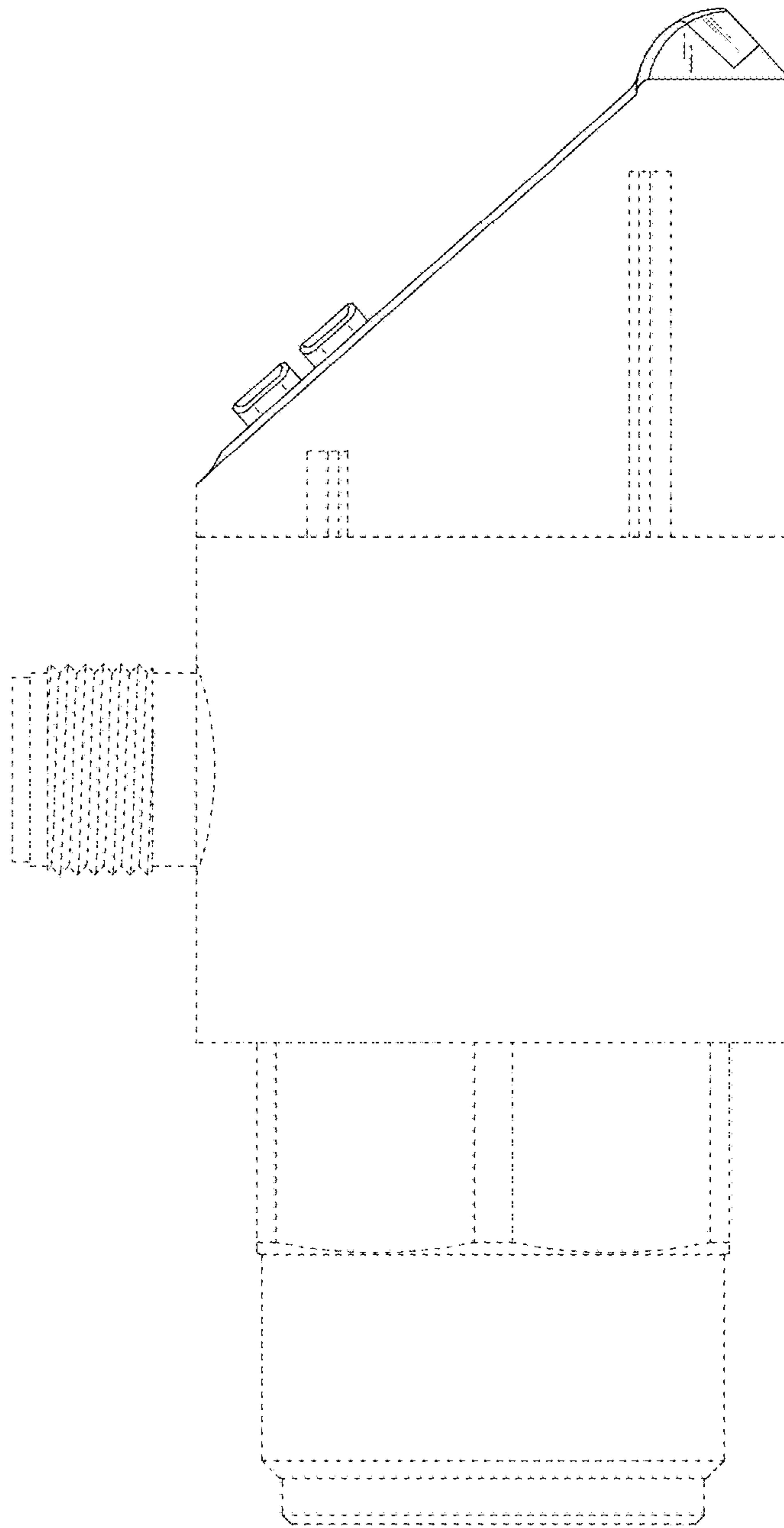


Fig. 14

